



US00D732631S

(12) **United States Design Patent**  
**Cheng et al.**

(10) **Patent No.:** **US D732,631 S**

(45) **Date of Patent:** **\*\* Jun. 23, 2015**

(54) **MODULAR SCOPE MOUNT**

(71) Applicants: **Carson Cheng**, City of Industry, CA (US); **Jason Michael Cheng**, City of Industry, CA (US)

(72) Inventors: **Carson Cheng**, City of Industry, CA (US); **Jason Michael Cheng**, City of Industry, CA (US)

(73) Assignee: **NCSTAR INC.**, City of Industry, CA (US)

(\*\*) Term: **14 Years**

(21) Appl. No.: **29/479,740**

(22) Filed: **Jan. 19, 2014**

(51) **LOC (10) Cl.** ..... **22-01**

(52) **U.S. Cl.**  
USPC ..... **D22/109**

(58) **Field of Classification Search**  
USPC ..... D22/108-109; 89/111-113; 359/399, 359/823, 744; 42/104, 105, 111-113, 116, 42/120, 124-129, 141-148, 133-140; 33/227, 229  
CPC ..... F41G 1/00; F41G 1/01; F41G 1/02; F41G 1/06; F41G 1/065; F41G 1/08; F41G 1/10; F41G 1/12; F41G 1/14; F41G 1/30; F41G 1/32; F41G 1/38; F41G 1/40; F41G 1/42; F41G 1/44; F41G 1/46; F41G 1/383; F41G 1/387; F41G 1/393; F41G 3/00; F41G 3/005; F41G 3/02; F41G 3/04; F41G 3/06; F41G 3/14; F41G 11/002; F41G 11/003; F41G 11/004; F41G 11/005

See application file for complete search history.

(56) **References Cited**

**U.S. PATENT DOCUMENTS**

D259,944 S \* 7/1981 Burris ..... D22/110  
4,367,606 A \* 1/1983 Bechtel ..... 42/127  
4,501,071 A \* 2/1985 Manske ..... 42/127  
D317,344 S \* 6/1991 Klumpp ..... D22/110

5,033,219 A \* 7/1991 Johnson et al. .... 42/115  
D383,826 S \* 9/1997 Weigand ..... D22/110  
D554,730 S \* 11/2007 Coggins ..... D22/110  
D632,753 S \* 2/2011 Leighton et al. .... D22/109  
D683,809 S \* 6/2013 Kasanjian-King ..... D22/108  
D713,921 S \* 9/2014 Williams et al. .... D22/109  
D715,393 S \* 10/2014 Williams et al. .... D22/109  
2008/0034638 A1 \* 2/2008 Spuhr ..... 42/127

\* cited by examiner

*Primary Examiner* — Michael A Pratt

(74) *Attorney, Agent, or Firm* — Raymond Y. Chan; David and Raymond Patent Firm

(57) **CLAIM**

The ornamental design for a modular scope mount, as shown and described.

**DESCRIPTION**

FIG. 1 is a perspective view of a first top mount of a modular scope mount showing my new design.

FIG. 2 is a front view of the first top mount of the modular scope mount.

FIG. 3 is a rear view of the first top mount of the modular scope mount.

FIG. 4 is a left view of the first top mount of the modular scope mount.

FIG. 5 is a right view of the first top mount of the modular scope mount.

FIG. 6 is a top view of the first top mount of the modular scope mount.

FIG. 7 is a bottom view of the first top mount of the modular scope mount.

FIG. 8 is a perspective view of a second top mount of the modular scope mount showing my new design.

FIG. 9 is a front view of the second top mount of the modular scope mount.

FIG. 10 is a rear view of the second top mount of the modular scope mount.

FIG. 11 is a left view of the second top mount of the modular scope mount.

FIG. 12 is a right view of the second top mount of the modular scope mount.

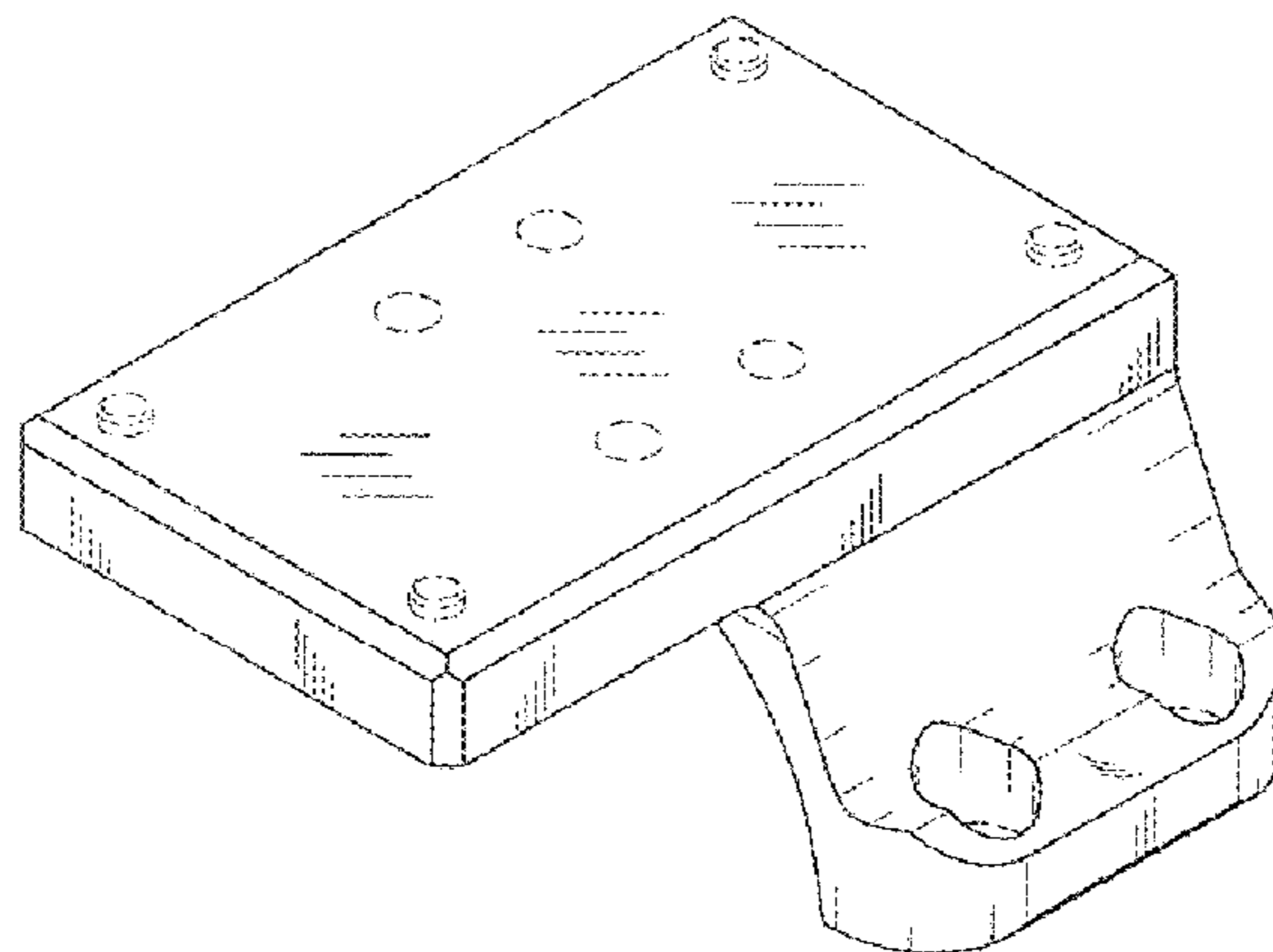


FIG. 13 is a top view of the second top mount of the modular scope mount.

FIG. 14 is a bottom view of second first top mount of the modular scope mount.

FIG. 15 is a perspective view of a third top mount of the modular scope mount showing my new design.

FIG. 16 is a front view of the third top mount of the modular scope mount.

FIG. 17 is a rear view of the third top mount of the modular scope mount.

FIG. 18 is a left view of the third top mount of the modular scope mount.

FIG. 19 is a right view of the third top mount of the modular scope mount.

FIG. 20 is a top view of the third top mount of the modular scope mount.

FIG. 21 is a bottom view of the third top mount of the modular scope mount.

FIG. 22 is a perspective view of a base mount of the modular scope mount showing my new design.

FIG. 23 is a front view of the base mount of the modular scope mount.

FIG. 24 is a rear view of the base mount of the modular scope mount.

FIG. 25 is a left view of the base mount of the modular scope mount.

FIG. 26 is a right view of the base mount of the modular scope mount.

FIG. 27 is a top view of the base mount of the modular scope mount.

FIG. 28 is a bottom view of the base mount of the modular scope mount.

FIG. 29 is a perspective view of the modular scope mount, showing the first and third top mounts selectively and interchangeably mounted on the base mount that the first and third top mounts can be mounted at the front and rear portions of

the base mount respectively, or the first and third top mounts can be mounted at the rear and front portions of the base mount respectively.

FIG. 30 is a perspective view of the modular scope mount, showing the second and third top mounts selectively and interchangeably mounted on the base mount that the second and third top mounts can be mounted at the front and rear portions of the base mount respectively, or the second and third top mounts can be mounted at the rear and front portions of the base mount respectively.

FIG. 31 is a perspective view of the modular scope mount, showing the first and second top mounts selectively and interchangeably mounted on the base mount that the first and second top mounts can be mounted at the front and rear portions of the base mount respectively, or the first and second top mounts can be mounted at the rear and front portions of the base mount respectively.

FIG. 32 is a perspective view of the modular scope mount modulated with the first top mount, the third top mount, and the base mount, showing the modular scope mounted being coupled with a scope and on a clipping mechanism, and showing a microdot being coupled on the first top mount.

FIG. 33 is a perspective view of the modular scope mount modulated with the first top mount, the third top mount, and the base mount, showing the modular scope mounted being coupled with a scope and on a handle, and showing a microdot being coupled on the first top mount.

FIG. 34 is a perspective view of the modular scope mount, showing the two third top mounts mounted on the base mount; and,

FIG. 35 is a perspective view of the modular scope mount, showing the two second top mounts mounted on the base mount.

The broken line portion of the figure drawings is included to show unclaimed subject matter only and forms no part of the claimed design.

**1 Claim, 16 Drawing Sheets**

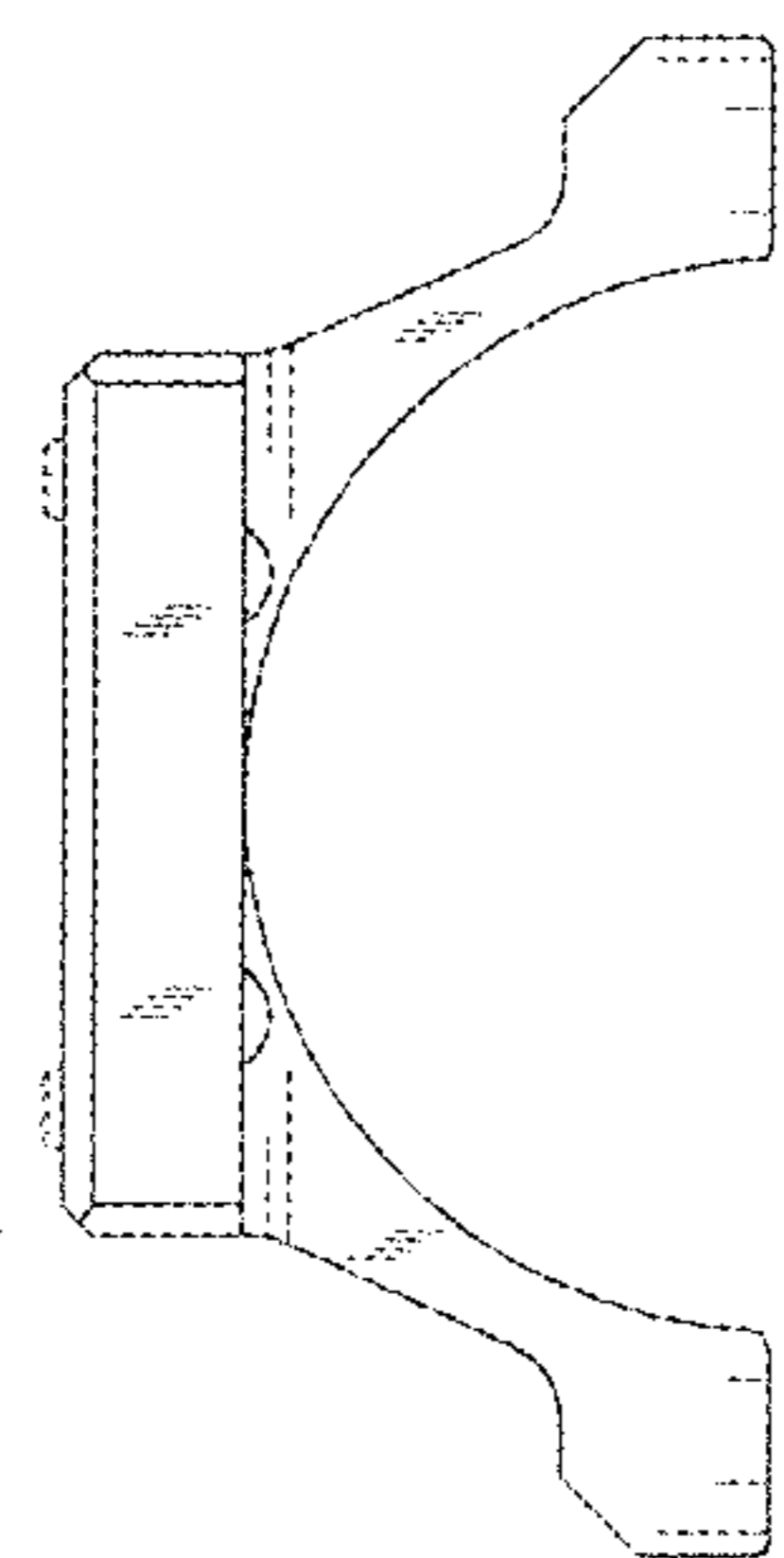


FIG. 2

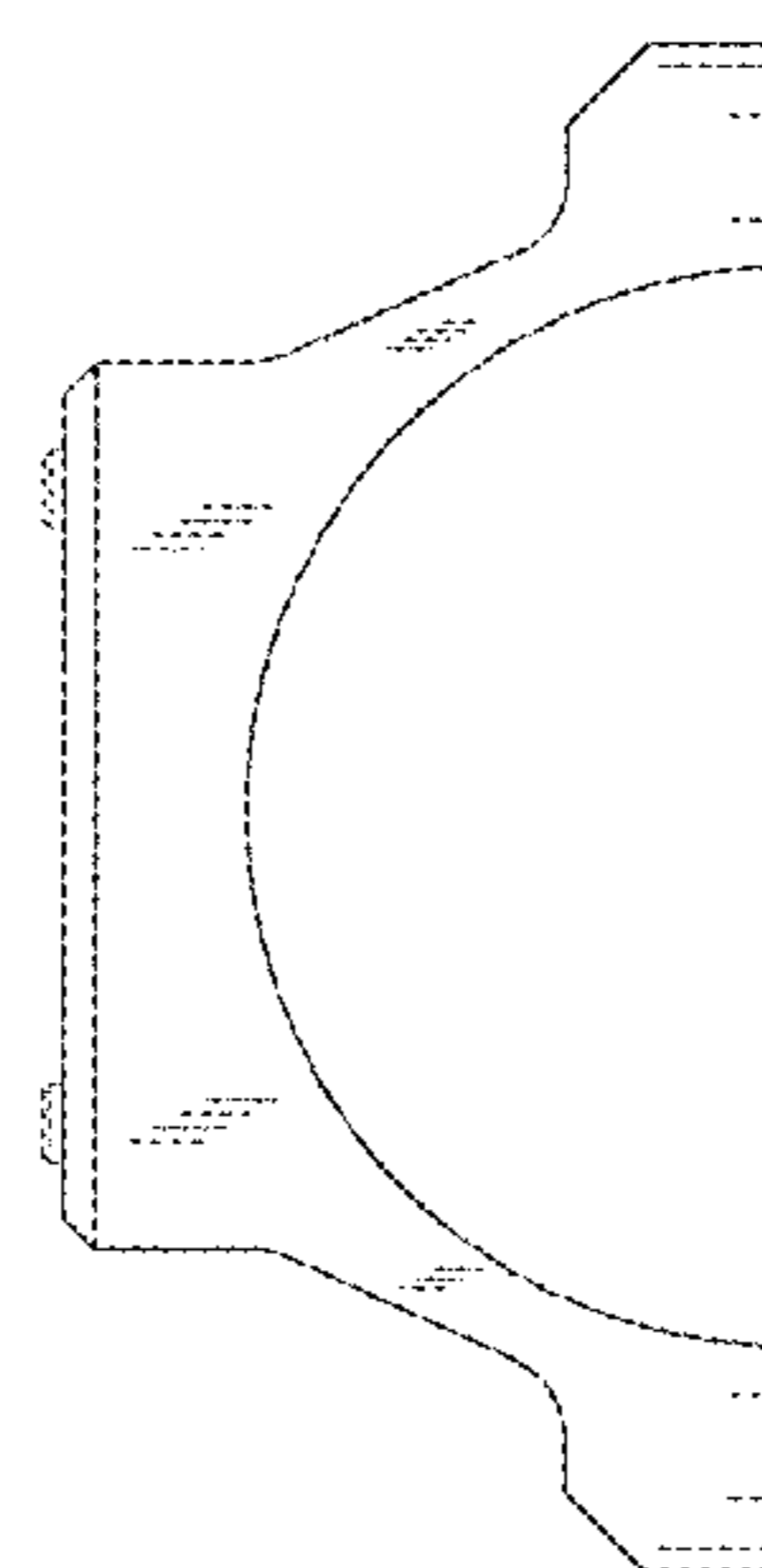


FIG. 3

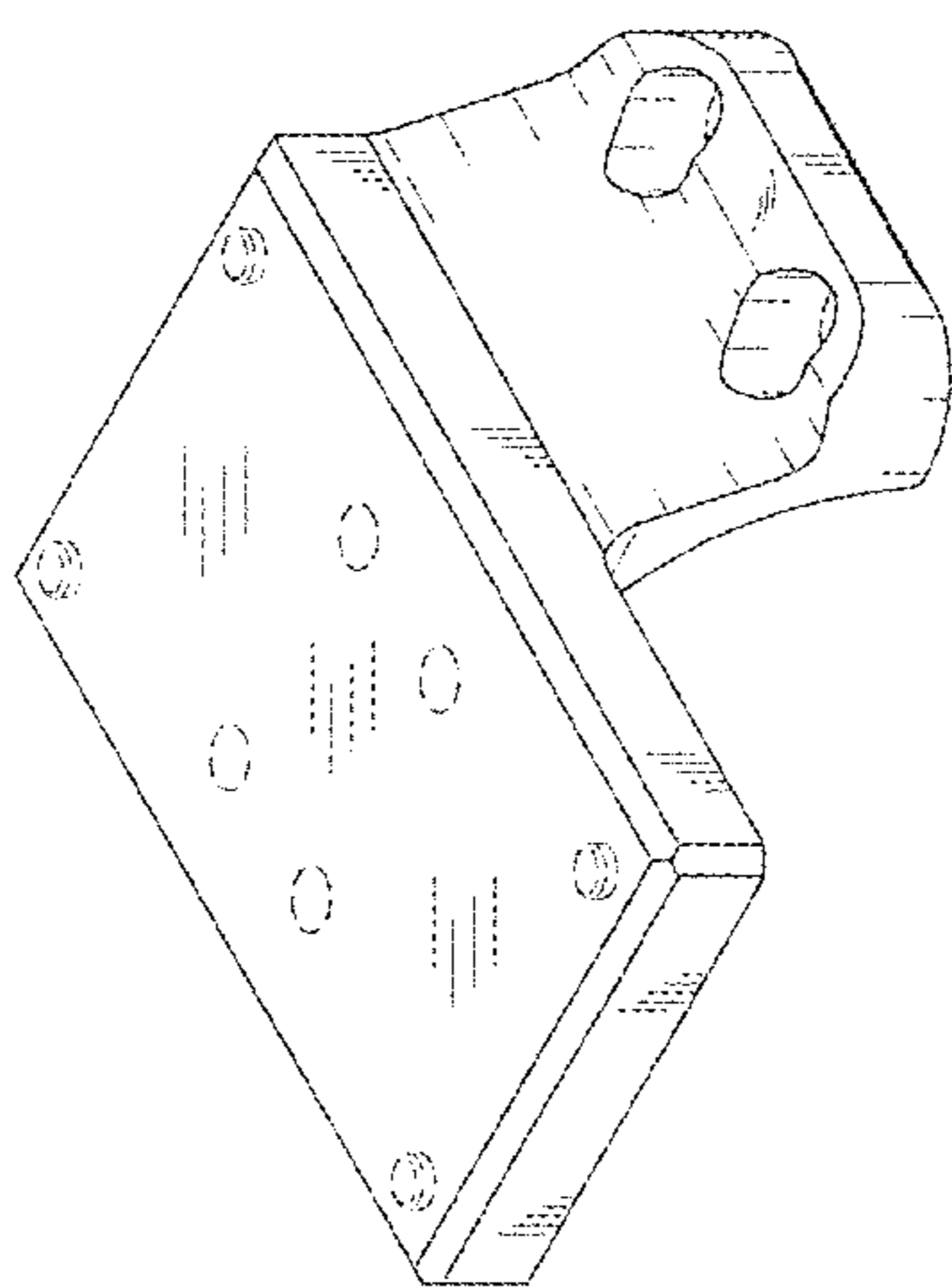


FIG. 1

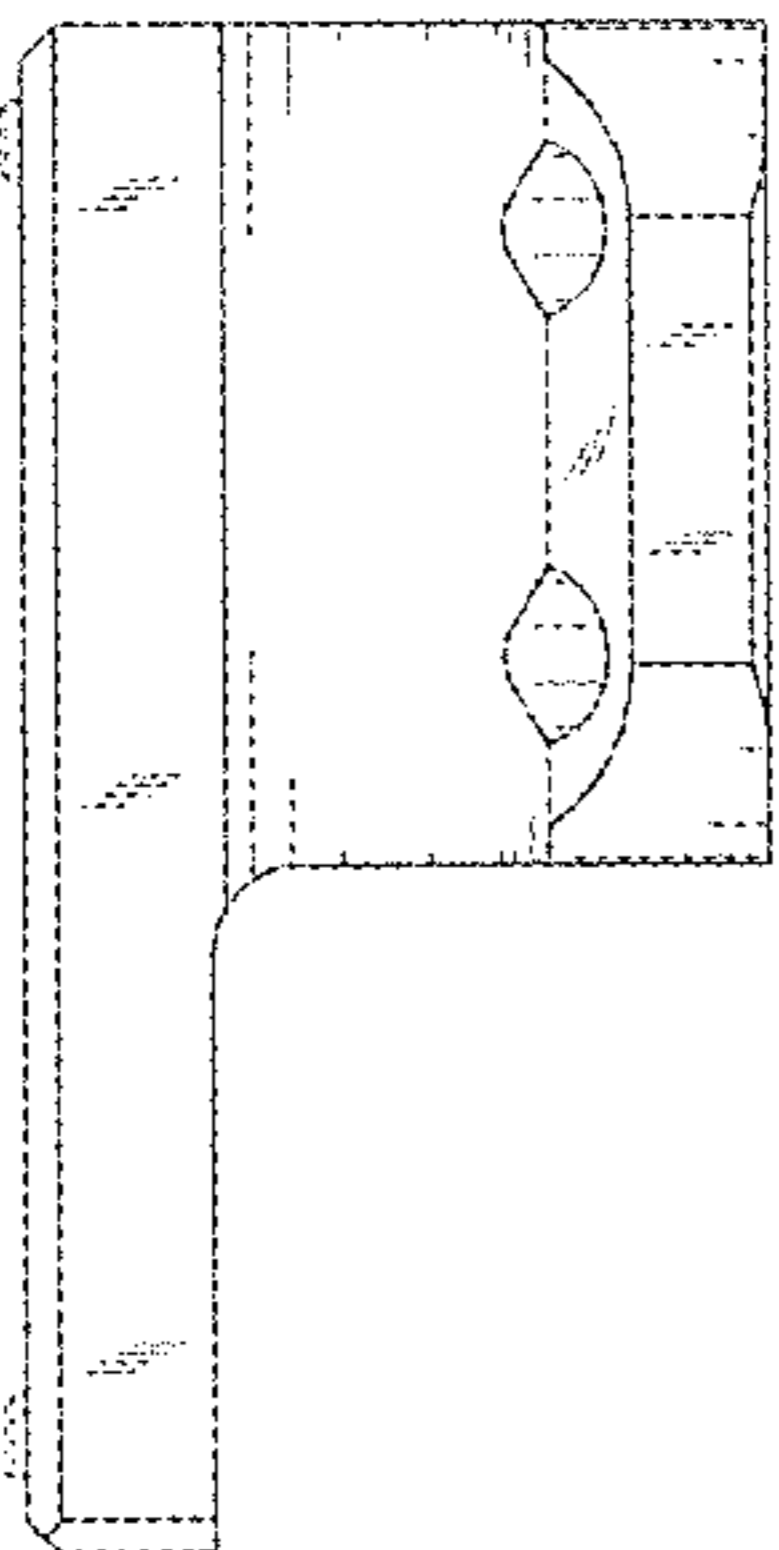


FIG.4

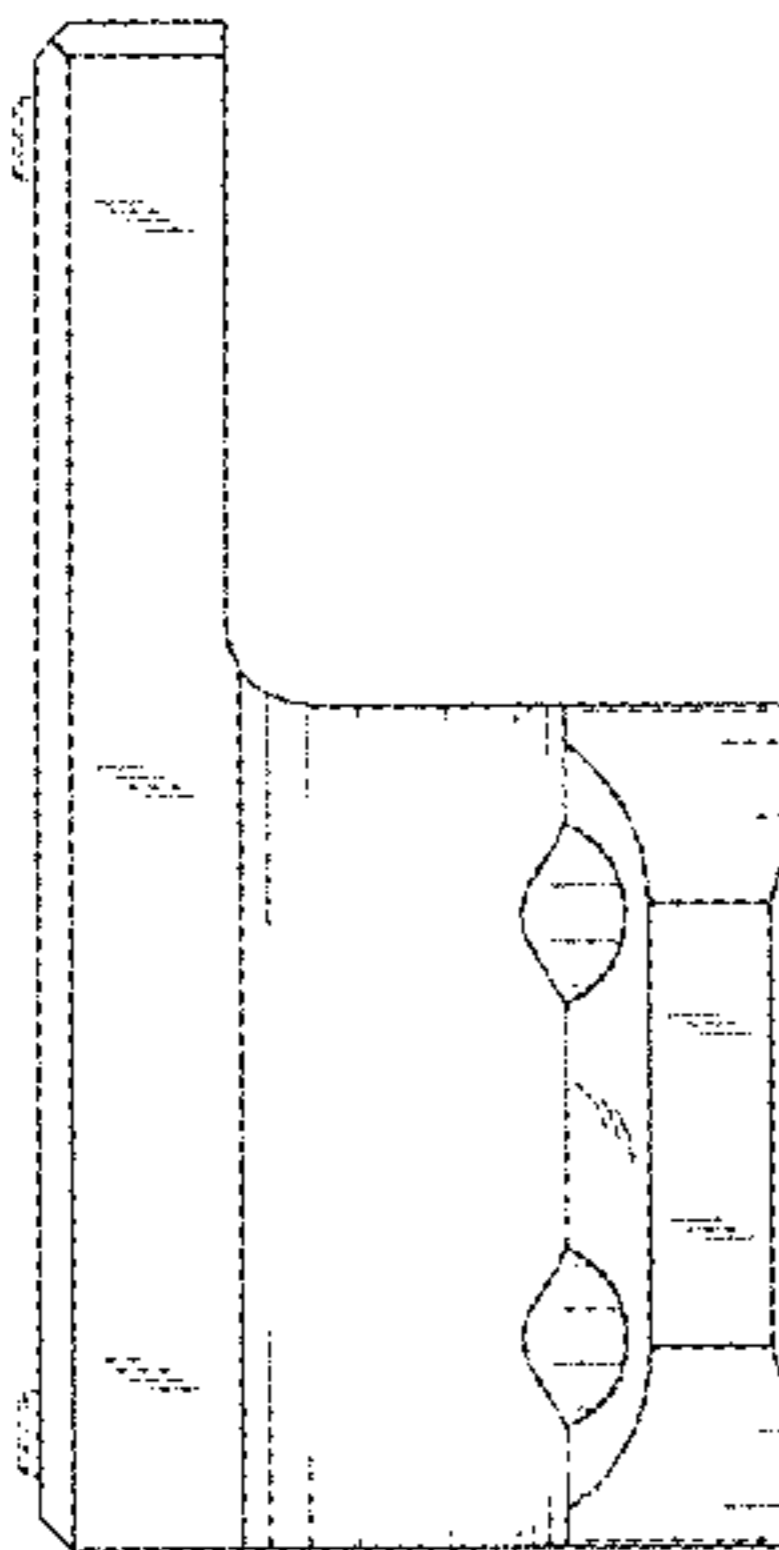


FIG.5

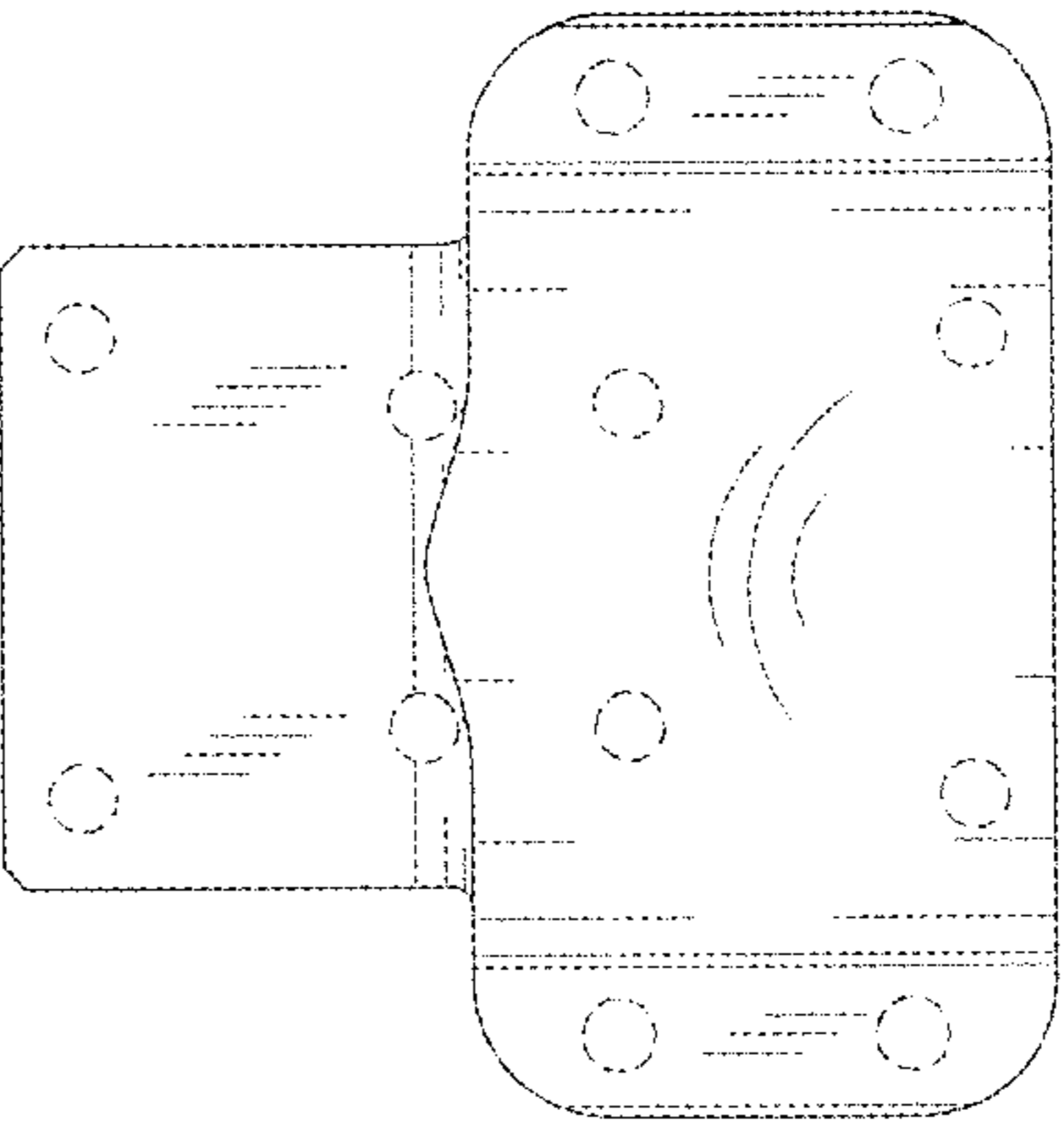


FIG.6

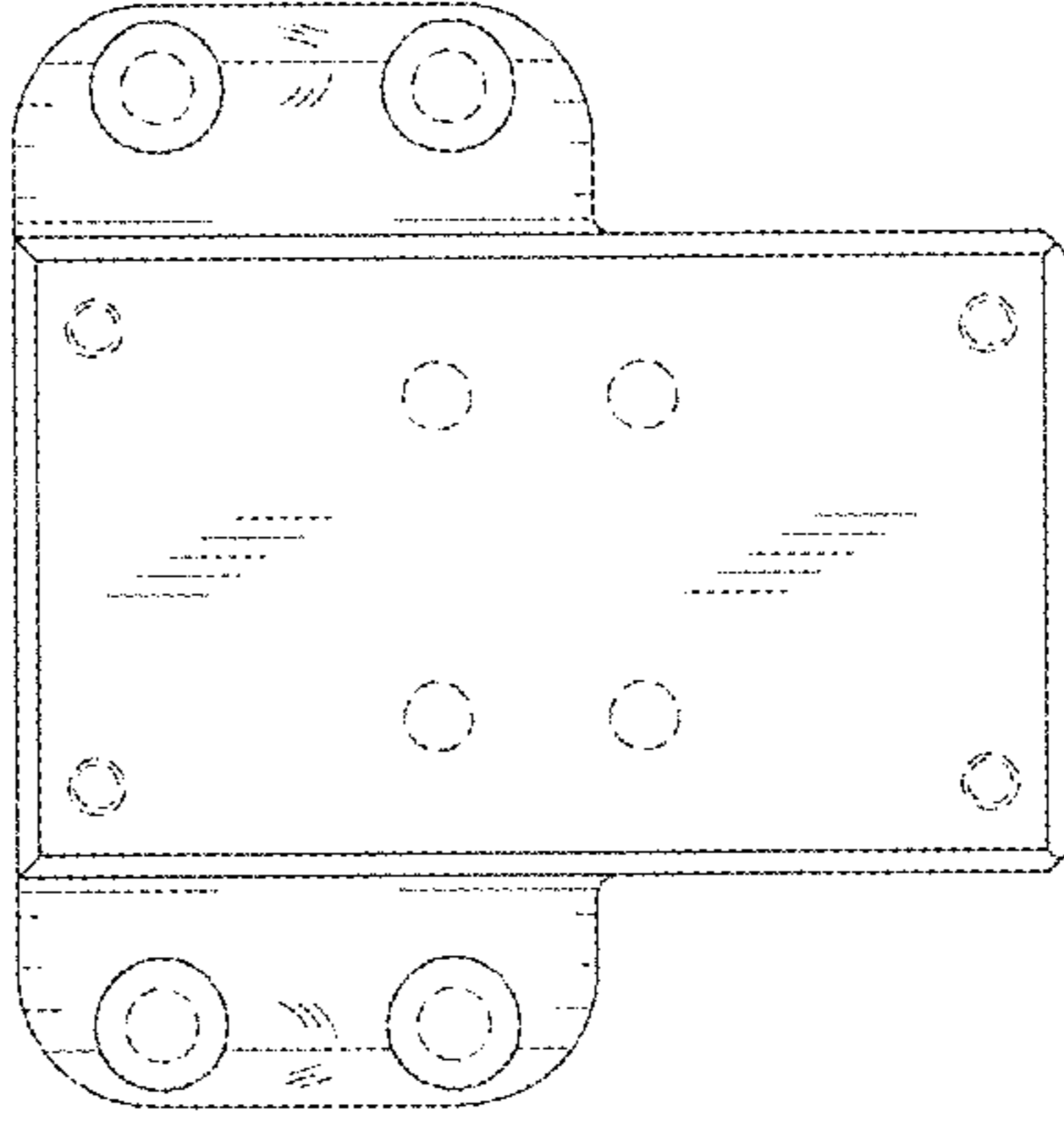


FIG.7

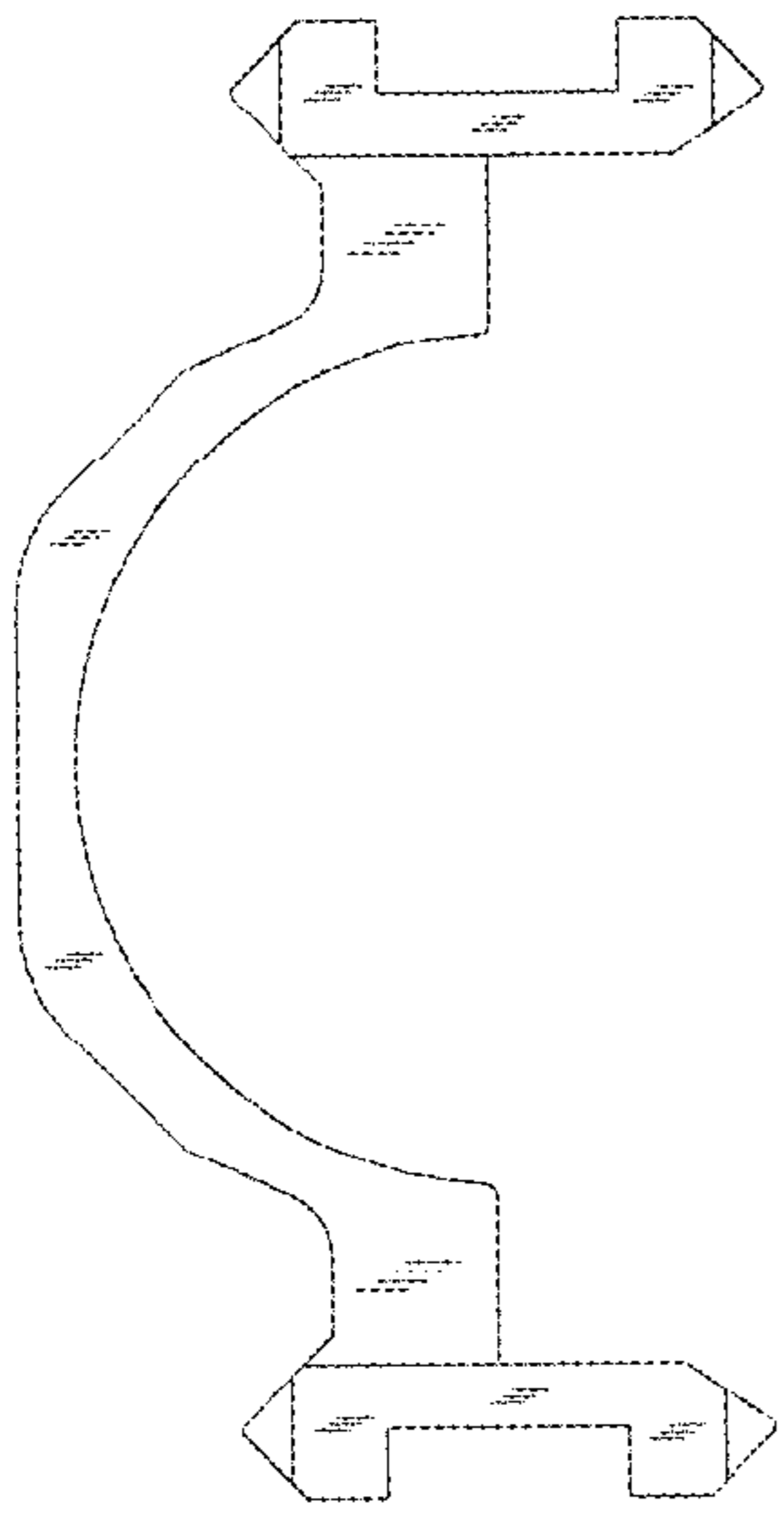


FIG. 9

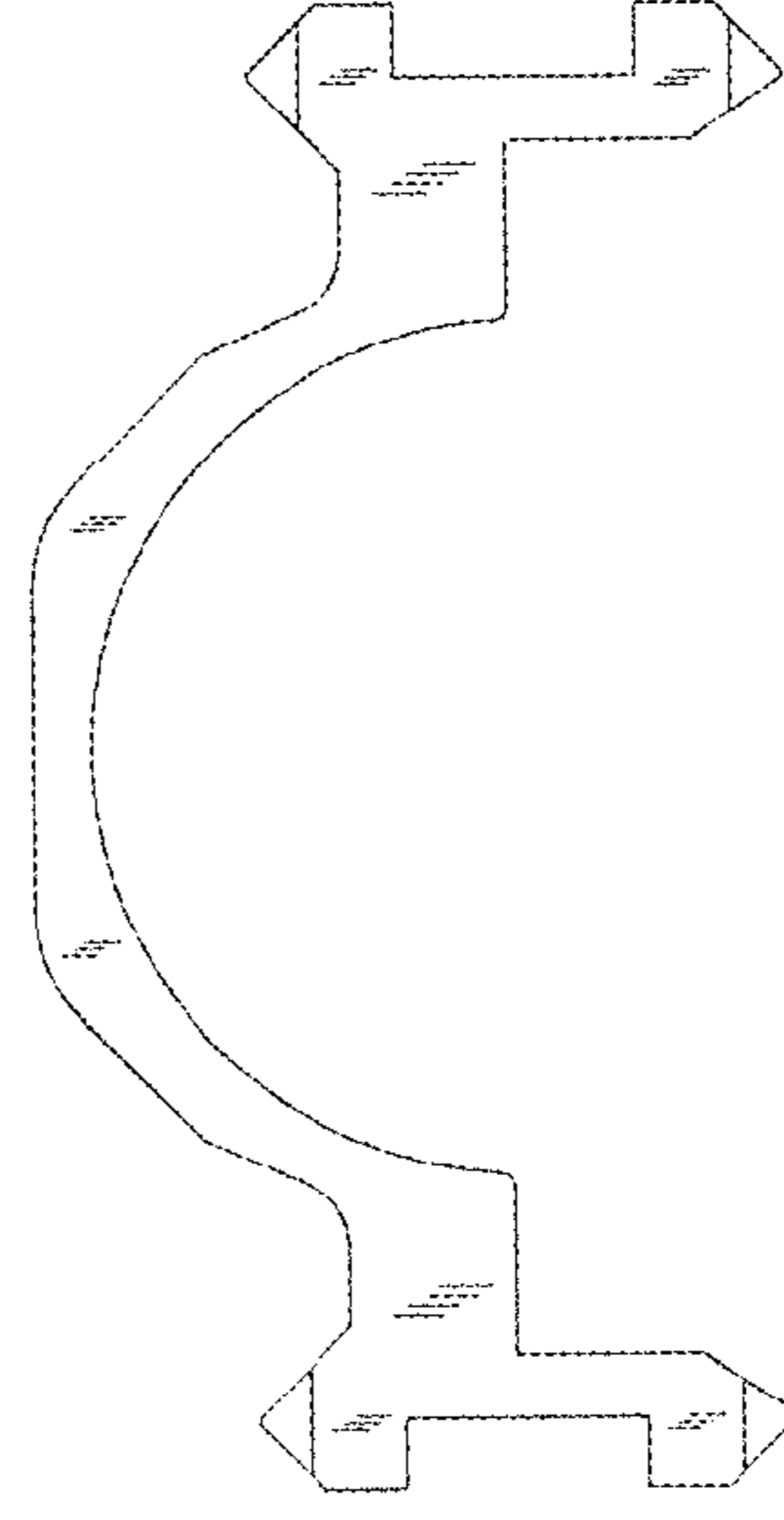


FIG. 10

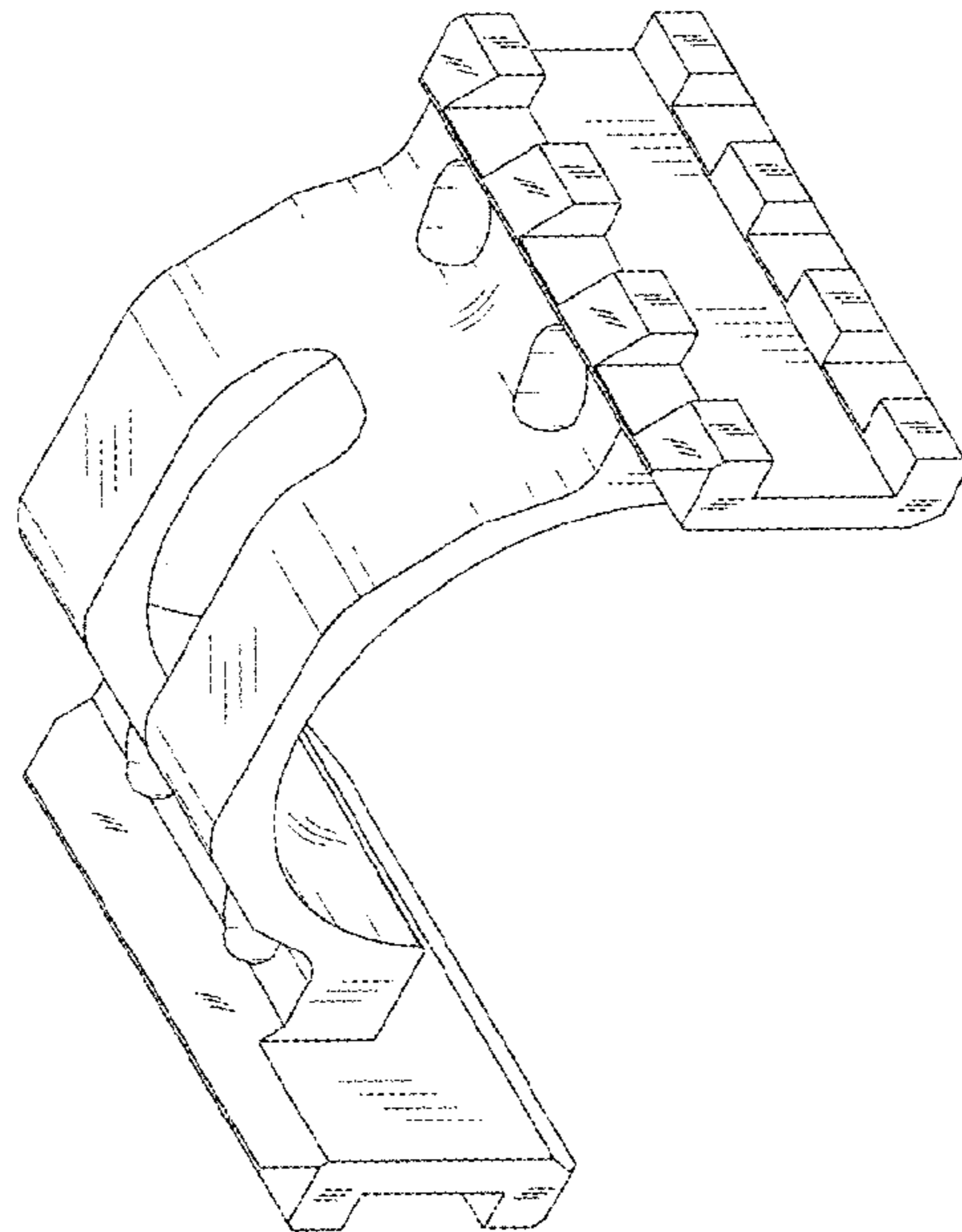


FIG. 8

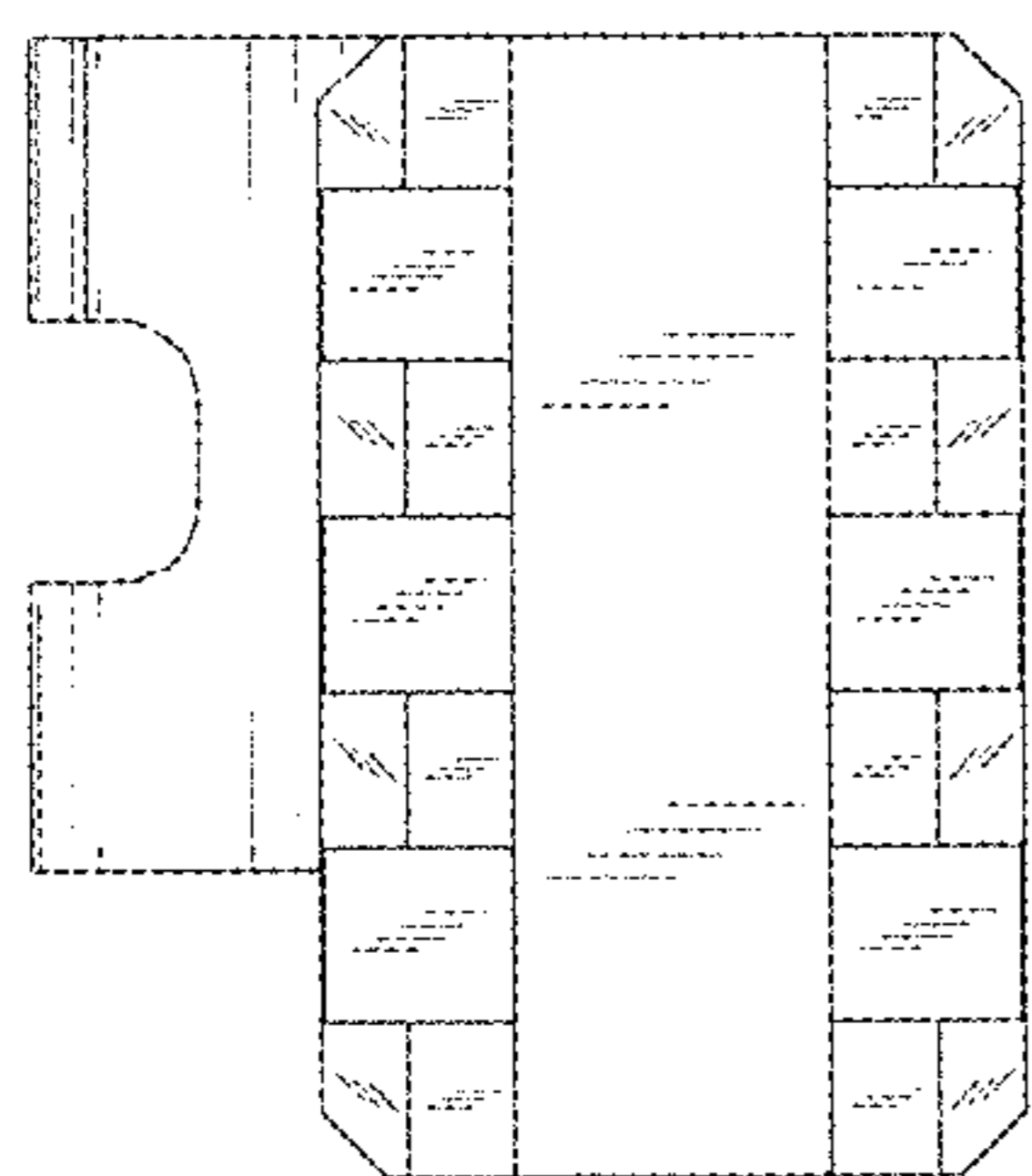


FIG. 11

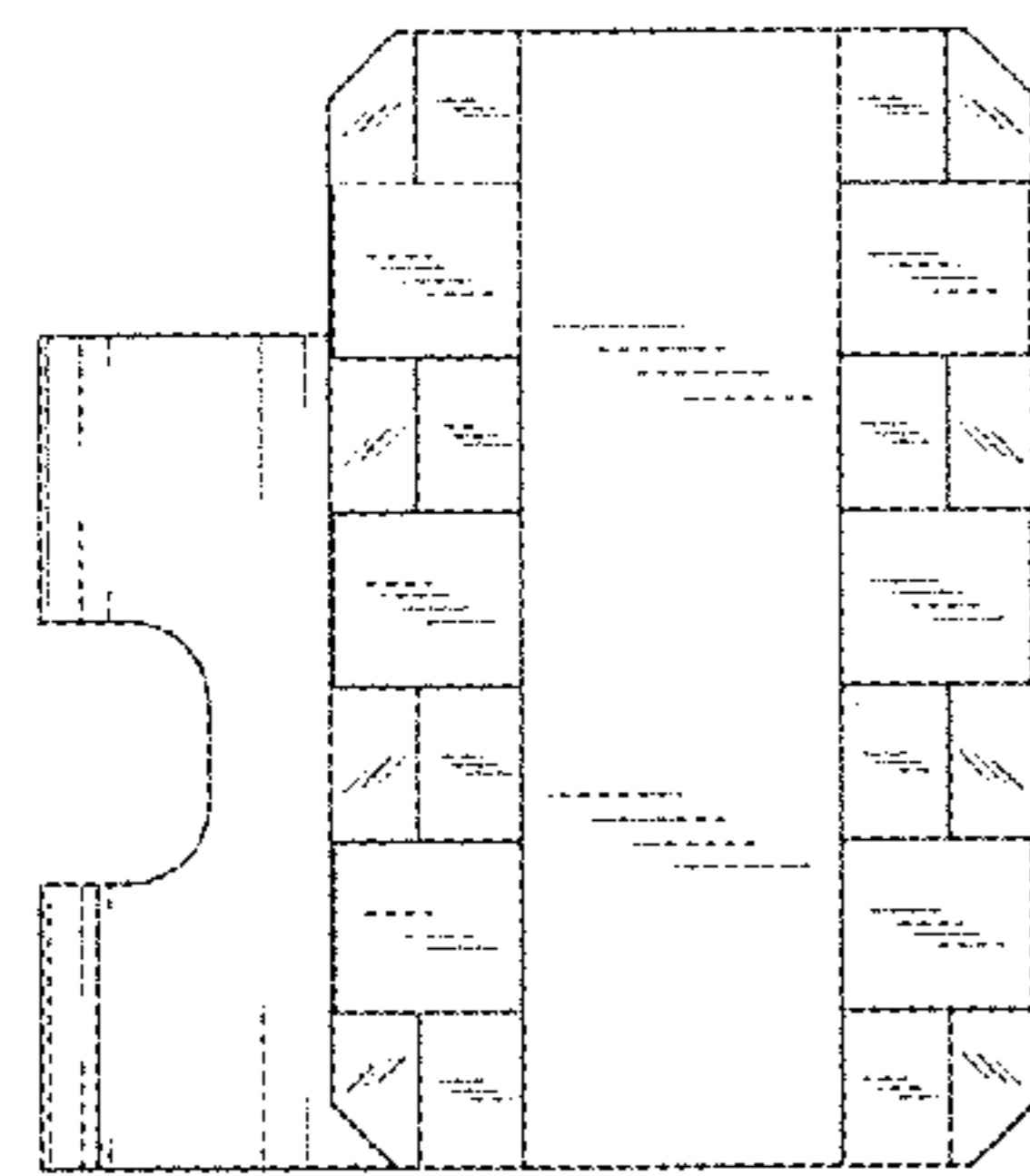


FIG. 12

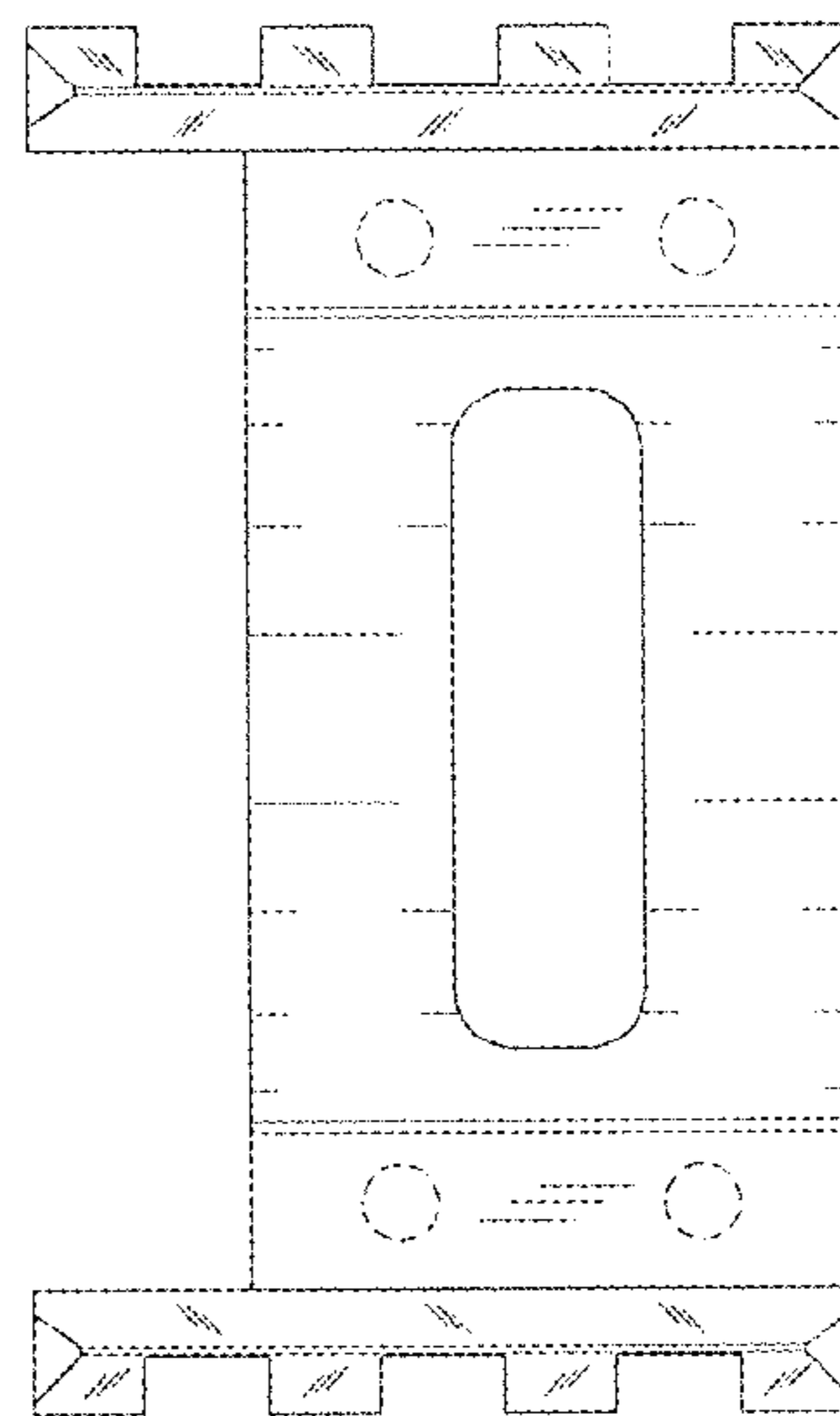


FIG. 13

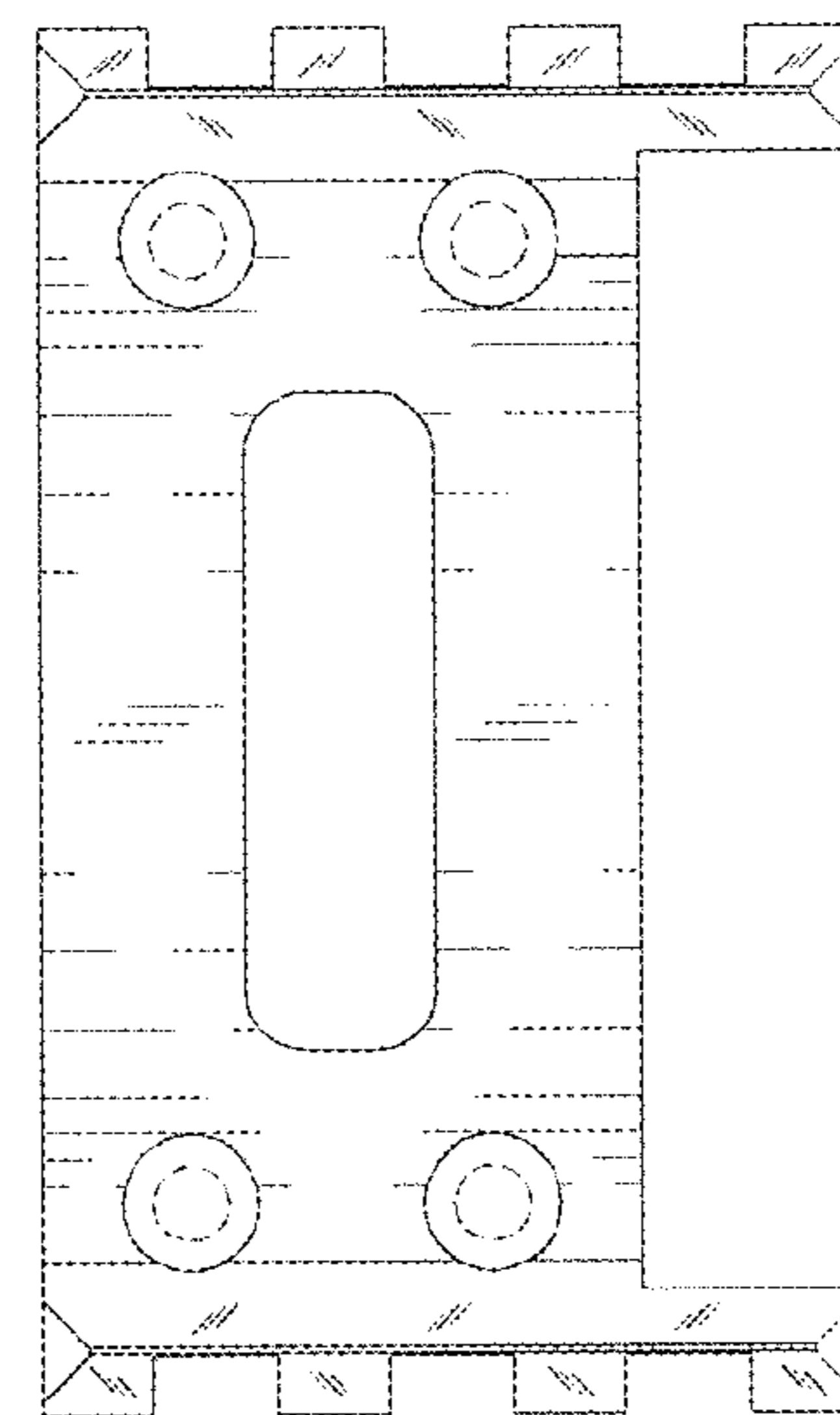


FIG. 14

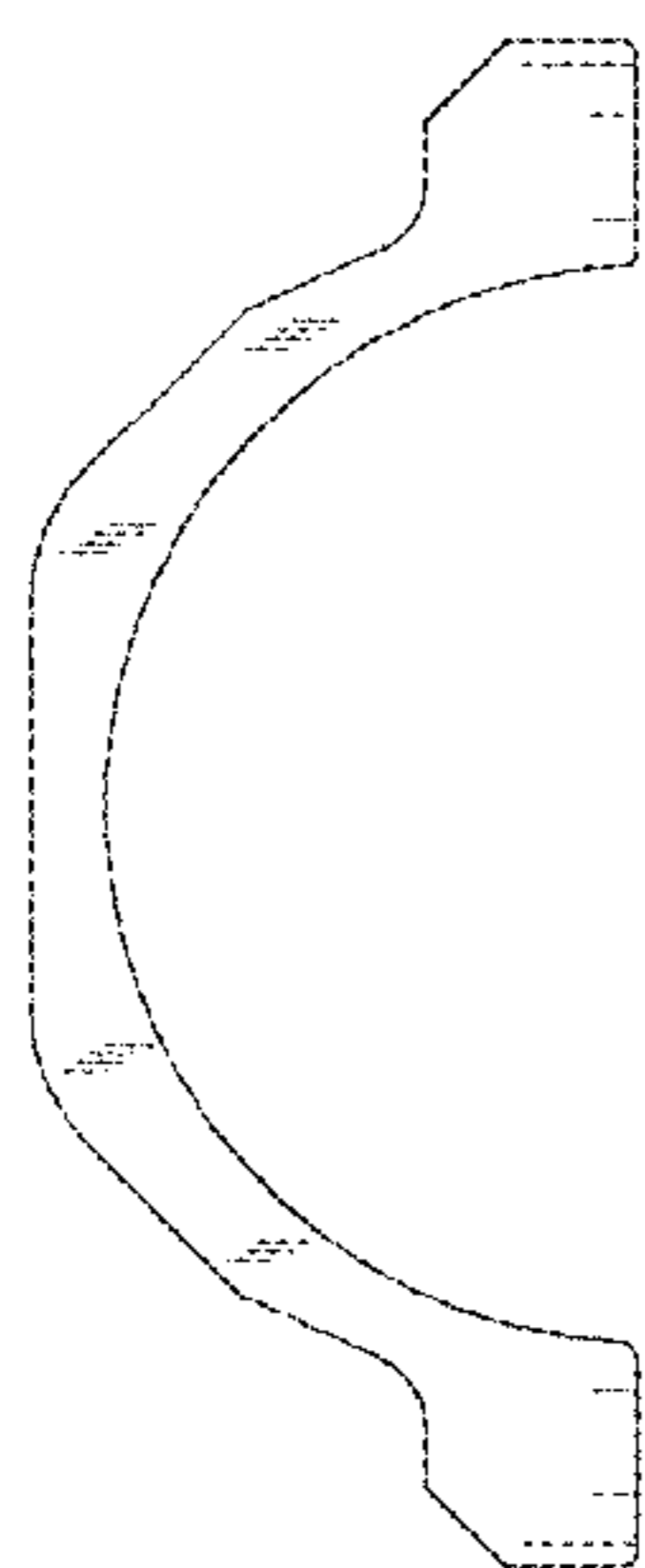


FIG. 16

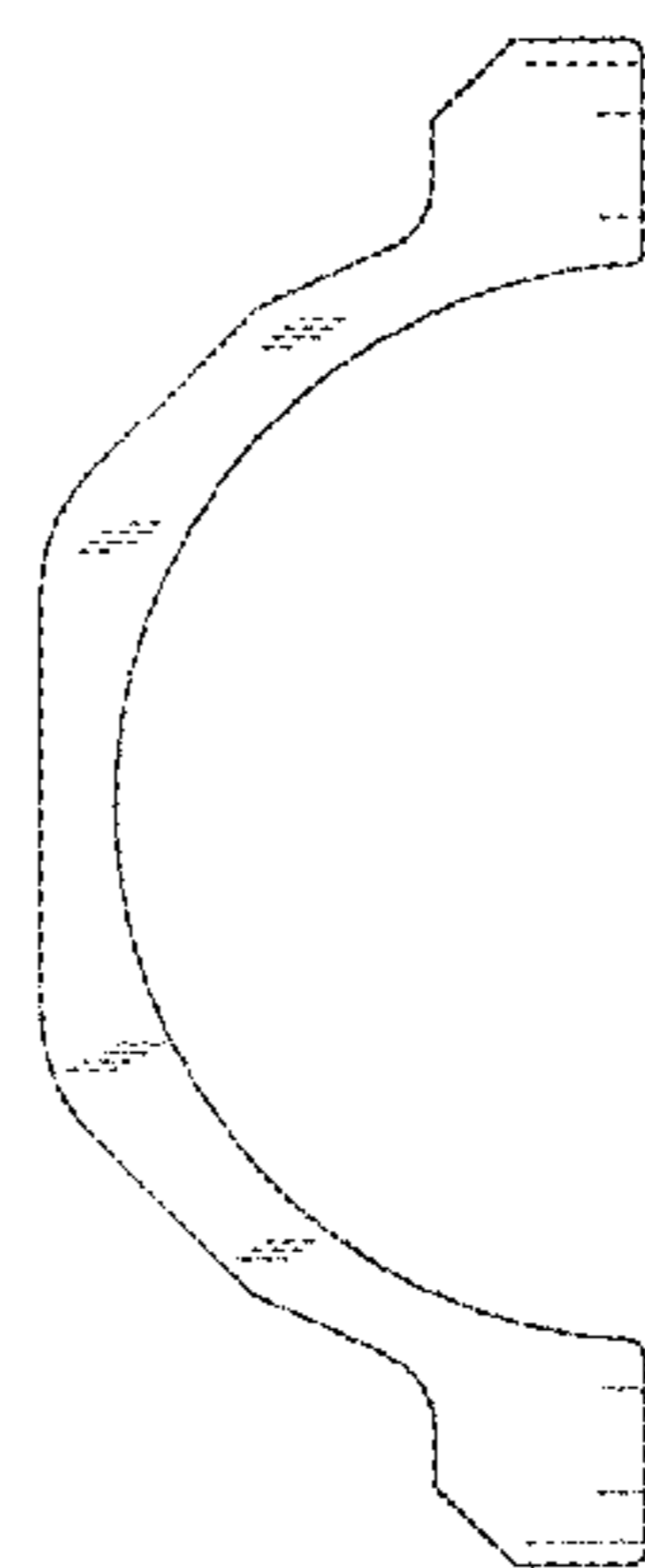


FIG. 17

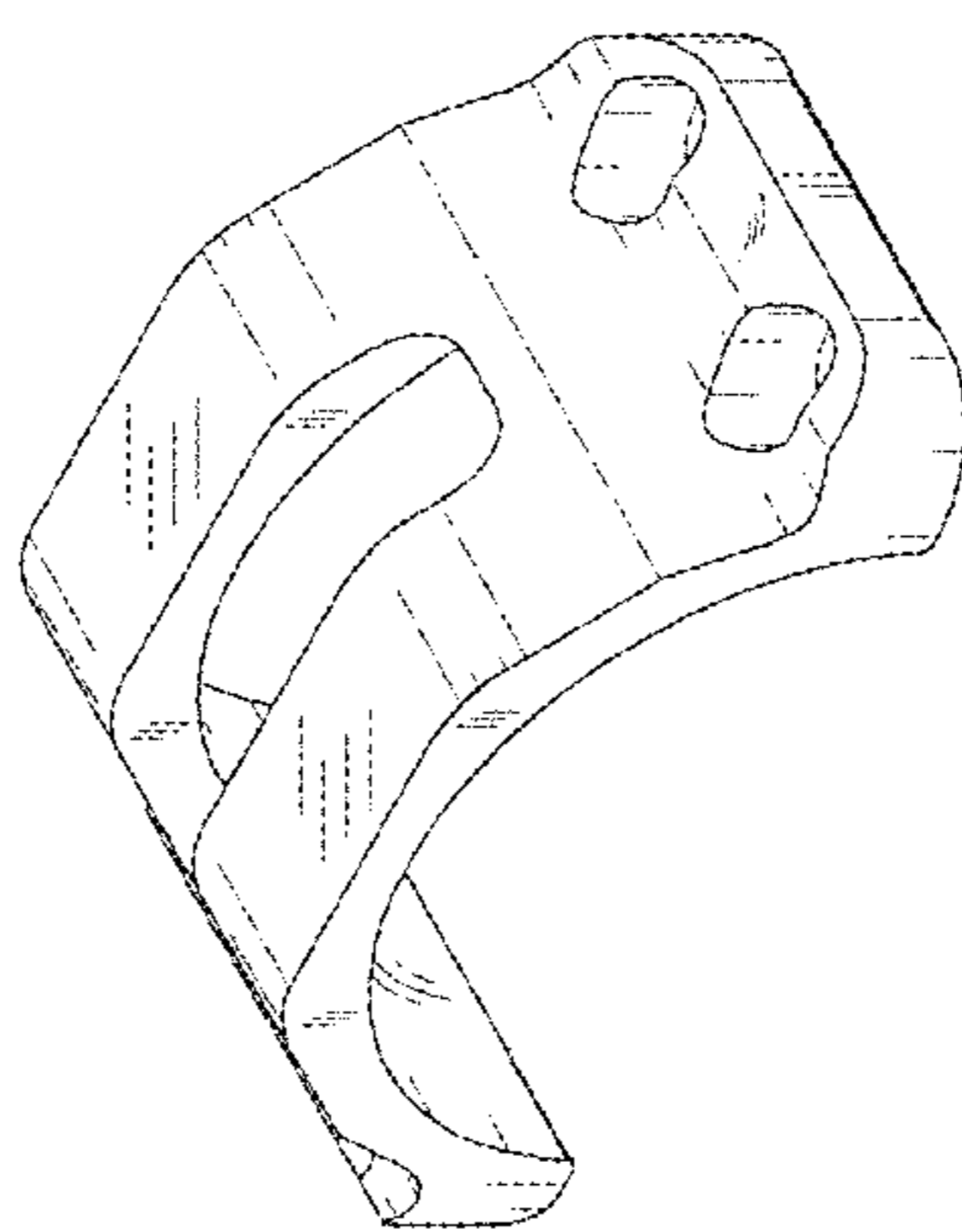


FIG. 15

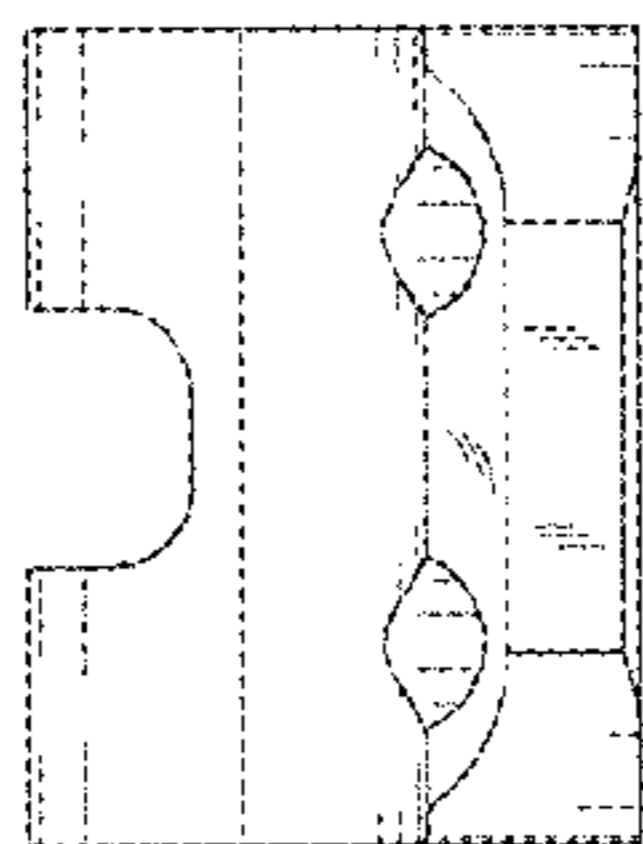


FIG.19

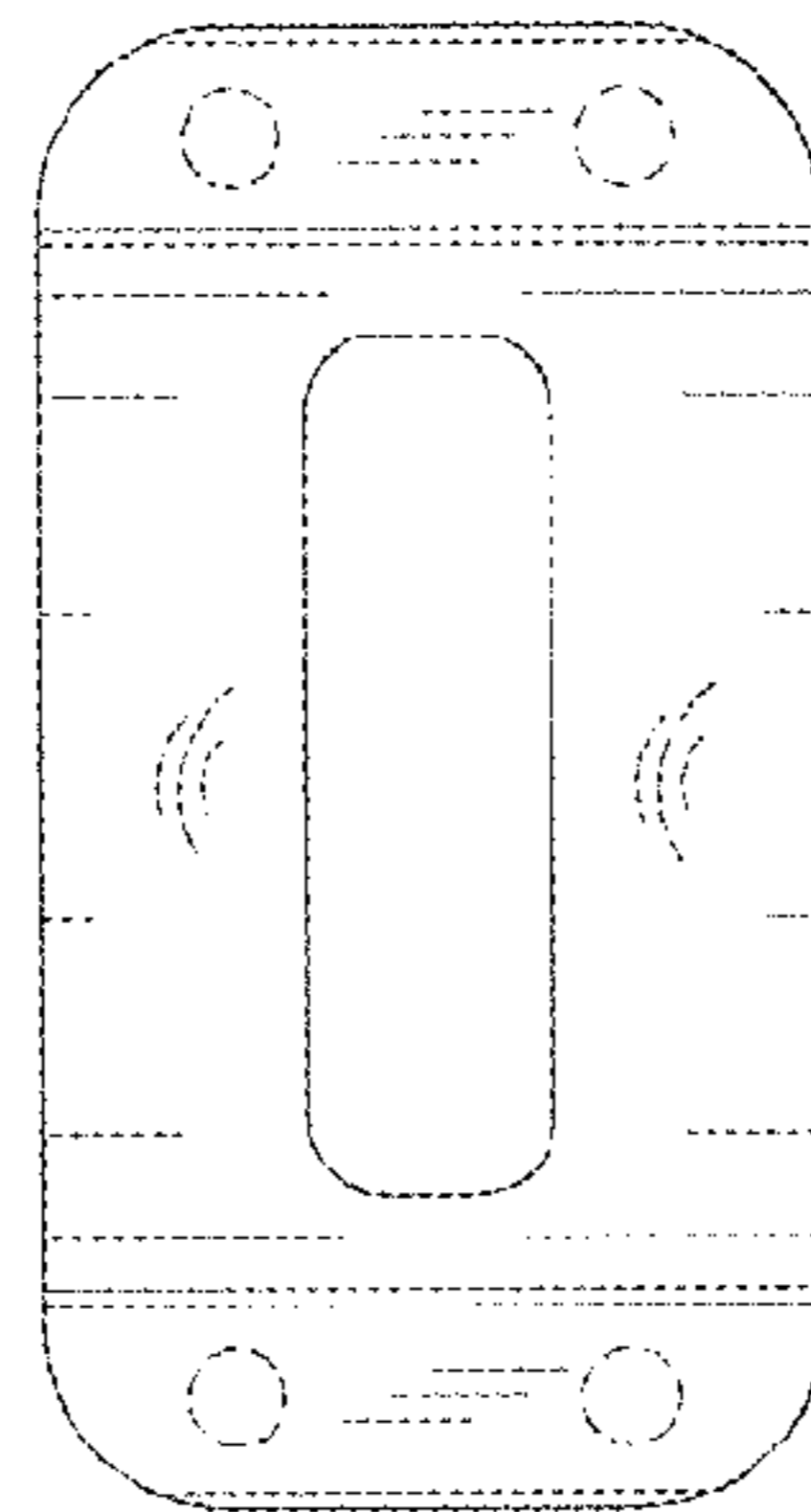


FIG.21

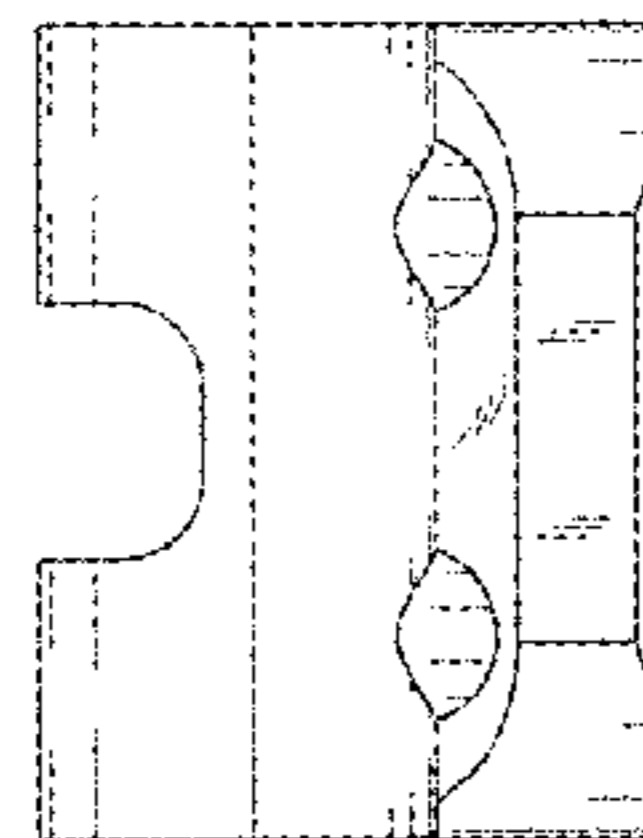


FIG.18

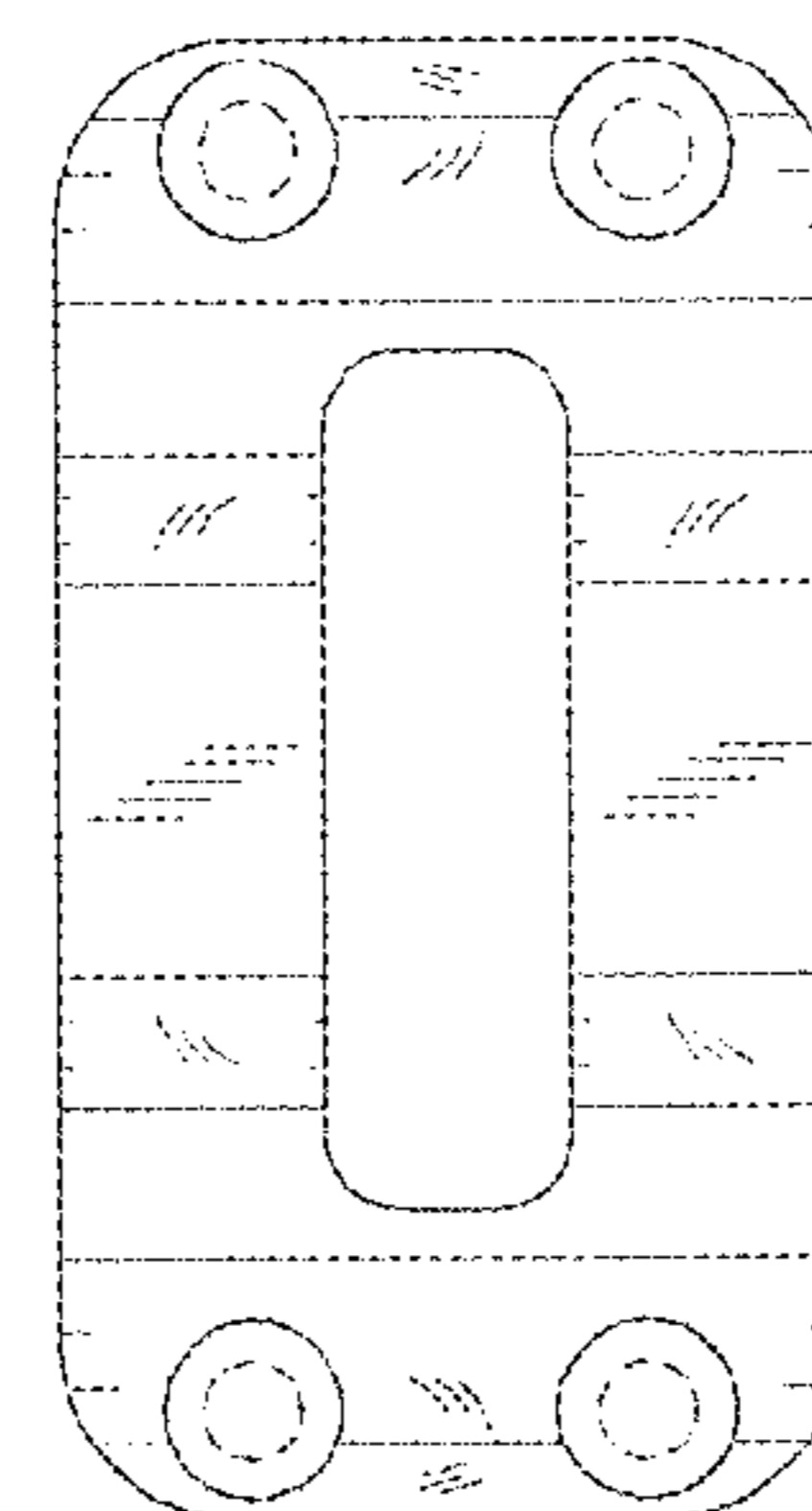


FIG.20



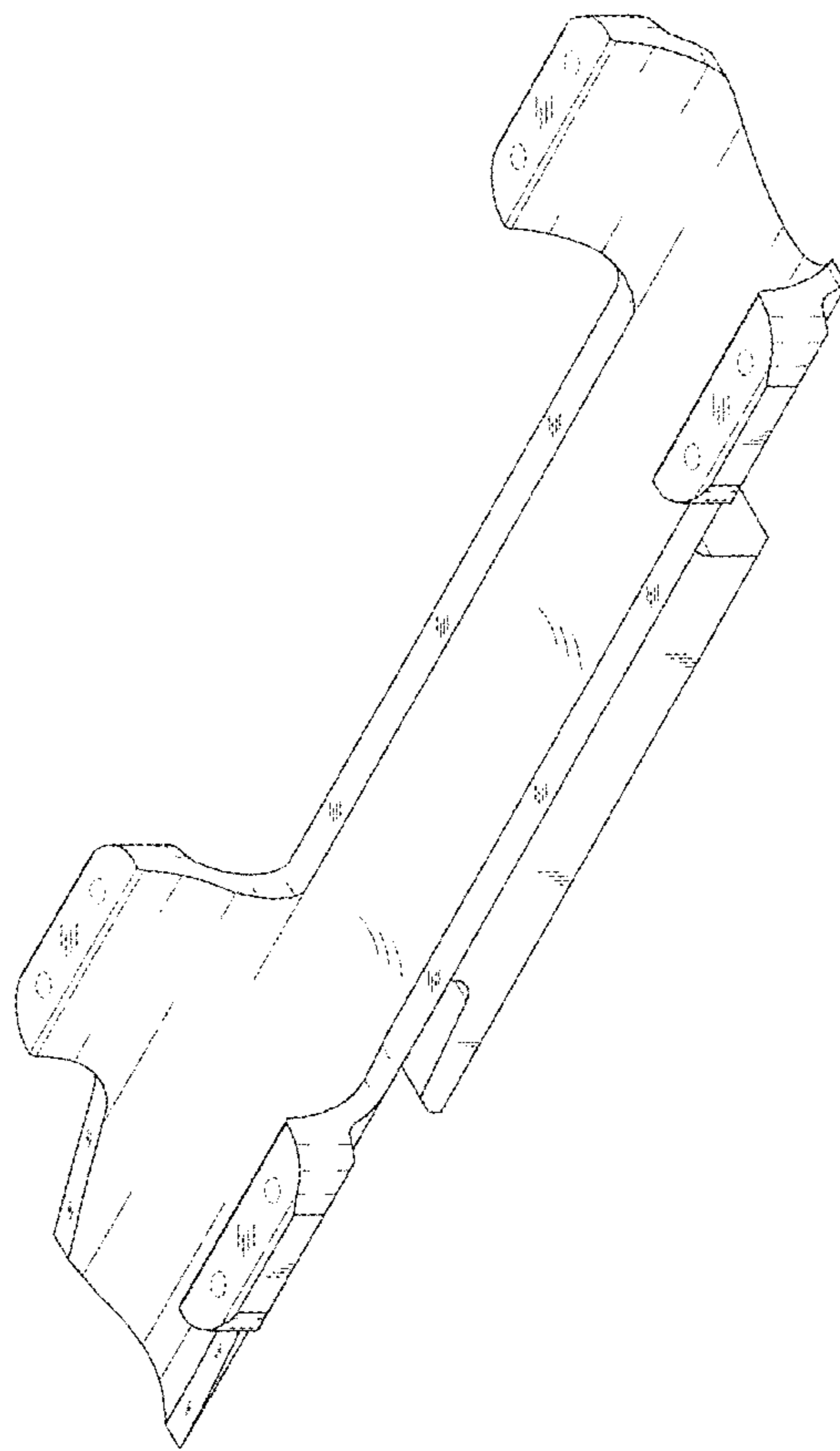


FIG. 22

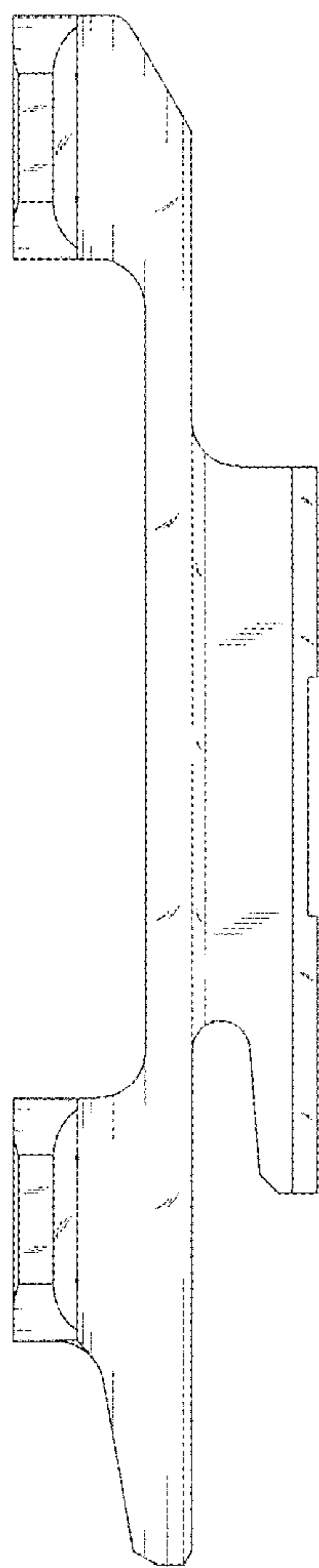


FIG. 23

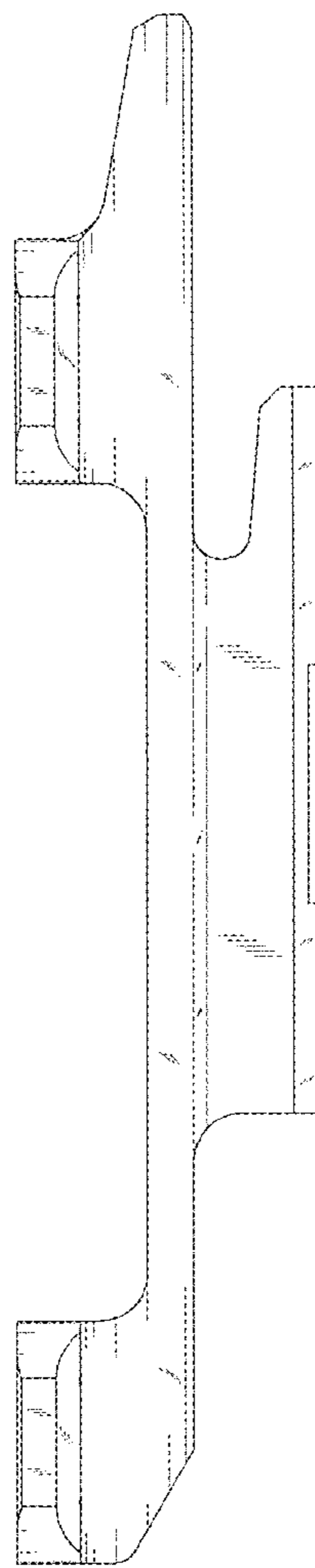


FIG. 24

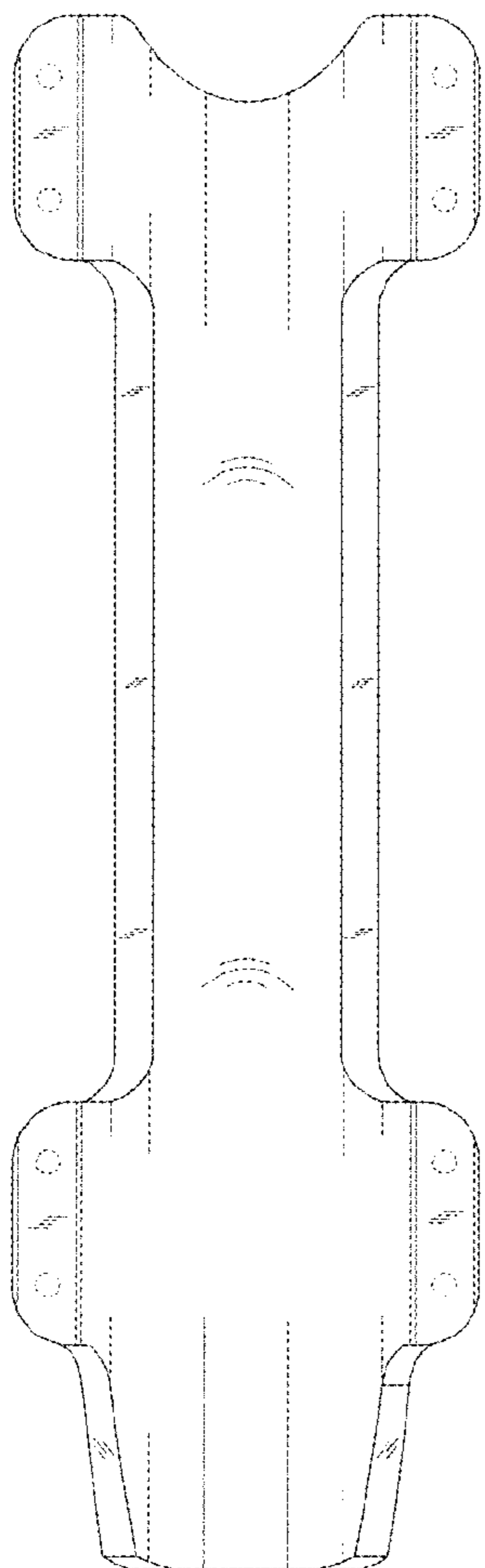


FIG.27

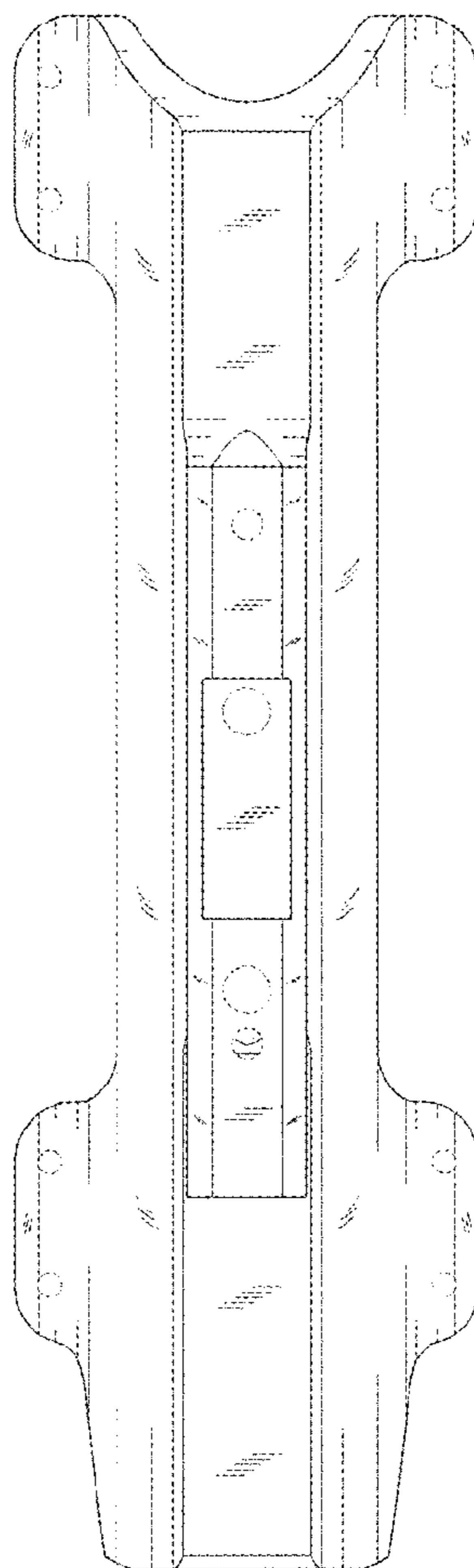


FIG.28

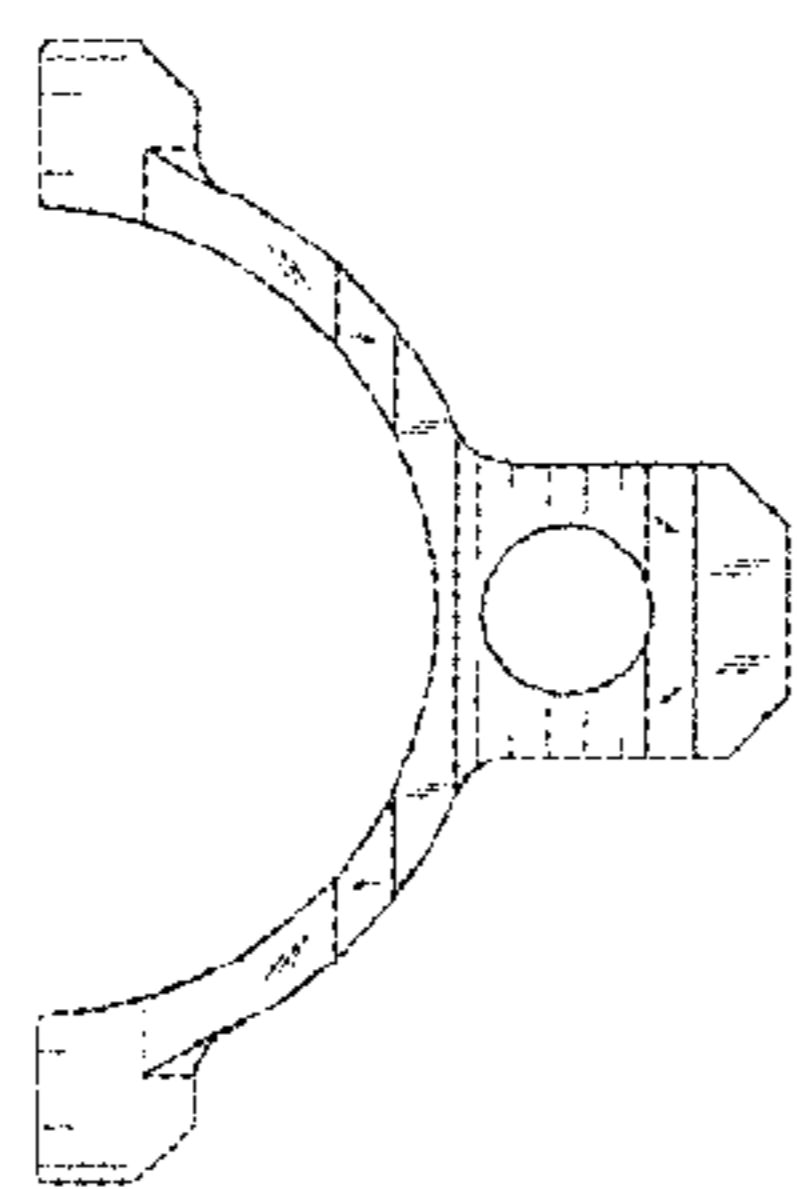


FIG.25

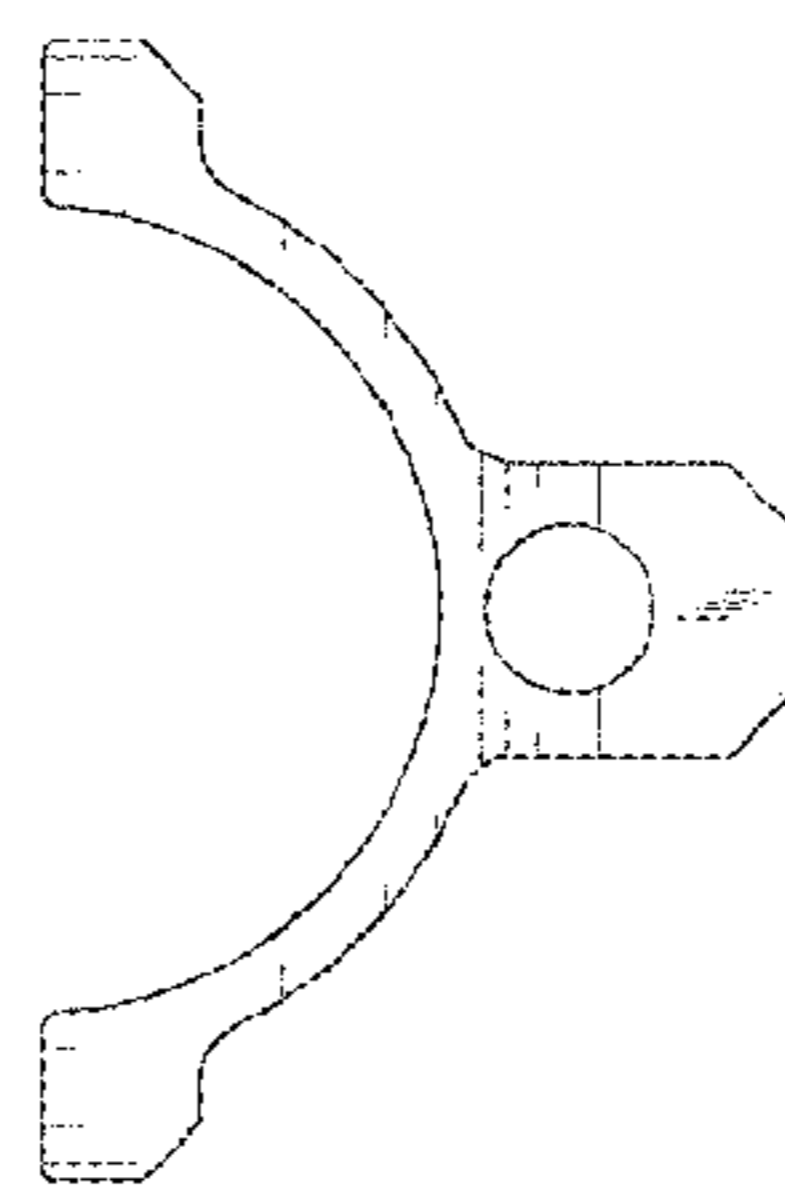


FIG.26

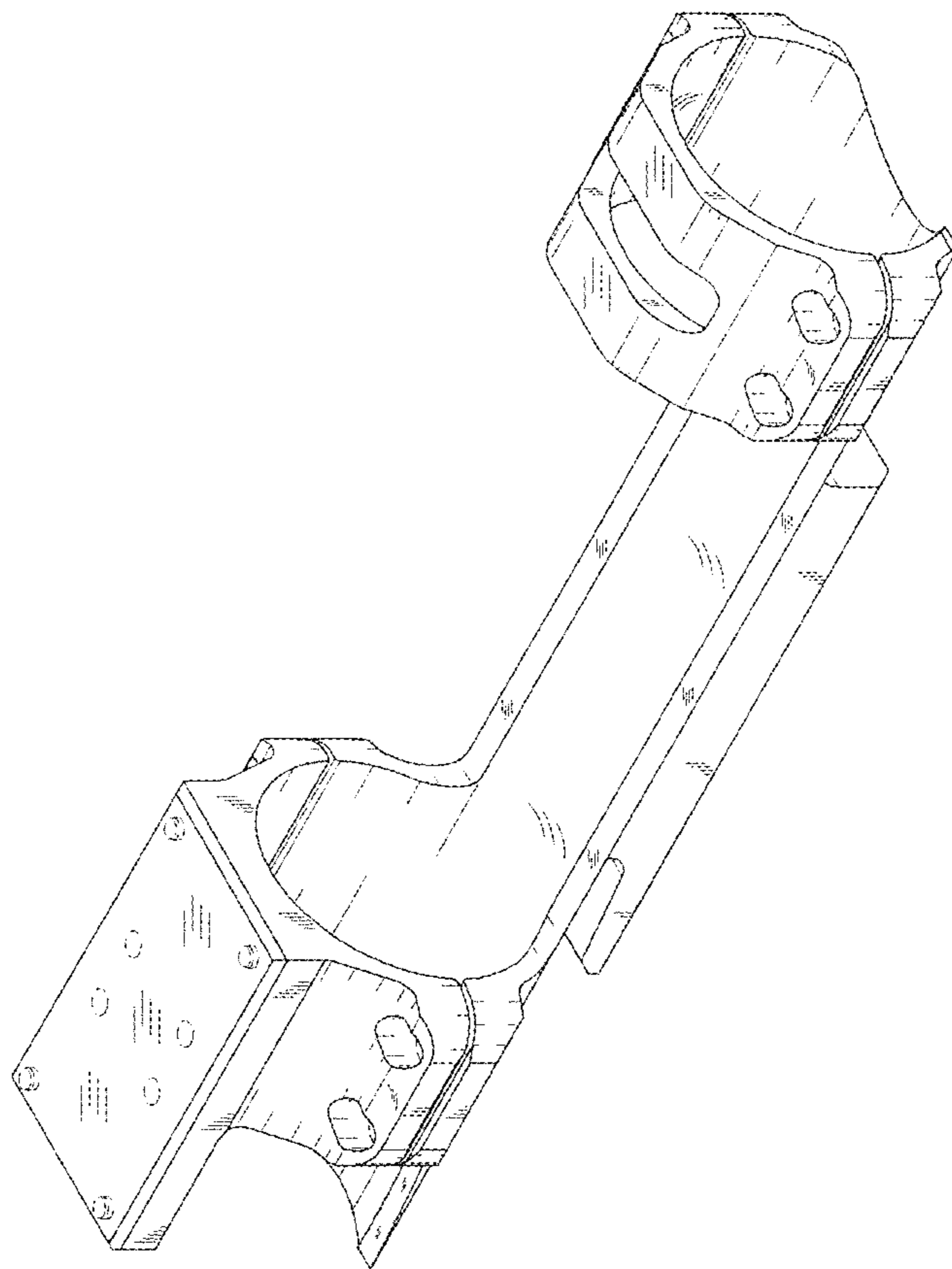


FIG. 29

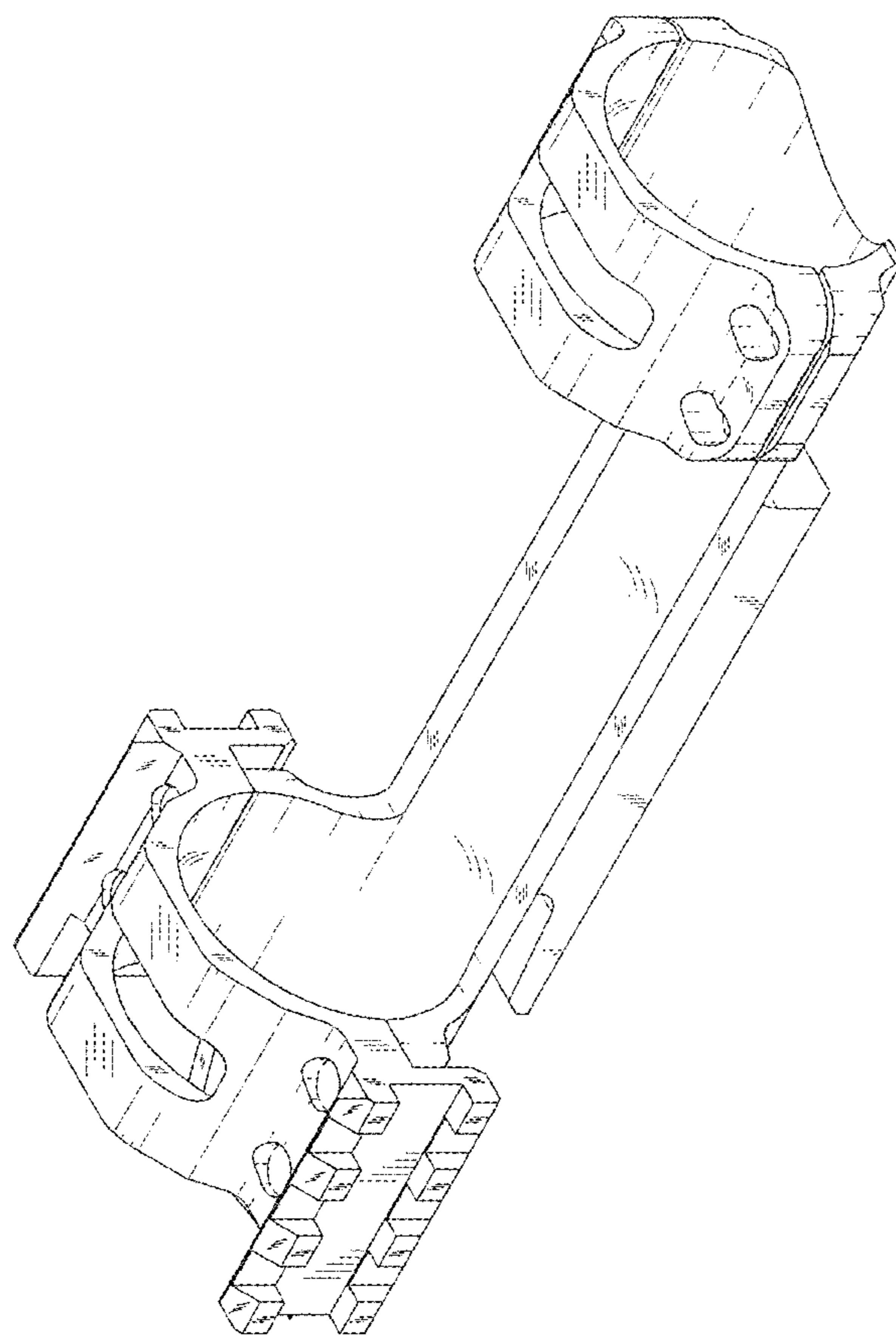


FIG.30

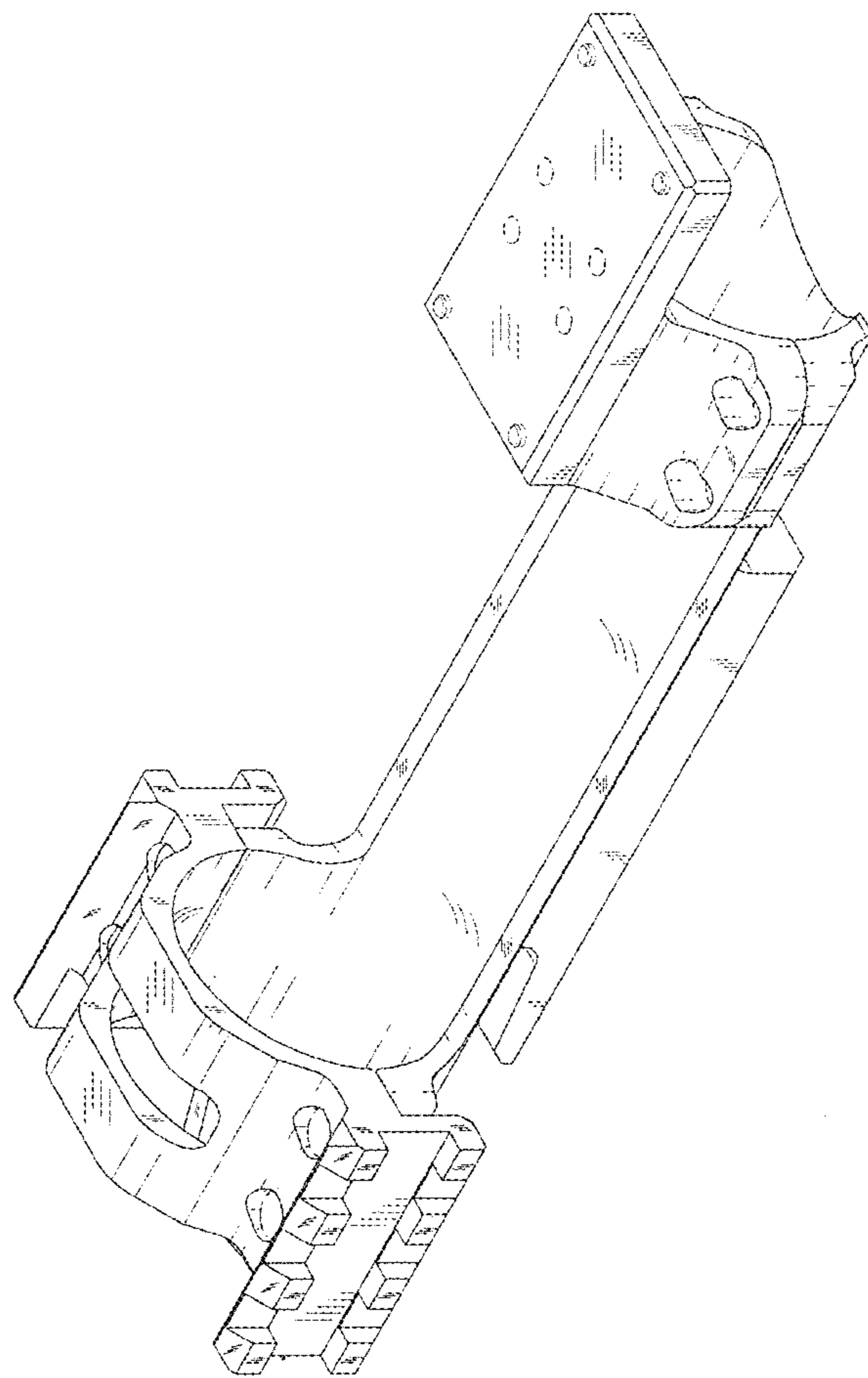


FIG. 31

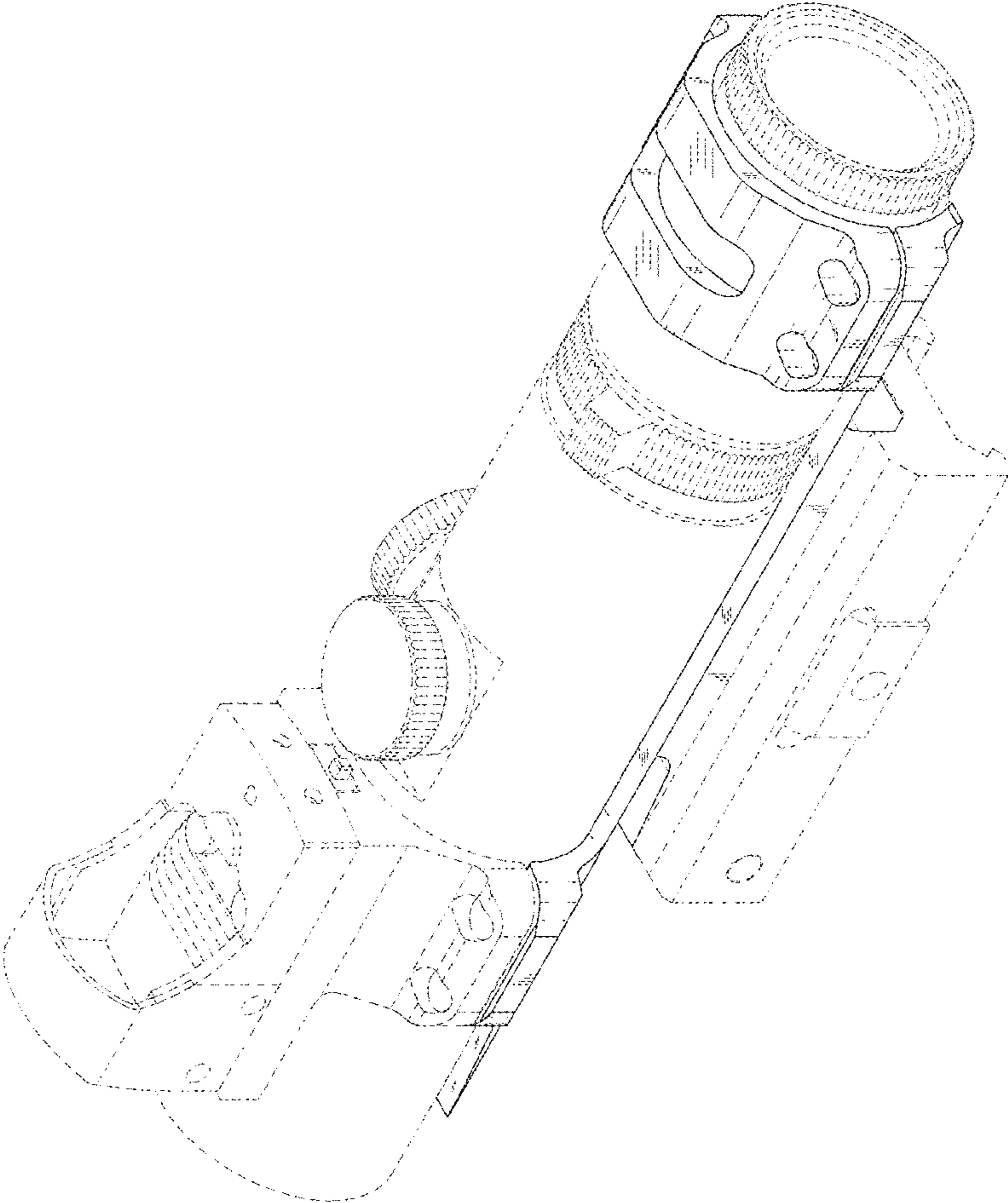


FIG.32

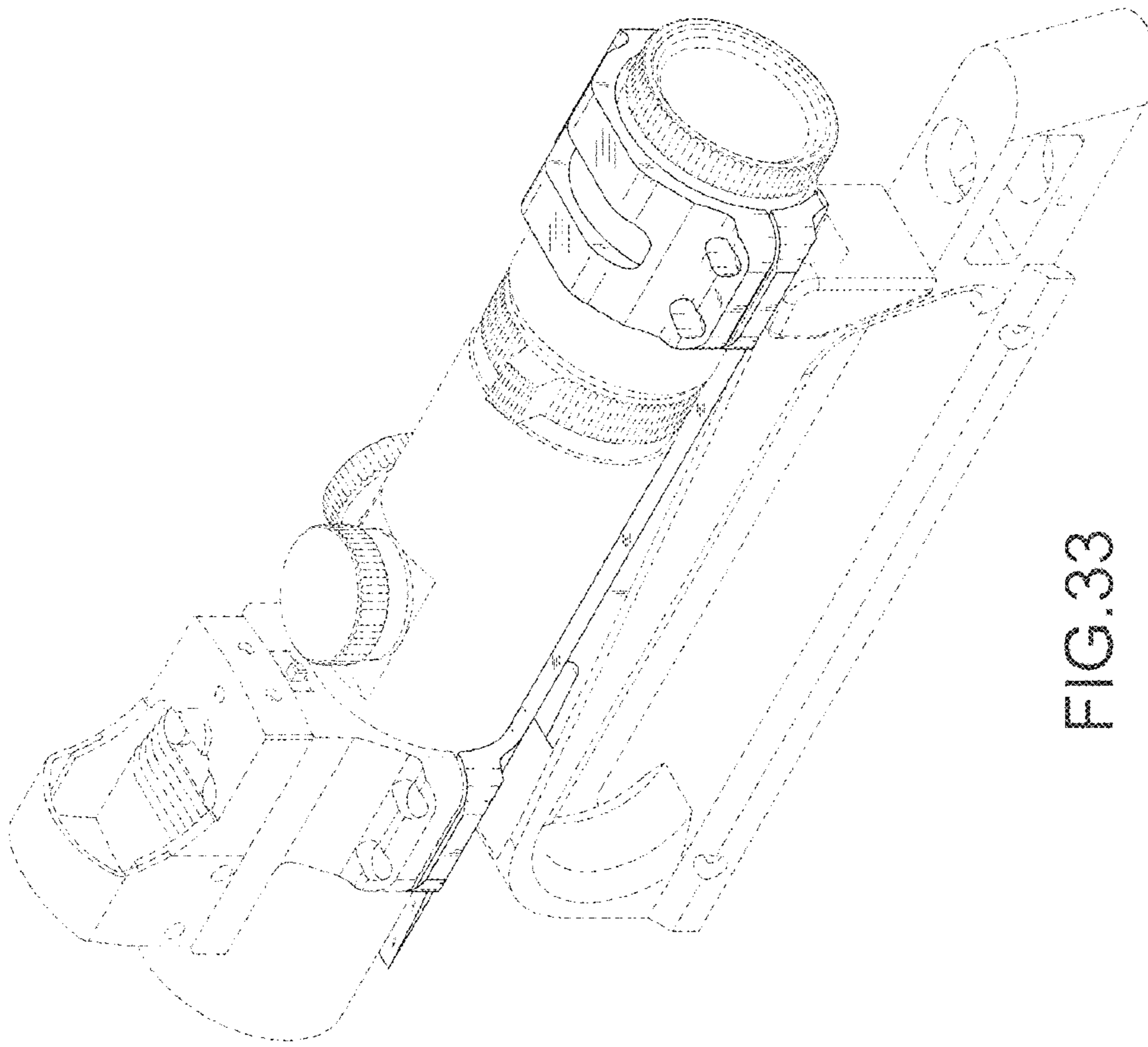


FIG. 33



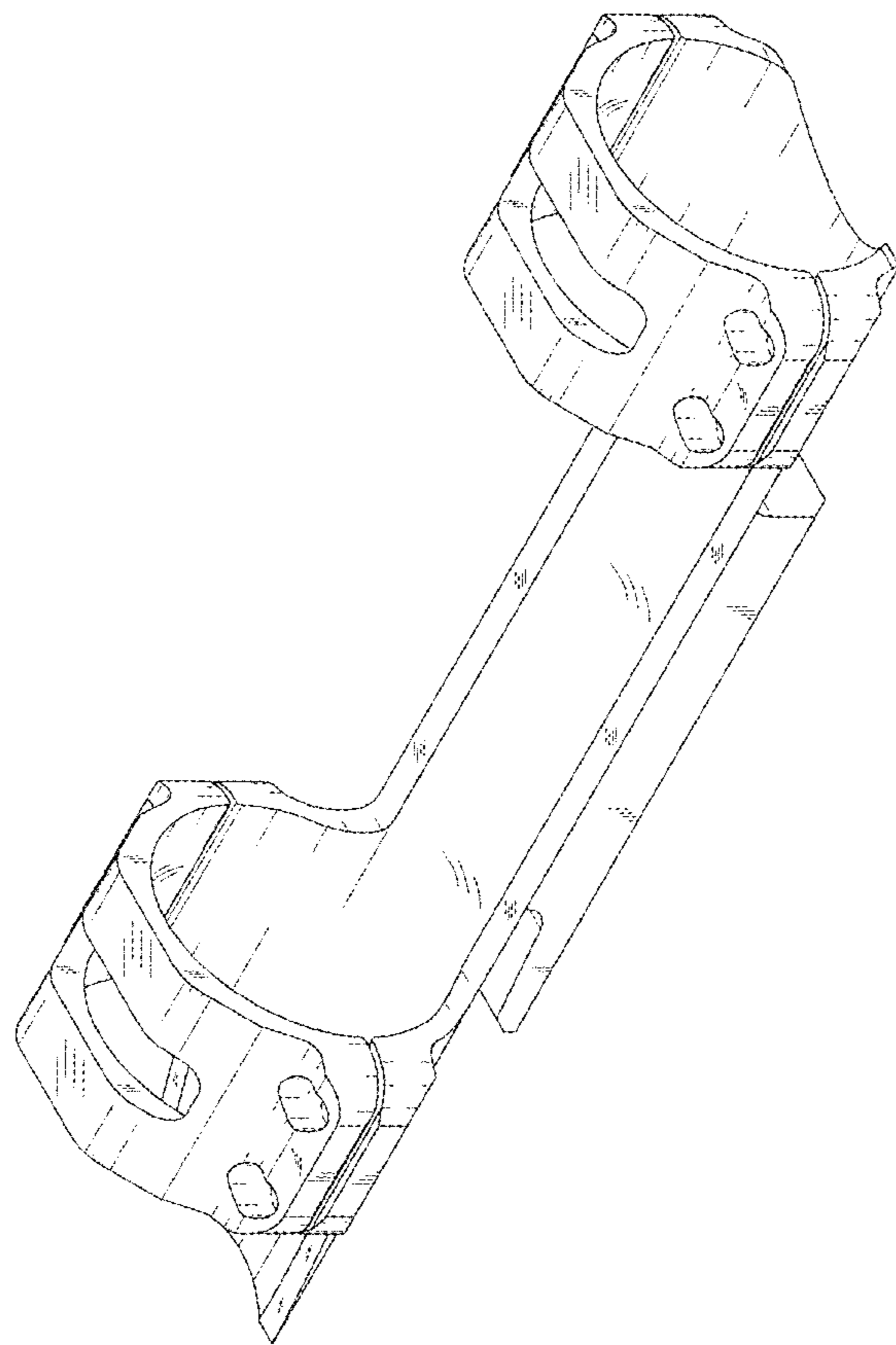


FIG. 34

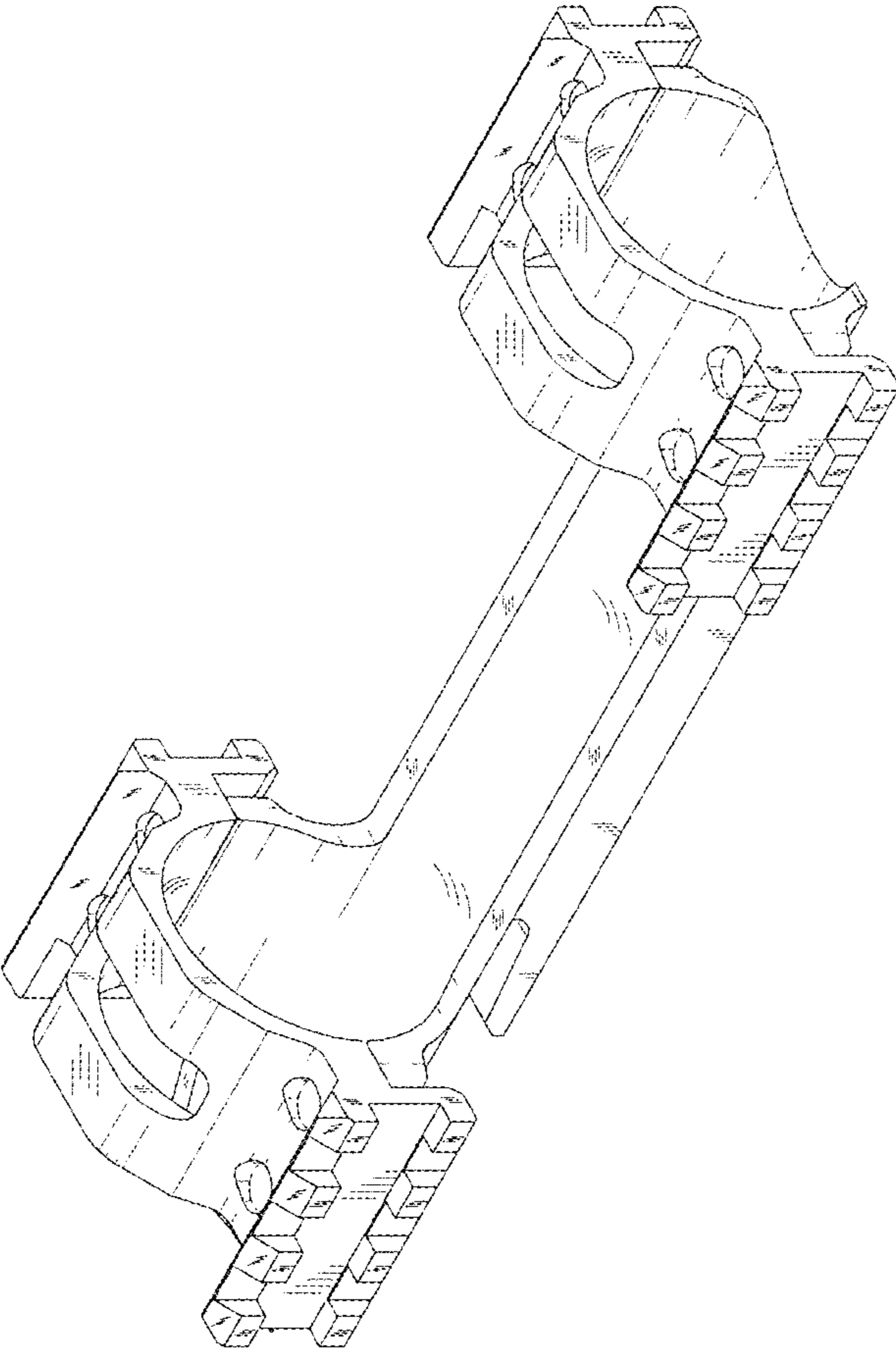


FIG.35