



US00D732630S

(12) **United States Design Patent**  
**Nevils**

(10) **Patent No.:** **US D732,630 S**

(45) **Date of Patent:** **\*\* Jun. 23, 2015**

(54) **SET OF FIREARM SIGHTS**

(71) Applicant: **Jacques A. Nevils**, Monument, CO (US)

(72) Inventor: **Jacques A. Nevils**, Monument, CO (US)

(\*\*) Term: **14 Years**

(21) Appl. No.: **29/467,234**

(22) Filed: **Sep. 17, 2013**

(51) **LOC (10) Cl.** ..... **22-01**

(52) **U.S. Cl.**  
USPC ..... **D22/109**

(58) **Field of Classification Search**  
USPC ..... D22/108-110, 199; 89/111-133;  
359/399, 823, 744; 42/104, 105,  
42/111-113, 116, 120, 124-129,  
42/133-148; 33/227, 229  
CPC ..... F41G 1/00; F41G 1/01; F41G 1/02;  
F41G 1/06; F41G 1/065; F41G 1/08; F41G  
1/10; F41G 1/12; F41G 1/14; F41G 1/30;  
F41G 1/32; F41G 1/38; F41G 1/40; F41G  
1/42; F41G 1/44; F41G 1/383; F41G 1/387;  
F41G 1/393; F41G 3/00; F41G 3/005; F41G  
3/02; F41G 3/04; F41G 3/06; F41G 3/14;  
F41G 11/002; F41G 11/003; F41G 11/004;  
F41G 11/005

See application file for complete search history.

(56) **References Cited**

**U.S. PATENT DOCUMENTS**

D432,618 S \* 10/2000 Wilson ..... D22/109  
D435,282 S \* 12/2000 Ling, Jr. .... D22/109  
D447,205 S \* 8/2001 Keng ..... D22/109  
D492,747 S \* 7/2004 LoRocco ..... D22/109  
D512,118 S \* 11/2005 Warren ..... D22/109  
D512,760 S \* 12/2005 Warren ..... D22/109

D512,761 S \* 12/2005 Warren ..... D22/109  
D662,170 S \* 6/2012 Keng ..... D22/109  
D663,375 S \* 7/2012 Glimpse et al. .... D22/109  
D667,522 S \* 9/2012 Glimpse et al. .... D22/109  
D667,523 S \* 9/2012 Glimpse et al. .... D22/109  
D667,524 S \* 9/2012 Glimpse et al. .... D22/109  
D667,525 S \* 9/2012 Glimpse et al. .... D22/109  
D679,359 S \* 4/2013 Adock, Jr. .... D22/109

\* cited by examiner

*Primary Examiner* — Michael A Pratt

(74) *Attorney, Agent, or Firm* — James L Jackson

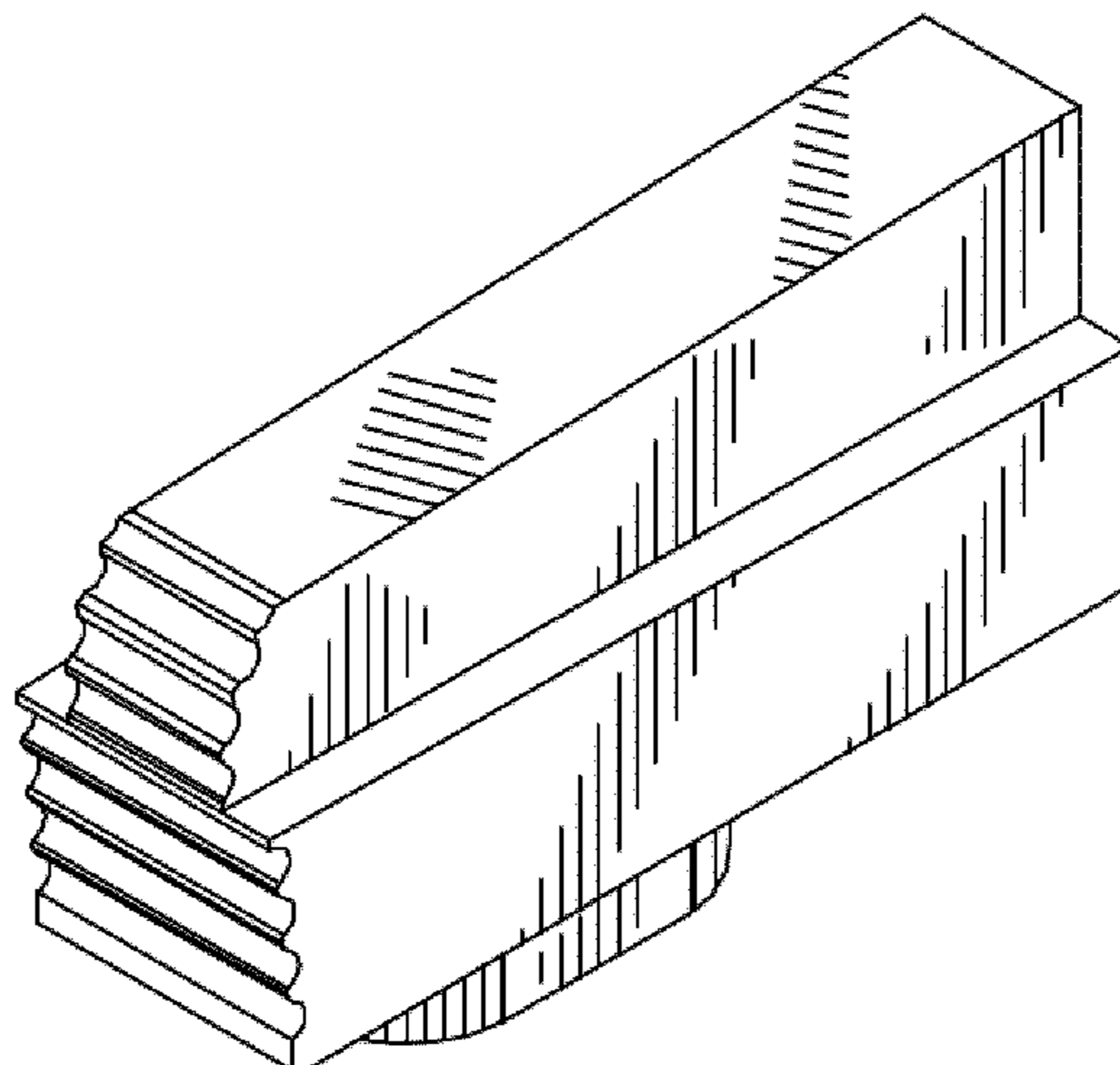
(57) **CLAIM**

The ornamental design for set of firearm sights, as shown and described.

**DESCRIPTION**

FIG. 1 is an isometric illustration of the front sight thereof of my new ornamental design for set of firearm sights showing side, top and front views thereof;  
FIG. 2 is a front elevation view of the front sight thereof;  
FIG. 3 is a rear elevation view of the front sight thereof;  
FIG. 4 is a bottom view of the front sight thereof;  
FIG. 5 is a side elevation view showing the left side of the front sight thereof;  
FIG. 6 is a side elevation view showing the right side of the front sight thereof;  
FIG. 7 is a front elevation view showing the rear sight thereof;  
FIG. 8 is a side elevation view showing the right side of the rear sight thereof;  
FIG. 9 is a side elevation view showing the left side of the rear sight thereof;  
FIG. 10 is a rear elevation view showing the rear sight thereof;  
FIG. 11 is a bottom view of the rear sight thereof; and,  
FIG. 12 is a top view of the rear sight thereof.

**1 Claim, 2 Drawing Sheets**



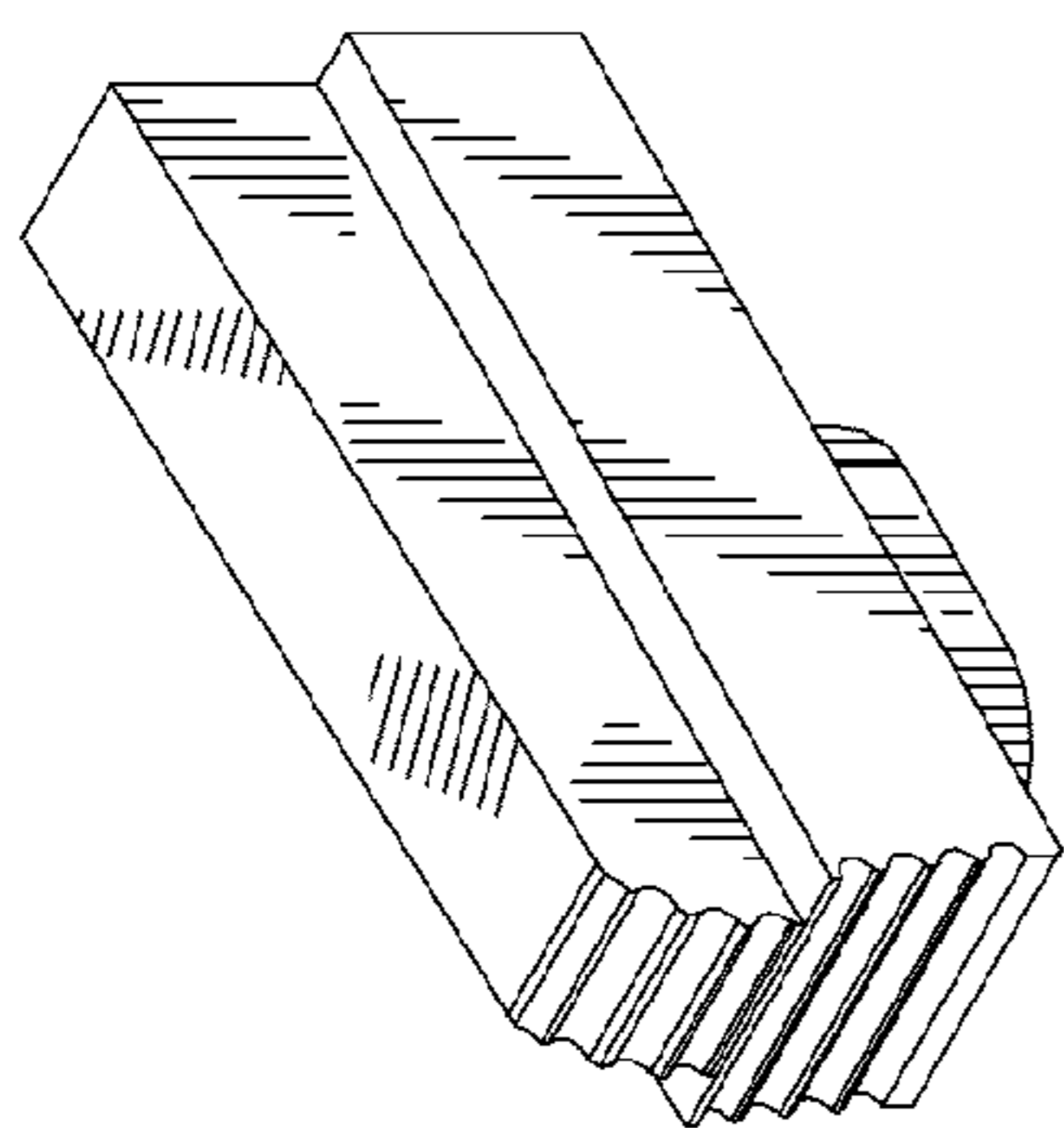


FIG. 1

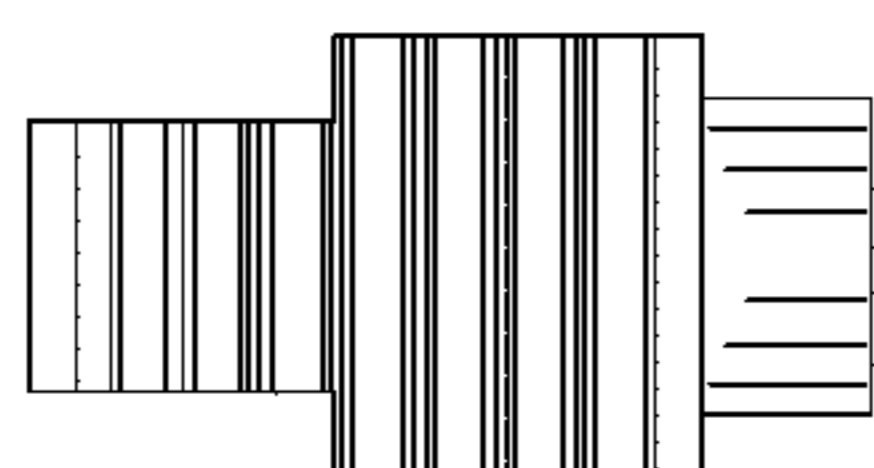


FIG. 2



FIG. 3

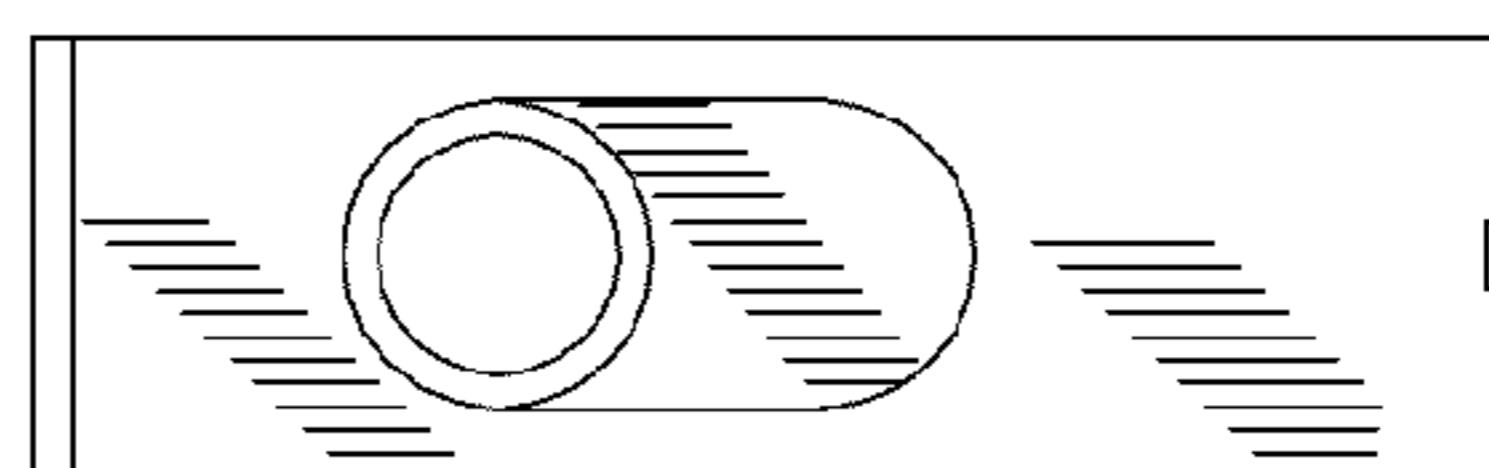


FIG. 4

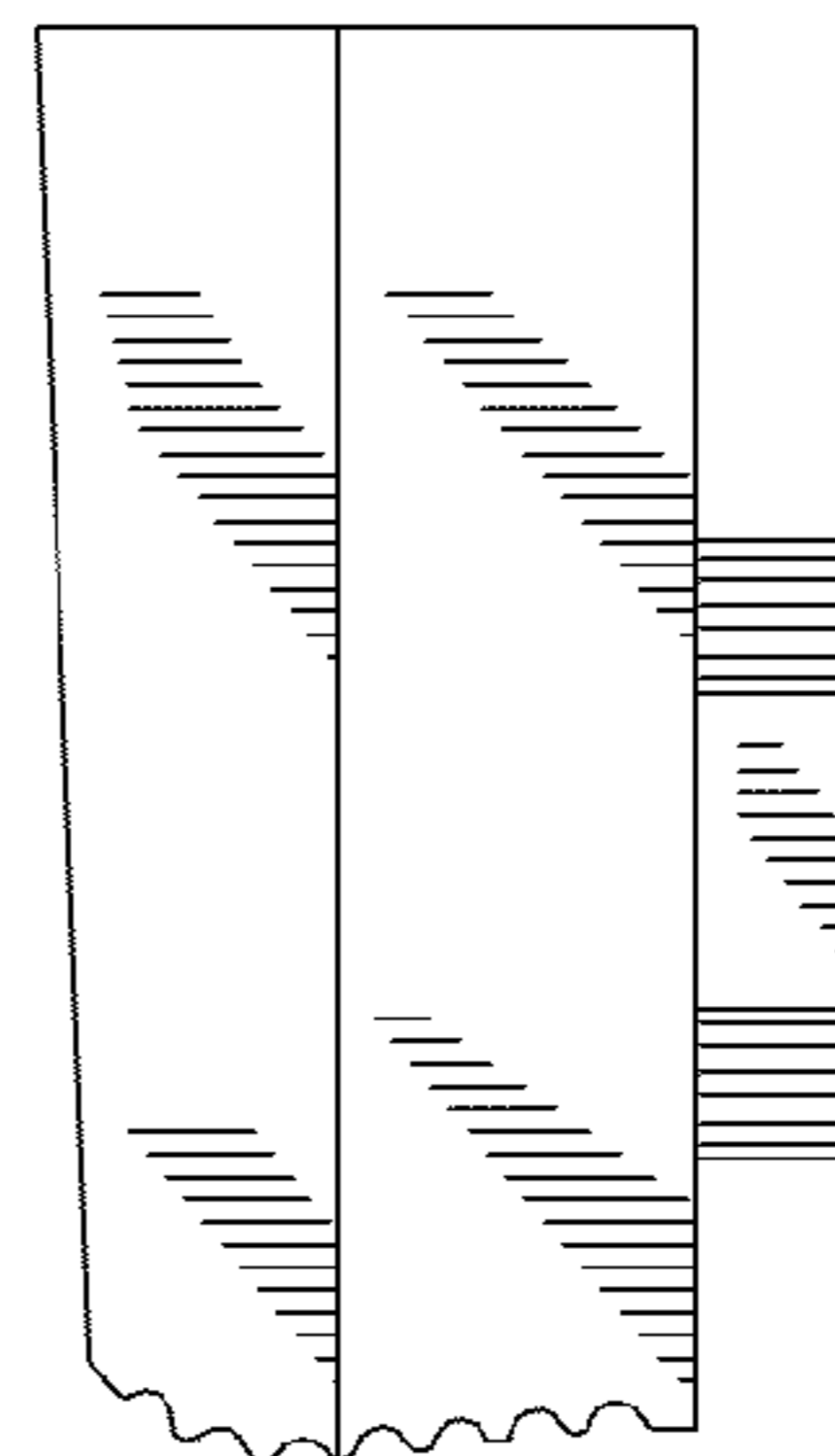


FIG. 5

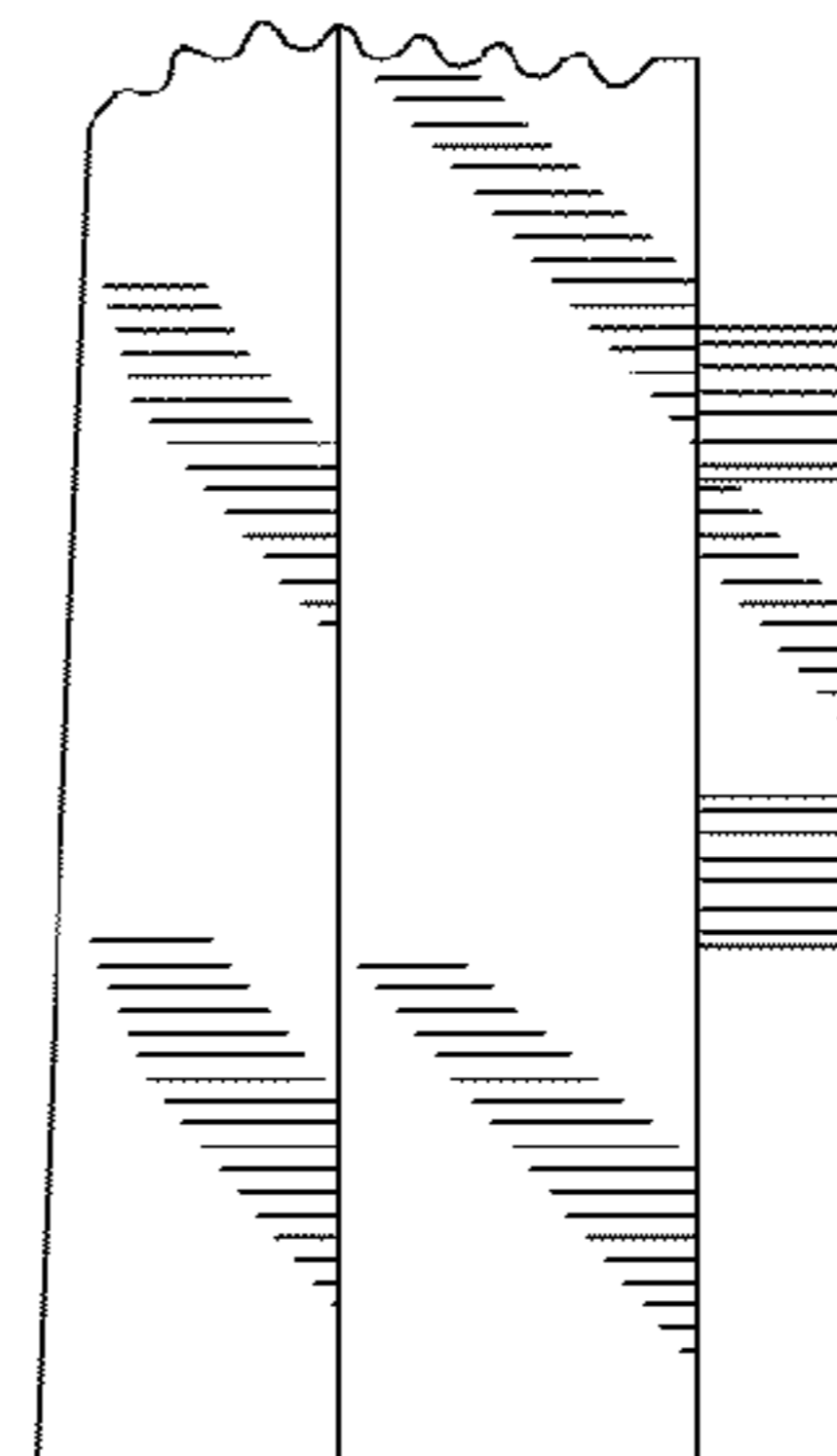


FIG. 6

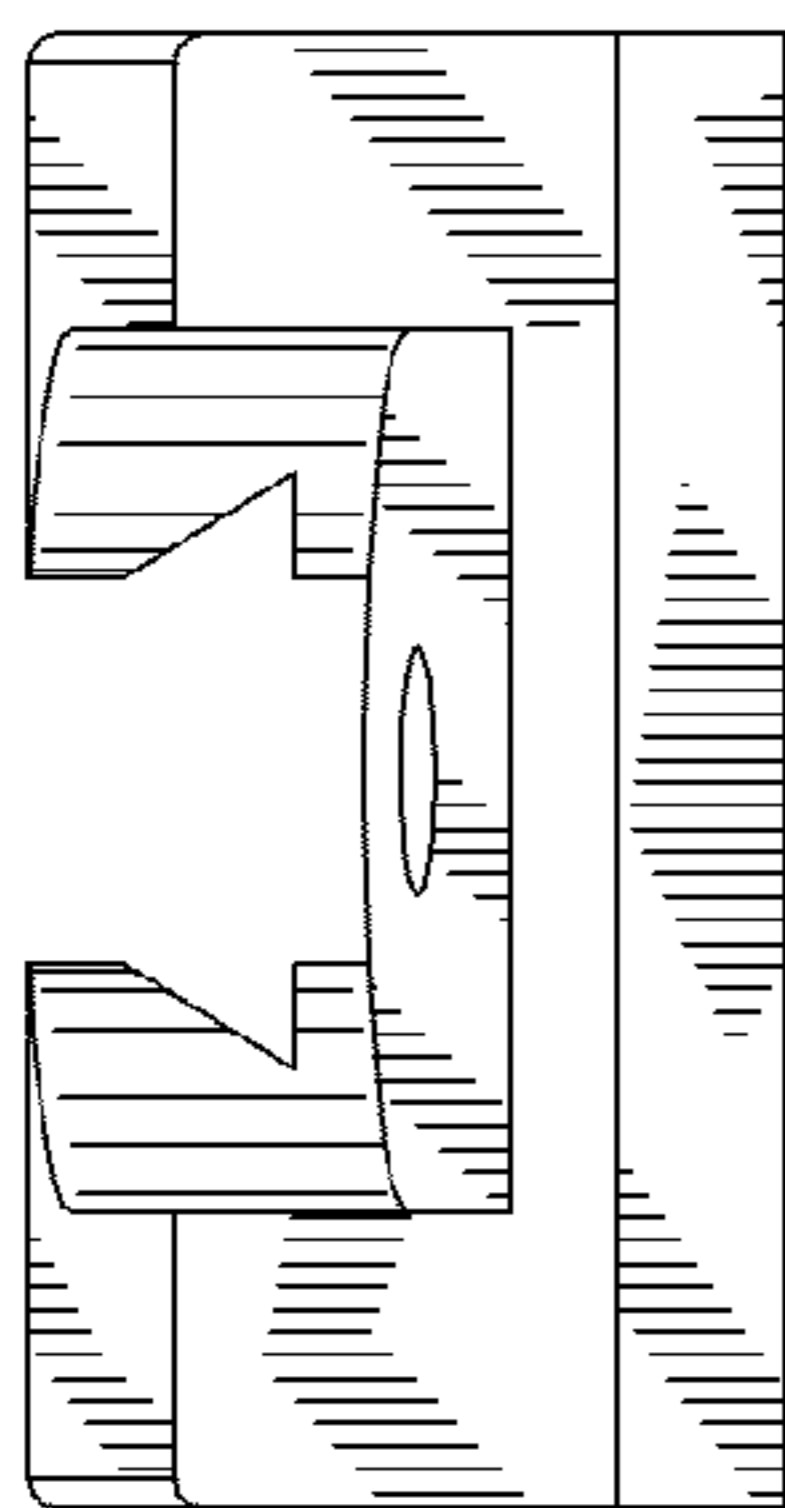


FIG. 7

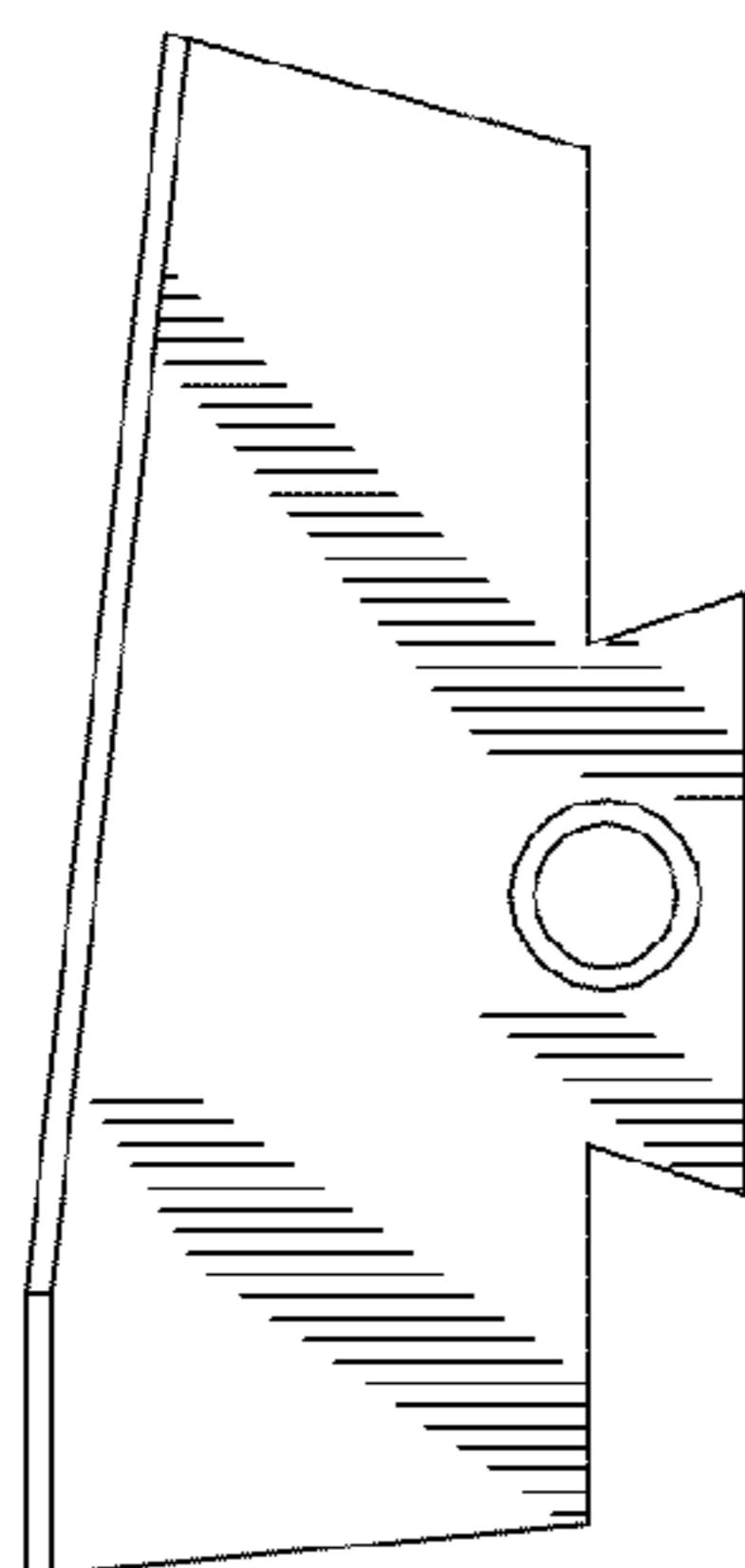


FIG. 8

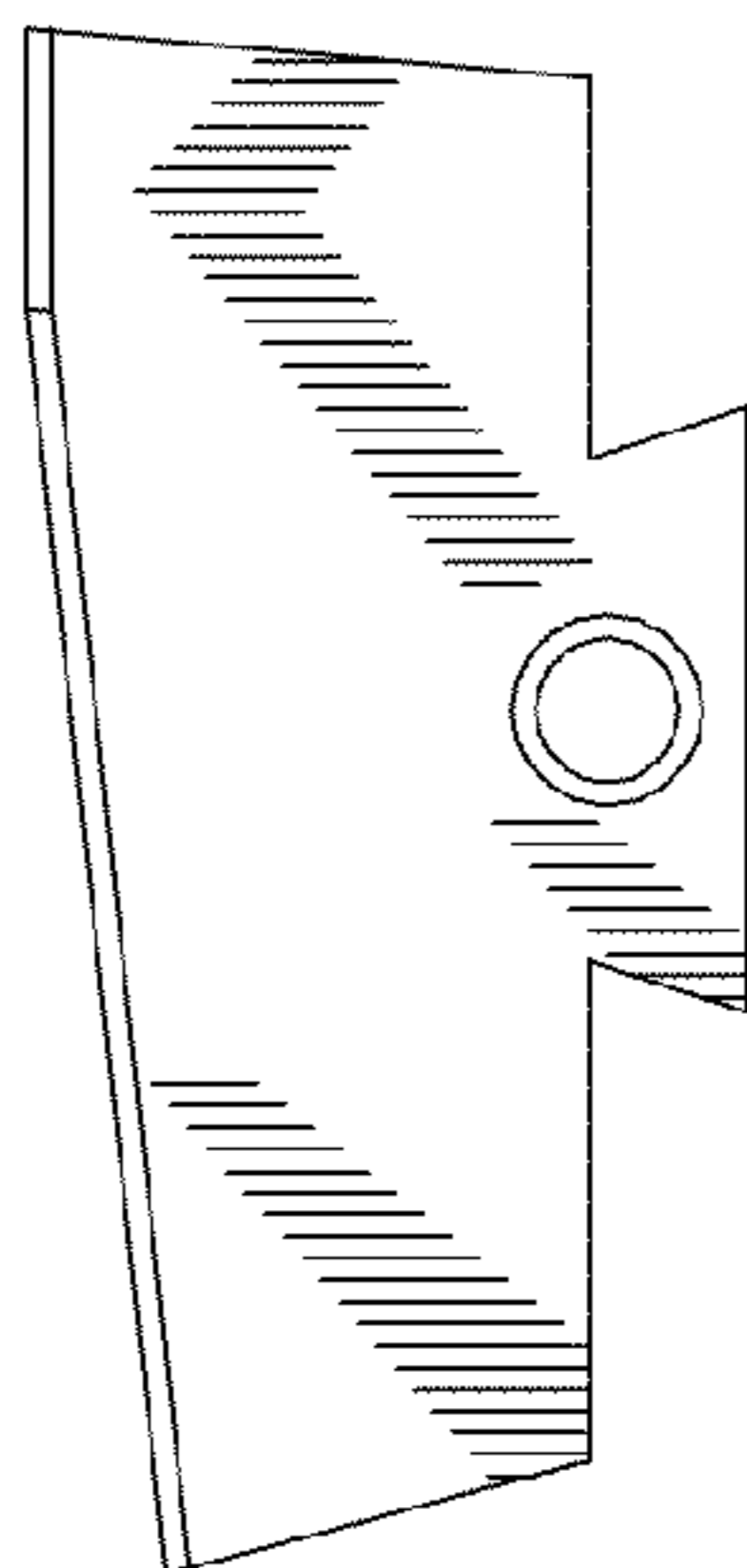


FIG. 9

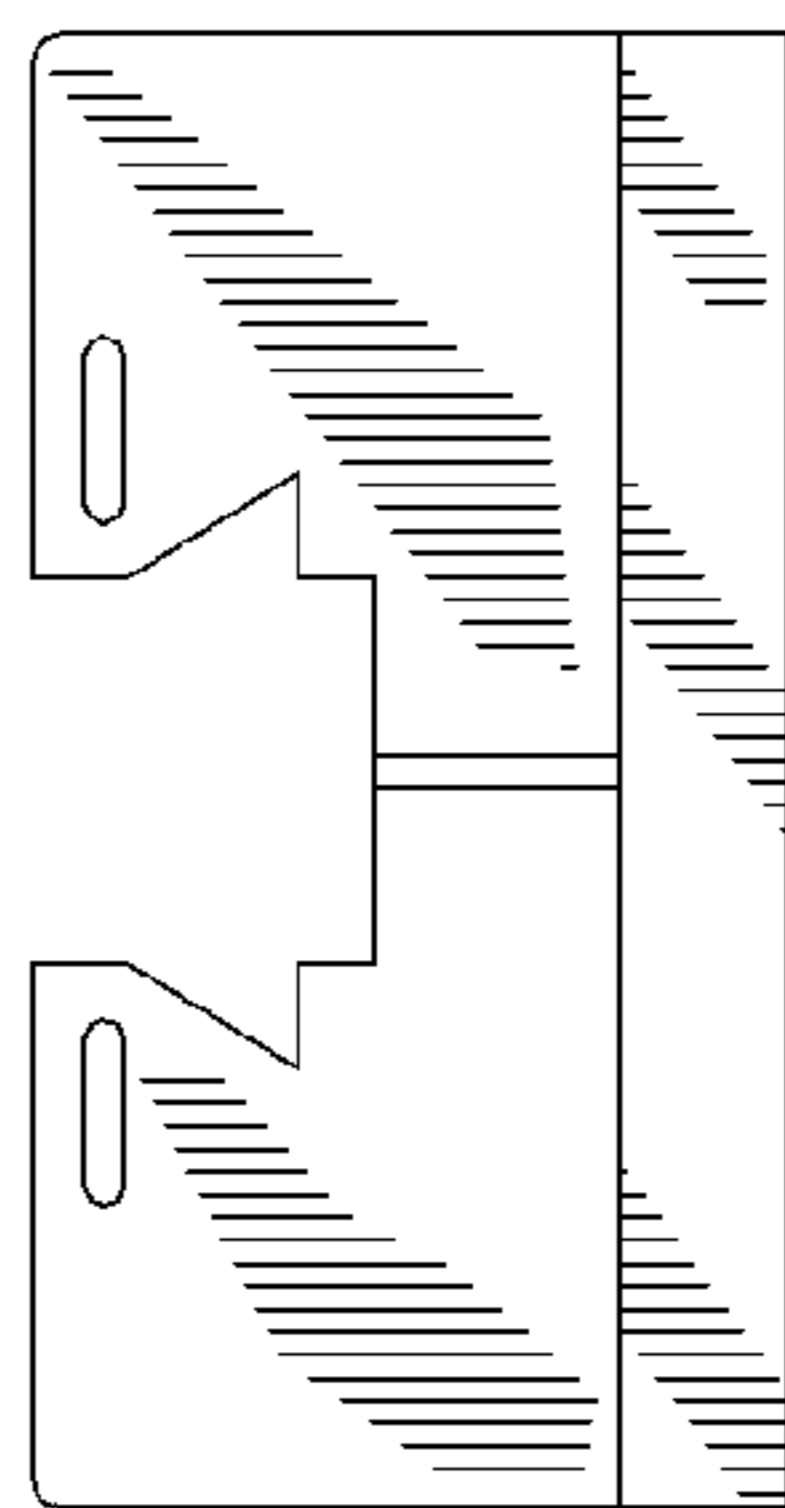


FIG. 10

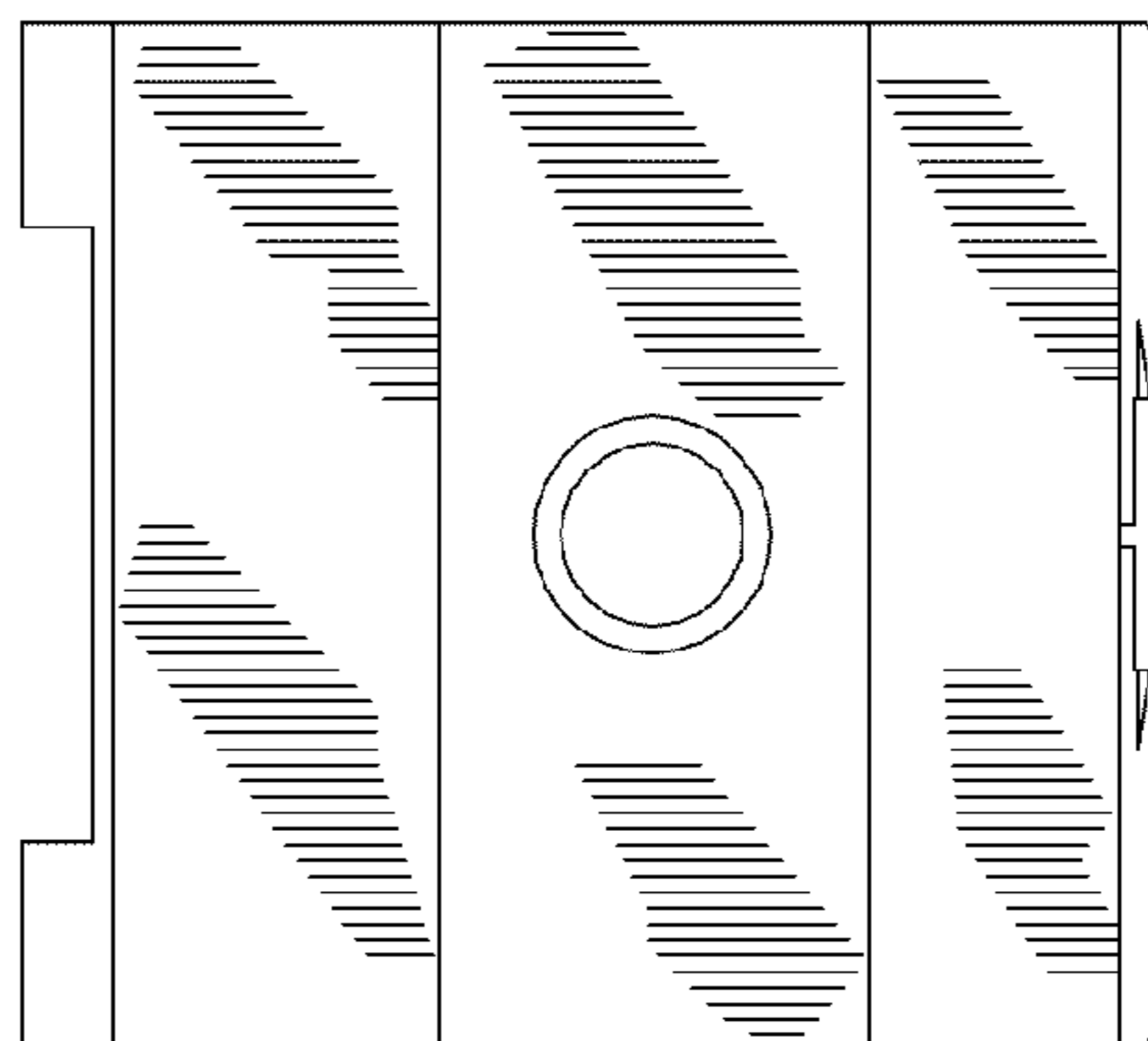


FIG. 11

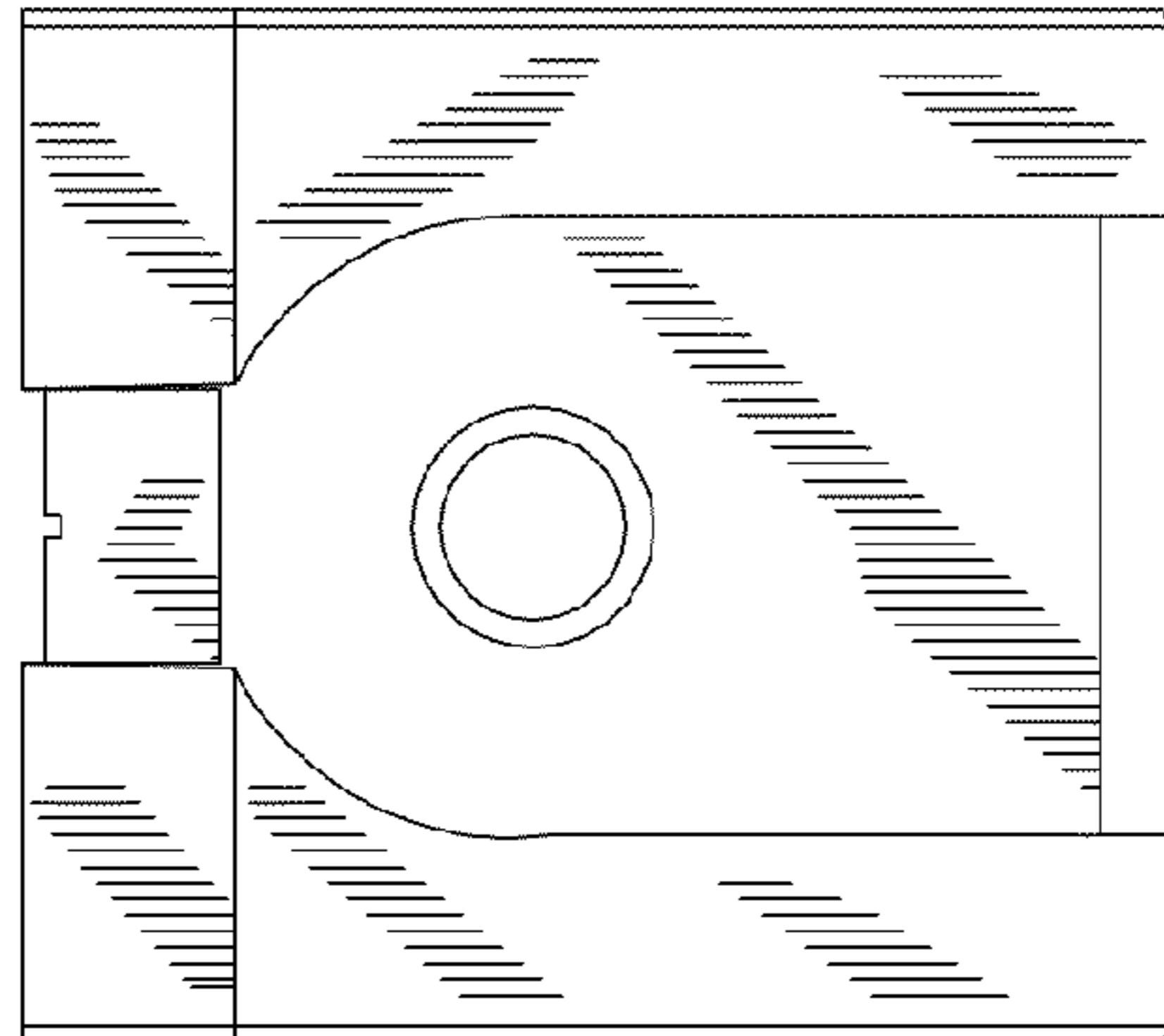


FIG. 12