



US00D732629S

(12) **United States Design Patent**
Wolf

(10) **Patent No.:** **US D732,629 S**
(45) **Date of Patent:** **** Jun. 23, 2015**

(54) **SLIDE FOR A SEMIAUTOMATIC FIREARM**

(71) Applicant: **ZEV Technologies, Inc.**, Oxnard, CA
(US)

(72) Inventor: **Alec Daniel Wolf**, Newbury Park, CA
(US)

(73) Assignee: **Zev Technologies, Inc.**, Oxnard, CA
(US)

(**) Term: **14 Years**

(21) Appl. No.: **29/479,787**

(22) Filed: **Jan. 20, 2014**

(51) **LOC (10) Cl.** **22-01**

(52) **U.S. Cl.**
USPC **D22/108**

(58) **Field of Classification Search**
USPC D22/104, 108; 89/40.06, 41.19, 37.04,
89/33.04, 191.01, 200-204; D21/145,
D21/146, 147, 567, 572, 573-575; 42/40,
42/41, 42.01, 42.02, 42.03, 43, 44, 45, 57,
42/69.01, 71.02, 72, 100; 124/31, 37;
362/110, 113
CPC F41C 3/00; F41C 3/005; F41C 3/02;
F41C 3/04; F41C 3/06; F41C 3/14; F41C
3/16; F41C 9/02; F41C 9/04; F41C 9/06;
F41C 9/08

See application file for complete search history.

(56) **References Cited**

U.S. PATENT DOCUMENTS

5,758,524 A * 6/1998 Yu 70/276
8,468,734 B2 * 6/2013 Meller et al. 42/90

8,881,443 B2 * 11/2014 Westwood et al. 42/70.05
8,950,100 B2 * 2/2015 Nebeker et al. 42/108
2001/0037596 A1 * 11/2001 salvitti 42/70.08
2007/0199227 A1 * 8/2007 Ertl 42/137
2011/0088304 A1 * 4/2011 Lorenzut 42/1.06
2011/0088539 A1 * 4/2011 Oz 89/1.4
2011/0154710 A1 * 6/2011 Hatfield 42/90
2012/0317856 A1 * 12/2012 Burke et al. 42/16
2013/0283660 A1 * 10/2013 Matthews et al. 42/113
2014/0053445 A1 * 2/2014 Wolf 42/14
2014/0298703 A1 * 10/2014 Gale et al. 42/71.02

* cited by examiner

Primary Examiner — Michael A Pratt

(74) *Attorney, Agent, or Firm* — Knobbe Martens Olson &
Bear LLP

(57) **CLAIM**

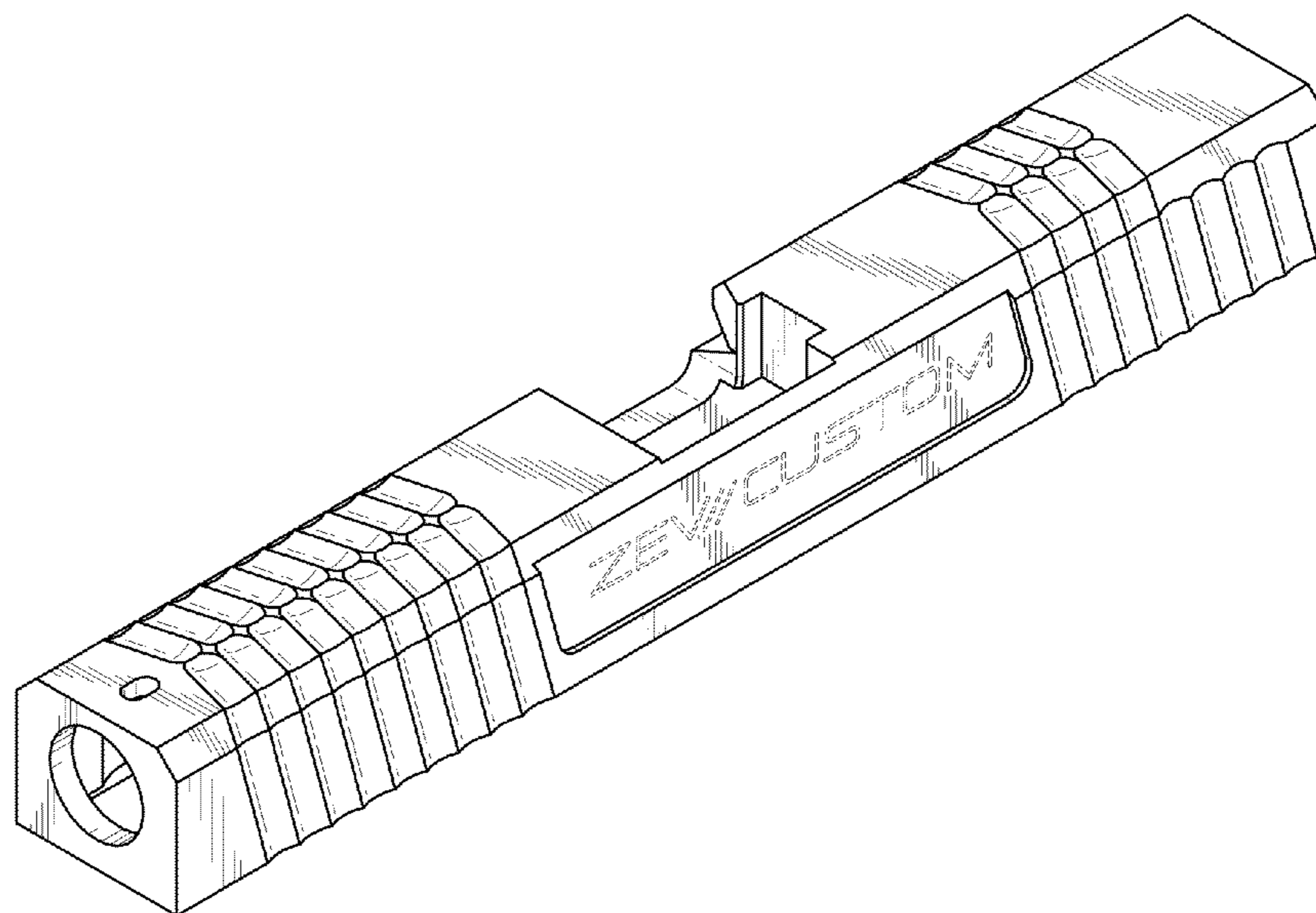
The ornamental design for a slide for a semiautomatic fire-
arm, as shown and described.

DESCRIPTION

FIG. 1 is a perspective view of the slide for a semiautomatic
firearm;
FIG. 2 is a front view thereof;
FIG. 3 is a back view thereof;
FIG. 4 is a right hand side thereof;
FIG. 5 is a left hand side thereof;
FIG. 6 is a top view thereof;
FIG. 7 is a bottom view thereof; and,
FIG. 8 is a perspective view of the slide as mounted on a gun
frame.

The broken lines showing additional features of the slide for
a semiautomatic firearm are for illustrative purposes only and
form no part of the claimed design.

1 Claim, 5 Drawing Sheets



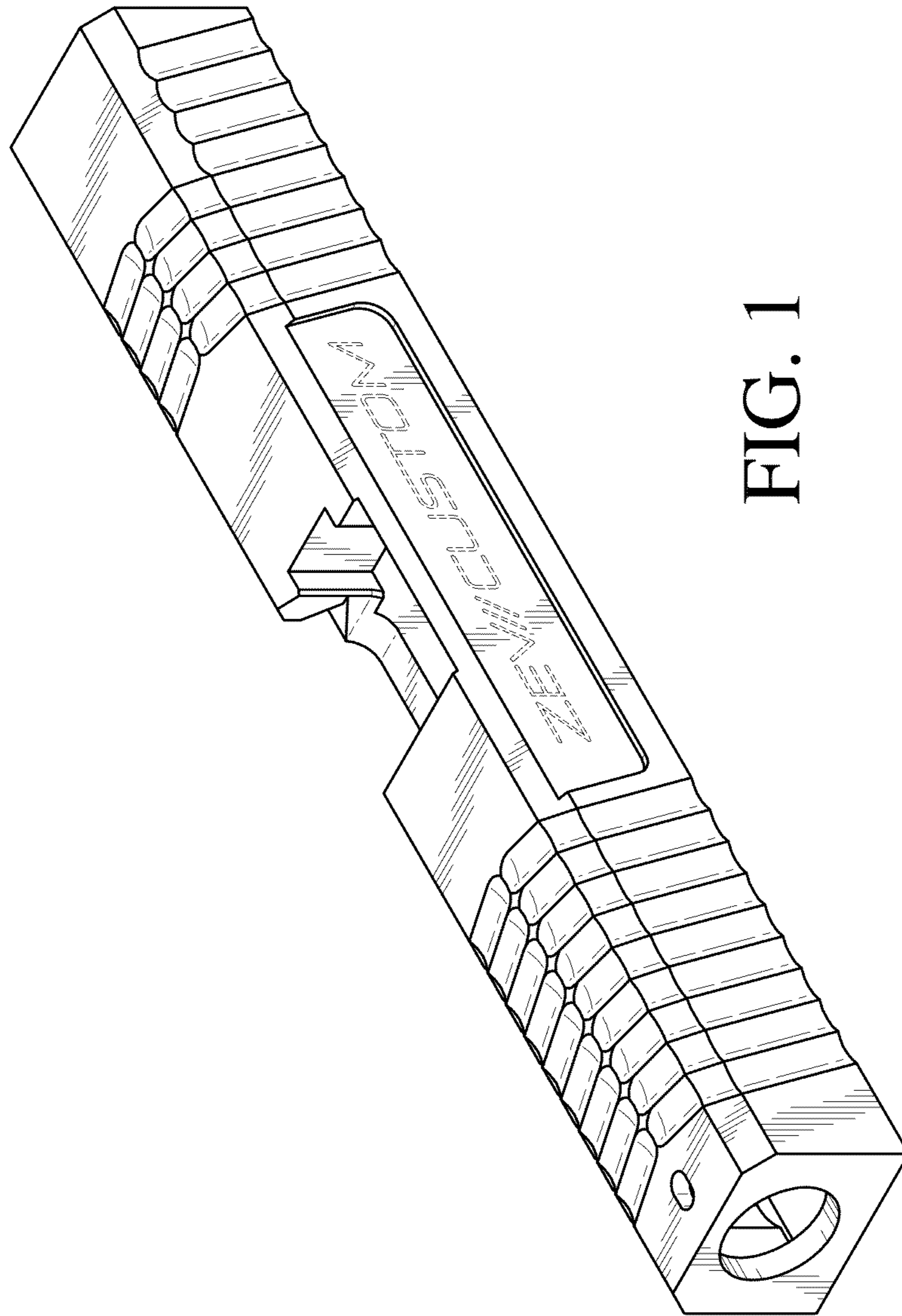


FIG. 1

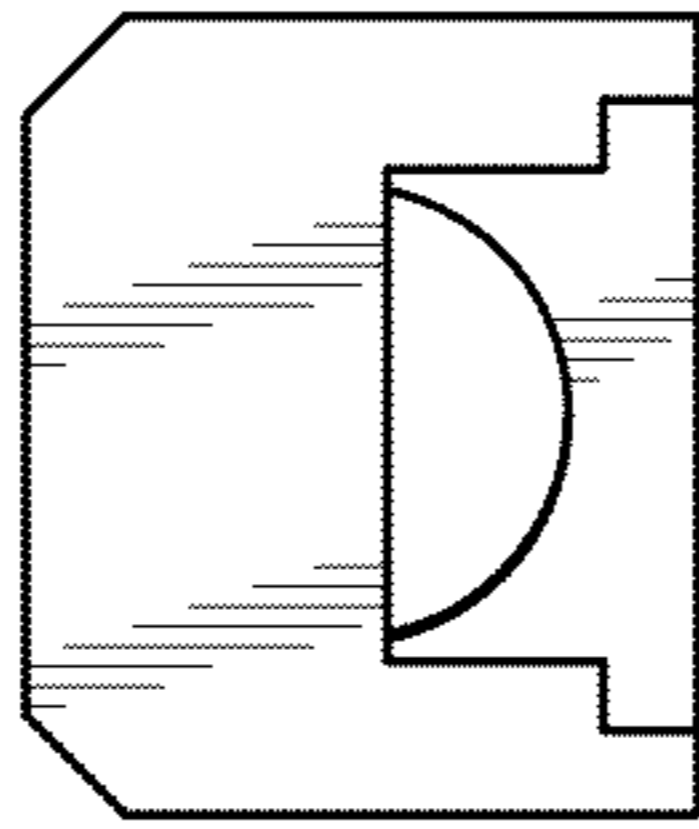


FIG. 3

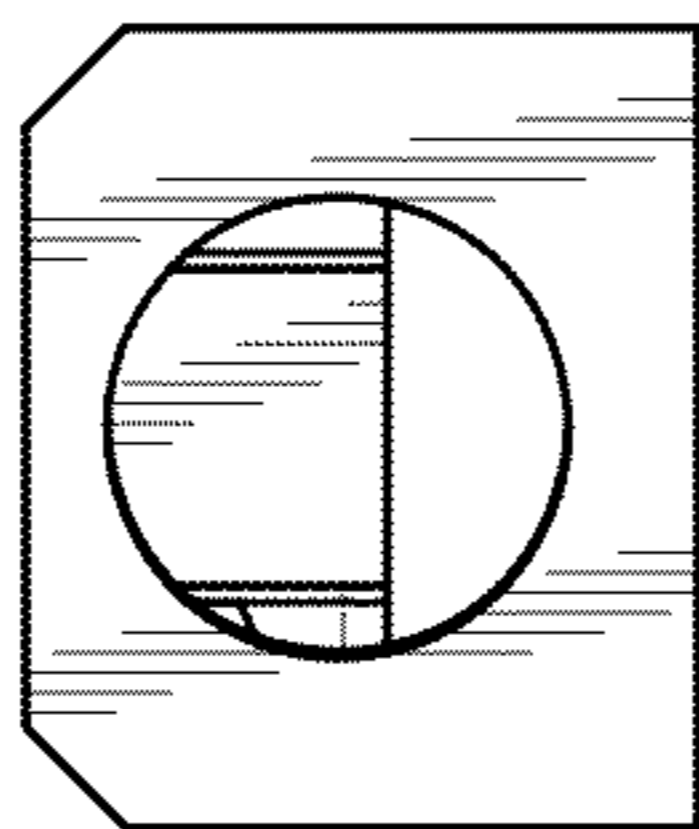


FIG. 2

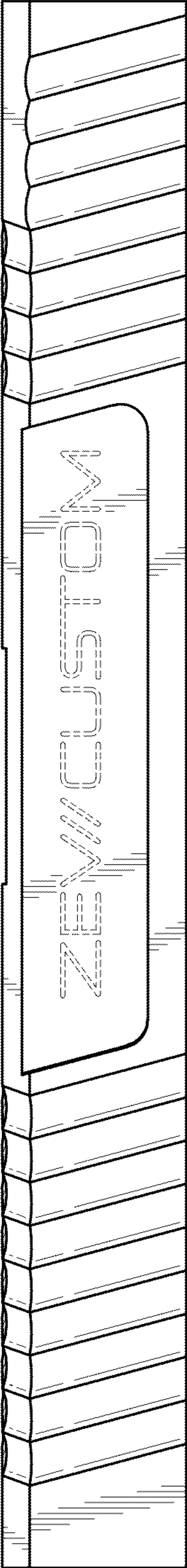


FIG. 4

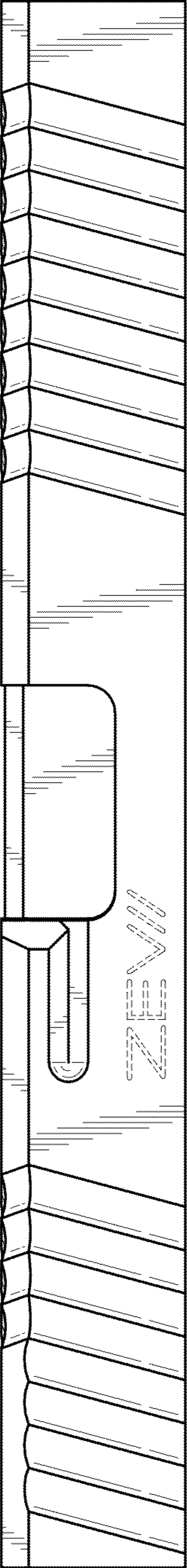


FIG. 5

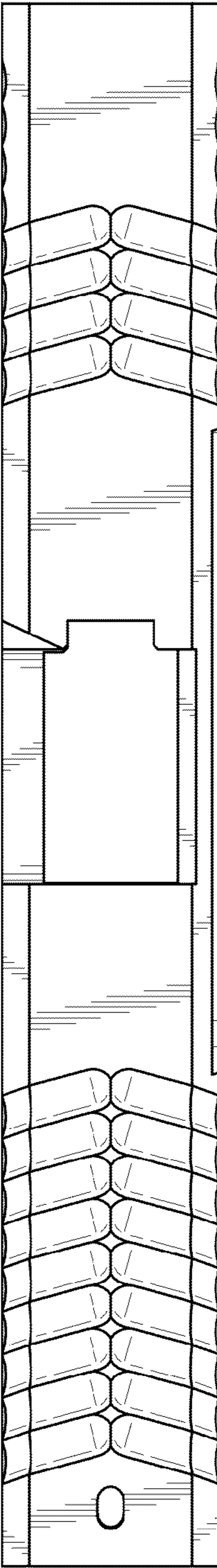


FIG. 6

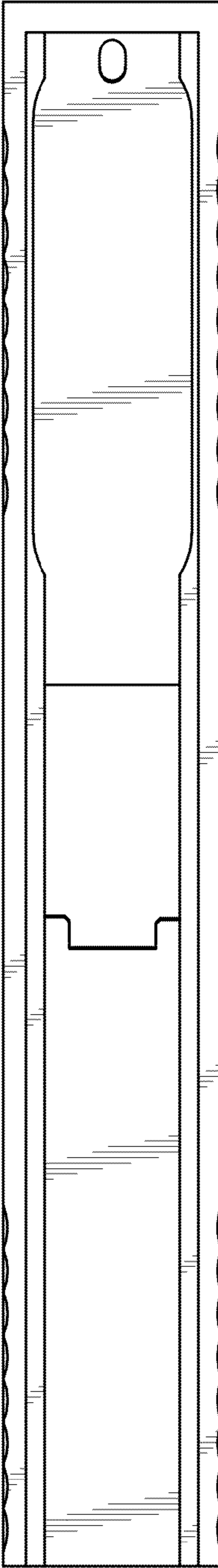


FIG. 7

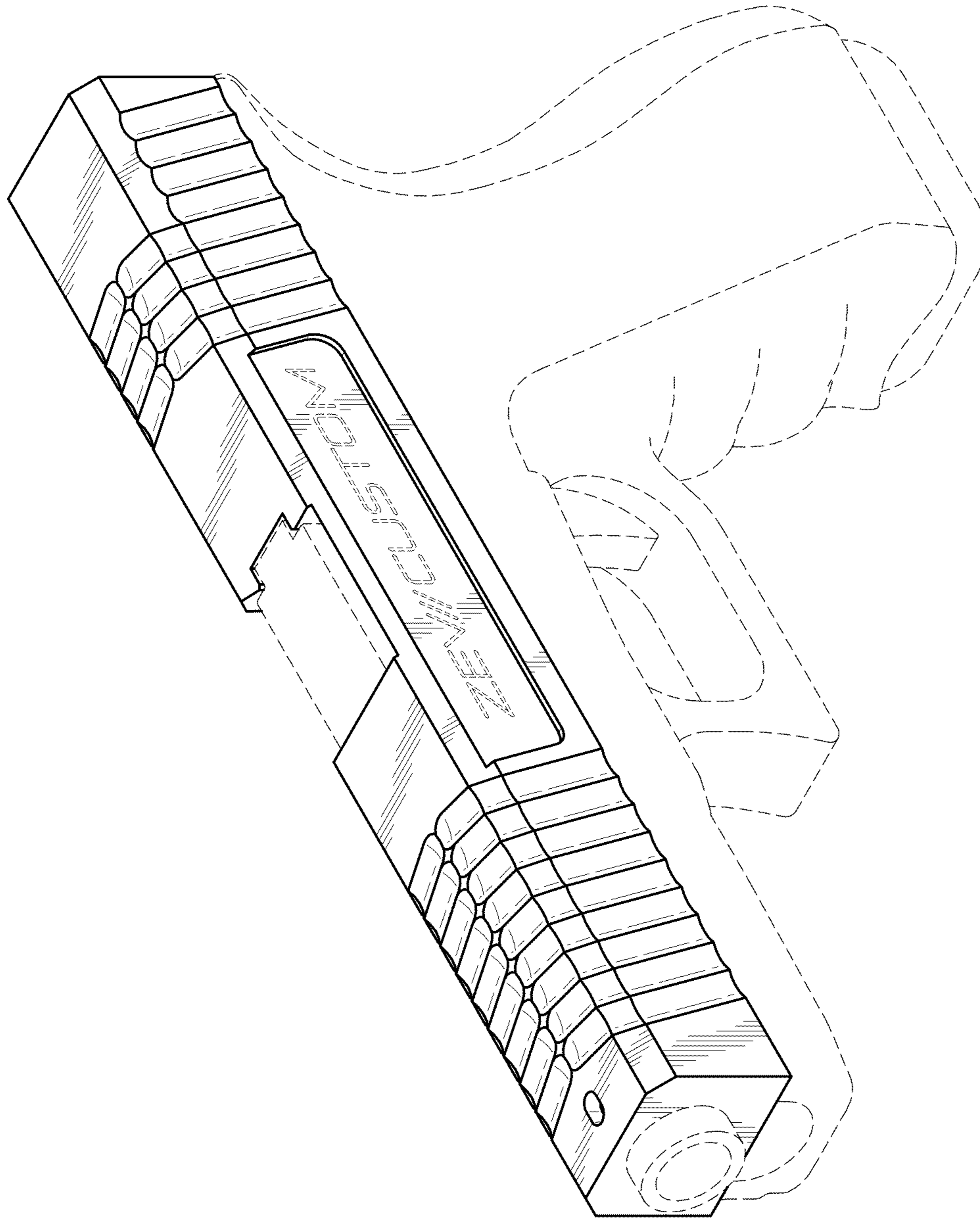


FIG. 8