



US00D732627S

(12) **United States Design Patent**
Siddle et al.

(10) **Patent No.:** **US D732,627 S**
(45) **Date of Patent:** **** Jun. 23, 2015**

- (54) **BODY FOR A FIREARM**
- (71) Applicant: **Double Nickel Holdings, LLC,**
Millstadt, IL (US)
- (72) Inventors: **Bruce K. Siddle,** Millstadt, IL (US);
Kevin Siddle, Millstadt, IL (US)
- (73) Assignee: **Double Nickel Holdings, LLC,**
Millstadt, IL (US)
- (**) Term: **14 Years**
- (21) Appl. No.: **29/478,734**
- (22) Filed: **Jan. 8, 2014**
- (51) **LOC (10) Cl.** **22-01**
- (52) **U.S. Cl.**
USPC **D22/108**
- (58) **Field of Classification Search**
USPC D22/104, 108; 89/40.06, 41.19, 37.04,
89/33.04, 191.01, 200-204; D21/145,
D21/146, 147, 567, 572, 573-575; 42/40,
42/41, 42.01, 42.02, 42.03, 43, 44, 45, 57,
42/69.01, 71.02, 72, 100; 124/31, 37;
362/110, 113
CPC F41C 3/00; F41C 3/005; F41C 3/02;
F41C 3/04; F41C 3/06; F41C 3/14; F41C
3/16; F41C 9/02; F41C 9/04; F41C 9/06;
F41C 9/08
See application file for complete search history.

7,191,556	B2 *	3/2007	Pikielny	42/7
7,506,469	B2 *	3/2009	Poulin et al.	42/71.02
7,937,874	B2 *	5/2011	Roth	42/72
2010/0269390	A1 *	10/2010	LaTorre et al.	42/49.01
2013/0152444	A1 *	6/2013	Tatum	42/70.05
2014/0338243	A1 *	11/2014	La Vigne	42/16
2014/0338522	A1 *	11/2014	Bellione	89/139

* cited by examiner

Primary Examiner — Michael A Pratt
(74) *Attorney, Agent, or Firm* — Thompson Coburn LLP

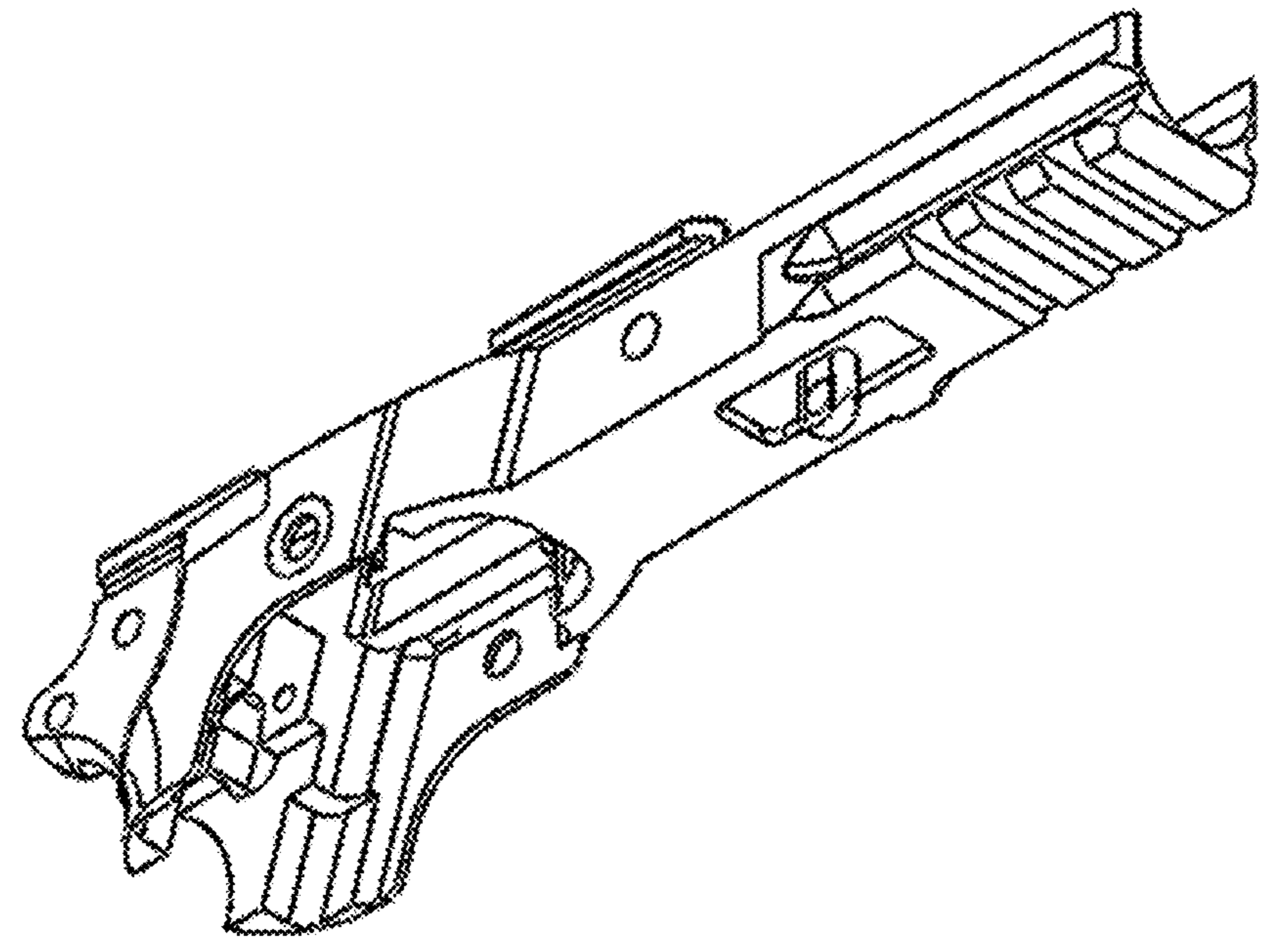
(57) **CLAIM**
An ornamental design for a body for a firearm, as shown and described.

DESCRIPTION

FIG. 1 is a bottom perspective view of a body for a firearm showing our new design;
FIG. 2 is another bottom perspective view of the body of FIG. 1;
FIG. 3 is a top perspective view of the body of FIG. 1;
FIG. 4 is an alternate top perspective view of the body of FIG. 1;
FIG. 5 is an alternate top perspective view of the body of FIG. 1;
FIG. 6 is an alternate top perspective view of the body of FIG. 1;
FIG. 7 is a top view of the body of FIG. 1;
FIG. 8 is a side view of the body of FIG. 1;
FIG. 9 is a bottom view of the body of FIG. 1;
FIG. 10 is an alternate side view of the body of FIG. 1;
FIG. 11 is an end view of the body of FIGS. 1; and,
FIG. 12 is alternate end view of the body of FIG. 1.

- (56) **References Cited**
U.S. PATENT DOCUMENTS
5,852,893 A * 12/1998 Fujimori 42/106
6,952,895 B1 * 10/2005 Zonshine 42/70.02

1 Claim, 6 Drawing Sheets



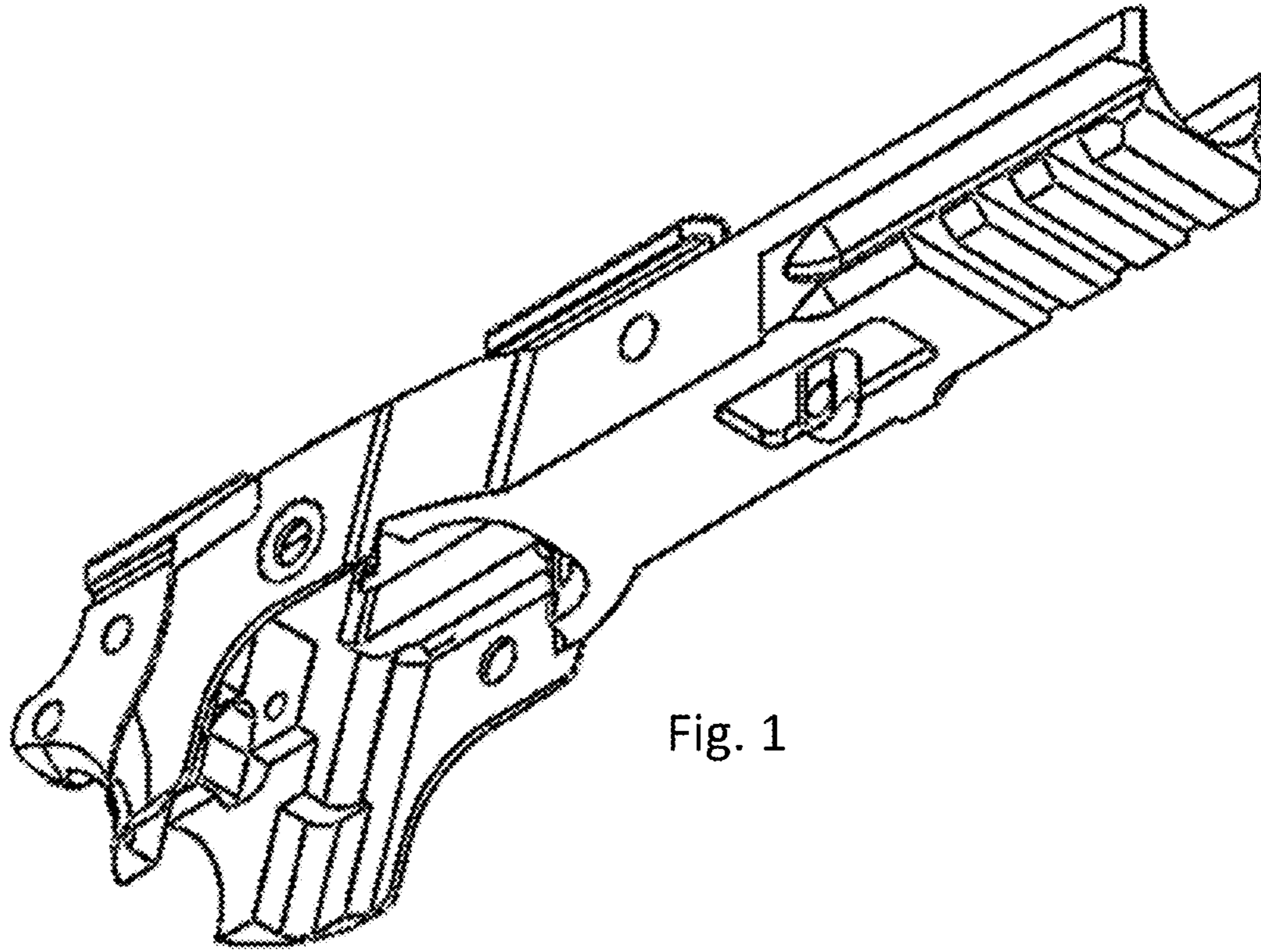


Fig. 1

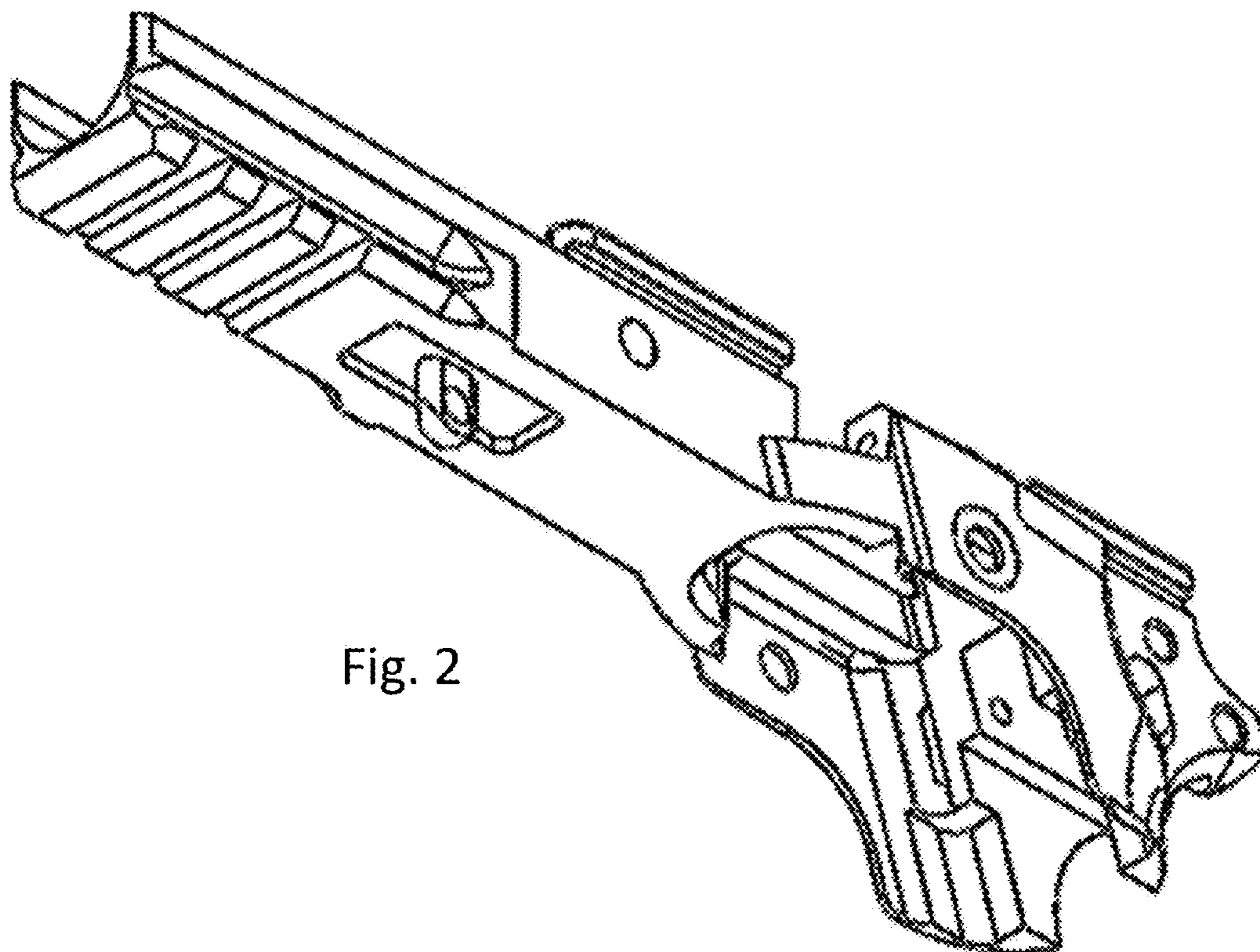


Fig. 2

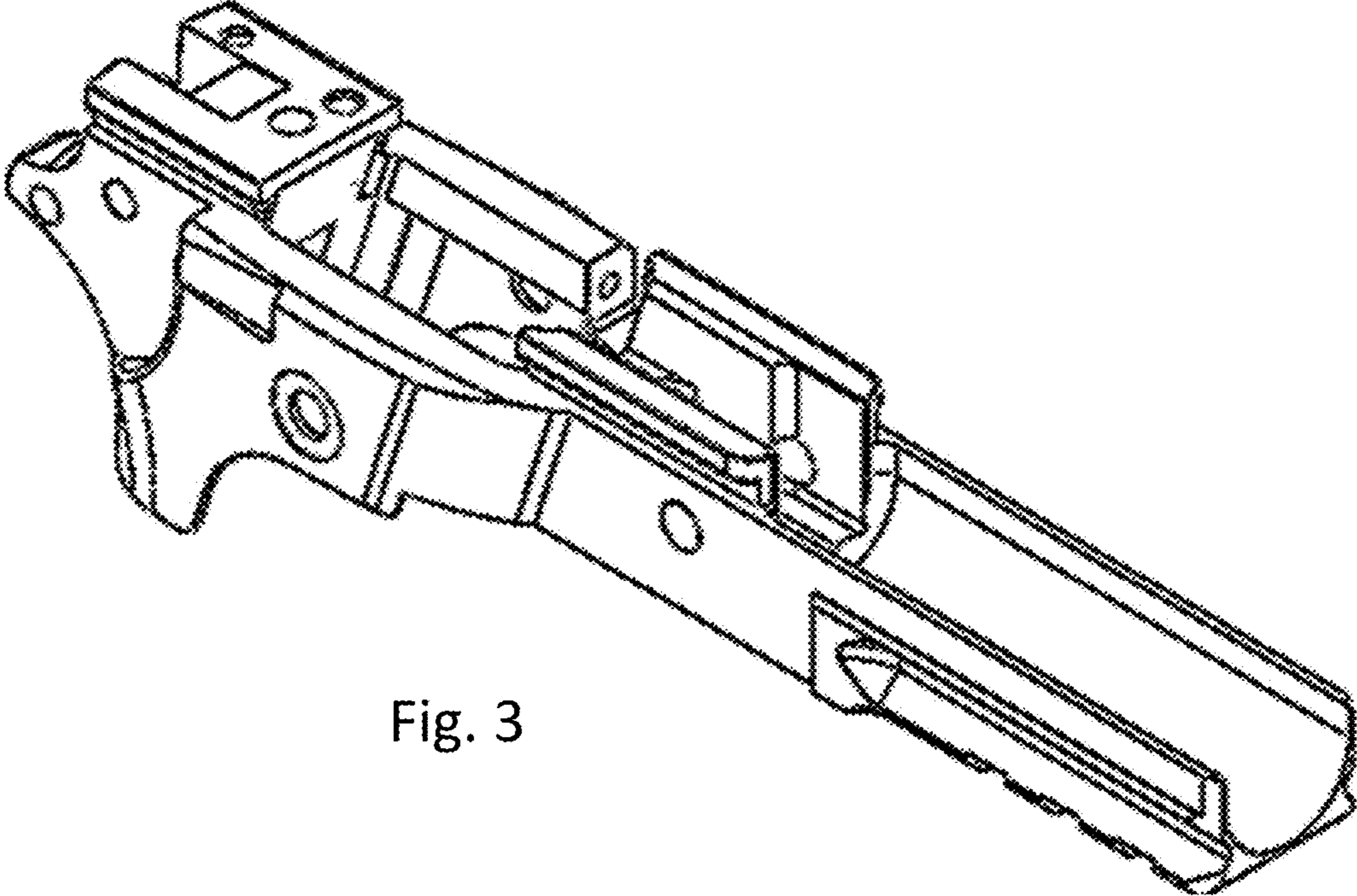


Fig. 3

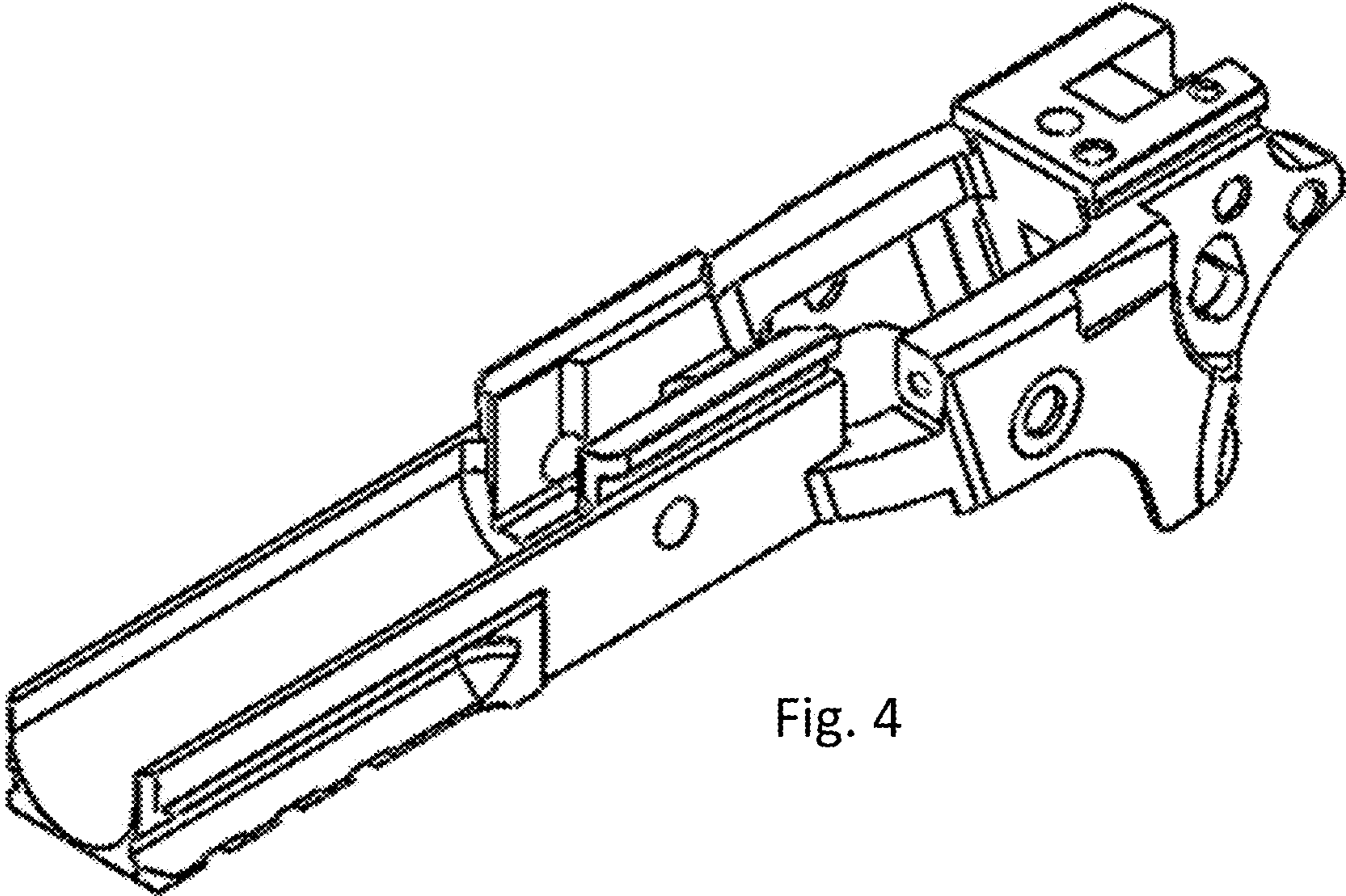


Fig. 4

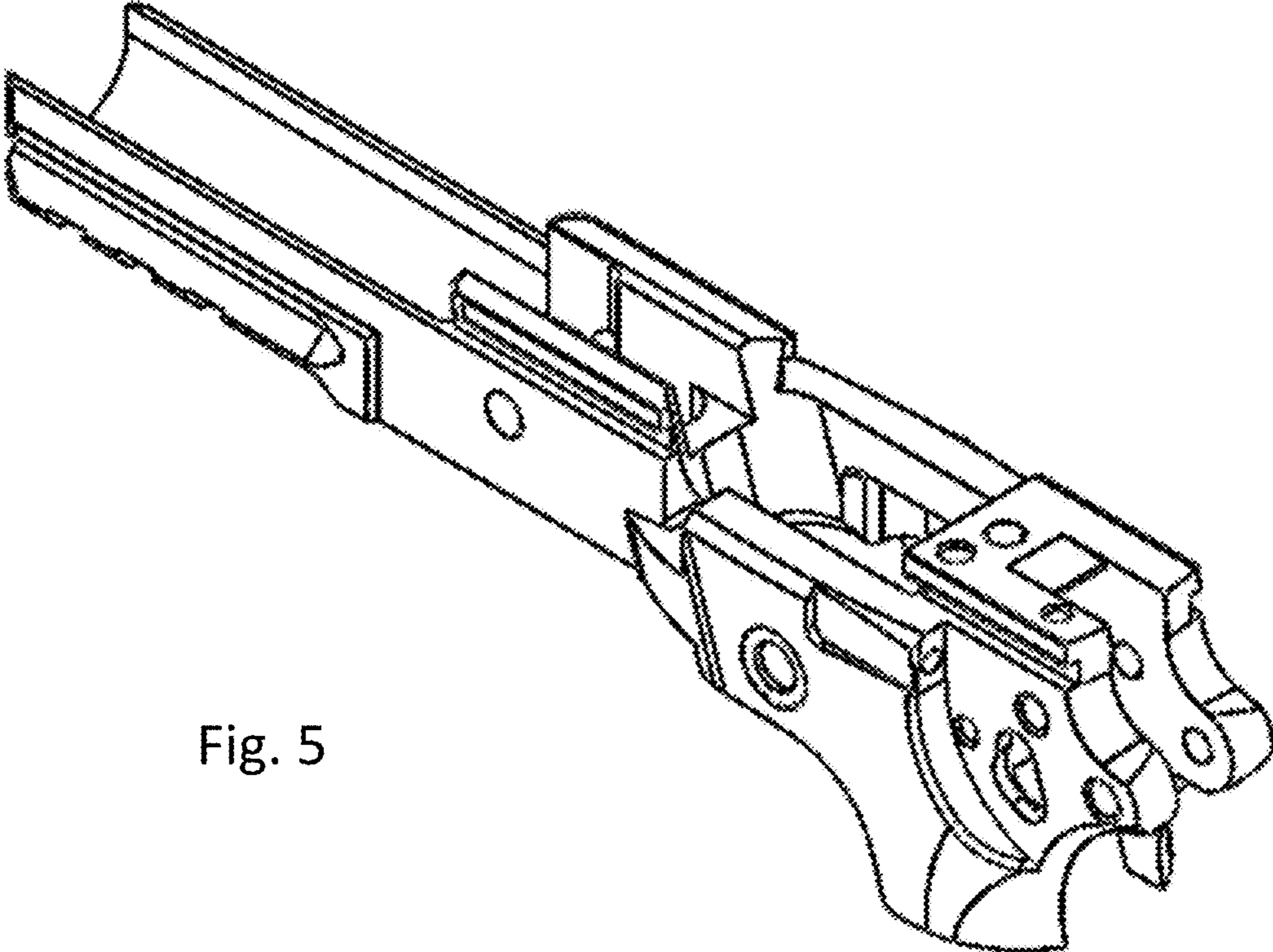


Fig. 5

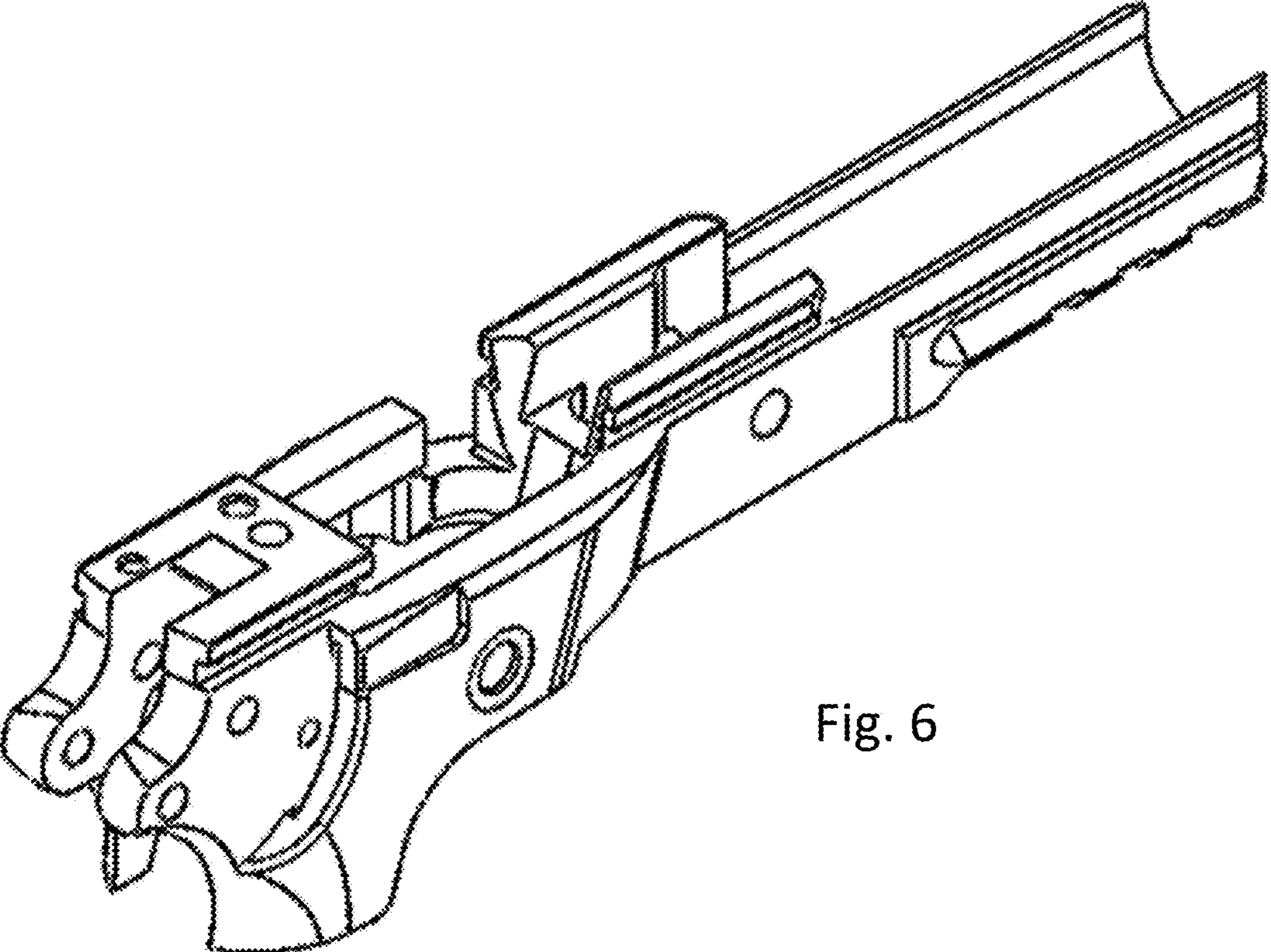


Fig. 6

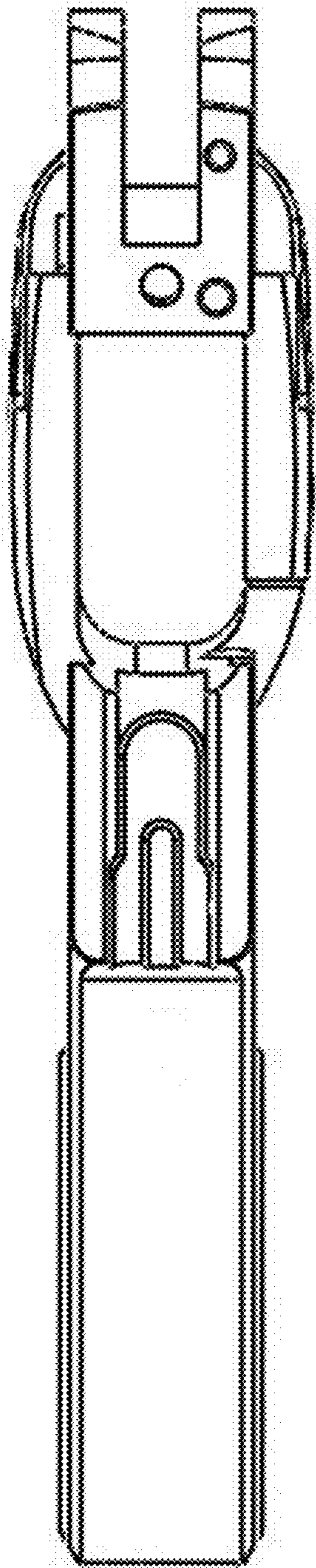


Fig. 7

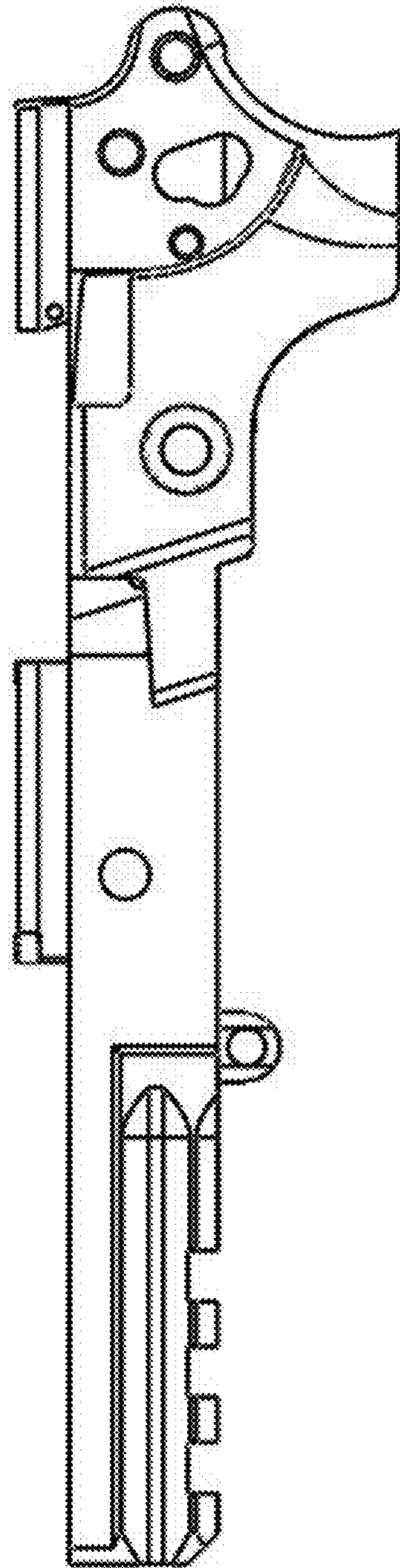


Fig. 8

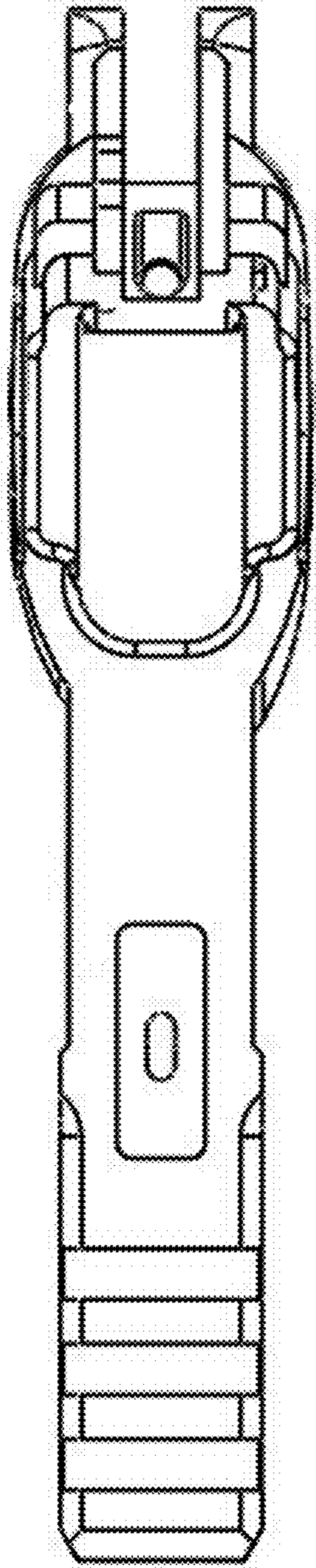


Fig. 9

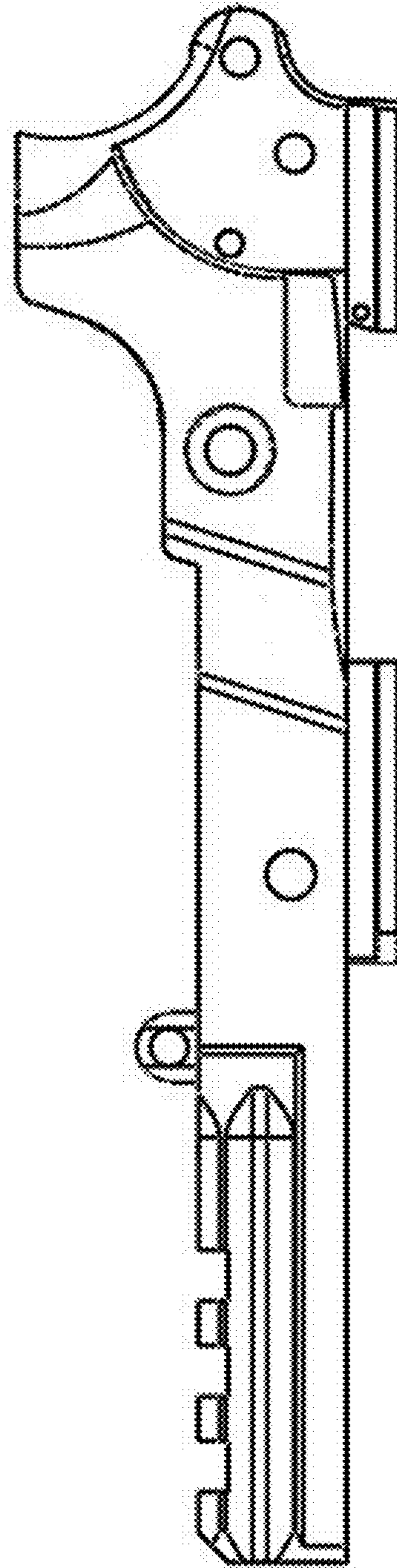


Fig. 10

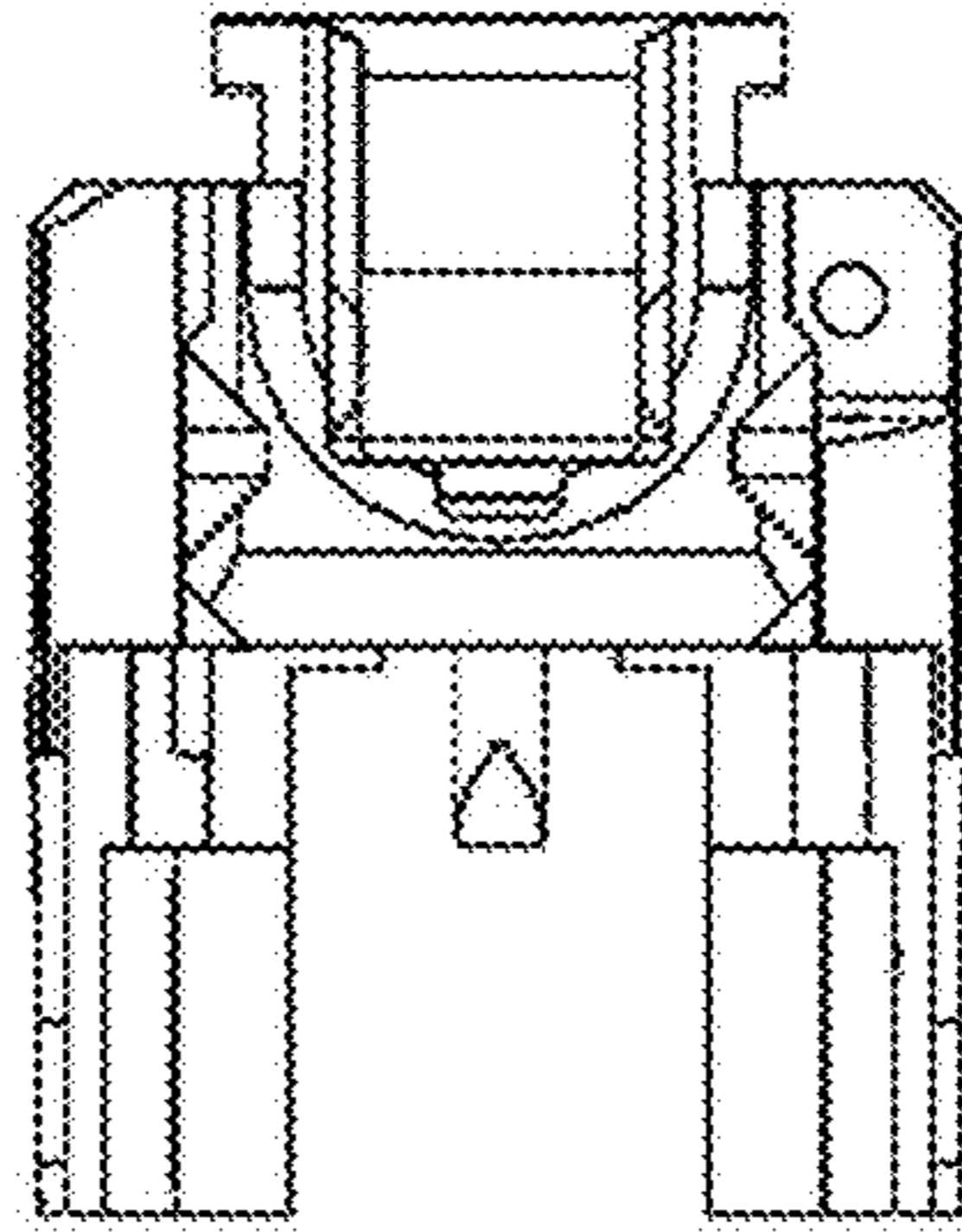


Fig. 11

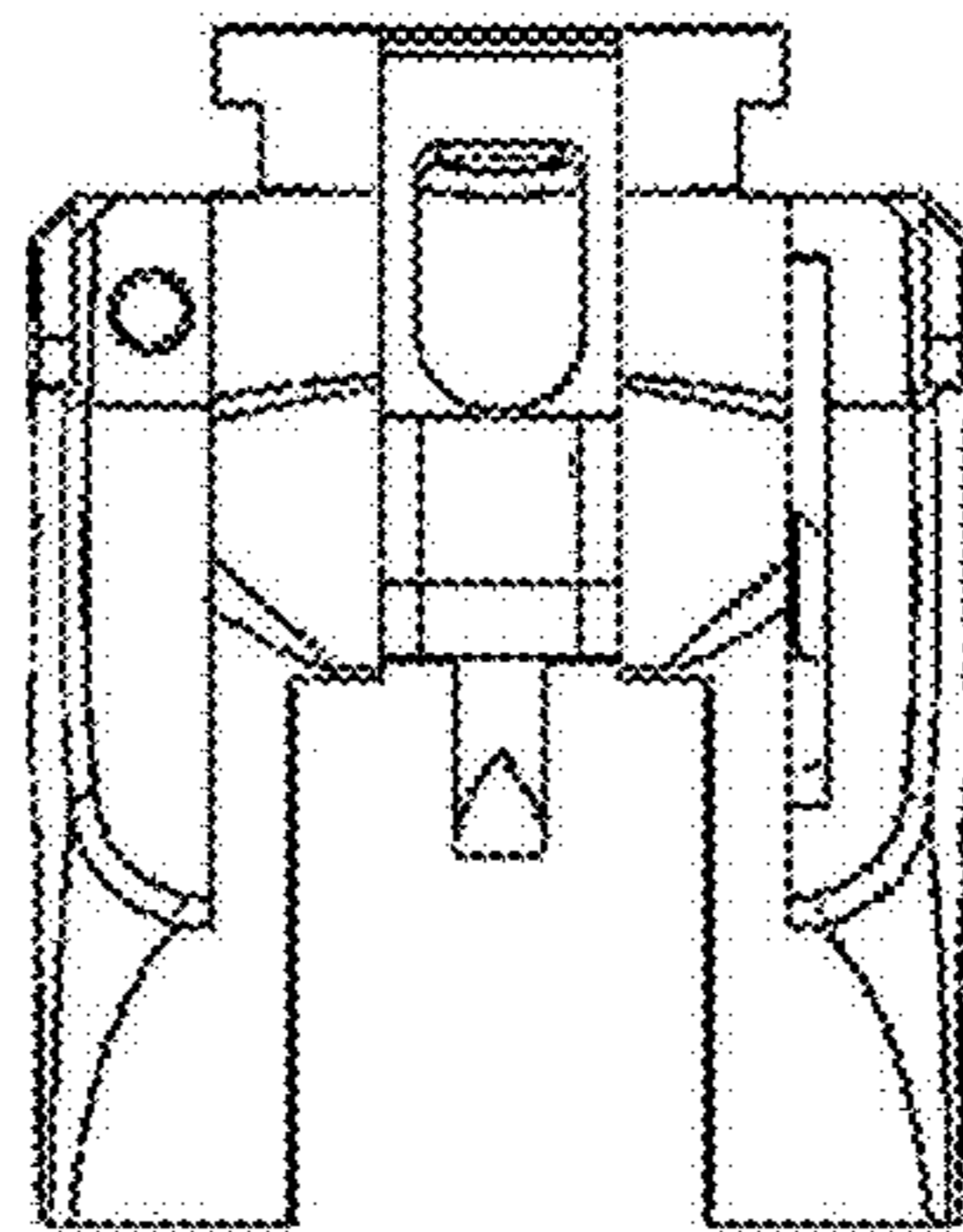


Fig. 12