



US00D732625S

(12) **United States Design Patent**
Heizer

(10) **Patent No.:** **US D732,625 S**
(45) **Date of Patent:** **** Jun. 23, 2015**

(54) **SEMI-AUTOMATIC PISTOL**

(71) Applicant: **Charles K. Heizer**, St. Louis, MO (US)

(72) Inventor: **Charles K. Heizer**, St. Louis, MO (US)

(**) Term: **14 Years**

(21) Appl. No.: **29/478,297**

(22) Filed: **Jan. 3, 2014**

Related U.S. Application Data

(60) Provisional application No. 61/877,652, filed on Sep. 13, 2013.

(51) **LOC (10) Cl.** **22-01**

(52) **U.S. Cl.**
USPC **D22/104**

(58) **Field of Classification Search**
USPC D22/104; 89/40.06, 41.19, 37.04,
89/33.04, 191.01, 200-204; D21/145,
D21/146, 147, 567, 572, 573-575; 42/40,
42/41, 42.01, 42.02, 42.03, 43, 44, 45, 57,
42/69.01, 71.02, 72, 100; 124/31, 37;
362/110, 113

CPC F41C 3/00; F41C 3/005; F41C 3/02;
F41C 3/04; F41C 3/06; F41C 3/14; F41C
3/16; F41C 9/02; F41C 9/04; F41C 9/06;
F41C 9/08

See application file for complete search history.

(56) **References Cited**

U.S. PATENT DOCUMENTS

D234,459 S 3/1975 Lichtman
D263,413 S 3/1982 Hillberg

D269,896 S 7/1983 Seecamp
4,489,515 A * 12/1984 Numbers 42/70.01
D292,112 S 9/1987 Ruger
D359,098 S 6/1995 Stevens
D363,107 S 10/1995 Sanford
D377,513 S 1/1997 Lenkarski
D387,842 S 12/1997 Kaminski
D400,633 S 11/1998 Chapman
D574,053 S 7/2008 McGarry
D650,880 S 12/2011 McGarry
D651,275 S 12/2011 Emde
D654,978 S 2/2012 Karanian
D686,685 S 7/2013 Kohout
8,495,831 B1 * 7/2013 Kohout 42/8
2013/0104436 A1 * 5/2013 Heizer 42/69.01
2014/0165441 A1 * 6/2014 Emde et al. 42/8

* cited by examiner

Primary Examiner — Michael A Pratt

(74) *Attorney, Agent, or Firm* — CreatiVenture Law, LLC;
Dennis J M Donahue, III

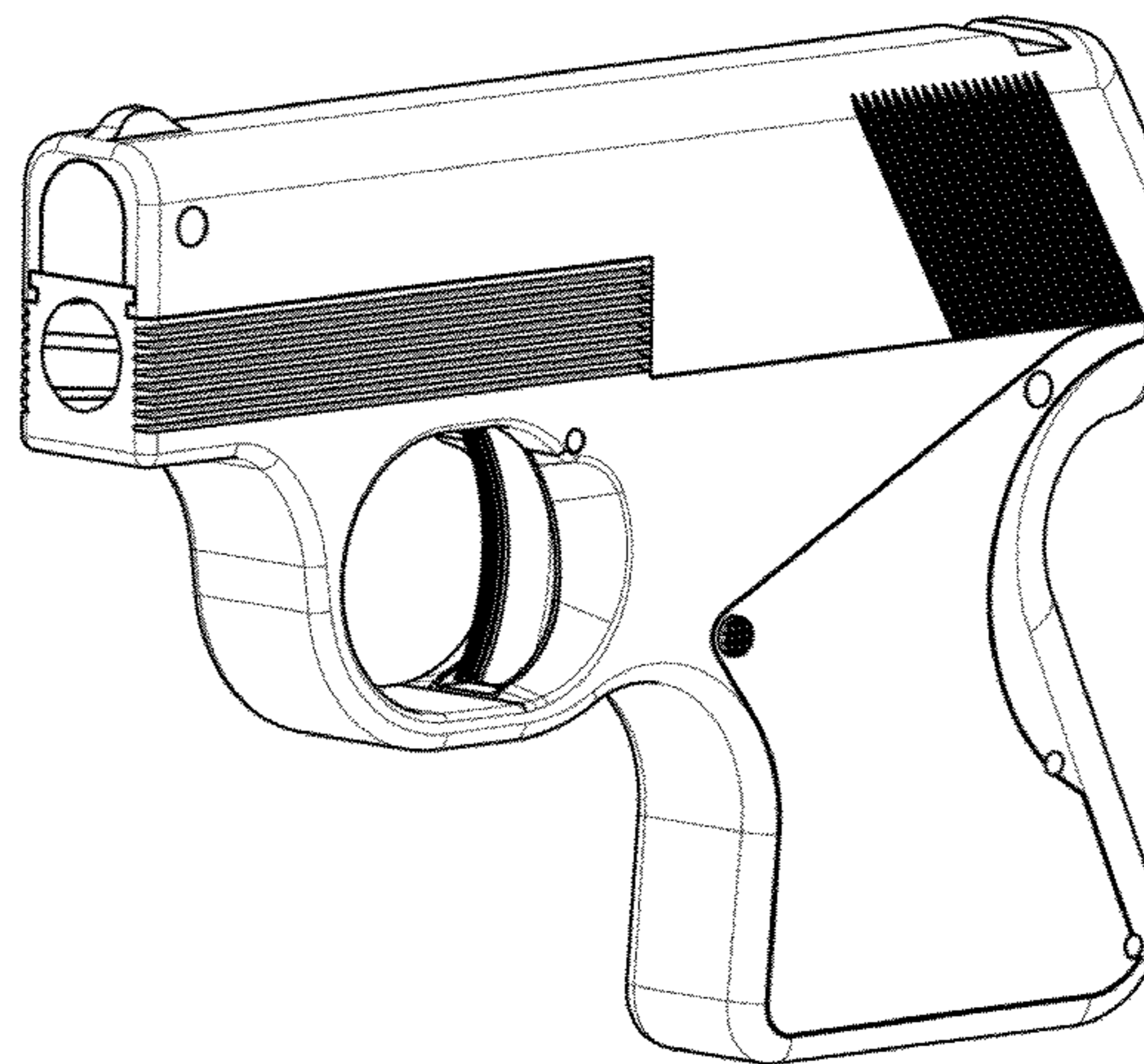
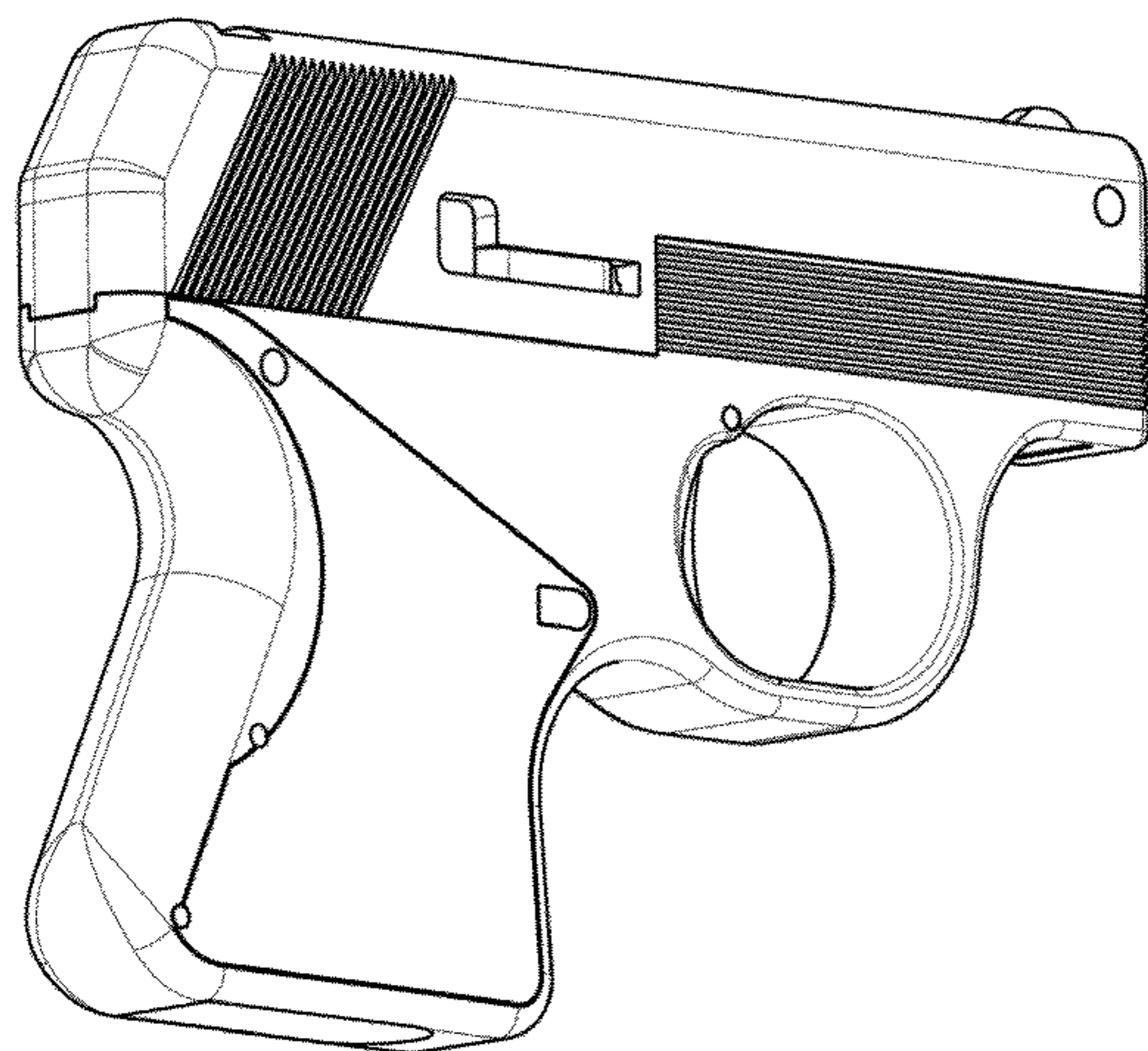
(57) **CLAIM**

The ornamental design for a semi-automatic pistol, as shown and described.

DESCRIPTION

FIGS. 1A and 1B are a back perspective view and a front perspective view of a semi-automatic pistol, respectively. FIG. 2 is a top view of the semi-automatic pistol. FIG. 3 is a left side view of the semi-automatic pistol. FIG. 4 is a rear view of the semi-automatic pistol. FIG. 5 is a right side view of the semi-automatic pistol. FIG. 6 is a front view of the semi-automatic pistol; and, FIG. 7 is a bottom view of the semi-automatic pistol.

1 Claim, 3 Drawing Sheets



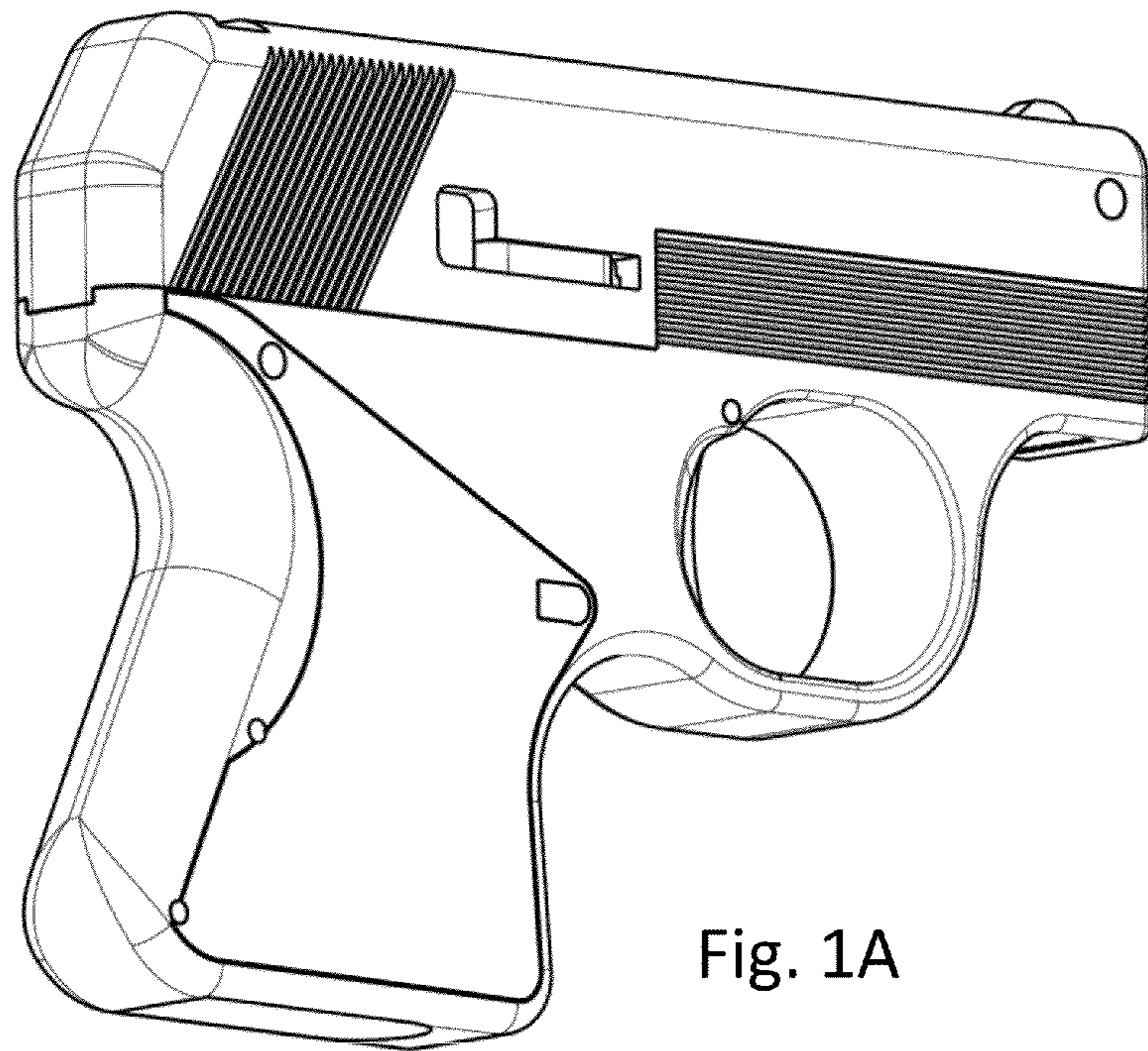


Fig. 1A

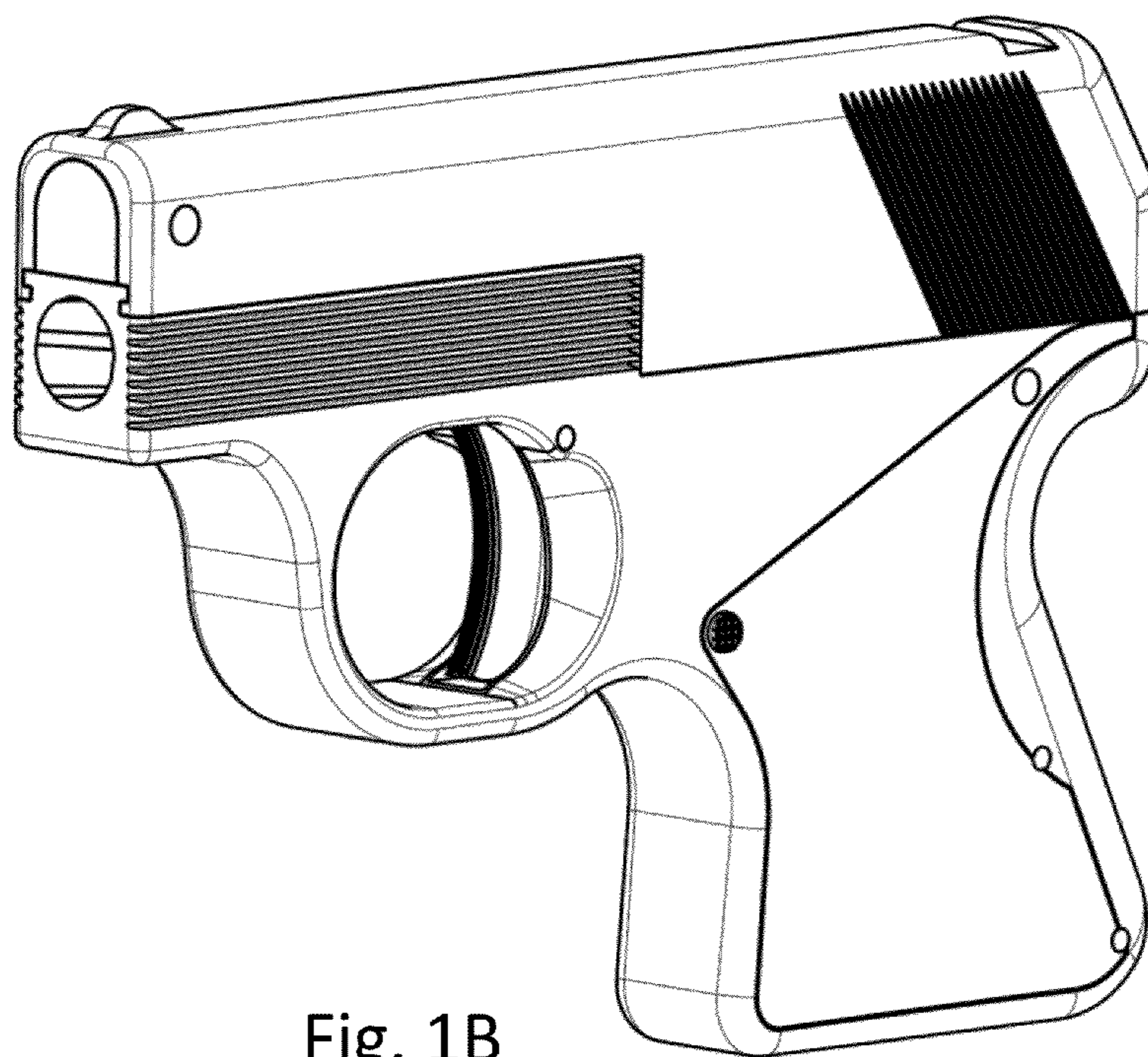


Fig. 1B

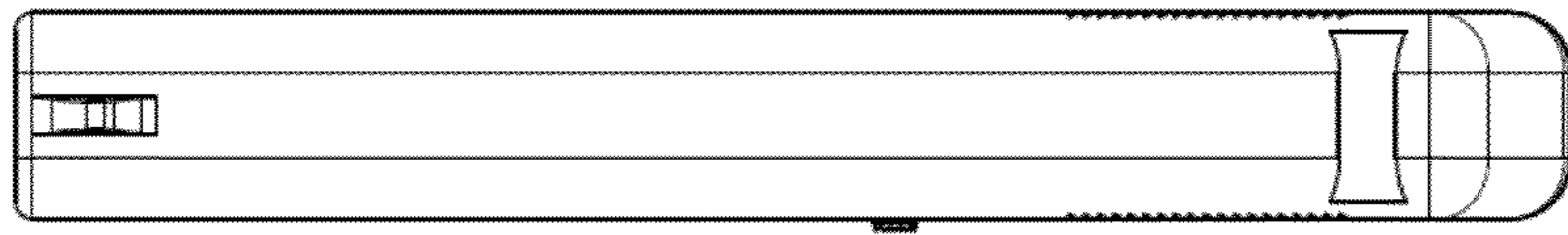


Fig. 2

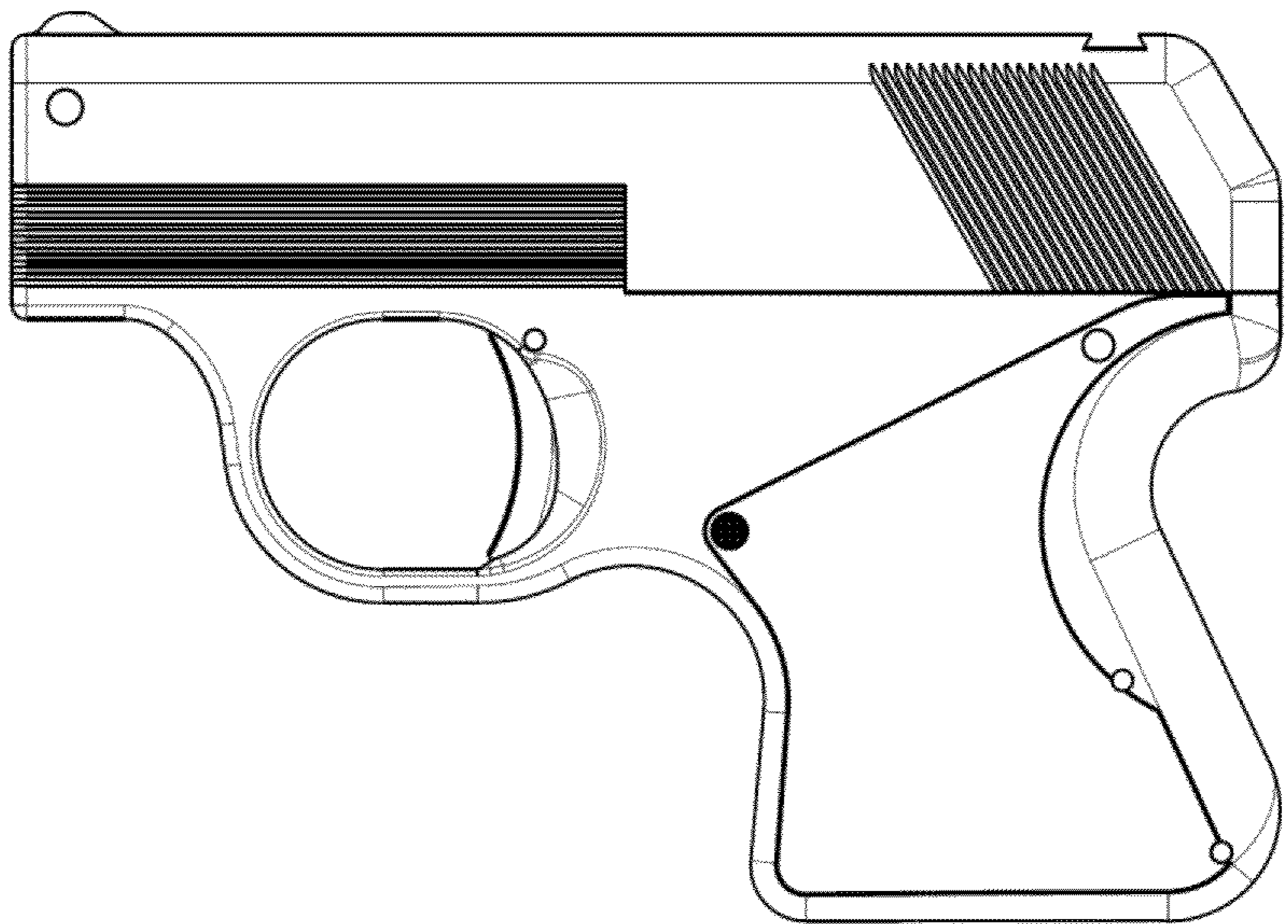


Fig. 3

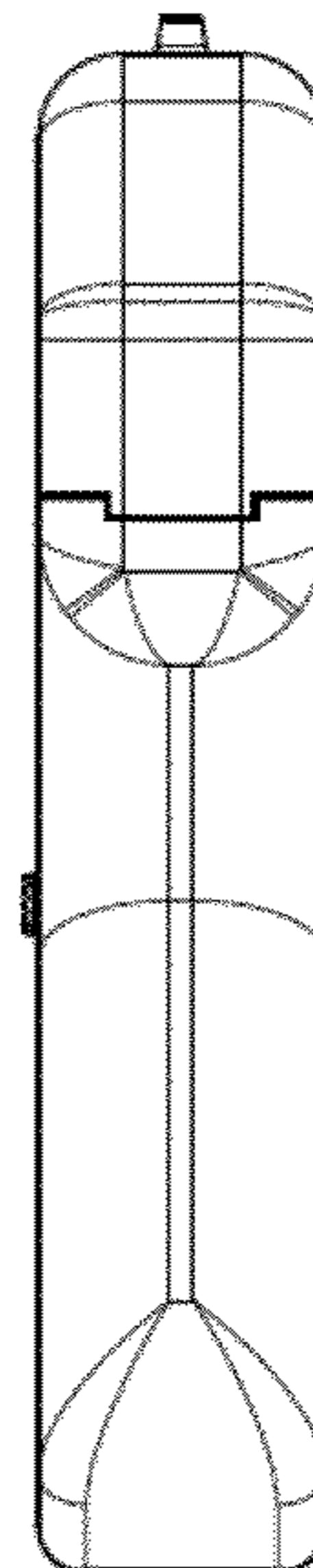


Fig. 4

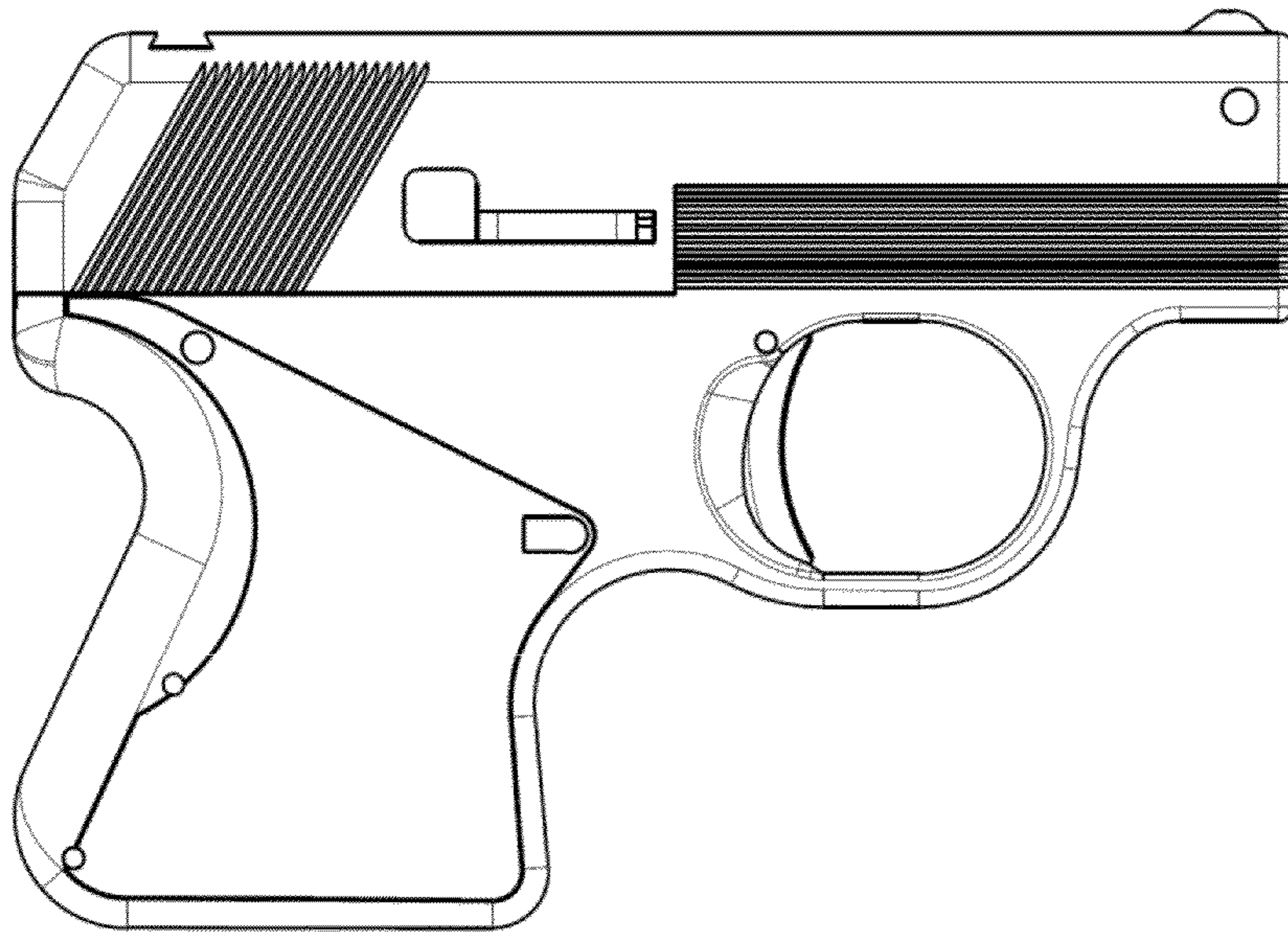


Fig. 5

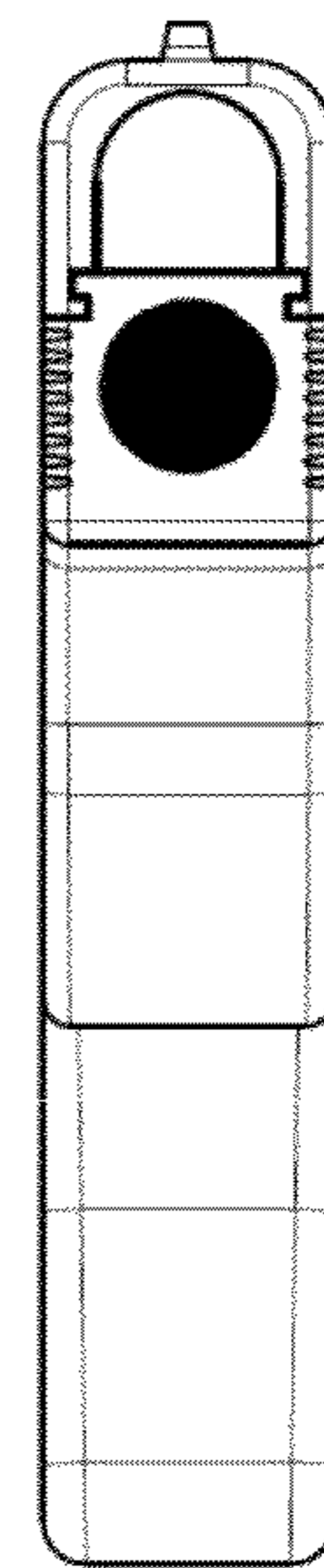


Fig. 6

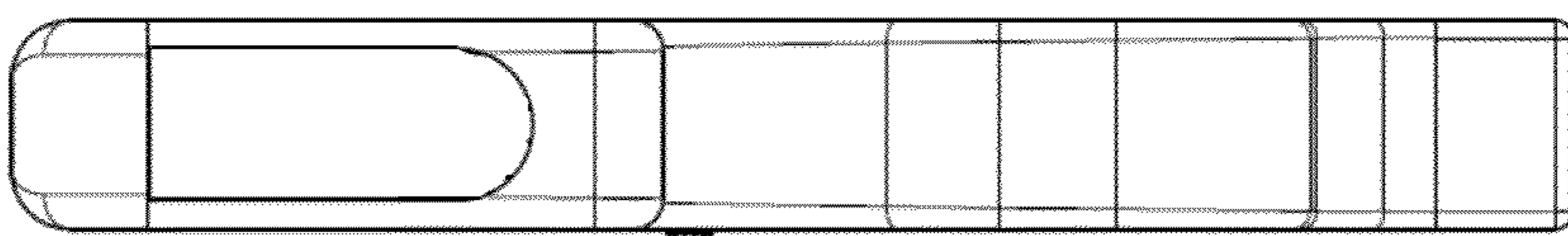


Fig. 7