



US00D732623S

(12) **United States Design Patent**  
**Kulikowski et al.**

(10) **Patent No.:** **US D732,623 S**  
(45) **Date of Patent:** **\*\* Jun. 23, 2015**

- (54) **GOLF PUTTING GAME KIT**
- (71) Applicants: **Thomas Kulikowski**, Colorado Springs, CO (US); **Irma Kulikowski**, Colorado Springs, CO (US)
- (72) Inventors: **Thomas Kulikowski**, Colorado Springs, CO (US); **Irma Kulikowski**, Colorado Springs, CO (US)

(\*\*) Term: **14 Years**

(21) Appl. No.: **29/492,397**

(22) Filed: **May 30, 2014**

(51) **LOC (10) Cl.** ..... **21-02**

(52) **U.S. Cl.**  
USPC ..... **D21/791; D21/303**

(58) **Field of Classification Search**  
USPC ..... **D21/789-792, 302, 303**  
CPC ..... **A63B 67/02; A63B 67/06-67/068**  
See application file for complete search history.

(56) **References Cited**

**U.S. PATENT DOCUMENTS**

1,133,129	A *	3/1915	Govan	.....	473/337
D294,617	S *	3/1988	Perkins	.....	D21/749
5,158,296	A *	10/1992	Lee	.....	473/327
5,390,926	A	2/1995	Hanson et al.		
5,738,594	A	4/1998	Kinney		
D408,485	S *	4/1999	Takahashi et al.	.....	D21/747
D421,080	S *	2/2000	Chen	.....	D21/747
6,077,171	A *	6/2000	Yoneyama	.....	473/291
6,837,797	B2	1/2005	Hull		
7,121,956	B2 *	10/2006	Lo	.....	473/335

D534,595	S *	1/2007	Hasebe	.....	D21/747
D543,601	S *	5/2007	Kawami	.....	D21/759
D555,219	S *	11/2007	Lin	.....	D21/759
8,376,878	B2 *	2/2013	Bennett et al.	.....	473/334
D722,352	S *	2/2015	Nicolette et al.	.....	D21/747
2003/0139226	A1 *	7/2003	Cheng et al.	.....	473/334
2005/0277485	A1 *	12/2005	Hou et al.	.....	473/332
2013/0137532	A1 *	5/2013	Deshmukh et al.	.....	473/349
2013/0288823	A1 *	10/2013	Hebreo	.....	473/349

\* cited by examiner

*Primary Examiner* — Mitchell Siegel

(74) *Attorney, Agent, or Firm* — Crossley Patent Law

(57) **CLAIM**

The ornamental design for a golf putting game kit, as shown and described.

**DESCRIPTION**

FIG. 1 is a top plan view of a golf putting game kit showing our new design showing a mat, a score card, a plurality of numbered cards, a putter, a plurality of chips, and a ball separated for clarity;

FIG. 2 is a bottom plan view thereof;

FIG. 3 is a right side elevation view thereof;

FIG. 4 is a left side elevation view thereof;

FIG. 5 is a front elevation view thereof;

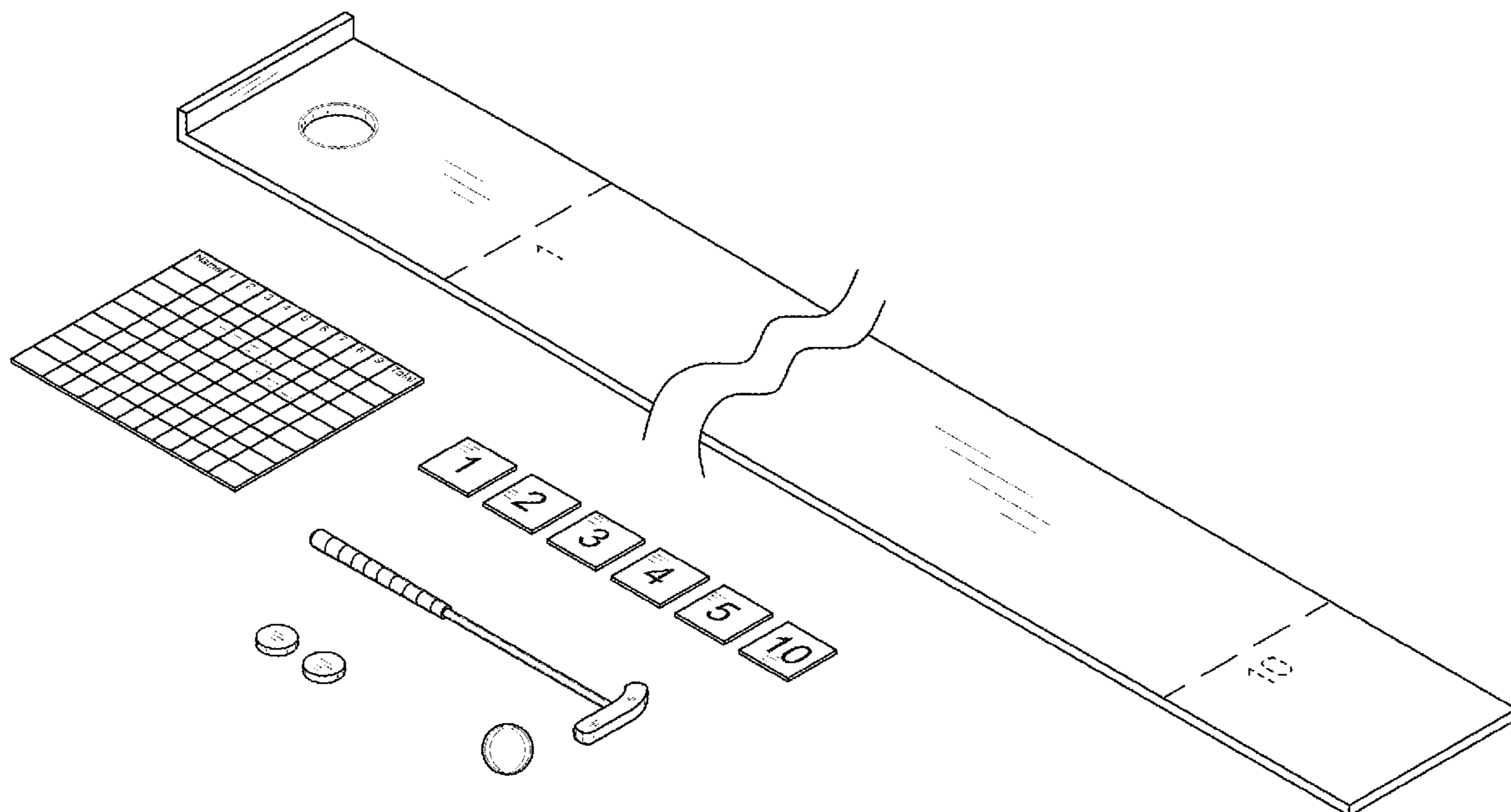
FIG. 6 is a rear elevation view thereof; and,

FIG. 7 is an isometric view thereof.

The broken away symbols in the drawings indicate the appearance of any portion of the article between the break lines forms no part of the claimed design.

The broken line showing of the numbers 1 and 10 on the mat are included for the purpose of illustrating and forms no part of the claimed design.

**1 Claim, 5 Drawing Sheets**



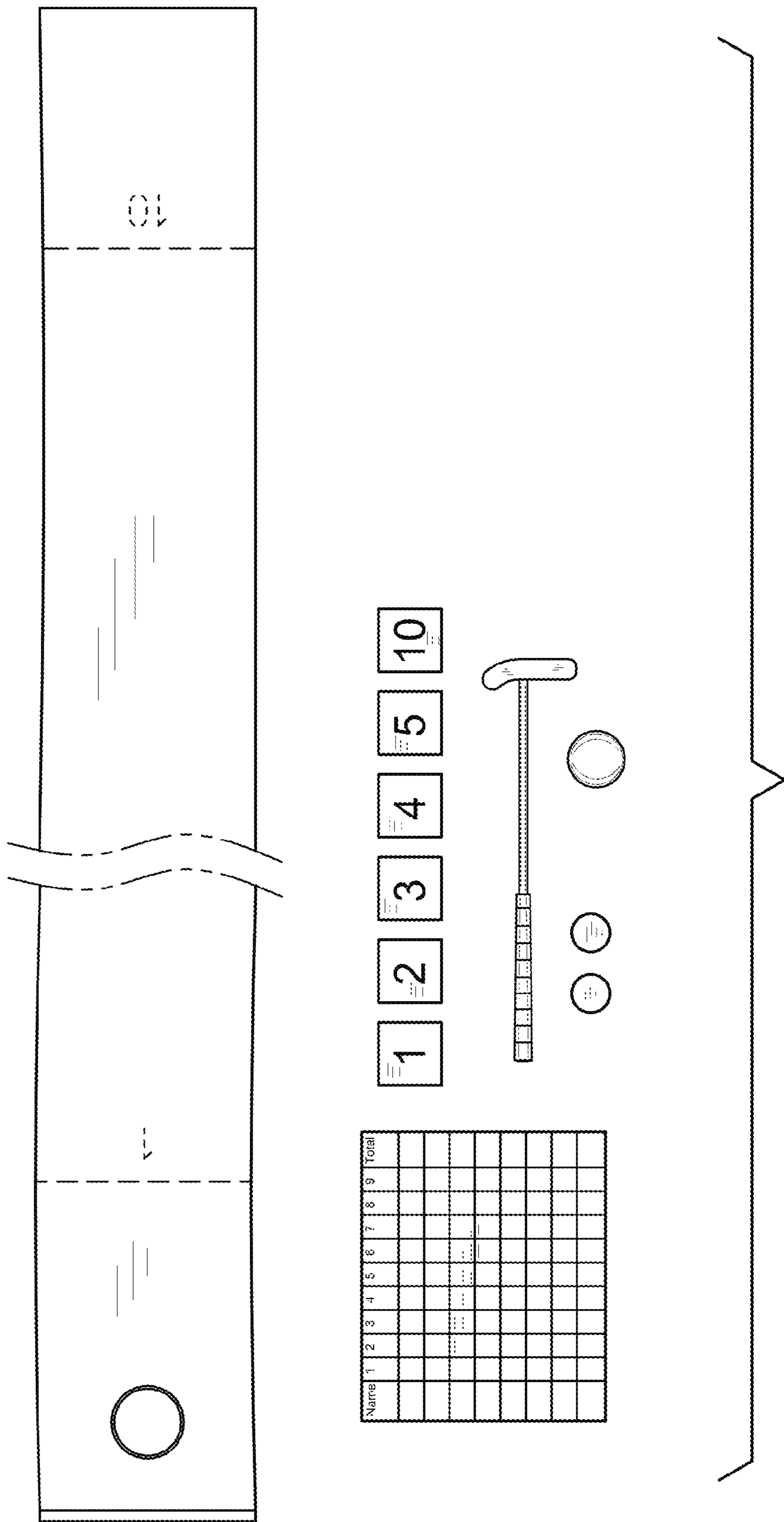
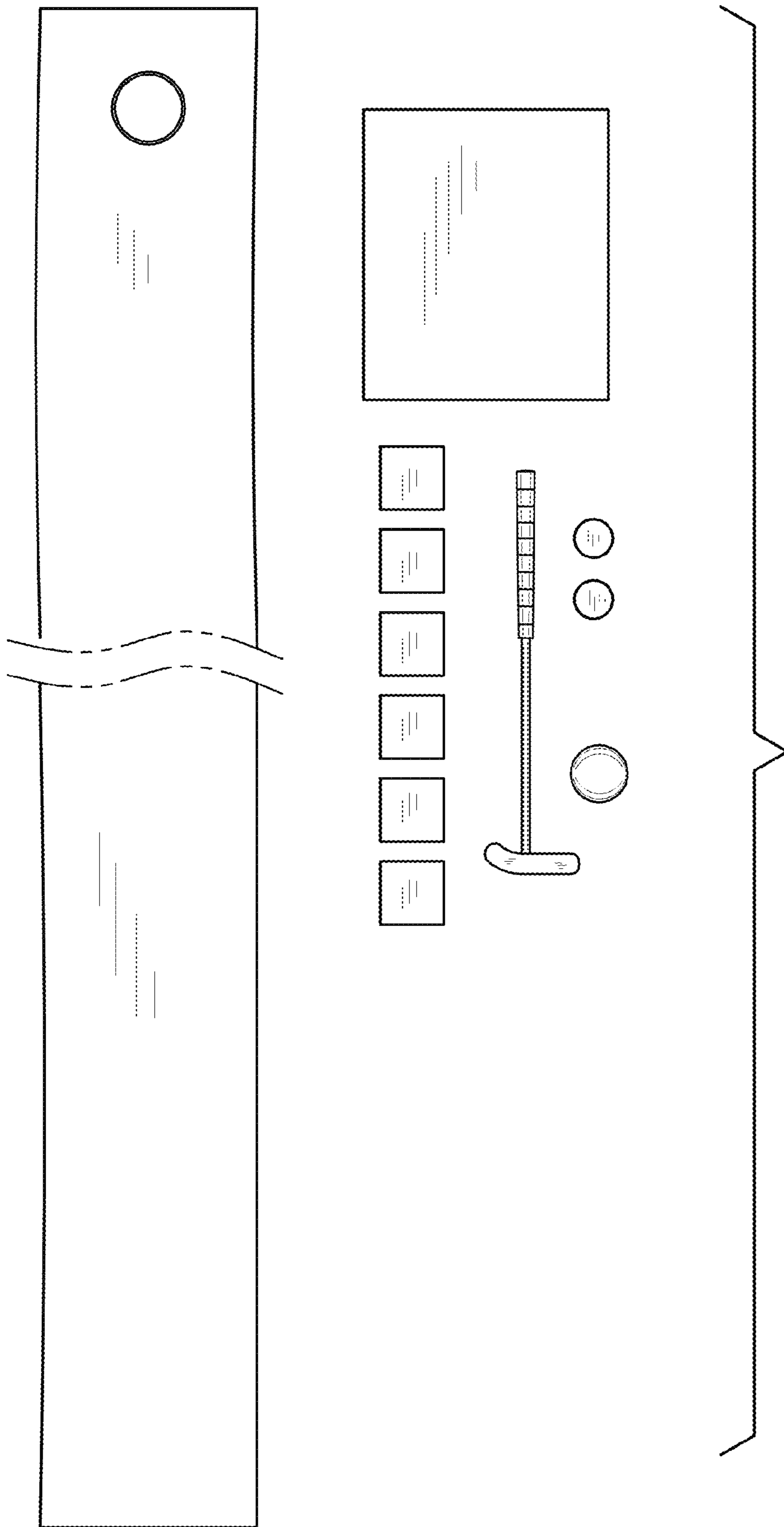


FIG. 1



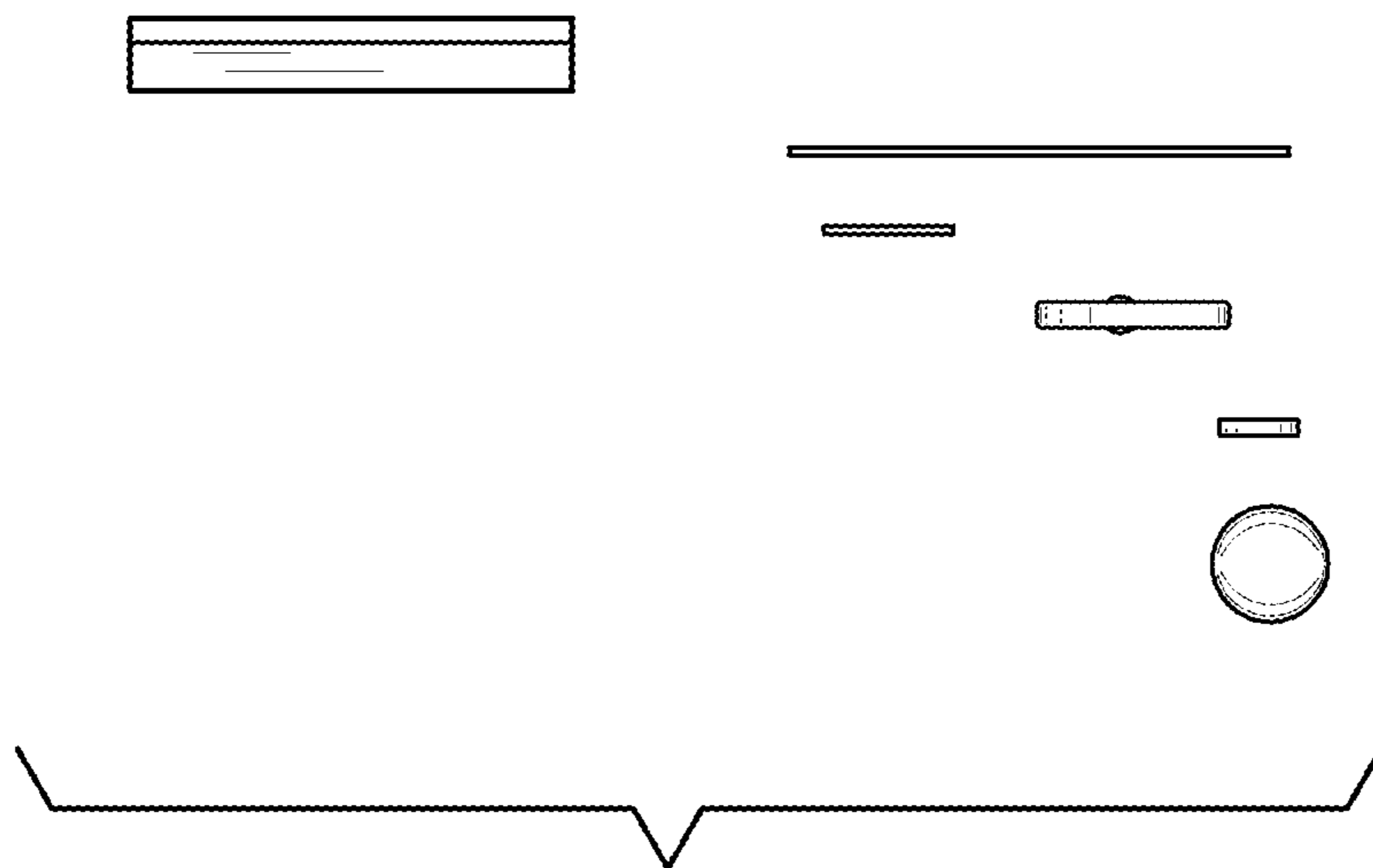


FIG. 4

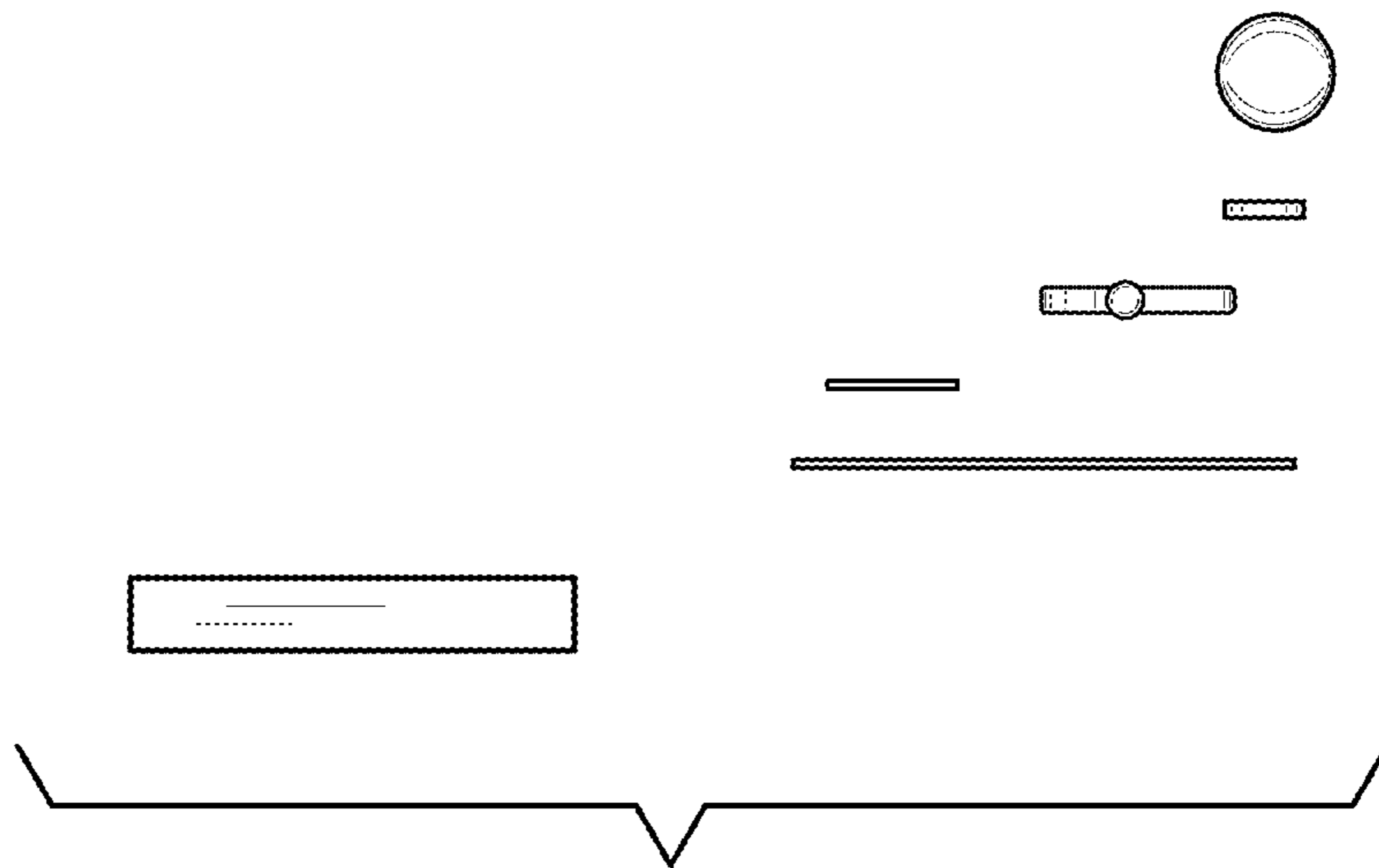


FIG. 3

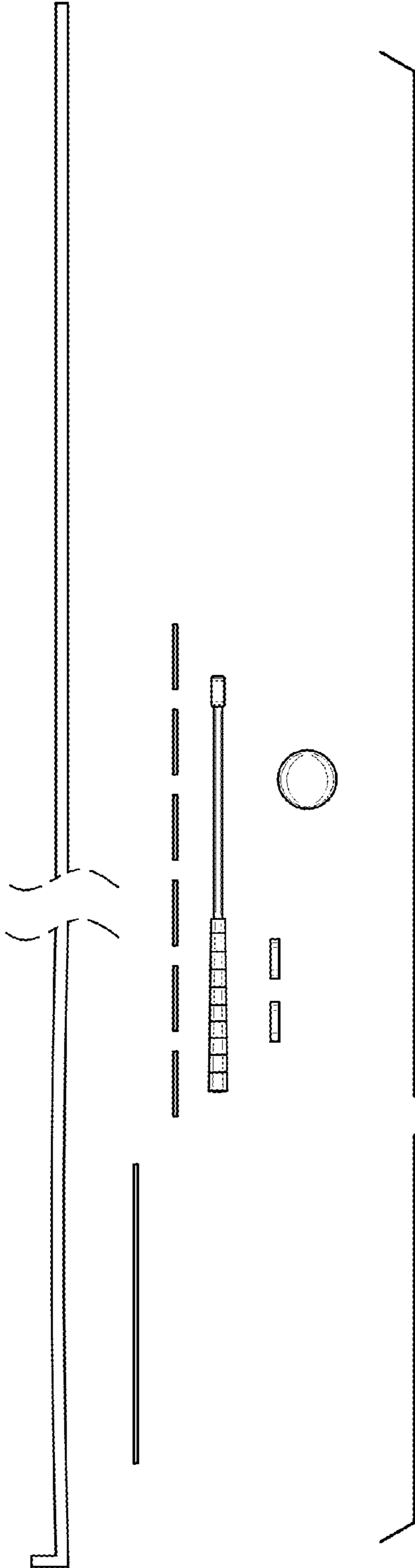


FIG. 5

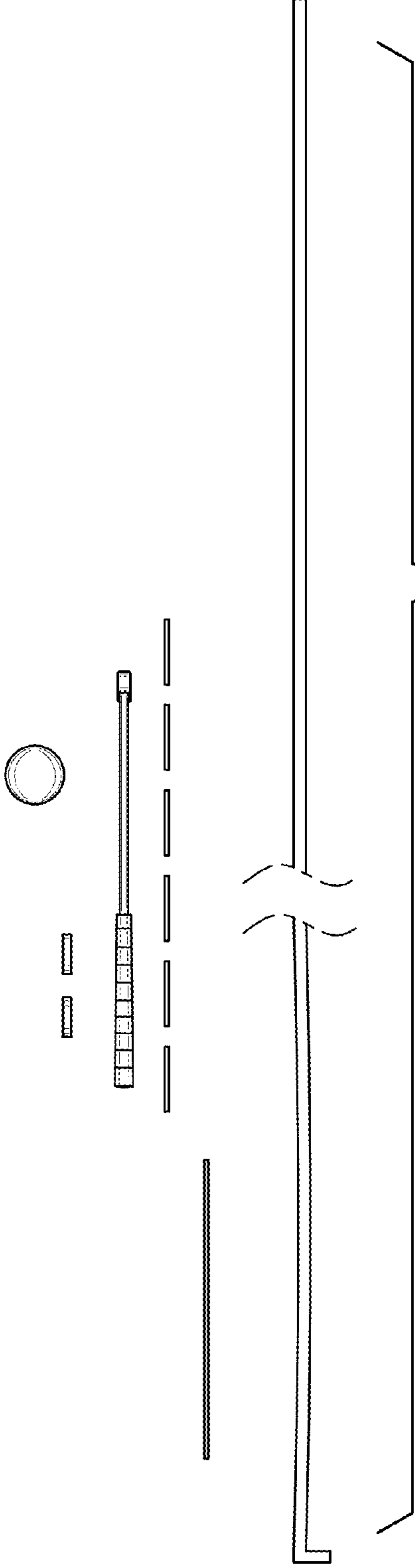


FIG. 6

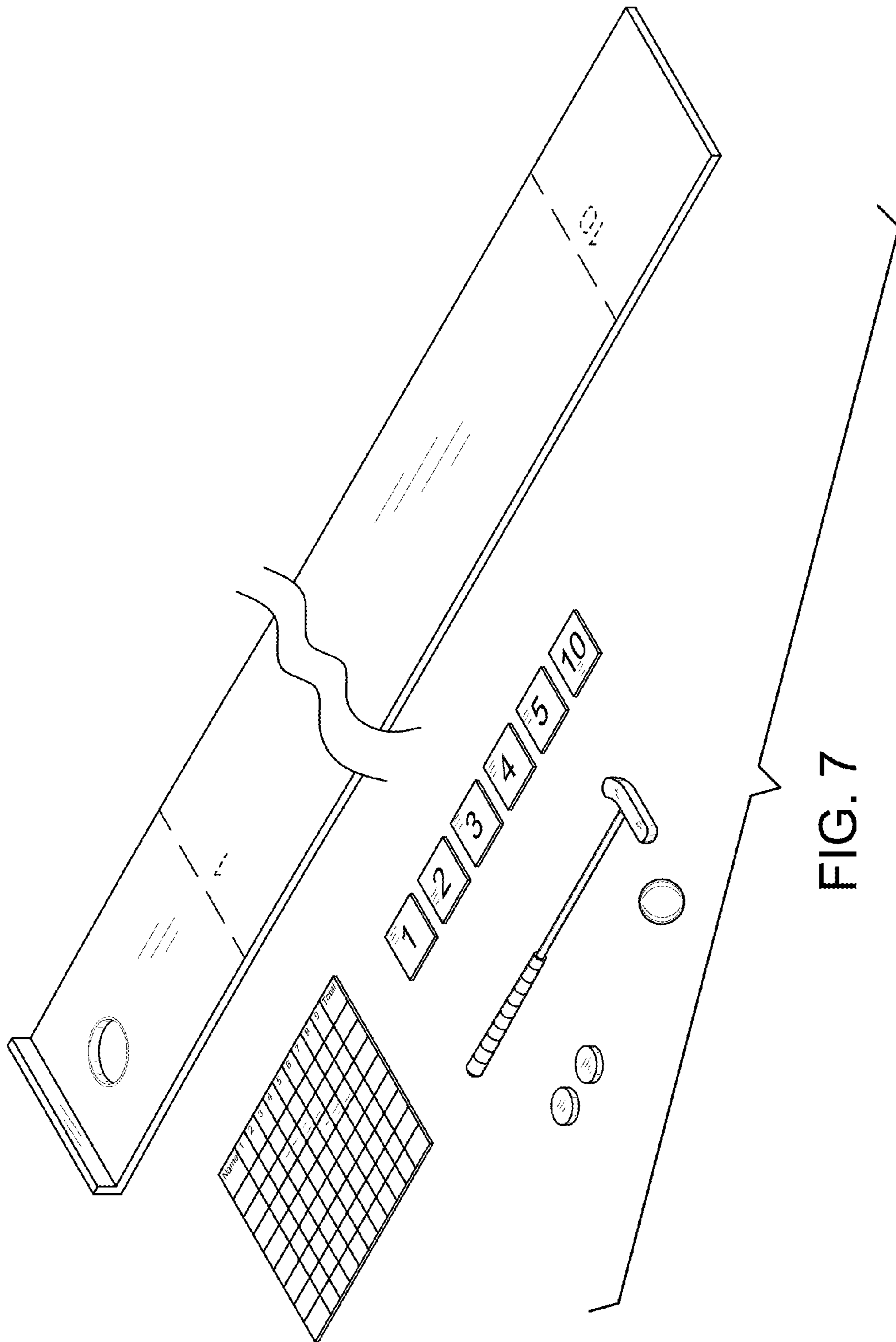


FIG. 7