



US00D732616S

(12) **United States Design Patent**  
**Goldberg**

(10) **Patent No.:** **US D732,616 S**

(45) **Date of Patent:** **\*\* \*Jun. 23, 2015**

(54) **FINGER/HAND EXERCISER**

(71) Applicant: **Elliott Goldberg**, Scarsdale, NY (US)

(72) Inventor: **Elliott Goldberg**, Scarsdale, NY (US)

(\* ) Notice: This patent is subject to a terminal disclaimer.

(\*\*) Term: **14 Years**

(21) Appl. No.: **29/494,142**

(22) Filed: **Jun. 17, 2014**

(51) **LOC (10) Cl.** ..... **21-02**

(52) **U.S. Cl.**  
USPC ..... **D21/684**

(58) **Field of Classification Search**  
USPC ..... 482/47, 45, 49, 48, 44, 121, 105, 122, 482/128, 112, 141, 51, 66, 70, 126, 46, 107, 482/8, 901, 139, 108, 82, 106, 594, 124, 482/131, 11, 93, 97; D21/684, 692, 662, D21/679, 693, 714, 682; 127/45; D11/133; D19/97, 82, 96; D27/156; D32/35; D22/112; 73/379.03; 84/465, 265; D8/303; D24/211; 74/558; 601/125, 601/133, 135, 137, 204, 38; 473/594  
CPC ..... A63B 1/0552; A63B 2208/0204; A63B 22/001; A63B 21/00069; A63B 23/12  
See application file for complete search history.

(56) **References Cited**

**U.S. PATENT DOCUMENTS**

1,796,216 A \* 3/1931 Petterson ..... 482/47  
2,947,211 A \* 8/1960 Shuman ..... 84/388

3,738,651 A \* 6/1973 Norman et al. .... 482/47  
3,847,051 A \* 11/1974 Miller ..... 84/387 A  
3,937,116 A \* 2/1976 Ramirez ..... 84/395  
D294,614 S \* 3/1988 Ditsch et al. .... D21/684  
D325,411 S \* 4/1992 Everly ..... D21/684  
5,147,256 A \* 9/1992 Silagy ..... 482/47  
D352,754 S \* 11/1994 Silagy ..... D21/684  
D359,779 S \* 6/1995 Peters et al. .... D21/684  
5,431,611 A \* 7/1995 Silagy ..... 482/47  
D405,134 S \* 2/1999 Hug ..... D21/684  
D416,299 S \* 11/1999 Hug ..... D21/684  
D418,180 S \* 12/1999 Hug ..... D21/684  
D418,560 S \* 1/2000 Hug ..... D21/684  
D419,210 S \* 1/2000 Hug ..... D21/684  
7,967,732 B2 \* 6/2011 D'Addario et al. .... 482/47  
2003/0131710 A1 \* 7/2003 Goldiner ..... 84/265  
2013/0196825 A1 \* 8/2013 Silagy et al. .... 482/49

\* cited by examiner

*Primary Examiner* — Robert M Spear

*Assistant Examiner* — Ryan Harvey

(74) *Attorney, Agent, or Firm* — Weiner & Burt, P.C.; Irving M. Weiner; Pamela S. Burt

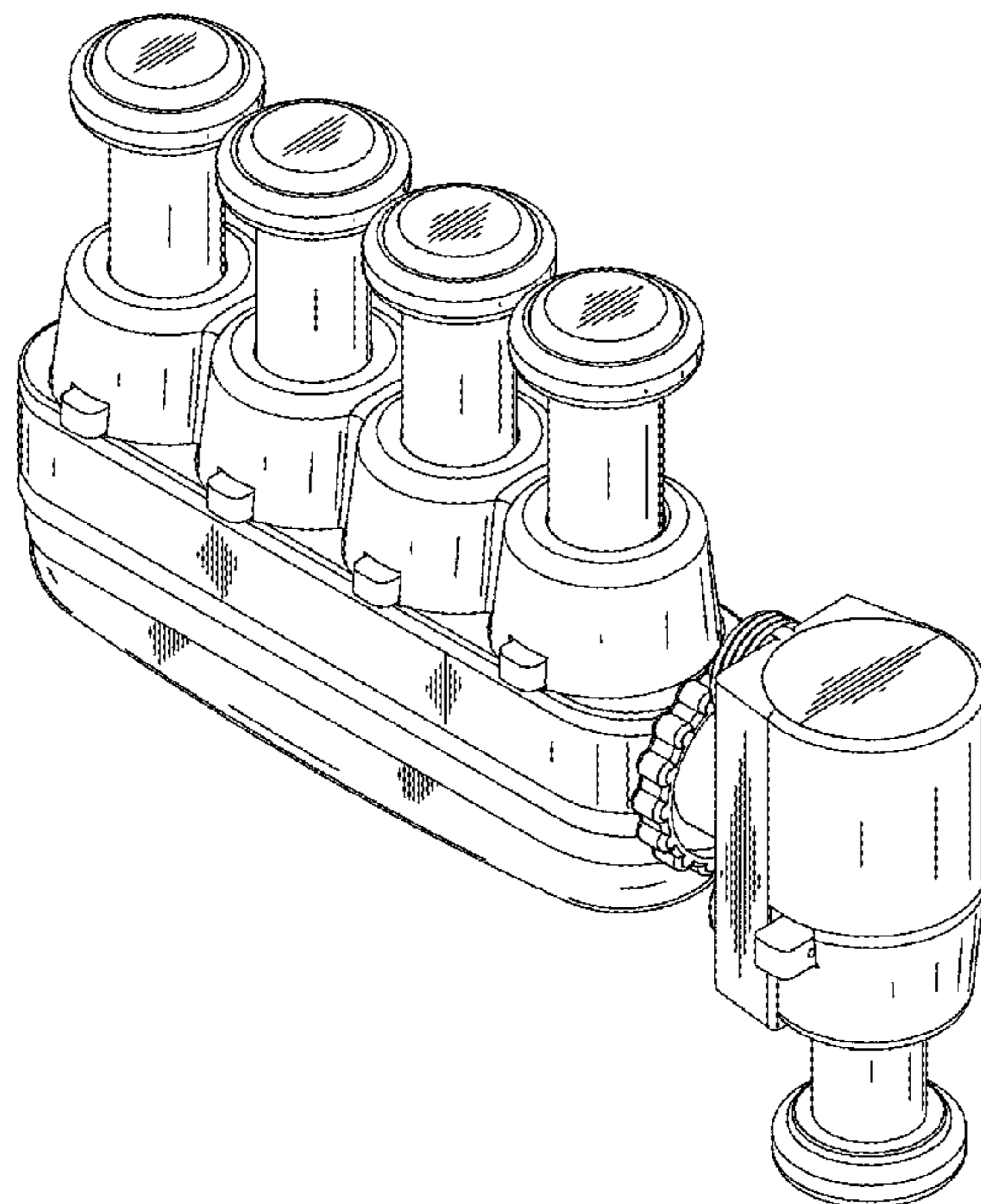
(57) **CLAIM**

The ornamental design for a finger/hand exerciser, as shown and described.

**DESCRIPTION**

FIG. 1 is a perspective view of the finger/hand exerciser; FIG. 2 is a front elevational view thereof; FIG. 3 is a bottom view thereof; FIG. 4 is a rear elevational view thereof; FIG. 5 is a top plan view of FIG. 4; FIG. 6 is a left side elevational view of FIG. 1; and, FIG. 7 is a right side elevational view of FIG. 1.

**1 Claim, 4 Drawing Sheets**



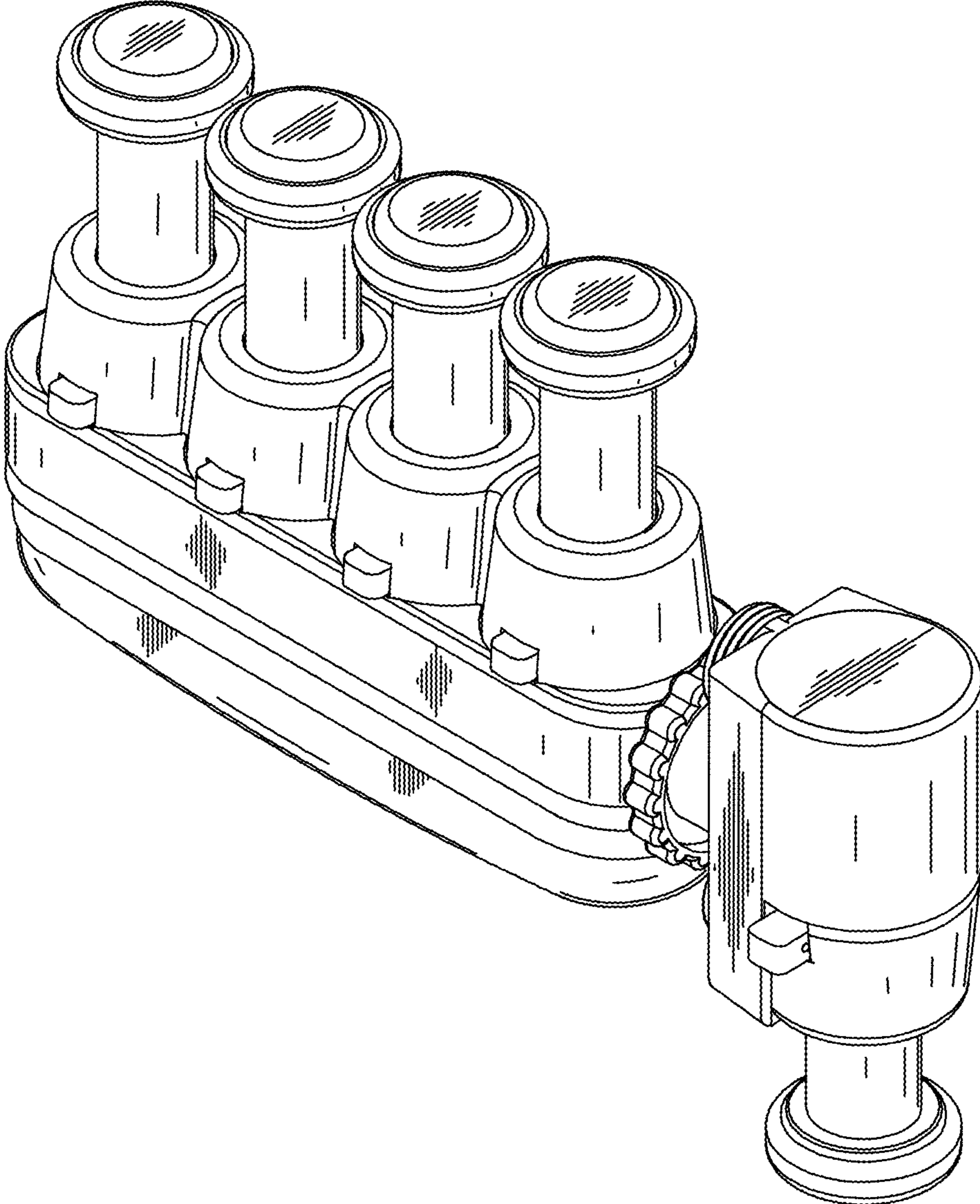


FIG 1

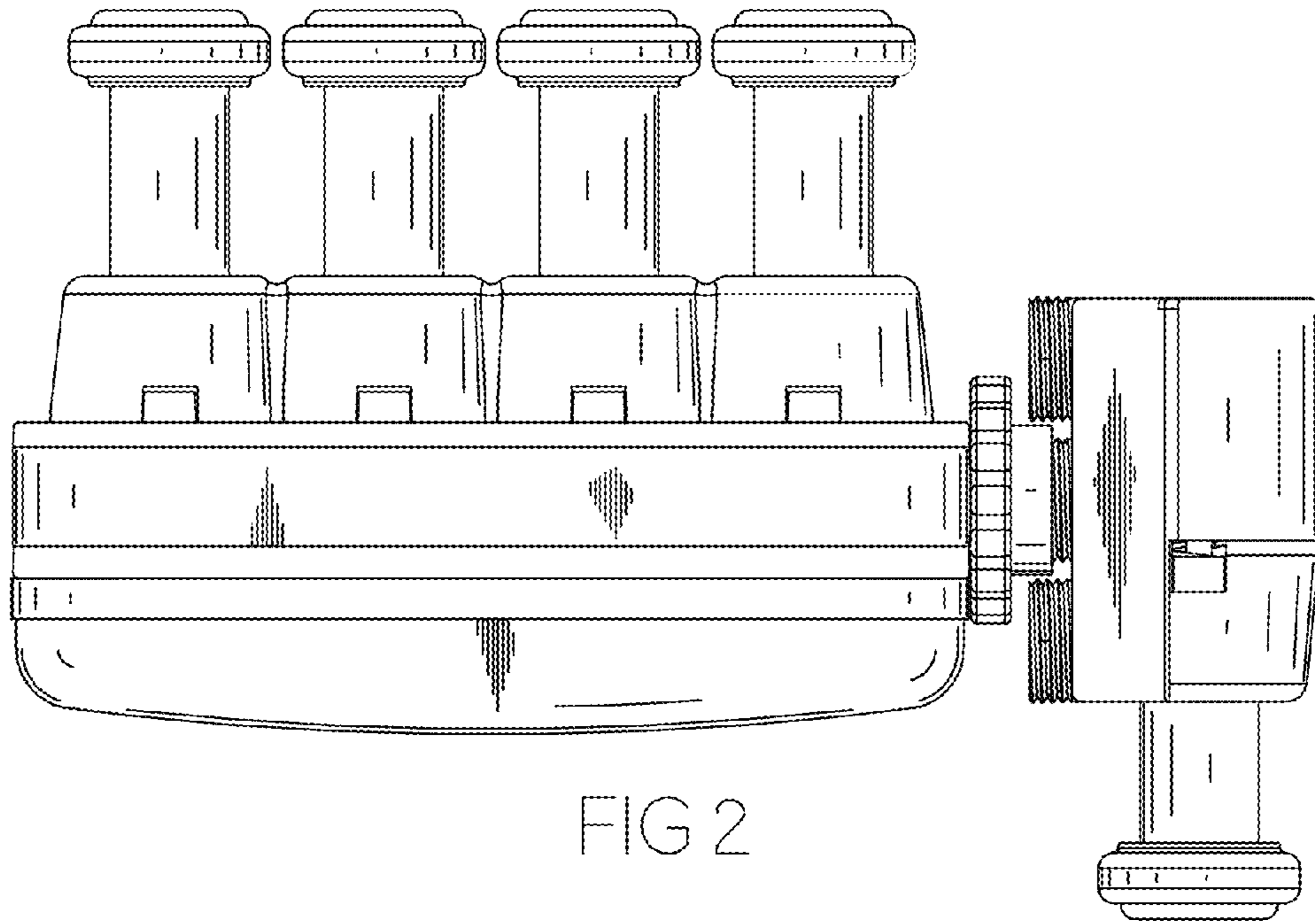


FIG 2

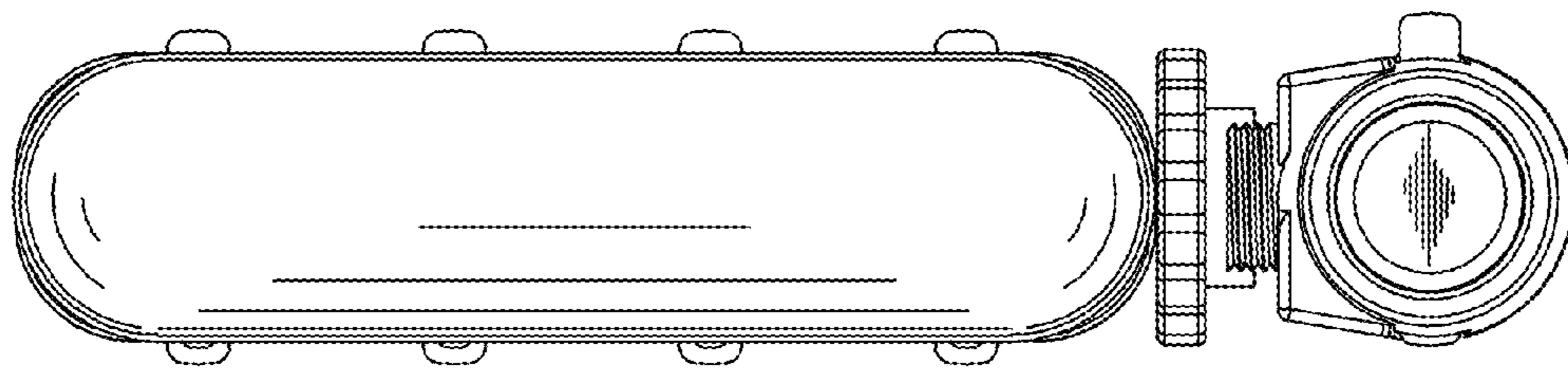
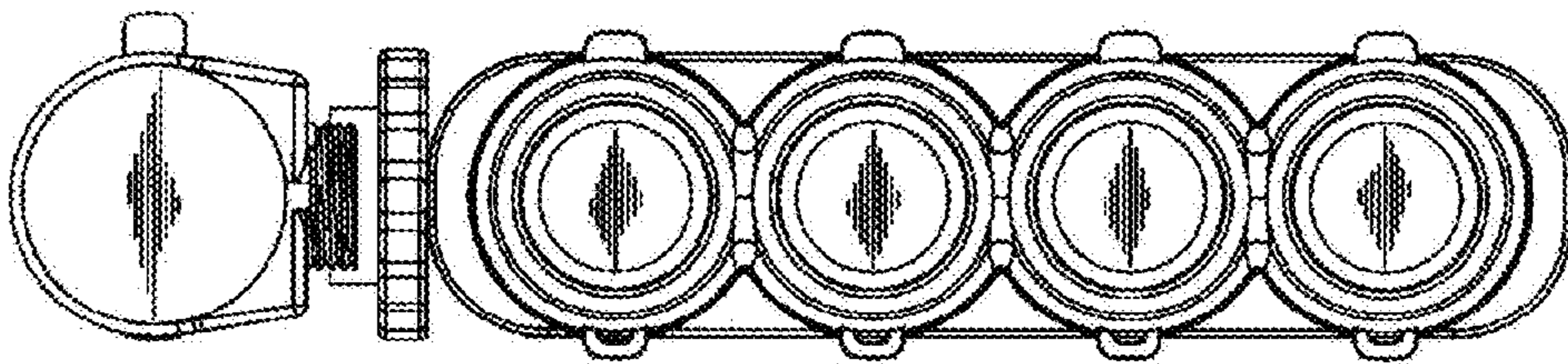
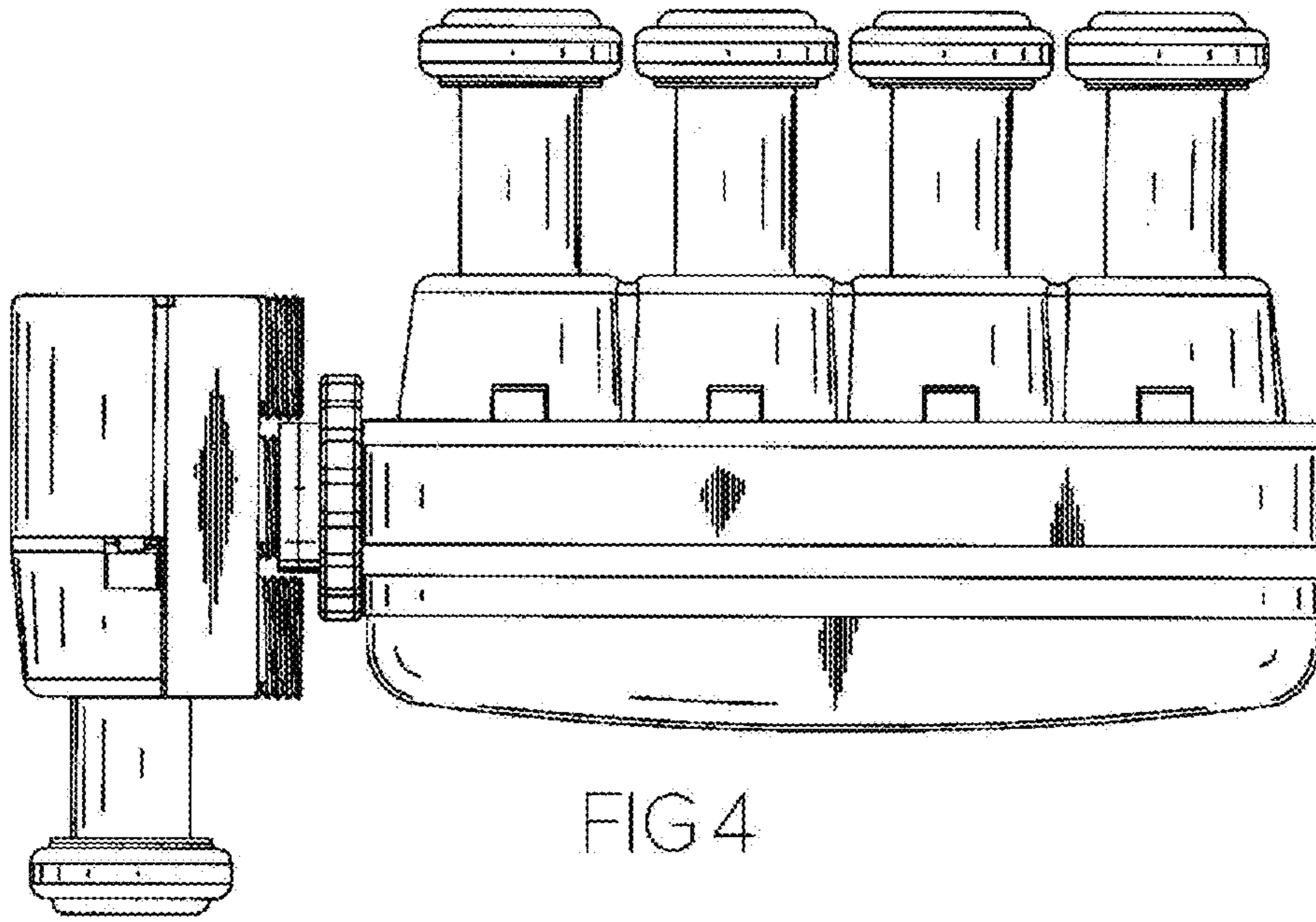


FIG 3



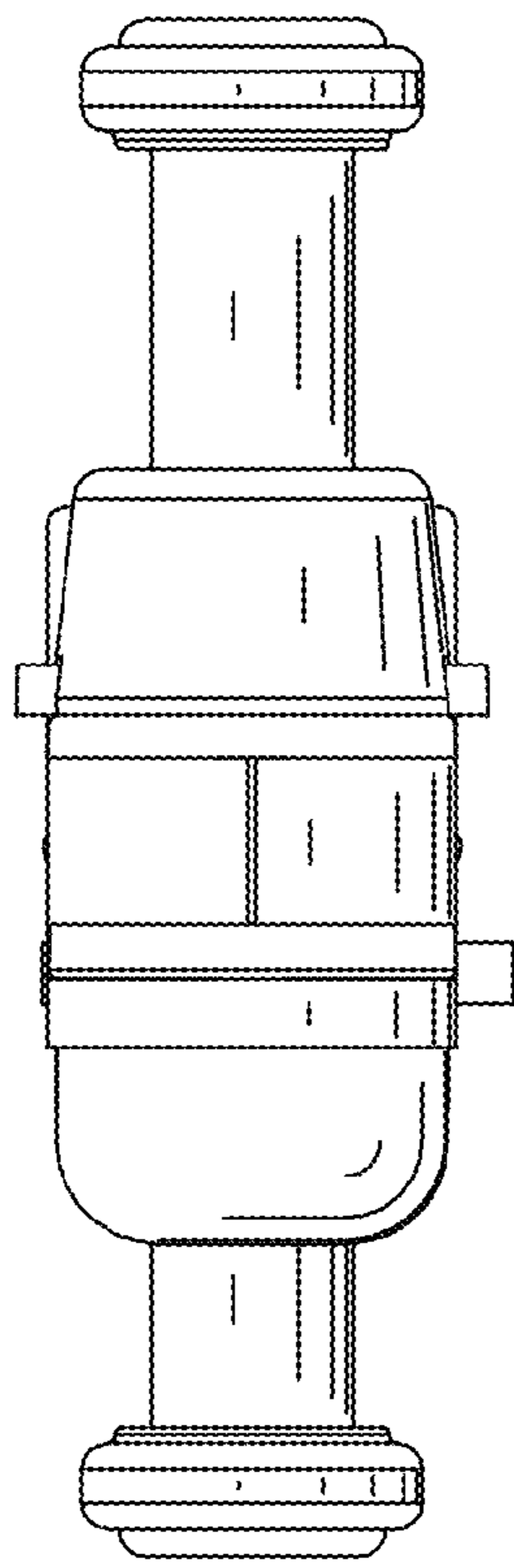


FIG 6

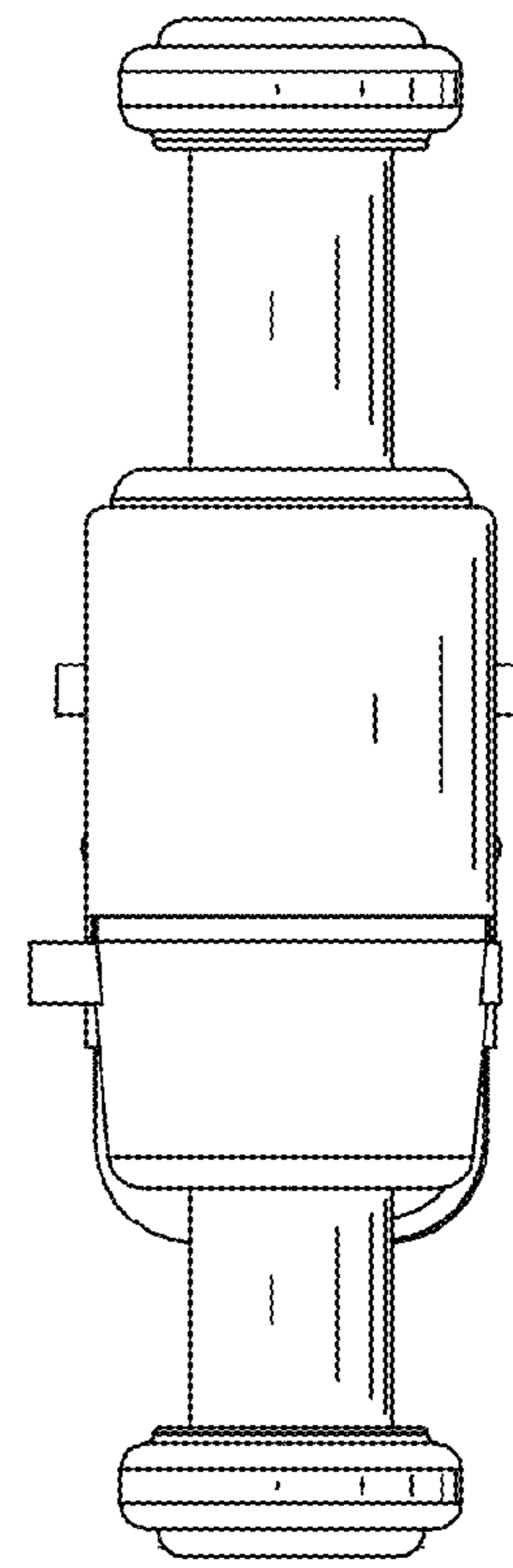


FIG 7