

US00D732615S

(12) **United States Design Patent**  
**Goldberg**

(10) **Patent No.:** **US D732,615 S**

(45) **Date of Patent:** **\*\* \*Jun. 23, 2015**

- (54) **FINGER/HAND EXERCISER**
- (71) Applicant: **Elliott Goldberg**, Scarsdale, NY (US)
- (72) Inventor: **Elliott Goldberg**, Scarsdale, NY (US)
- (\*) Notice: This patent is subject to a terminal disclaimer.
- (\*\*) Term: **14 Years**
- (21) Appl. No.: **29/483,734**
- (22) Filed: **Mar. 2, 2014**
- (51) **LOC (10) Cl.** ..... **21-02**
- (52) **U.S. Cl.**  
USPC ..... **D21/684**
- (58) **Field of Classification Search**  
USPC ..... 482/47, 45, 49, 48, 44, 121, 105, 122, 482/128, 112, 141, 51, 66, 70, 126, 46, 107, 482/8, 901, 139, 108, 82, 106, 594, 124, 482/131, 11, 93, 97; D21/684, 692, 662, D21/679, 693, 714, 682; 127/45; D11/133; D19/97, 82, 96; D27/156; D32/35; D22/112; 73/379.03; 84/465, 265; D8/303; D24/211; 74/558; 601/125, 601/133, 135, 137, 204, 38; 473/594  
See application file for complete search history.

3,847,051 A *	11/1974	Miller	.....	84/387 A
3,937,116 A *	2/1976	Ramirez	.....	84/395
D294,614 S *	3/1988	Ditsch et al.	.....	D21/684
D325,411 S *	4/1992	Everly	.....	D21/684
5,147,256 A *	9/1992	Silagy	.....	482/47
D352,754 S *	11/1994	Silagy	.....	D21/684
D359,779 S *	6/1995	Peters et al.	.....	D21/684
5,431,611 A *	7/1995	Silagy	.....	482/47
D405,134 S *	2/1999	Hug	.....	D21/684
D416,299 S *	11/1999	Hug	.....	D21/684
D418,180 S *	12/1999	Hug	.....	D21/684
D418,560 S *	1/2000	Hug	.....	D21/684
D419,210 S *	1/2000	Hug	.....	D21/684
7,967,732 B2 *	6/2011	D'Addario et al.	.....	482/47
2003/0131710 A1 *	7/2003	Goldiner	.....	84/265
2013/0196825 A1 *	8/2013	Silagy et al.	.....	482/49

\* cited by examiner

*Primary Examiner* — Robert M Spear

*Assistant Examiner* — Ryan Harvey

(74) *Attorney, Agent, or Firm* — Weiner & Burt, P.C.; Irving M. Weiner; Pamela S. Burt

(57) **CLAIM**

The ornamental design for a finger/hand exerciser, as shown and described.

**DESCRIPTION**

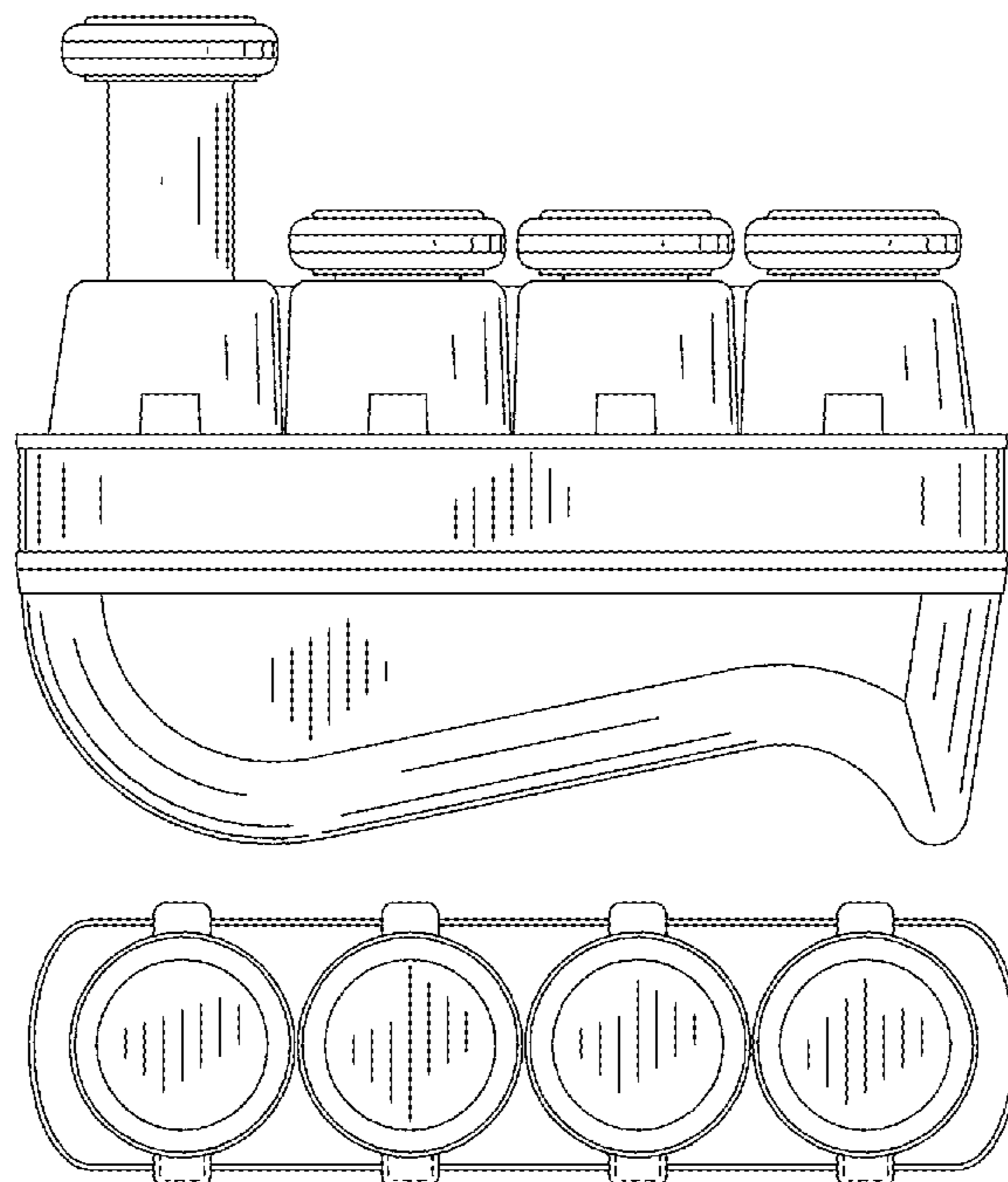
FIG. 1 is a front elevational view of the finger/hand exerciser; FIG. 2 is a bottom view thereof; FIG. 3 is a rear elevational view thereof; FIG. 4 is a top view thereof; FIG. 5 is a left side elevational view thereof; and, FIG. 6 is a right side elevational view thereof.

**1 Claim, 3 Drawing Sheets**

(56) **References Cited**

U.S. PATENT DOCUMENTS

1,796,216 A *	3/1931	Petterson	.....	482/47
2,947,211 A *	8/1960	Shuman	.....	84/388
3,738,651 A *	6/1973	Norman et al.	.....	482/47



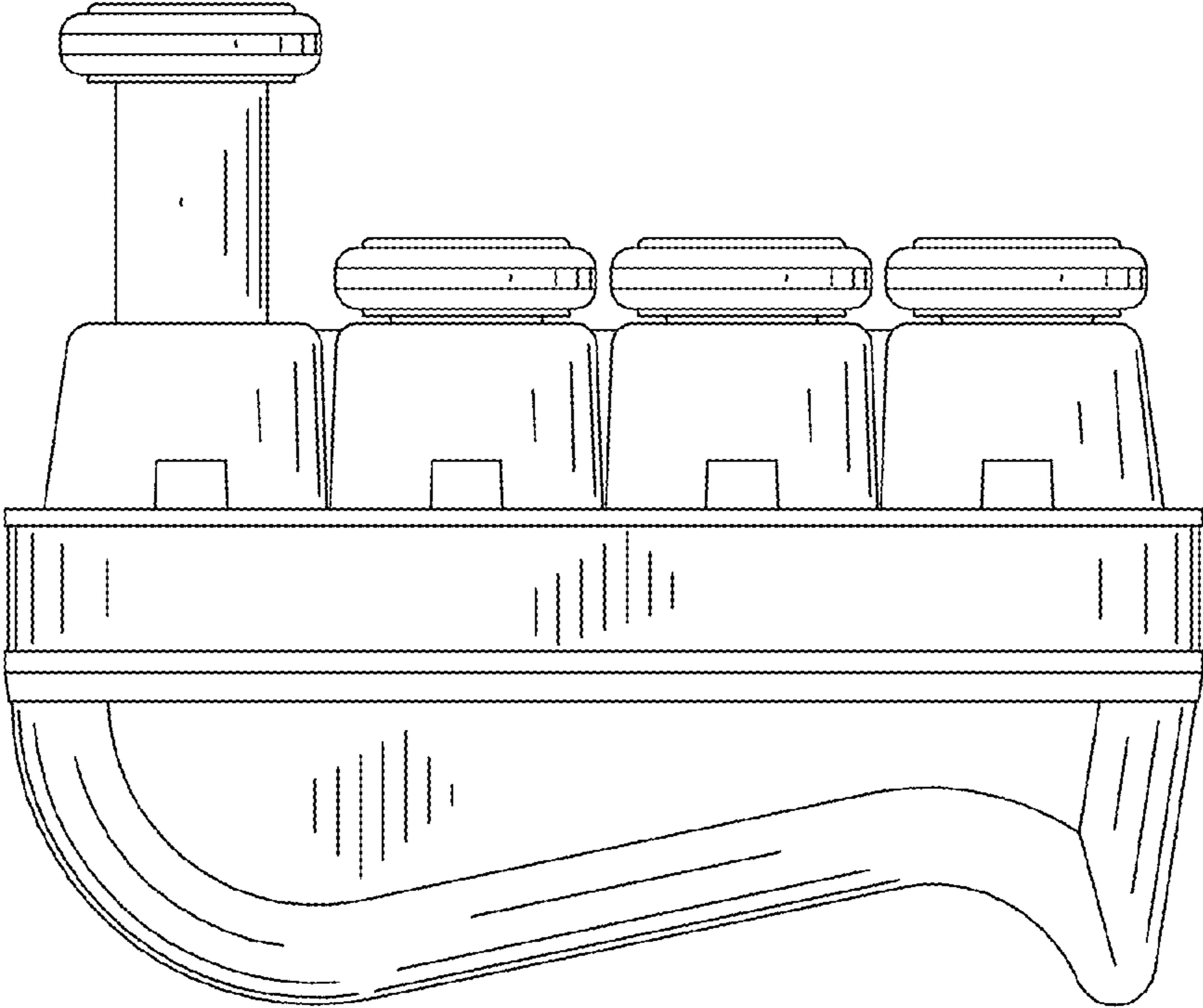


FIG 1

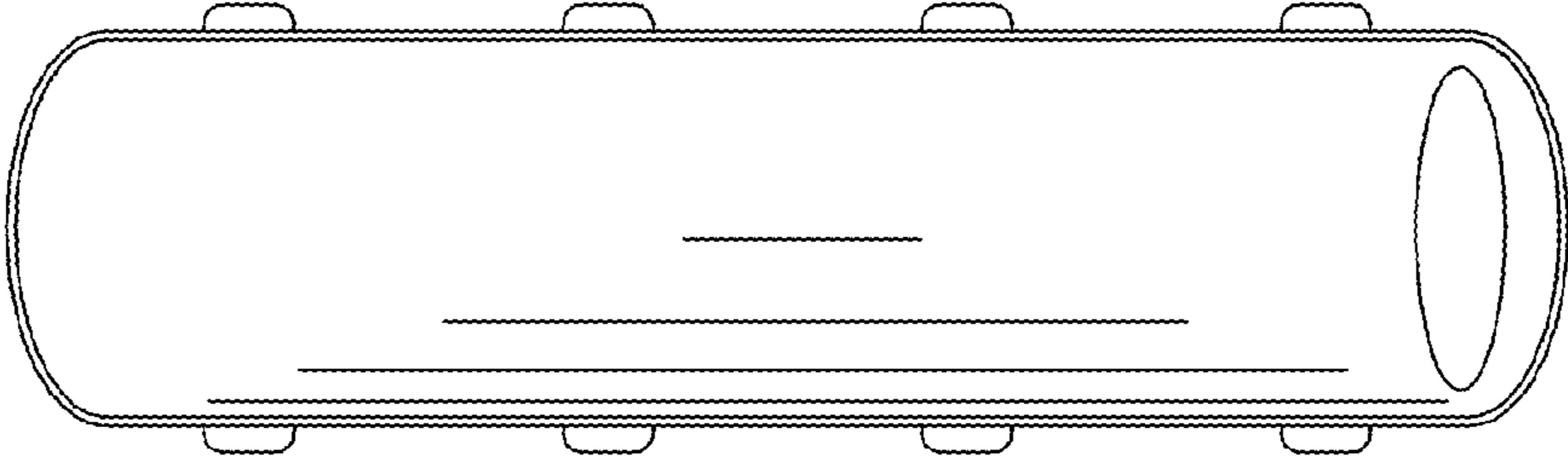


FIG 2

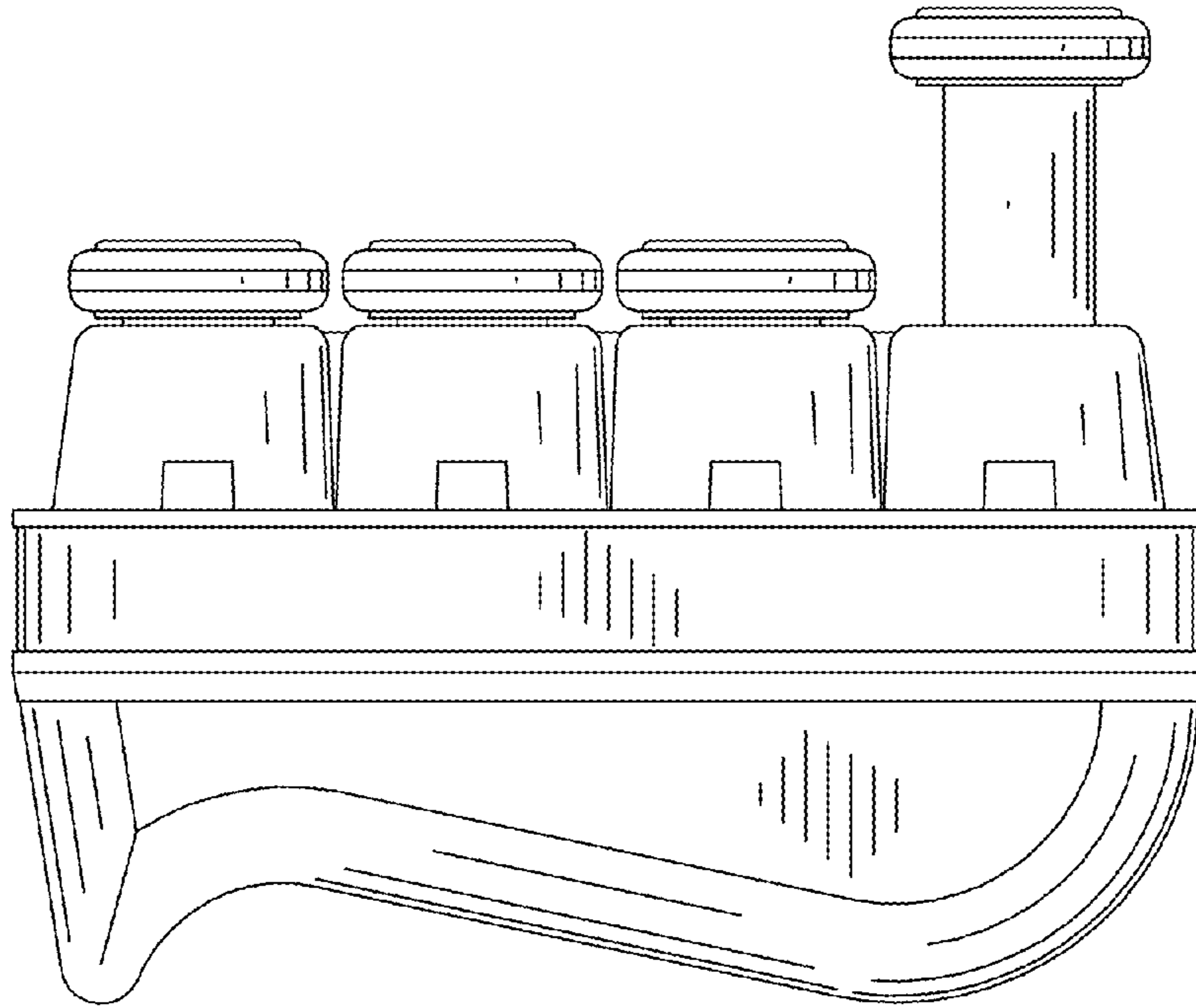


FIG 3

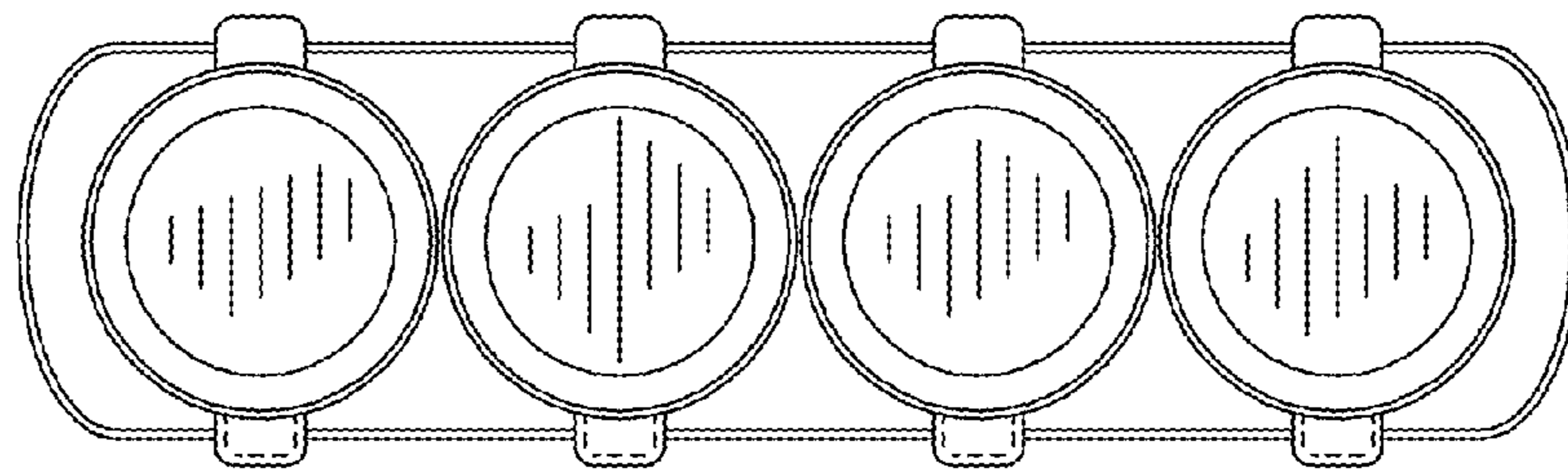


FIG 4

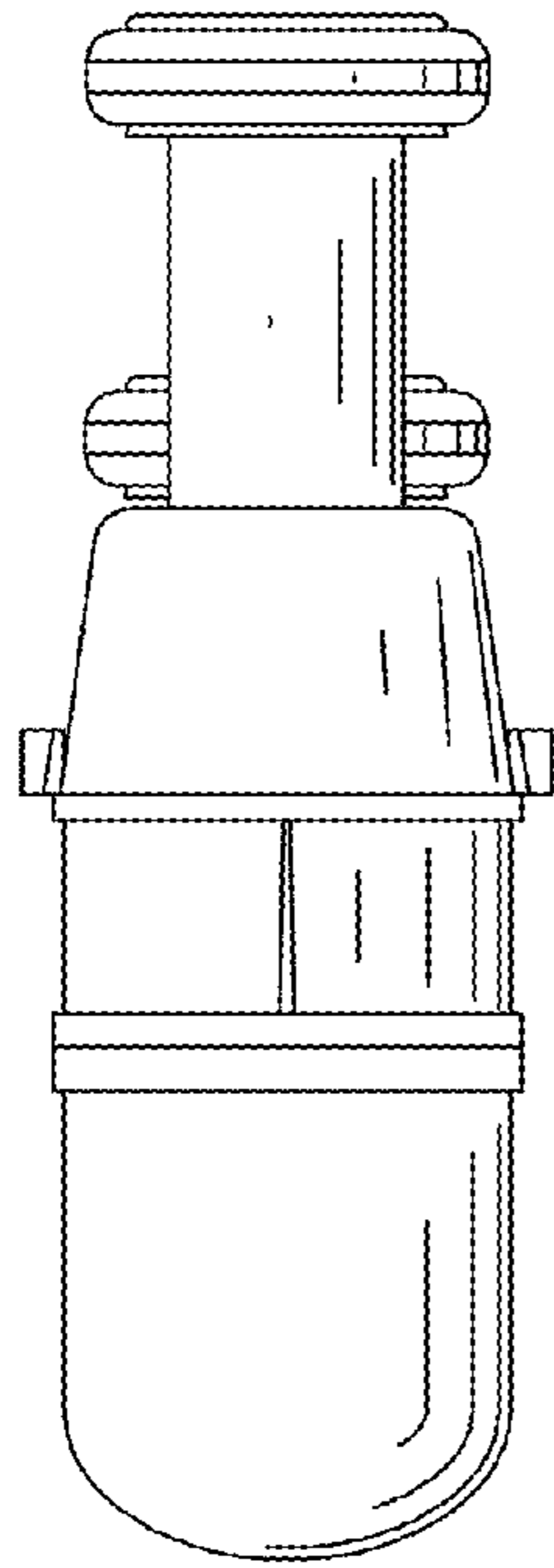


FIG 5

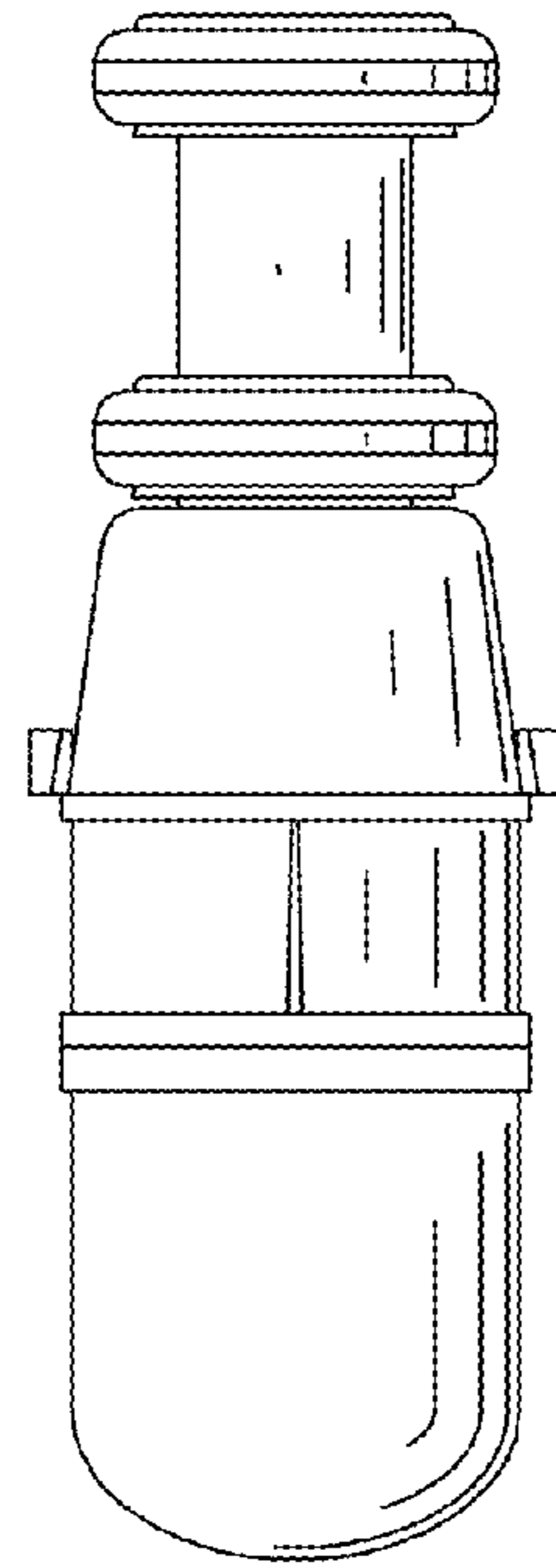


FIG 6