



US00D732614S

(12) **United States Design Patent**
Davies, III

(10) **Patent No.:** **US D732,614 S**
(45) **Date of Patent:** **** Jun. 23, 2015**

- (54) **OCTAGON WEIGHT PLATE**
- (71) Applicant: **David Robert Davies, III**, North Chesterfield, VA (US)
- (72) Inventor: **David Robert Davies, III**, North Chesterfield, VA (US)
- (73) Assignee: **Atlas Barbell, LLC**, North Chesterfield, VA (US)
- (**) Term: **14 Years**
- (21) Appl. No.: **29/464,606**
- (22) Filed: **Aug. 19, 2013**
- (51) **LOC (10) Cl.** **21-02**
- (52) **U.S. Cl.**
USPC **D21/680**
- (58) **Field of Classification Search**
USPC D21/680, 681; 482/93, 104, 105, 106, 482/107, 108; D9/668; D25/45
CPC A63B 21/0728; A63B 21/0724; A63B 21/072; A63B 2071/0063; A63B 21/075; A63B 21/06
See application file for complete search history.

D606,133 S *	12/2009	Lien	D21/681
7,828,702 B2 *	11/2010	Lien et al.	482/106
D639,874 S *	6/2011	Hillson	D21/680
D643,075 S *	8/2011	Childs	D21/680
D673,230 S *	12/2012	Qin	D21/680
D684,224 S *	6/2013	Davies, III	D21/681

* cited by examiner

Primary Examiner — George D Kirschbaum

Assistant Examiner — Jennifer Watkins

(74) *Attorney, Agent, or Firm* — Whitham Curtis Christofferson & Cook, PC

(57) **CLAIM**

I claim the ornamental design for octagon weight plate, as shown and described.

DESCRIPTION

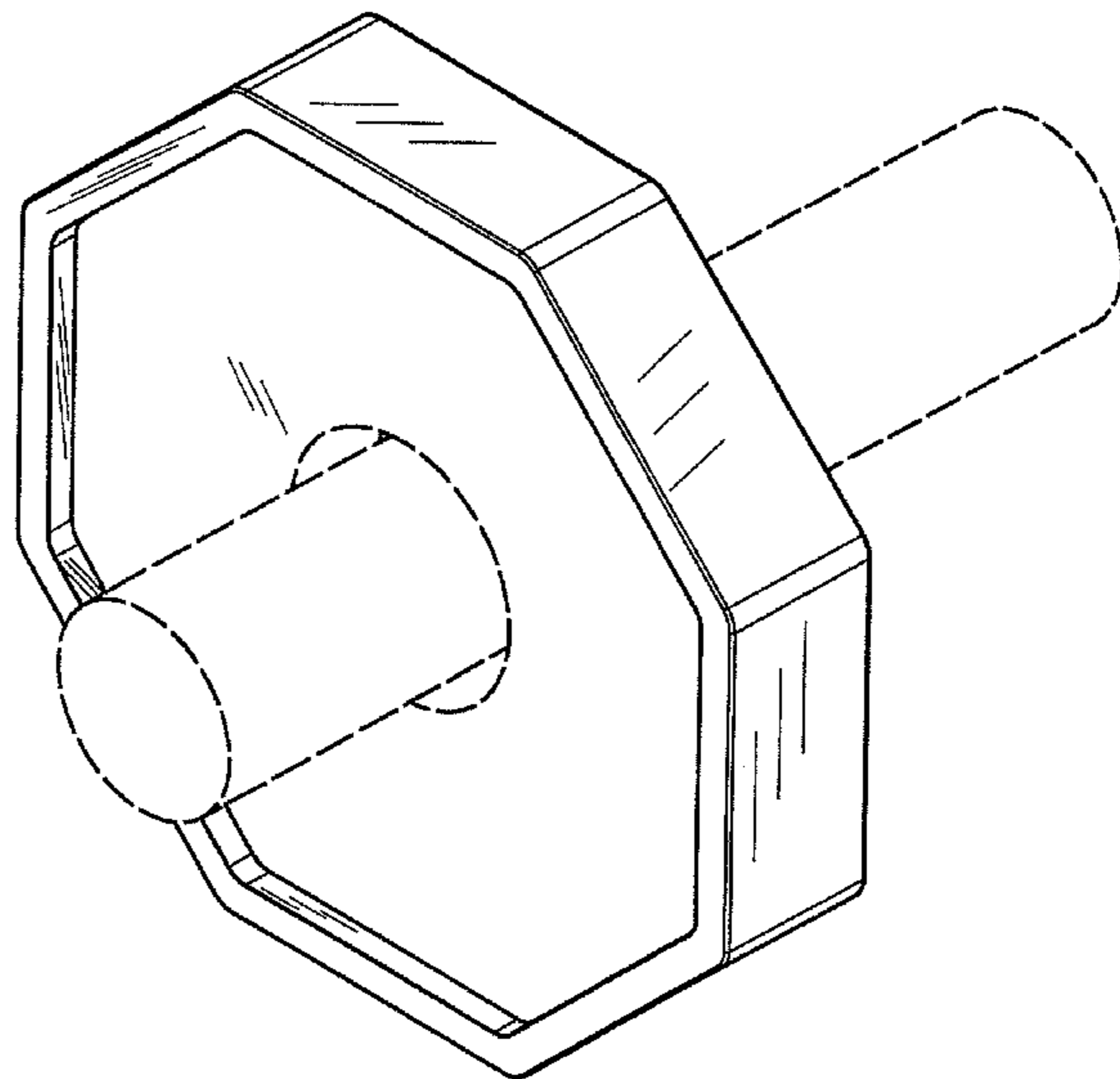
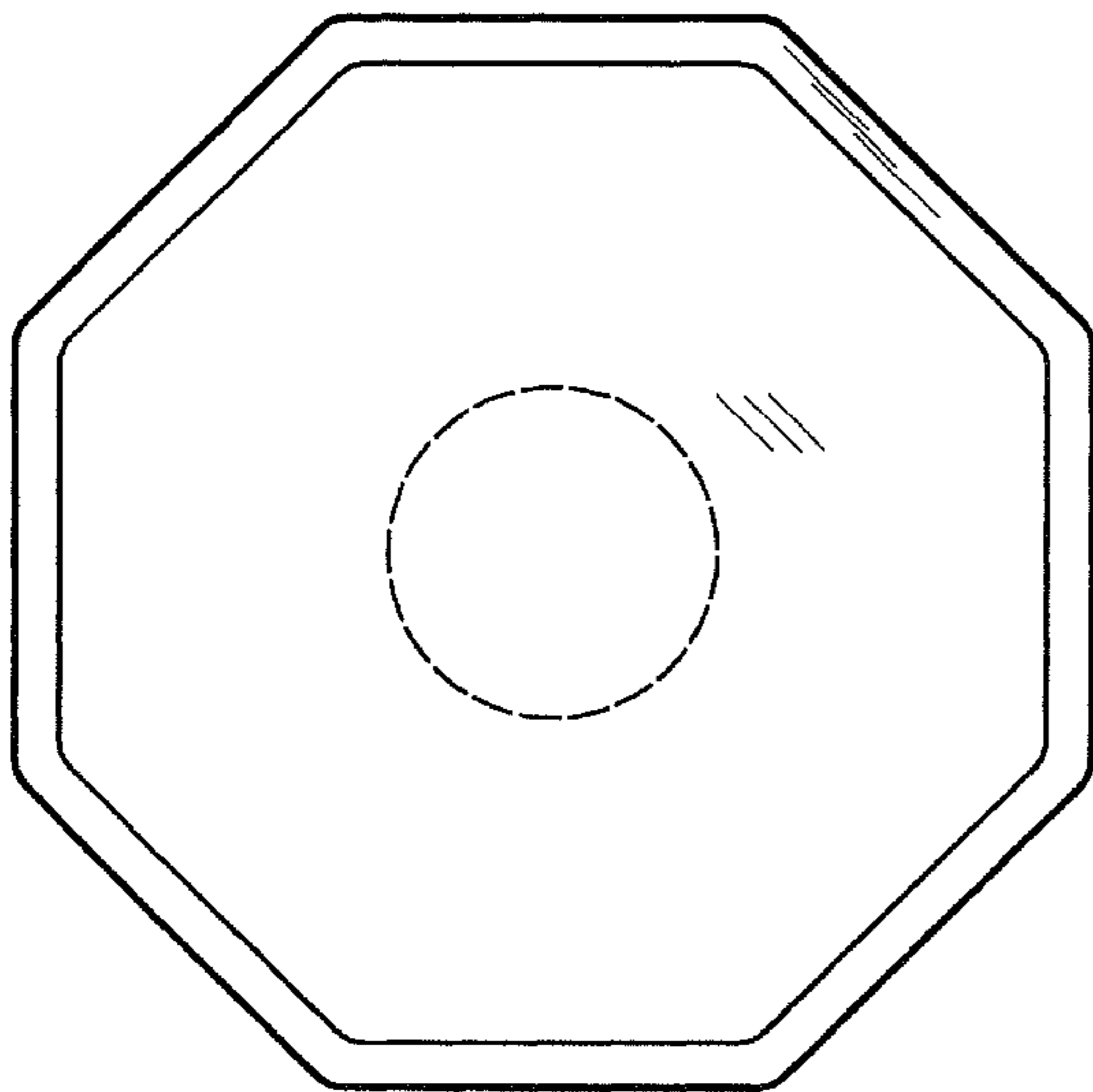
FIG. 1 is a front plan view of an octagon weight plate, the rear being a mirror image thereof;
 FIG. 2 is a side elevational view of the octagon weight plate, each side being a mirror image thereof;
 FIG. 3 is a side view of the octagon weight plate mounted on a bar, each side being a mirror image thereof;
 FIG. 4 is an isometric view of an octagon weight plate, each side being a mirror image thereof; and,
 FIG. 5 is an isometric view of an octagon weight plate mounted on a bar, each side being a mirror image thereof.
 The broken lines on the octagon weight plate are for the purpose of illustrating portions of the article that form no part of the claim. The broken line showing of the bar is for the purpose of illustrating environment and forms no part of the claim.

1 Claim, 5 Drawing Sheets

(56) **References Cited**

U.S. PATENT DOCUMENTS

D283,547 S *	4/1986	Ghizzi	D25/45
D355,007 S	1/1995	Rojas et al.	
D409,266 S	5/1999	Rojas et al.	
D428,947 S *	8/2000	Harms et al.	D21/680
D445,854 S *	7/2001	Harms et al.	D21/680
6,736,765 B2 *	5/2004	Wallace et al.	482/106
D566,207 S *	4/2008	Cao	D21/681



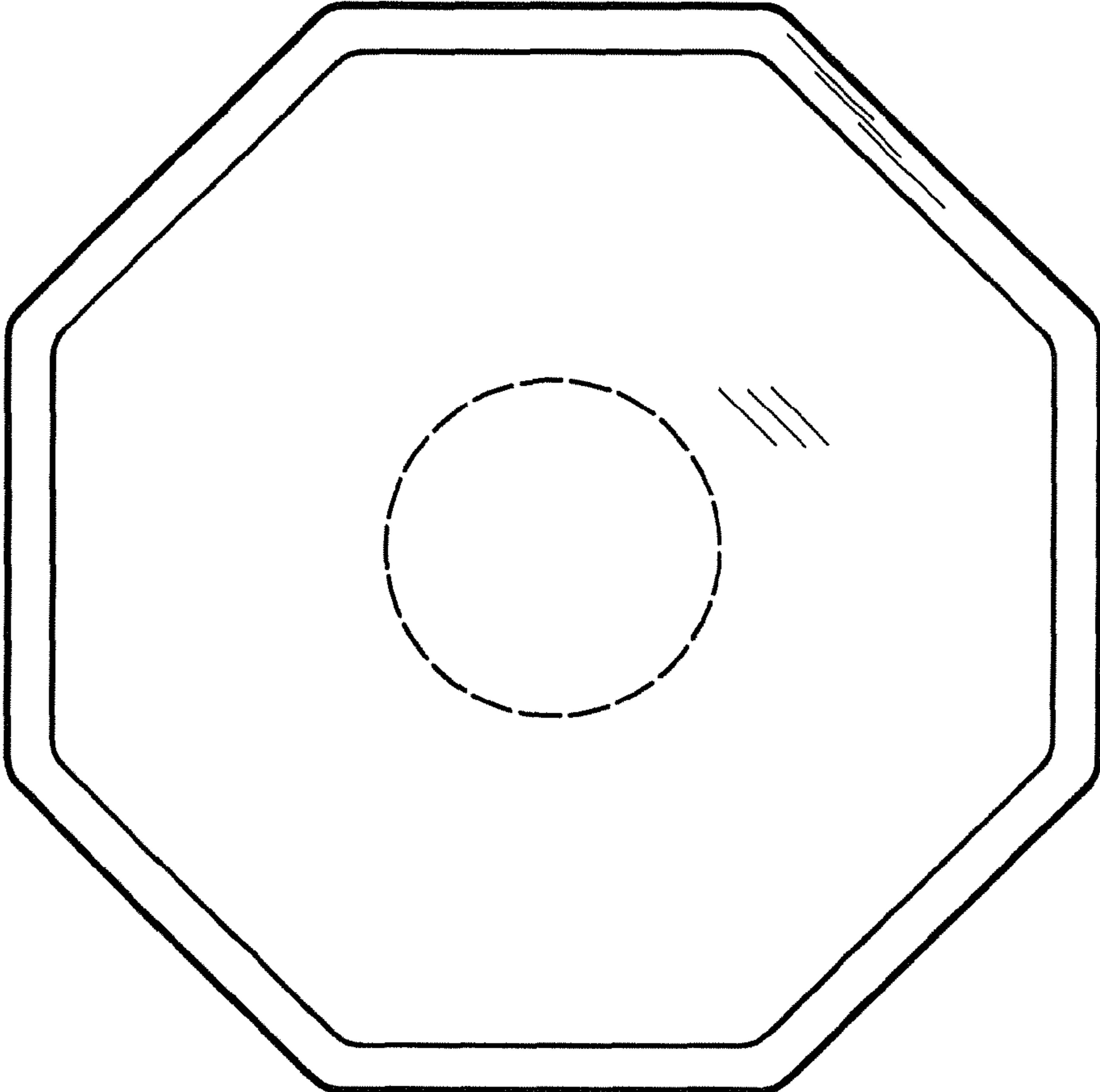


FIG. 1

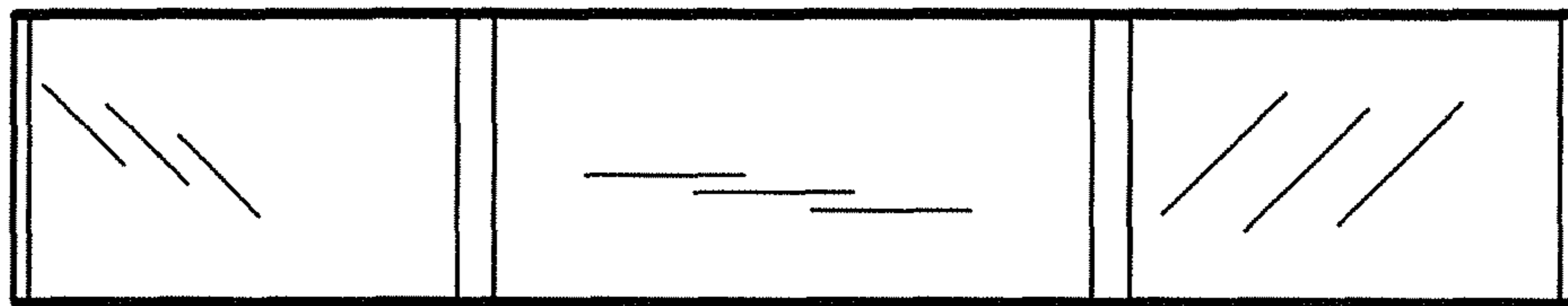


FIG. 2

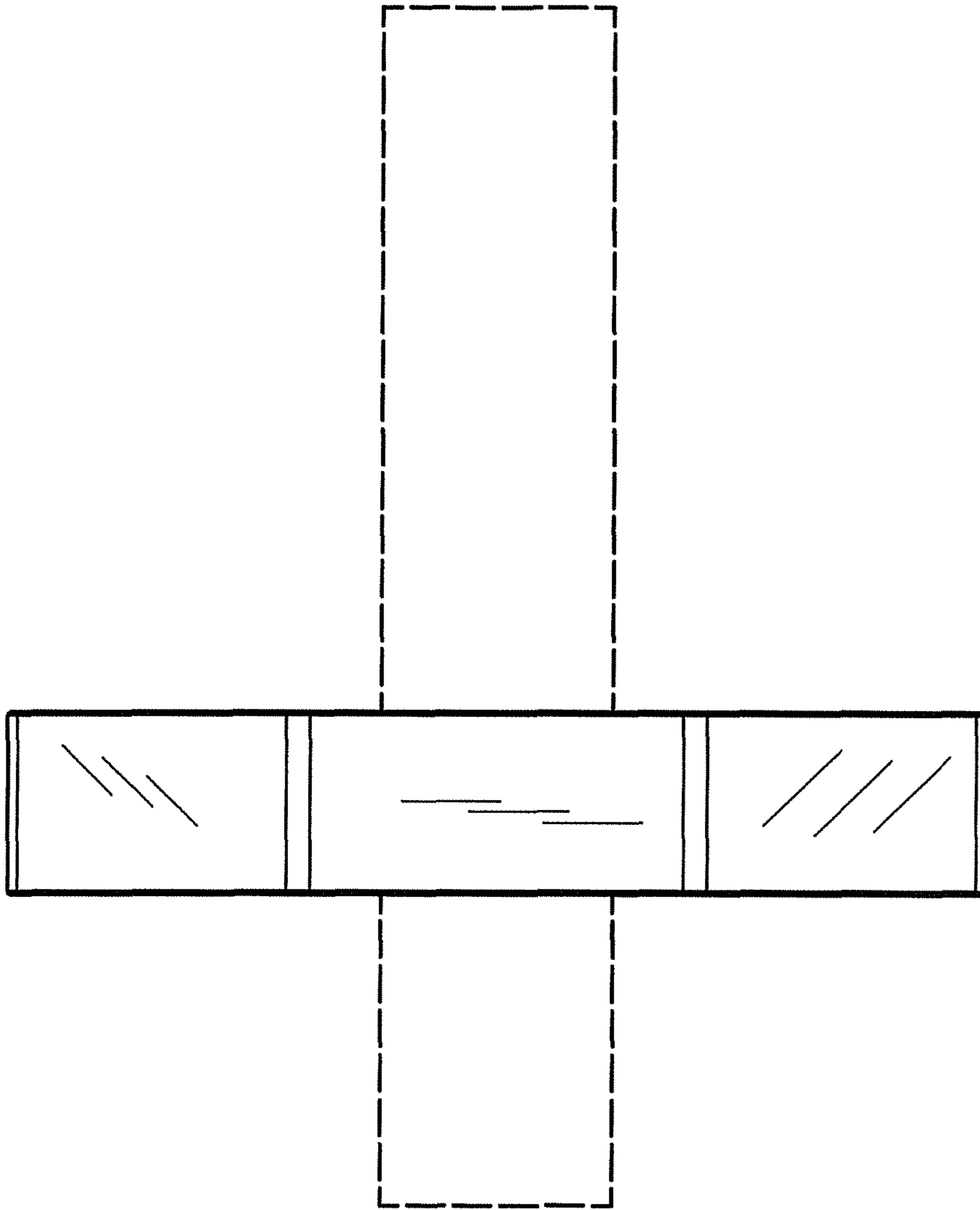


FIG. 3

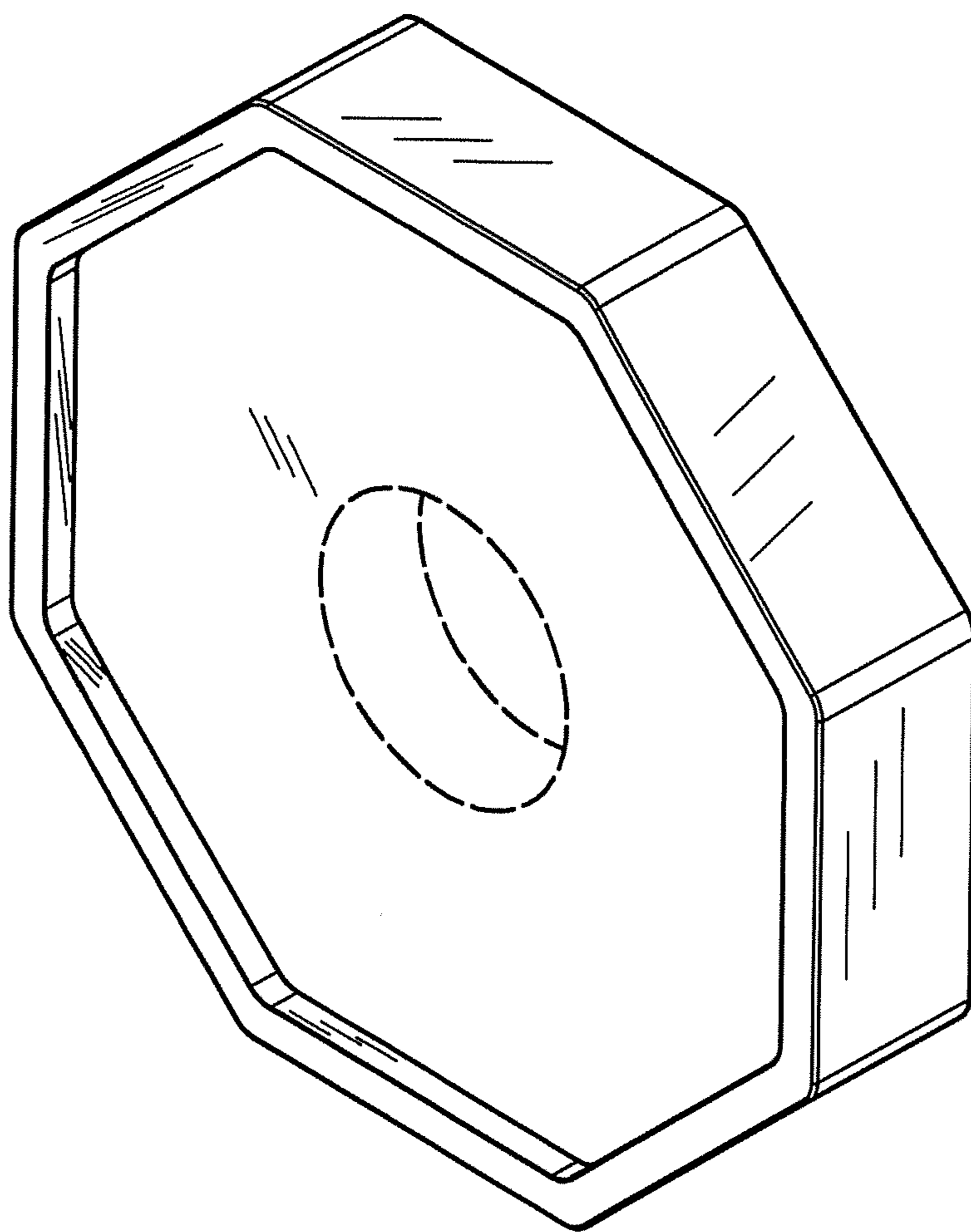


FIG. 4

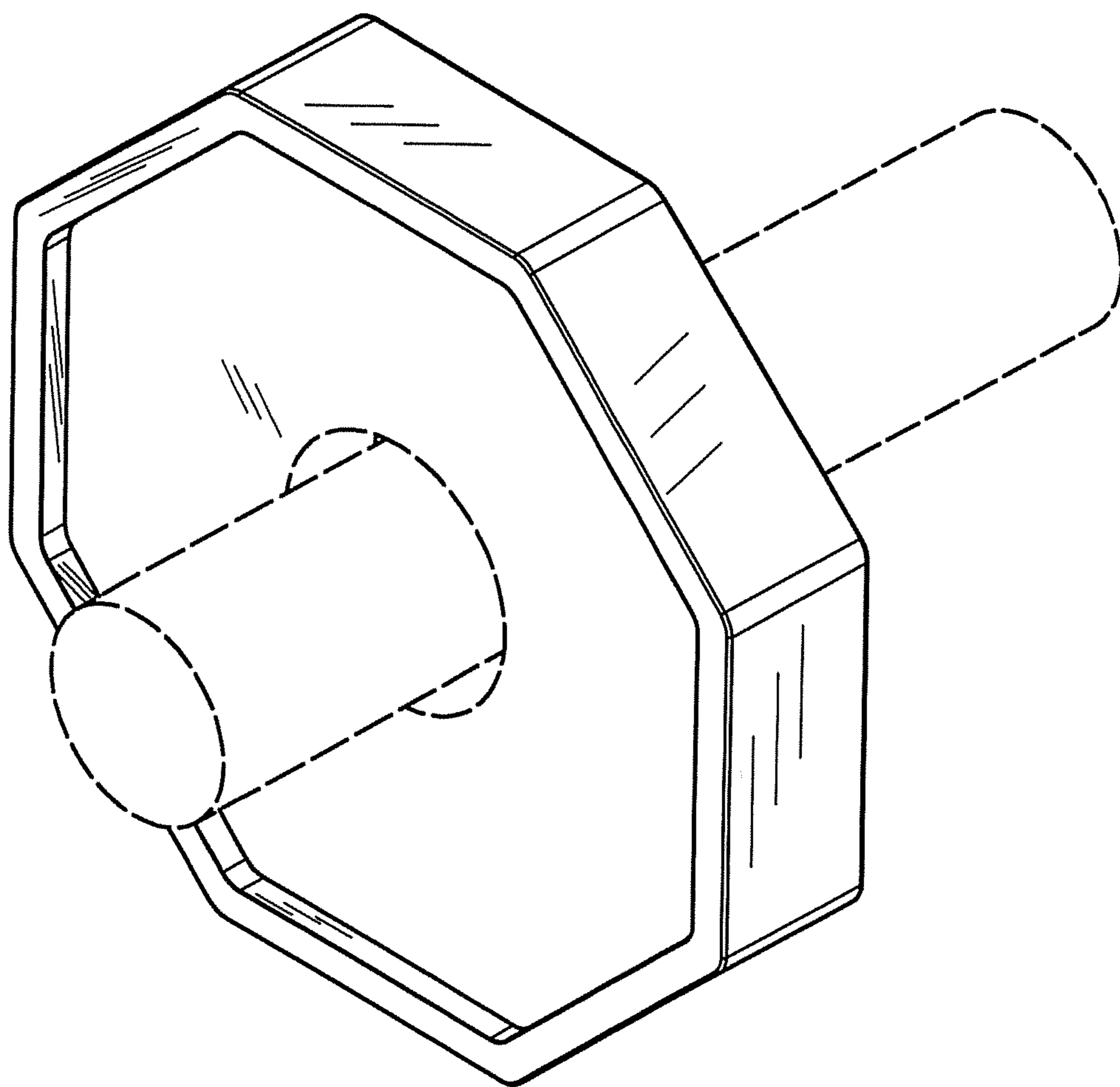


FIG. 5