



US00D732613S

(12) **United States Design Patent**
Davies, III

(10) **Patent No.:** **US D732,613 S**
(45) **Date of Patent:** **** Jun. 23, 2015**

(54) **OCTAGON WEIGHT**

(71) Applicant: **David Robert Davies, III**, North
Chesterfield, VA (US)

(72) Inventor: **David Robert Davies, III**, North
Chesterfield, VA (US)

(73) Assignee: **Atlas Barbell, LLC**, North Chesterfield,
VA (US)

(**) Term: **14 Years**

(21) Appl. No.: **29/464,102**

(22) Filed: **Aug. 13, 2013**

(51) **LOC (10) Cl.** **21-02**

(52) **U.S. Cl.**
USPC **D21/680**

(58) **Field of Classification Search**
USPC D21/680, 681; 482/93, 104, 105, 106,
482/107, 108; D9/668; D25/45
CPC A63B 21/075; A63B 21/0728; A63B
21/0726; A63B 21/00065; A63B 2071/0063
See application file for complete search history.

(56) **References Cited**

U.S. PATENT DOCUMENTS

6,132,344 A * 10/2000 Vanderbleek 482/108
D456,705 S * 5/2002 Vijn D9/668
D474,522 S * 5/2003 Monroe D21/803

7,001,310 B1 * 2/2006 Brice 482/107
D650,289 S * 12/2011 Bosiljevac et al. D9/668
D708,479 S * 7/2014 Kramer D7/515
D708,480 S * 7/2014 Kramer D7/515
D710,241 S * 8/2014 Vaughan et al. D11/81
2002/0107118 A1 * 8/2002 Shifferaw 482/106
2002/0128127 A1 * 9/2002 Chen 482/106

* cited by examiner

Primary Examiner — George D Kirschbaum

Assistant Examiner — Jennifer Watkins

(74) *Attorney, Agent, or Firm* — Whitham Curtis &
Christofferson & Cook PC

(57) **CLAIM**

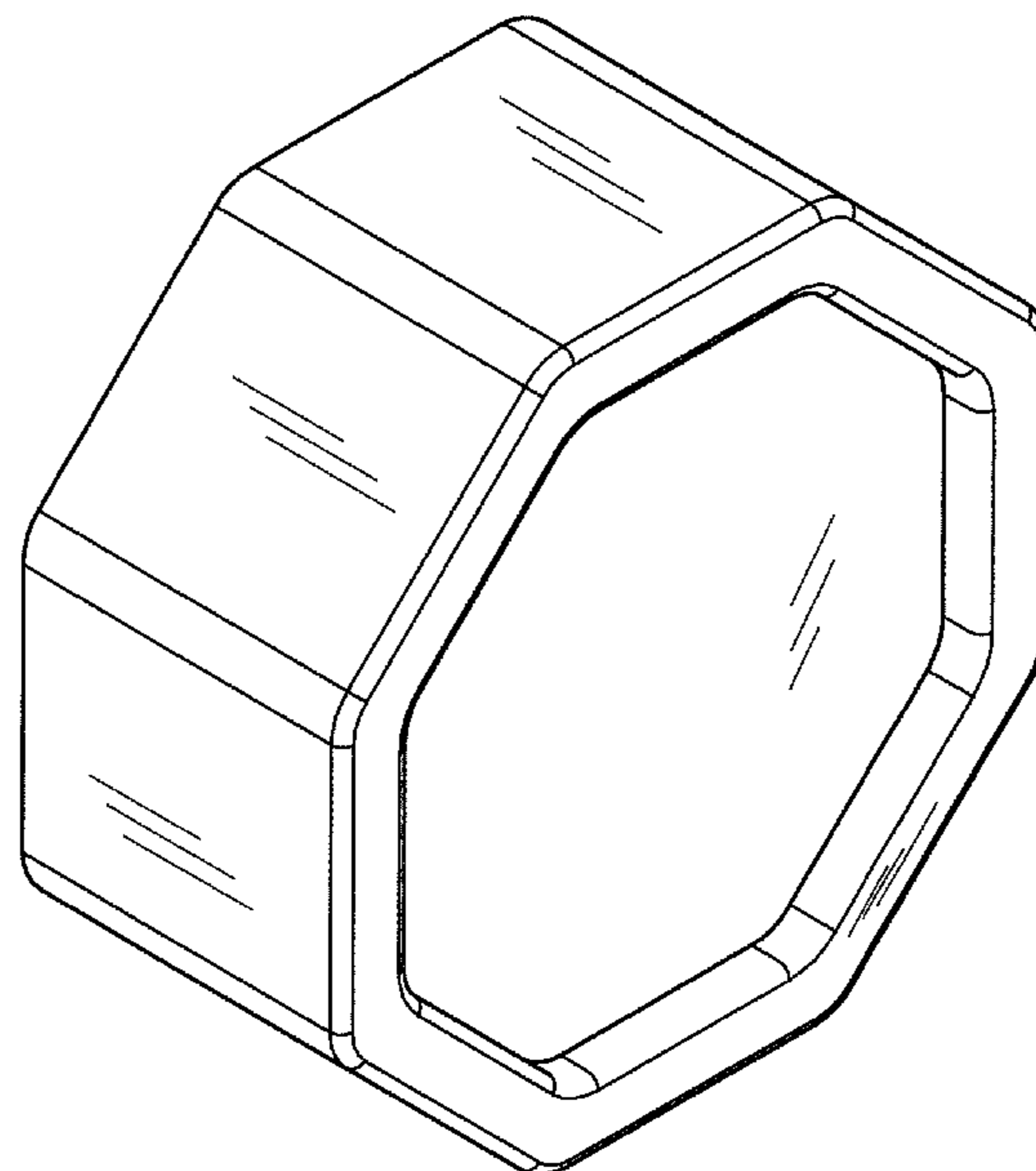
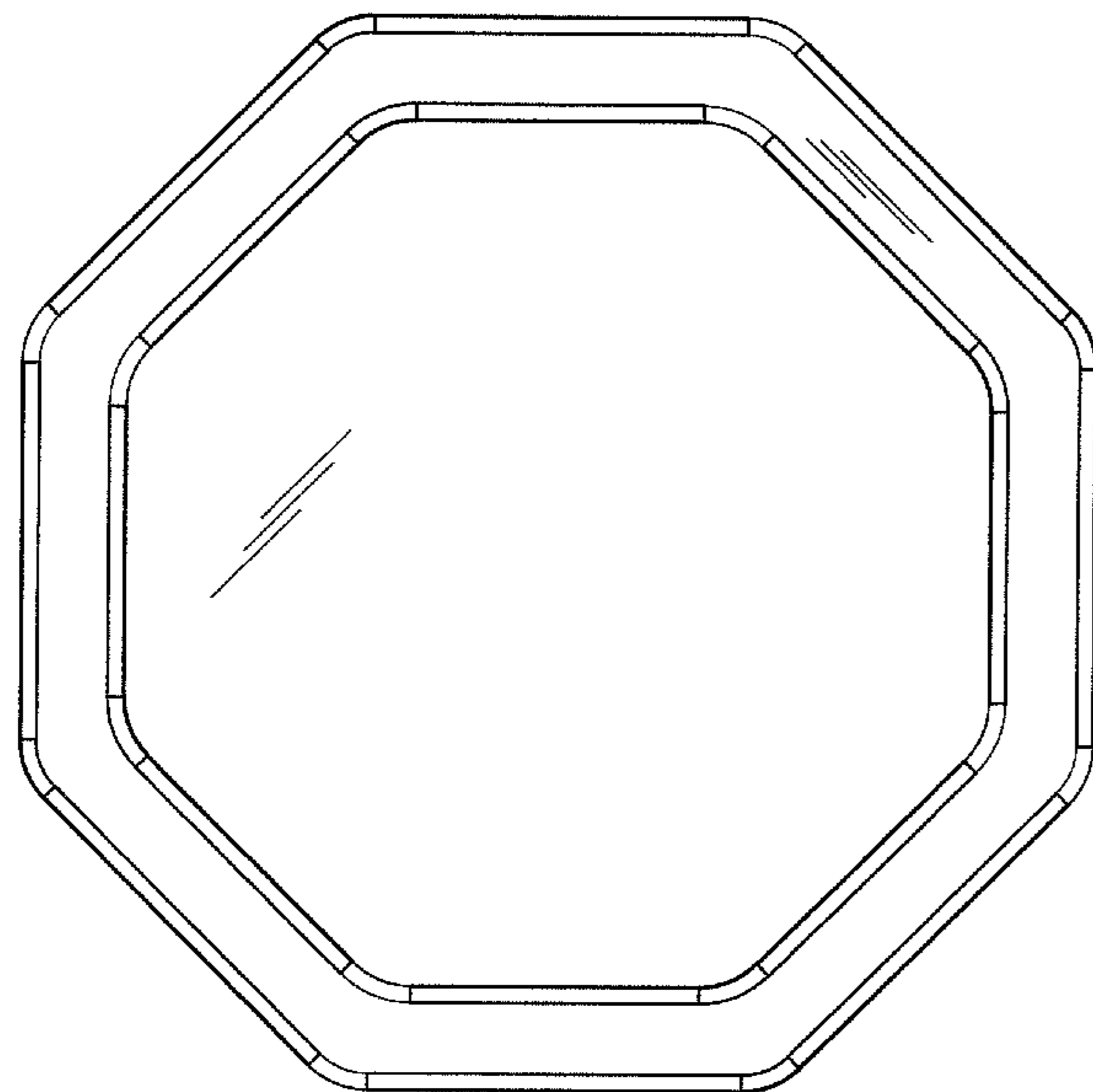
I claim the ornamental design for octagon weight, as shown
and described.

DESCRIPTION

FIG. 1 is a front plan view of an octagon weight;
FIG. 2 is a rear plan view thereof;
FIG. 3 is a side elevational view of the octagon weight, all
eight sides being a mirror image thereof;
FIG. 4 is a rear side isometric view thereof;
FIG. 5 is a front isometric view thereof;
FIG. 6 is a front isometric view thereof; and,
FIG. 7 is an isometric view of two octagon weights shown in
a condition of use.

The broken lines in the drawings are for the purpose of illus-
trating portions of the article that form no part of the claim.

1 Claim, 7 Drawing Sheets



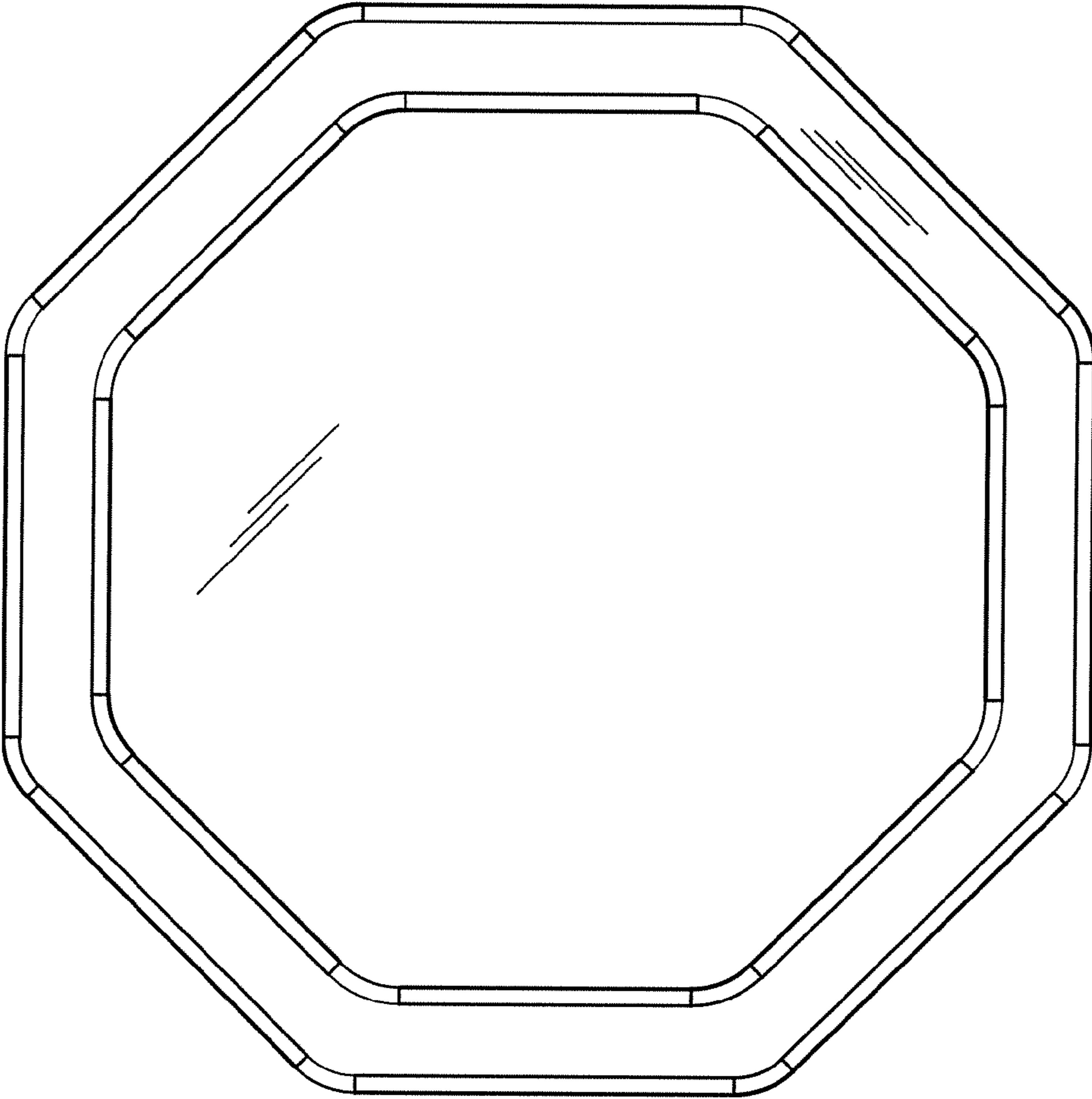


FIG. 1

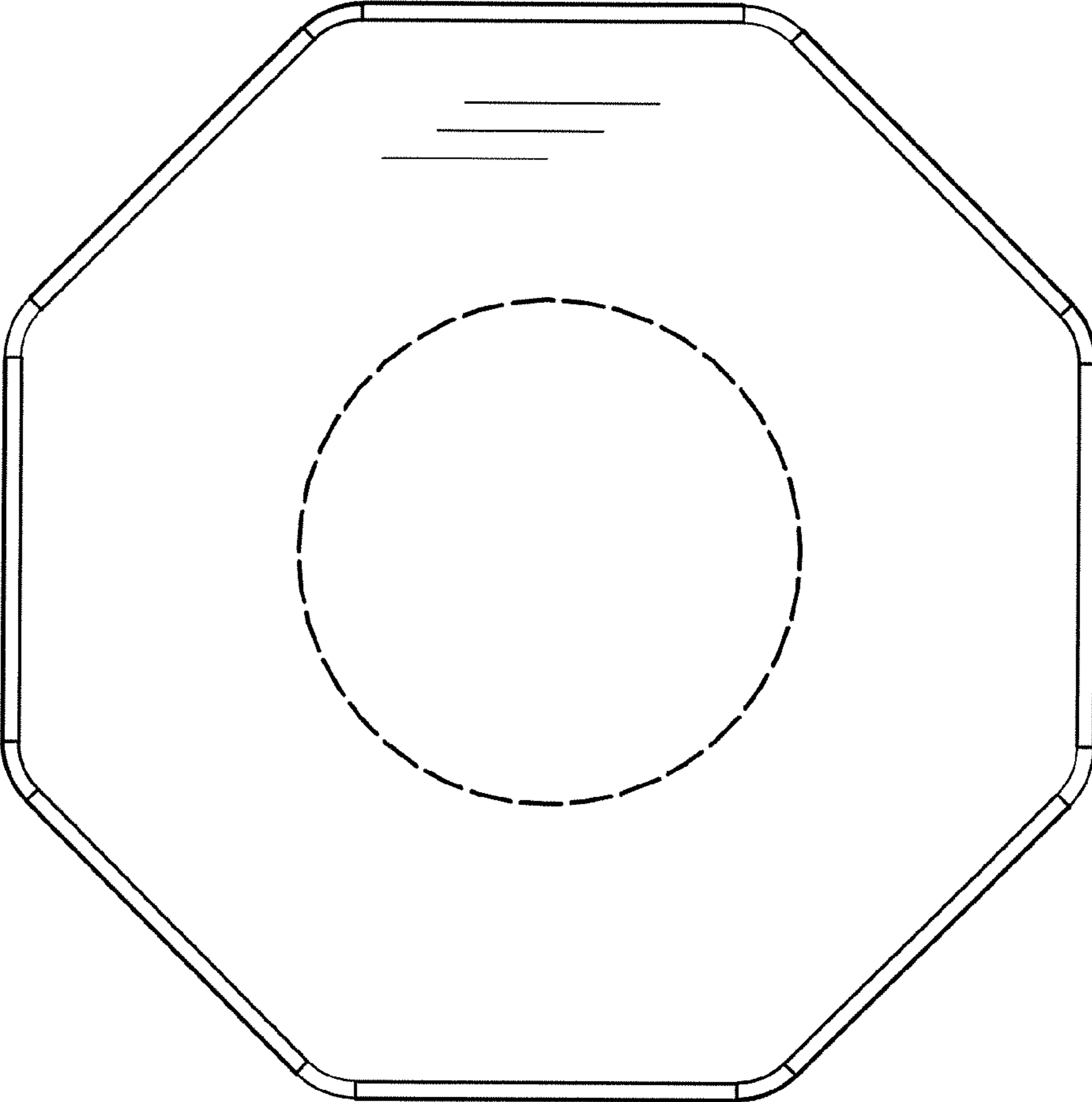


FIG. 2

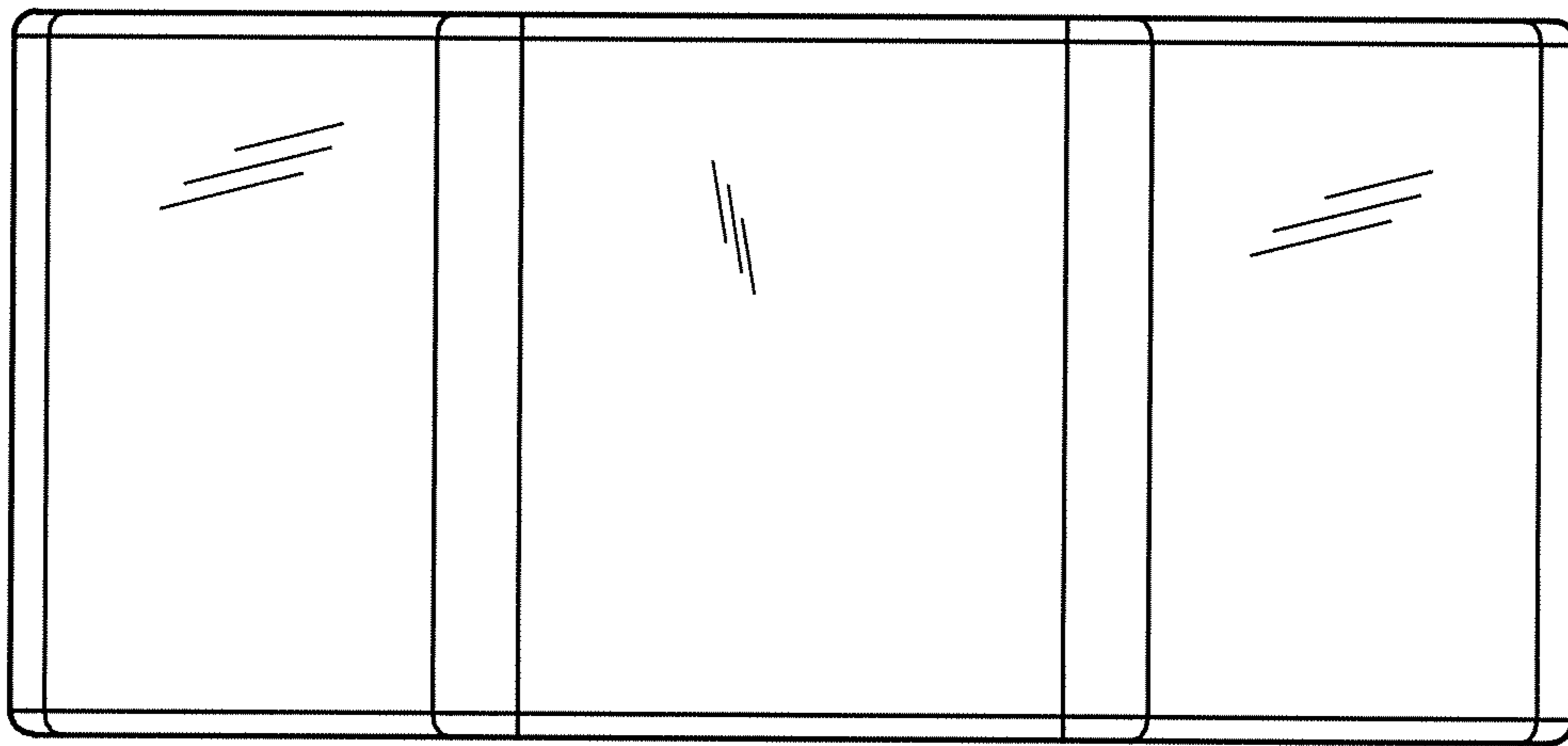


FIG. 3

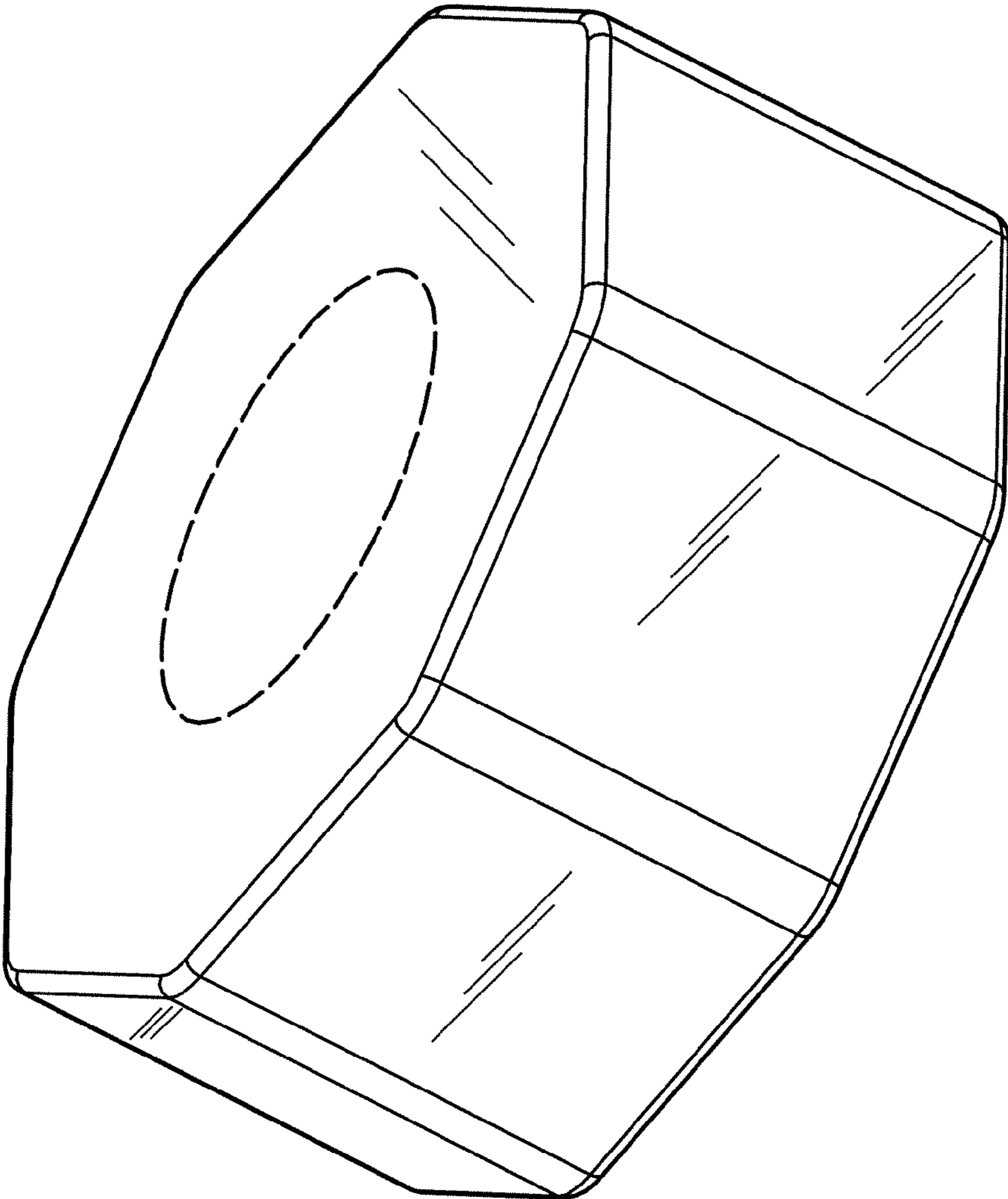


FIG. 4

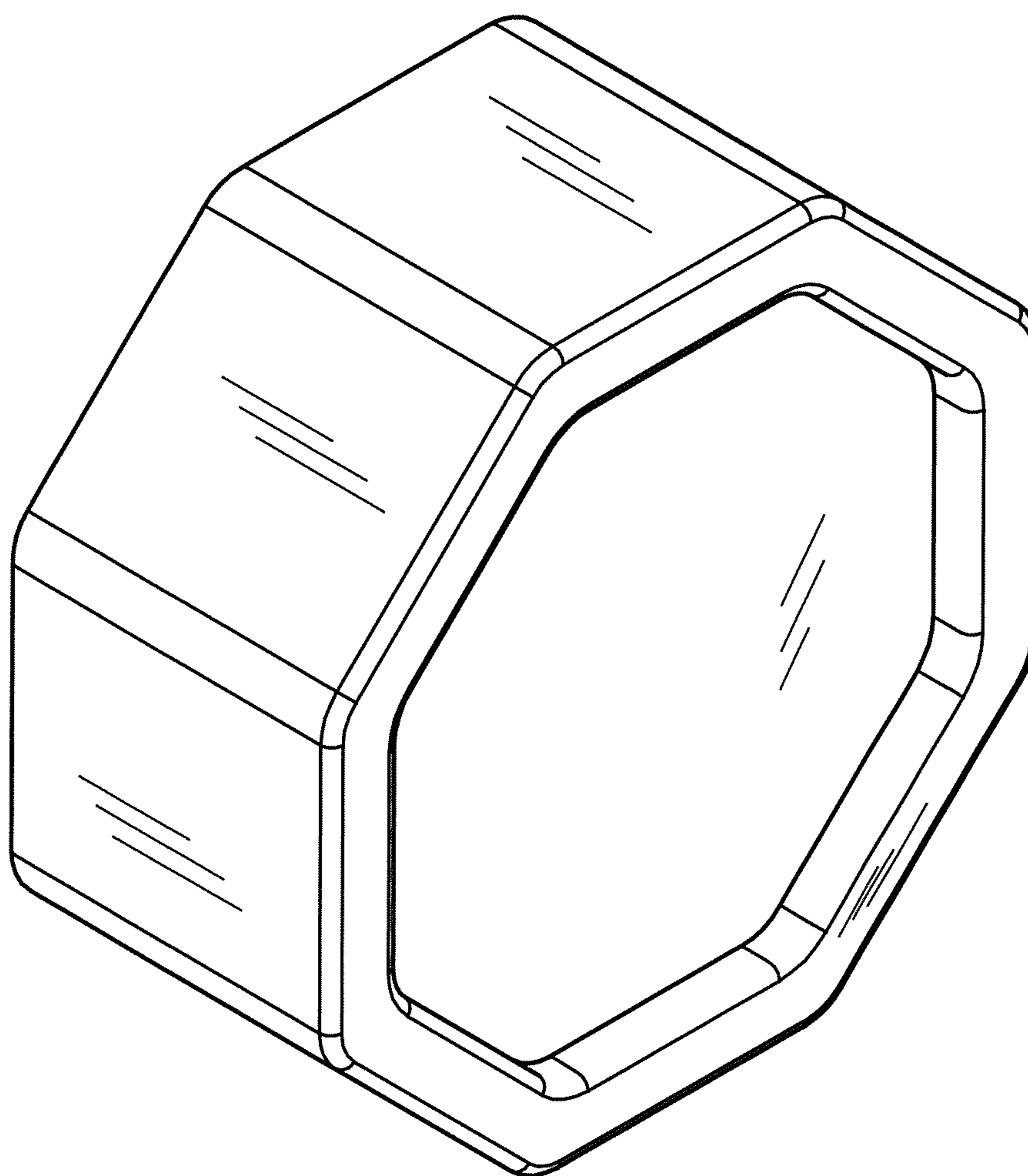


FIG. 5

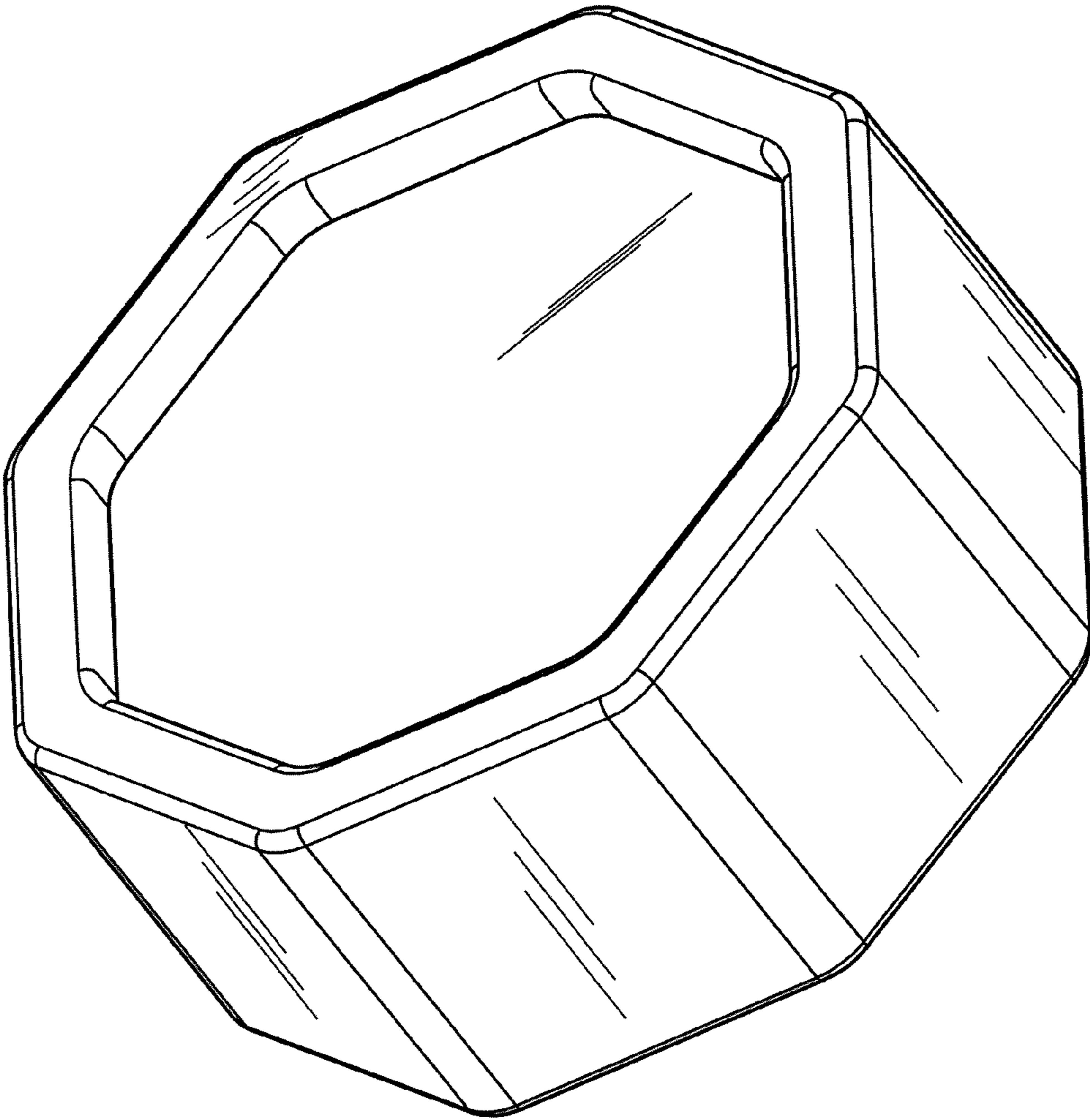


FIG. 6

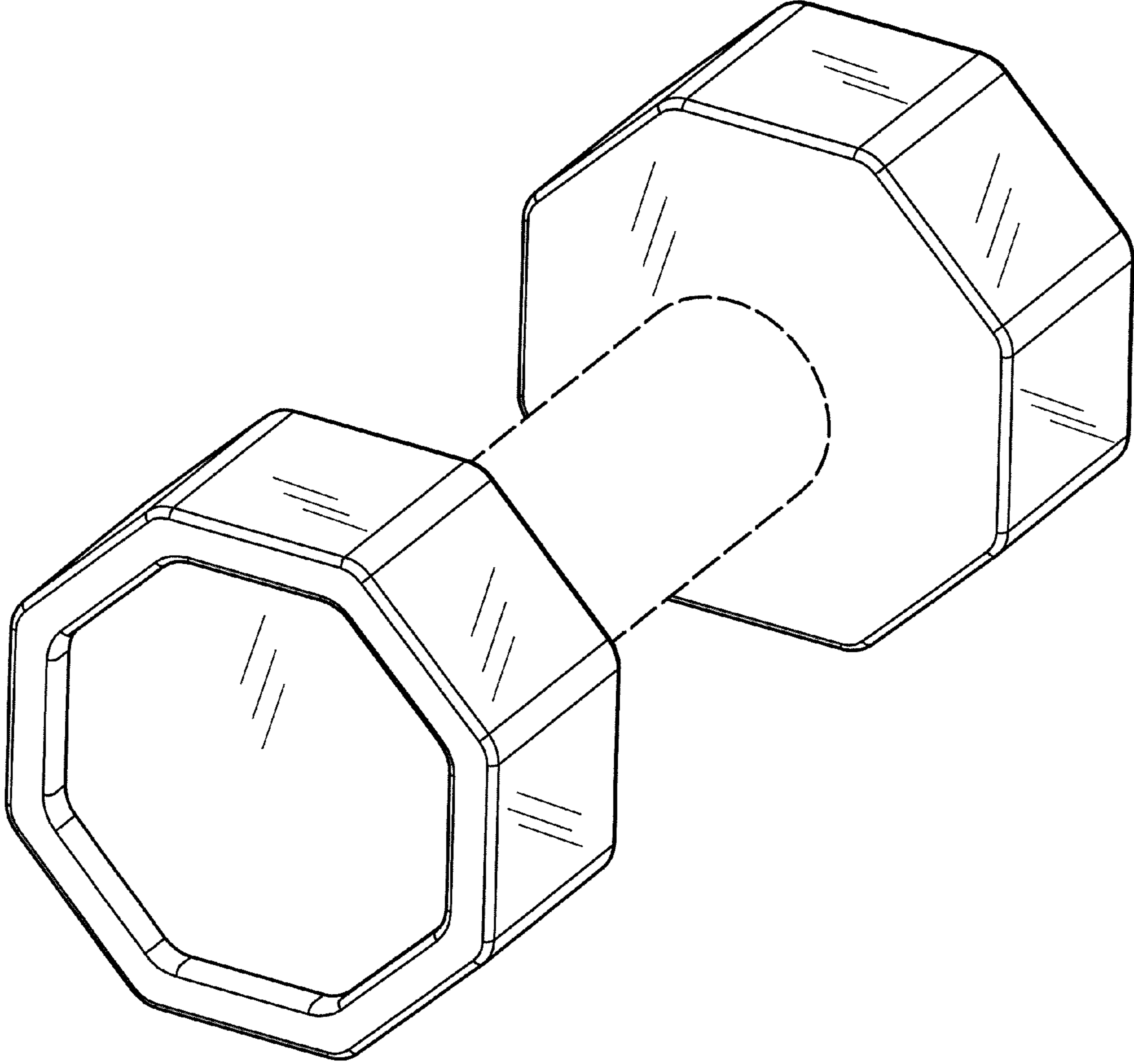


FIG. 7