



US00D732612S

(12) **United States Design Patent**  
**Klampfer**

(10) **Patent No.:** **US D732,612 S**  
(45) **Date of Patent:** **\*\* Jun. 23, 2015**

- (54) **SKI TRAINING MACHINE**
- (71) Applicant: **DAMJAN KLAMPFER S.P.**, Ljubljana (SI)
- (72) Inventor: **Damjan Klampfer**, Rače (SI)
- (73) Assignee: **DAMJAN KLAMPFER S.P.** (SI)
- (\*\*) Term: **14 Years**
- (21) Appl. No.: **29/453,160**
- (22) Filed: **Apr. 25, 2013**
- (51) **LOC (10) CL.** ..... **21-02**
- (52) **U.S. CL.**  
USPC ..... **D21/668**
- (58) **Field of Classification Search**  
USPC ..... D21/662-671, 694, 697; 482/52, 54, 482/56, 57, 59-61, 63-66, 70, 71, 74-76, 482/80, 140-145  
CPC ..... A63B 69/18; A63B 2208/12; A63B 2022/185; A63B 69/182; A63B 2022/003; A63C 5/16  
See application file for complete search history.

7,798,943 B1 \* 9/2010 Tsai ..... 482/70  
7,846,073 B2 \* 12/2010 Summers ..... 482/70  
2012/0053019 A1 \* 3/2012 Reyes ..... 482/52

\* cited by examiner

*Primary Examiner* — George D Kirschbaum  
*Assistant Examiner* — Jennifer Watkins  
(74) *Attorney, Agent, or Firm* — Bryant J. Keller; Kirton & McConkie

(57) **CLAIM**  
The ornamental design for a ski training machine, as shown and described.

**DESCRIPTION**

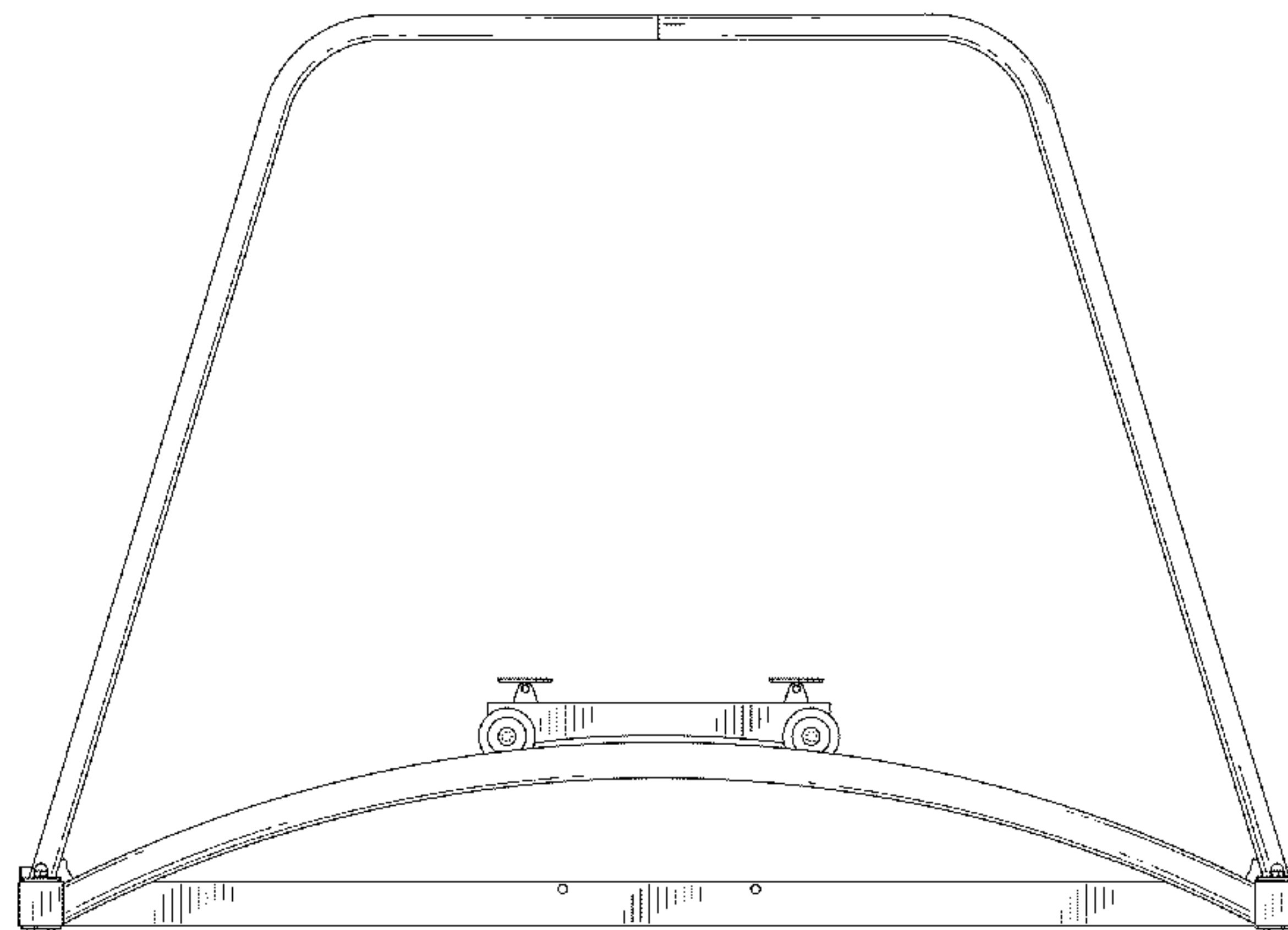
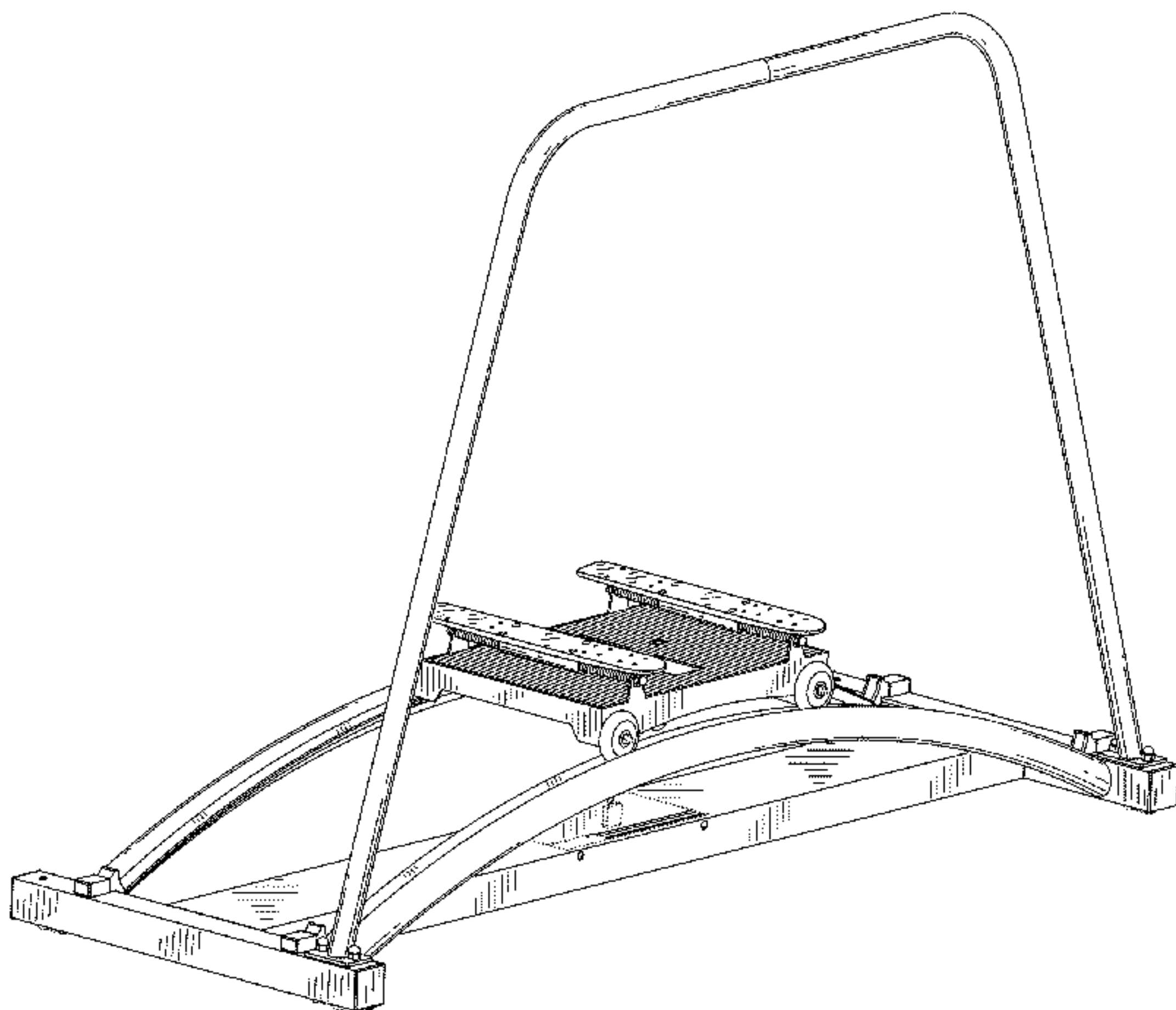
FIG. 1 is a front, right-side perspective view showing my new design, wherein the front, left-side perspective view is a mirror image thereof;  
FIG. 2 is front elevation view thereof;  
FIG. 3 is a back elevation view thereof;  
FIG. 4 is a right-side elevation view thereof;  
FIG. 5 is a left-side elevation view thereof;  
FIG. 6 is a top view thereof;  
FIG. 7 is a bottom view thereof;  
FIG. 8 is a front, right-side perspective view showing my new design disposed on an optional support structure, wherein the front, left-side perspective view is a mirror image thereof;  
FIG. 9 is a front elevation view thereof;  
FIG. 10 is a back elevation view thereof;  
FIG. 11 is a right-side elevation view thereof;  
FIG. 12 is a left-side elevation view thereof;  
FIG. 13 is a top view thereof; and,  
FIG. 14 is a bottom view of the optional support structure.  
The broken lines illustrate portions of the ski training machine which form no part of the claimed design.  
Environmental matter is shown with a symbolic break, for the purposes of scale.

(56) **References Cited**

**U.S. PATENT DOCUMENTS**

- 5,222,928 A \* 6/1993 Yacullo ..... 482/71
- 5,232,423 A \* 8/1993 Hajduczek ..... 482/68
- 5,328,427 A \* 7/1994 Sleamaker ..... 482/71
- D354,099 S \* 1/1995 Gerschefske et al. .... D21/668
- 5,391,131 A \* 2/1995 Gordon ..... 482/71
- 5,503,609 A \* 4/1996 Bull ..... 482/70
- D397,745 S \* 9/1998 Wu ..... D21/668
- 6,106,442 A \* 8/2000 Tissue ..... 482/71
- 7,303,511 B2 \* 12/2007 Bull ..... 482/71
- 7,654,937 B2 \* 2/2010 Baydzhанov ..... 482/71
- D620,540 S \* 7/2010 McVay et al. .... D21/668

**1 Claim, 13 Drawing Sheets**



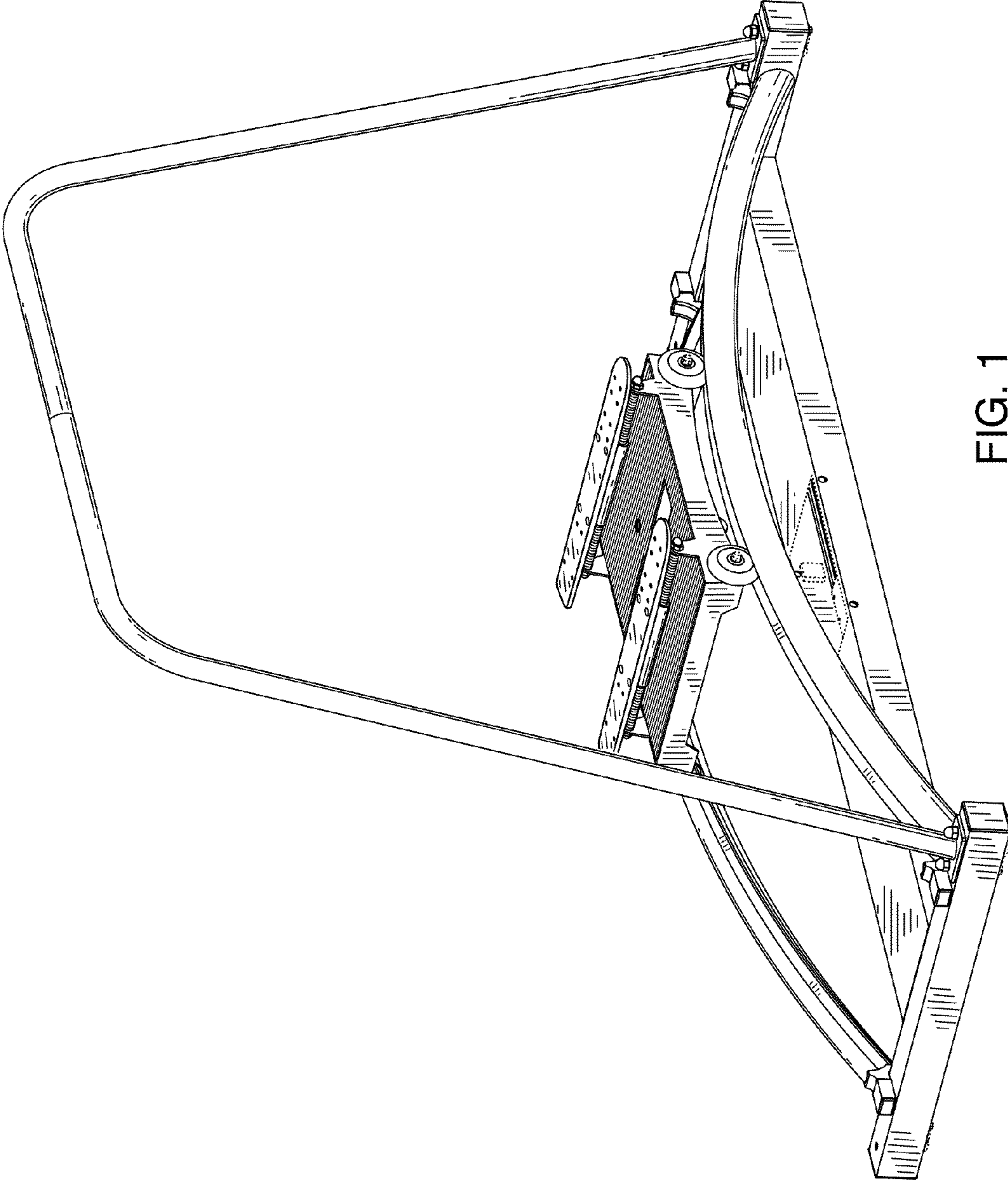


FIG. 1

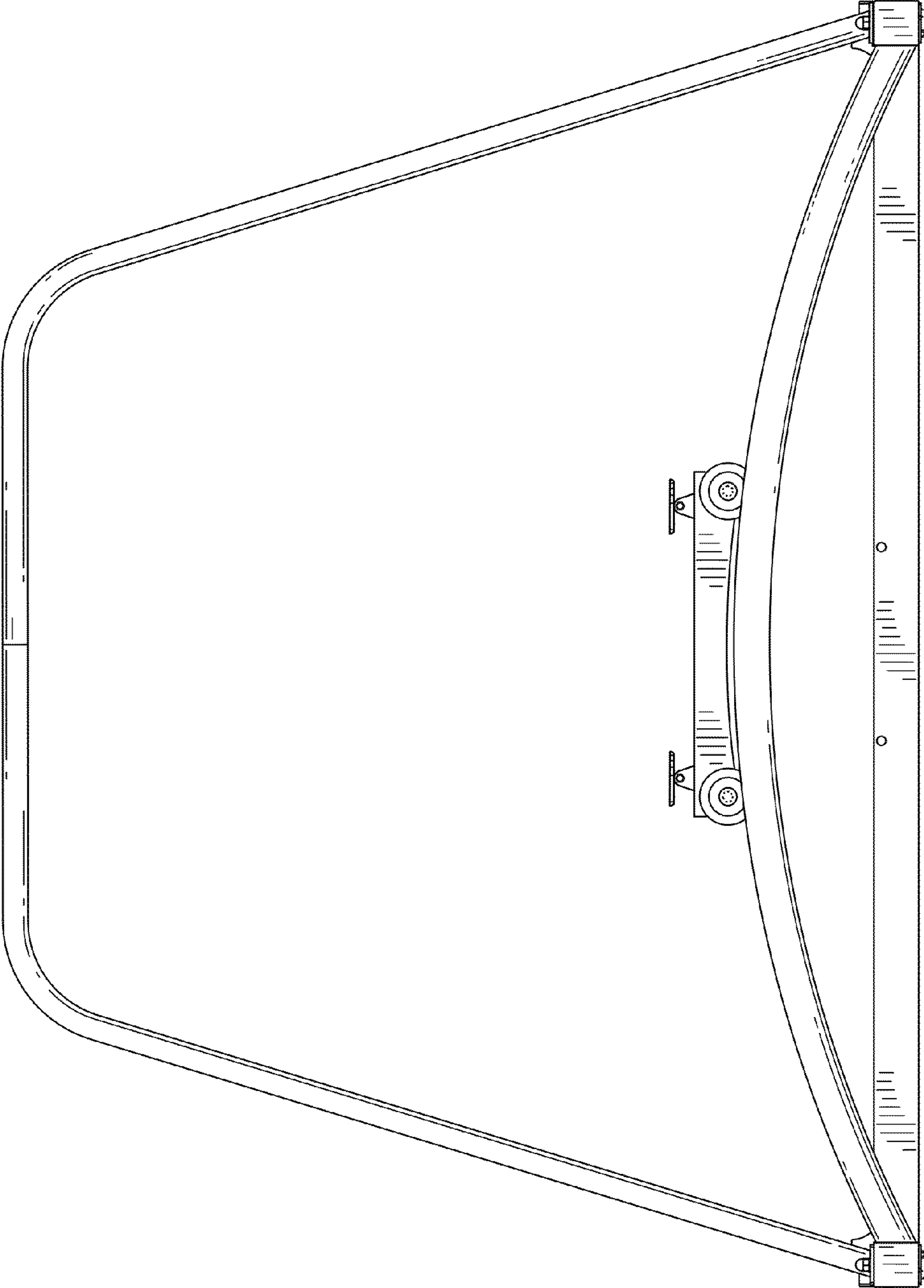


FIG. 2

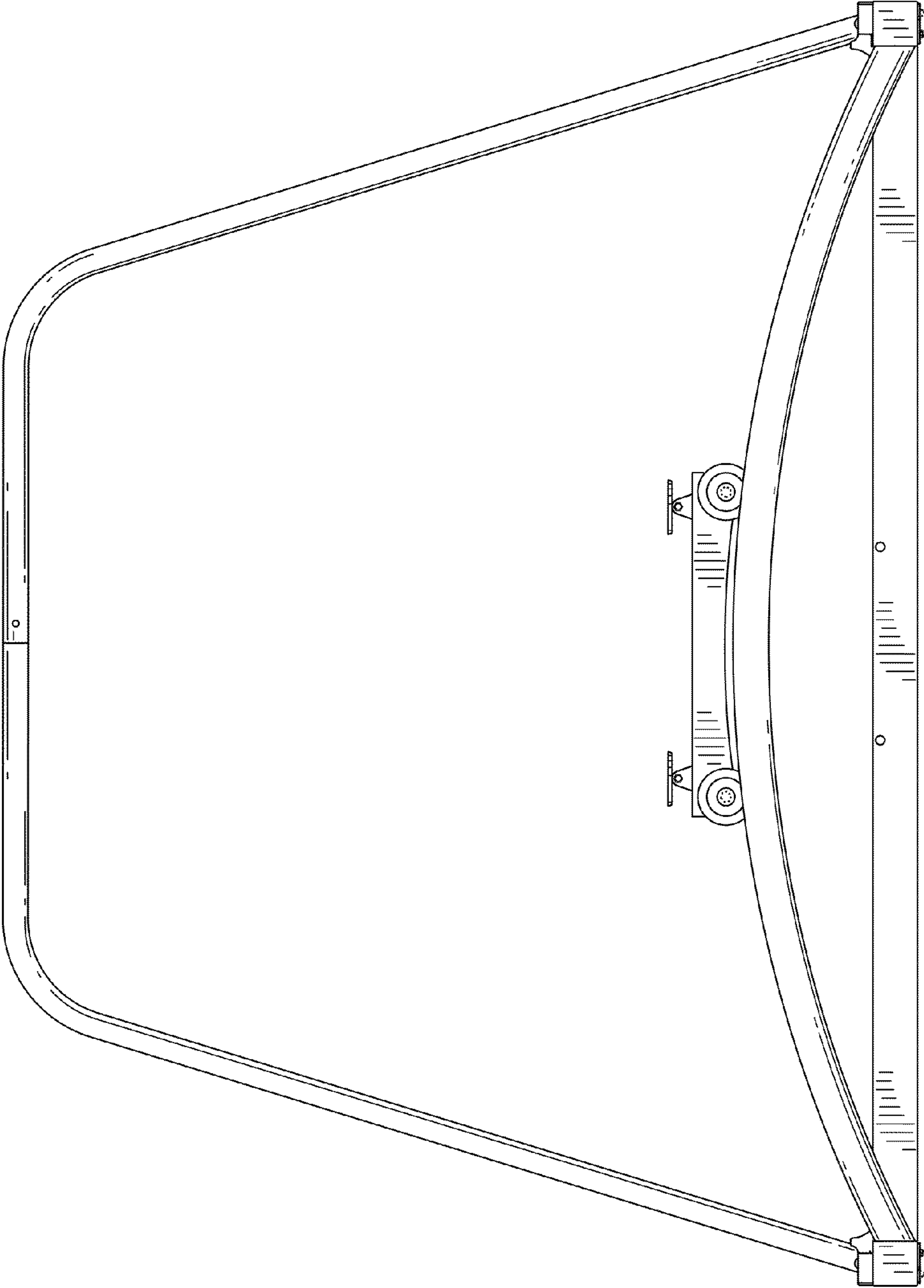


FIG. 3



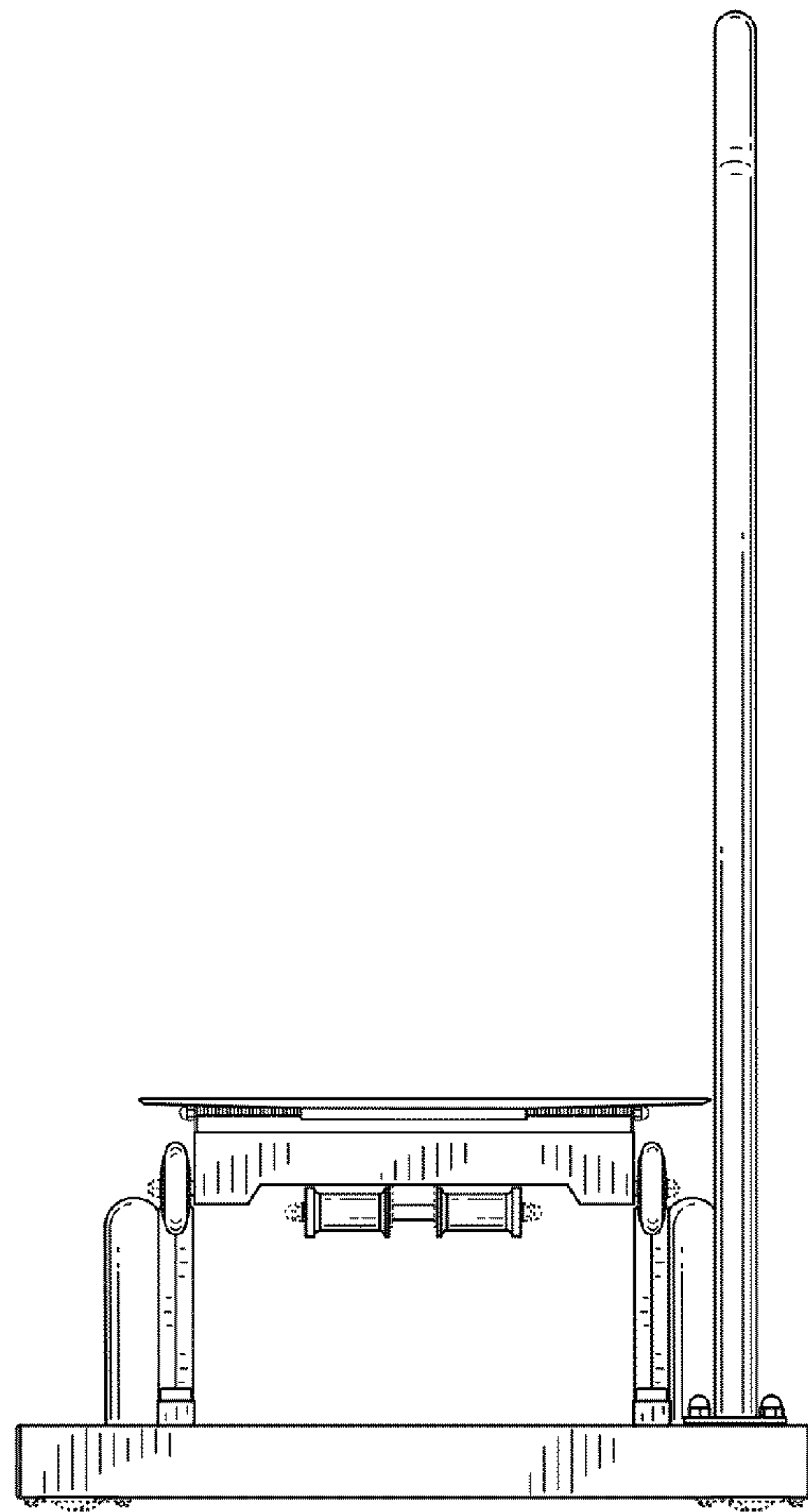


FIG. 4

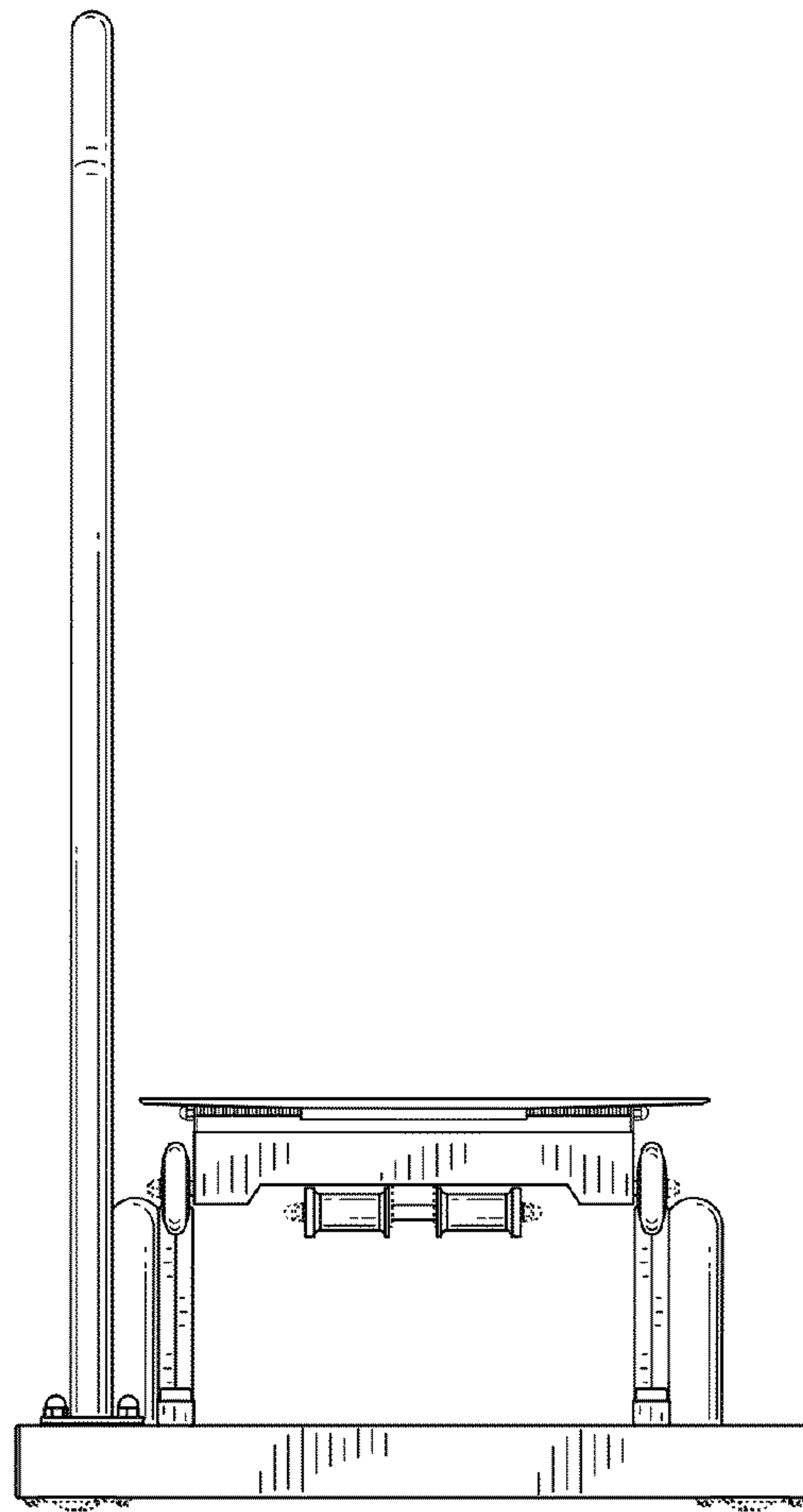


FIG. 5

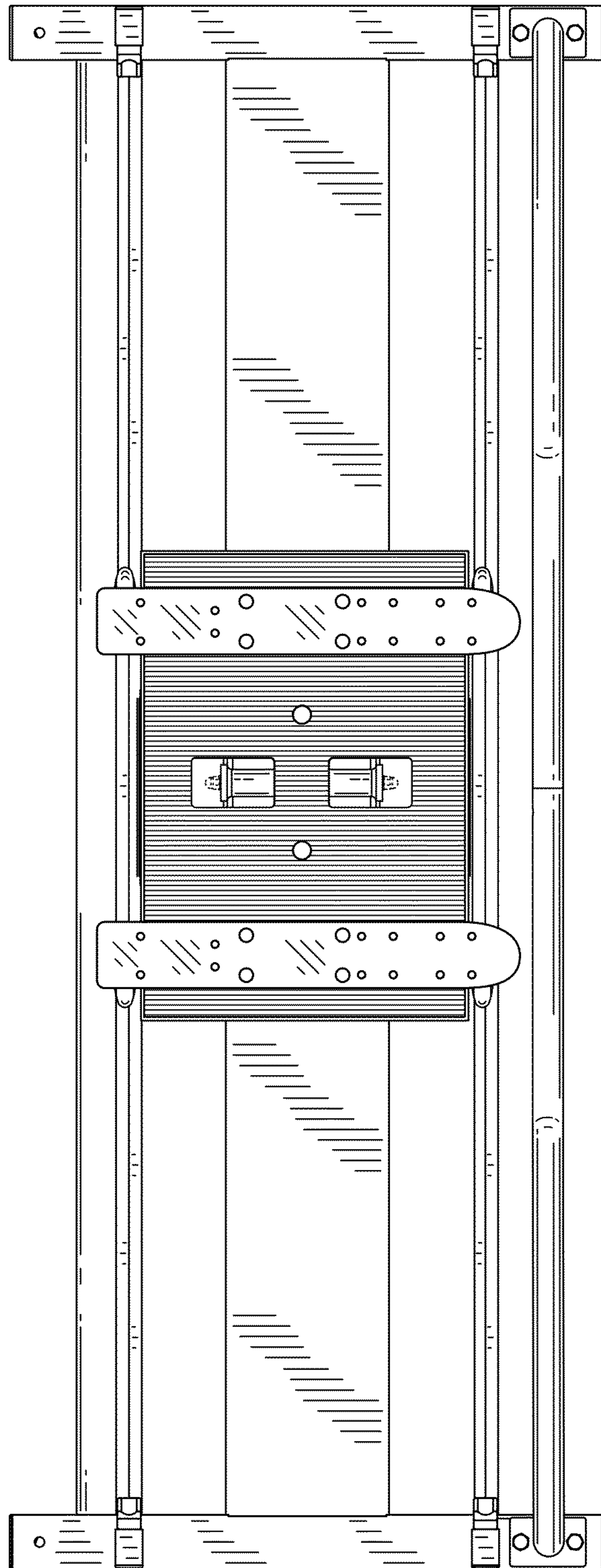


FIG. 6

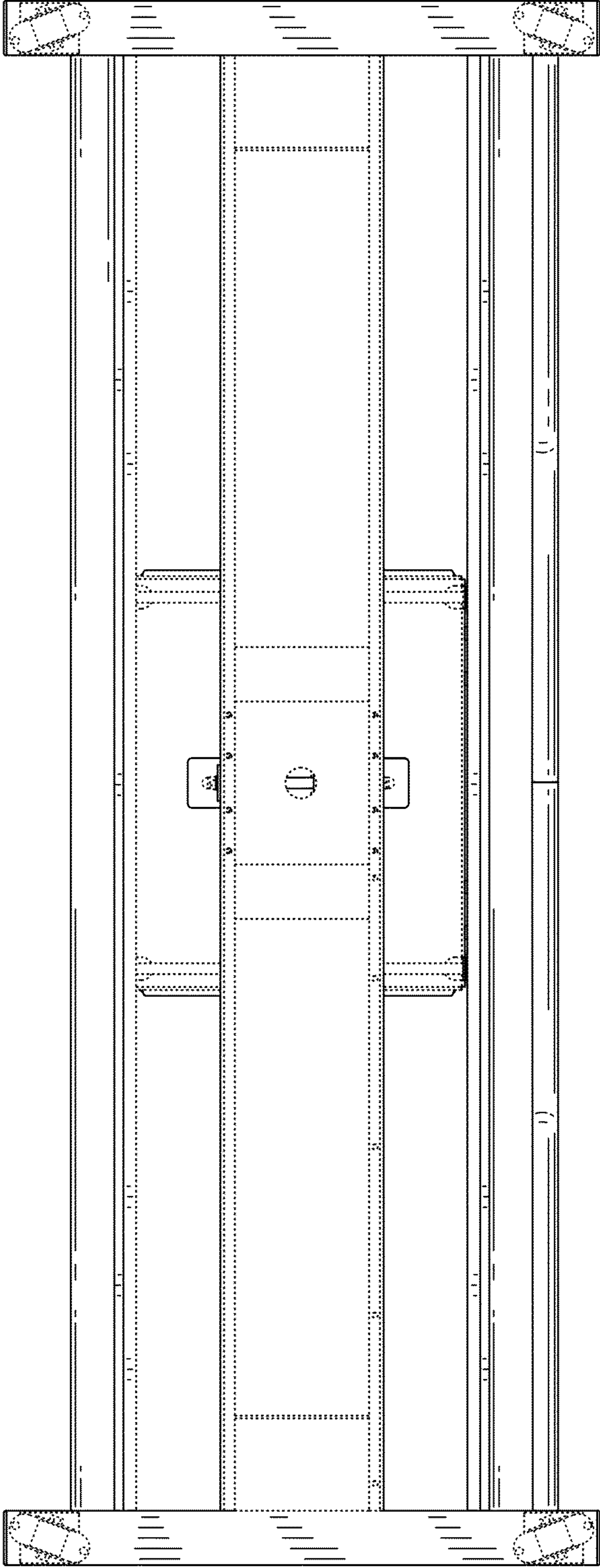


FIG. 7

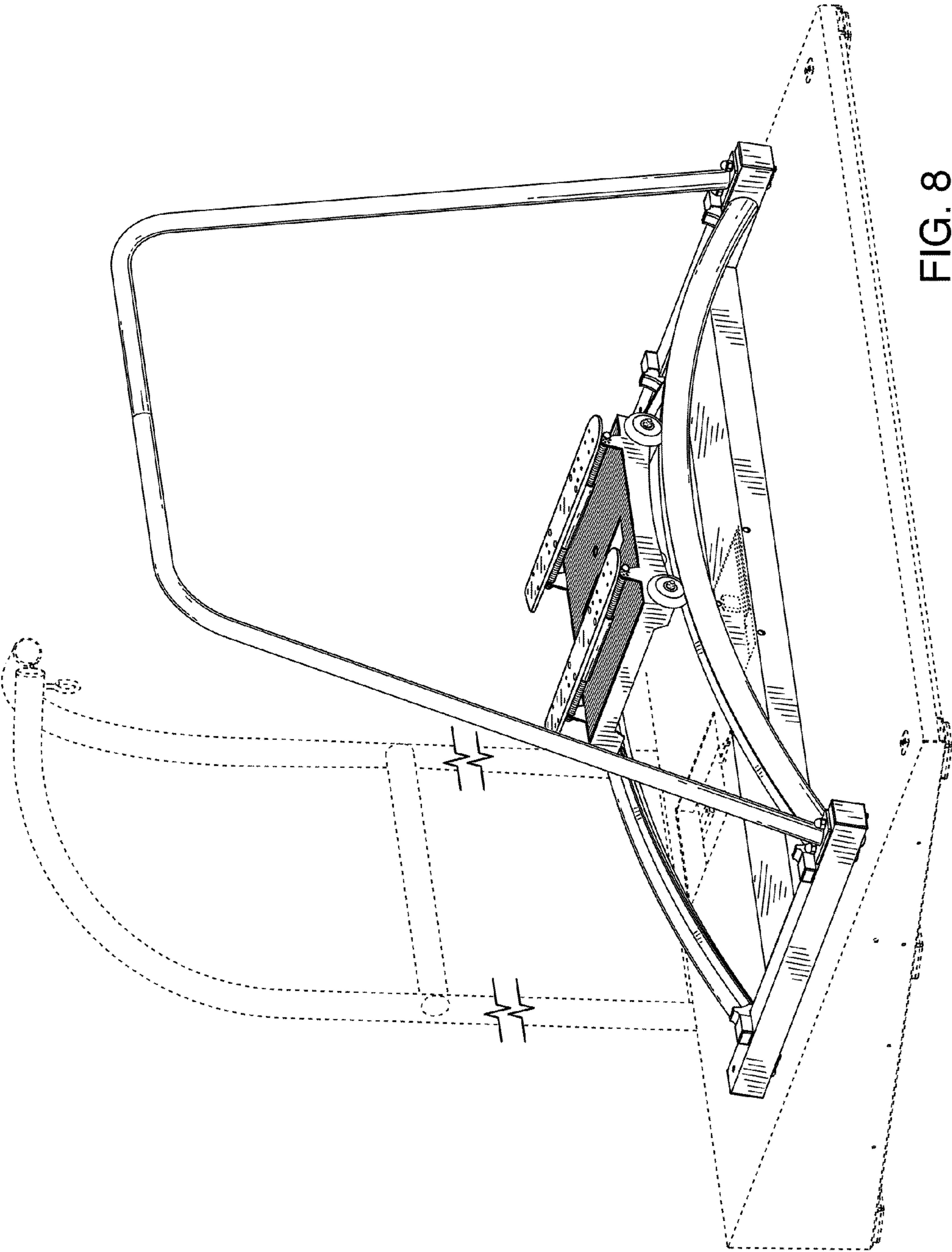


FIG. 8



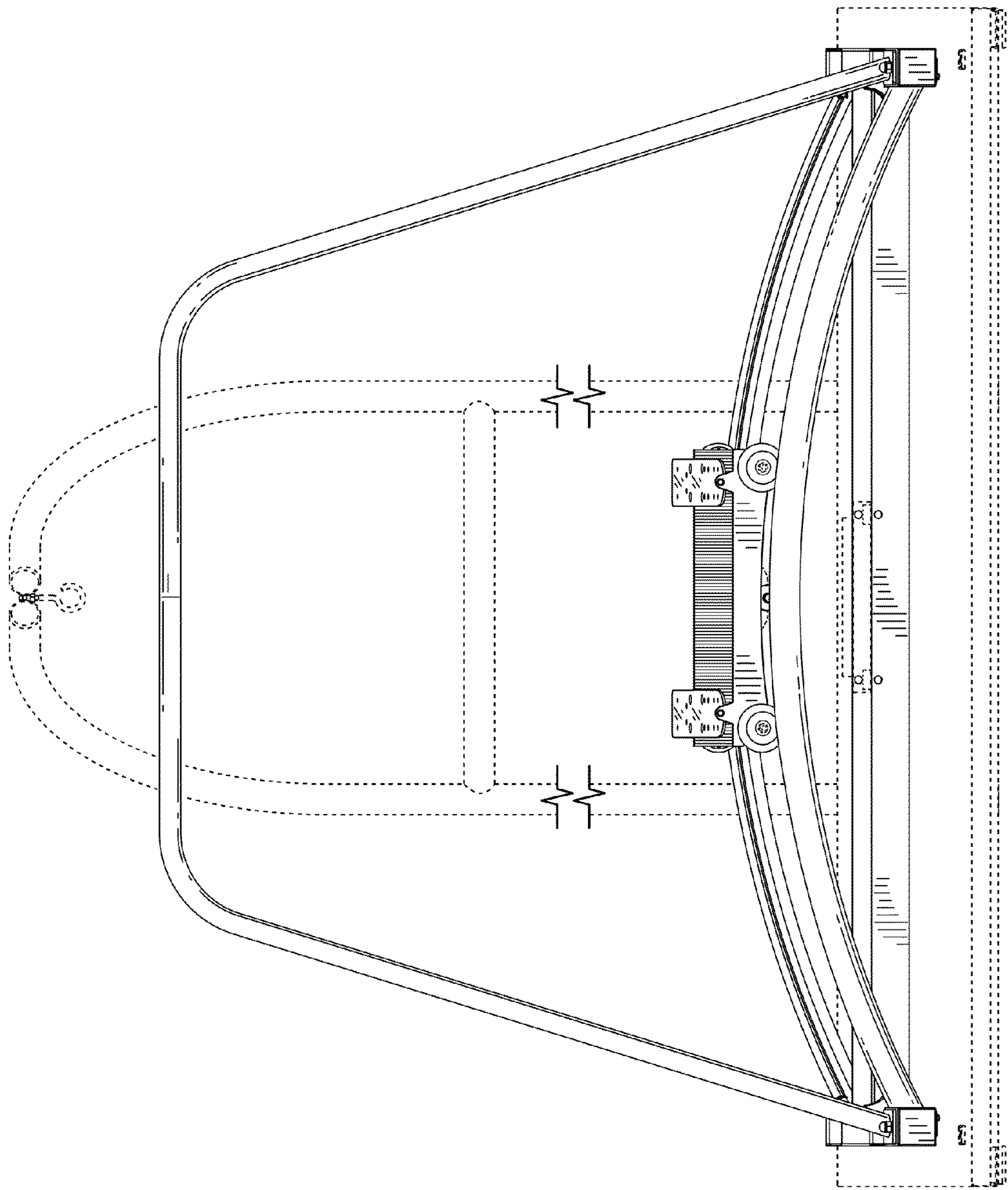


FIG. 9

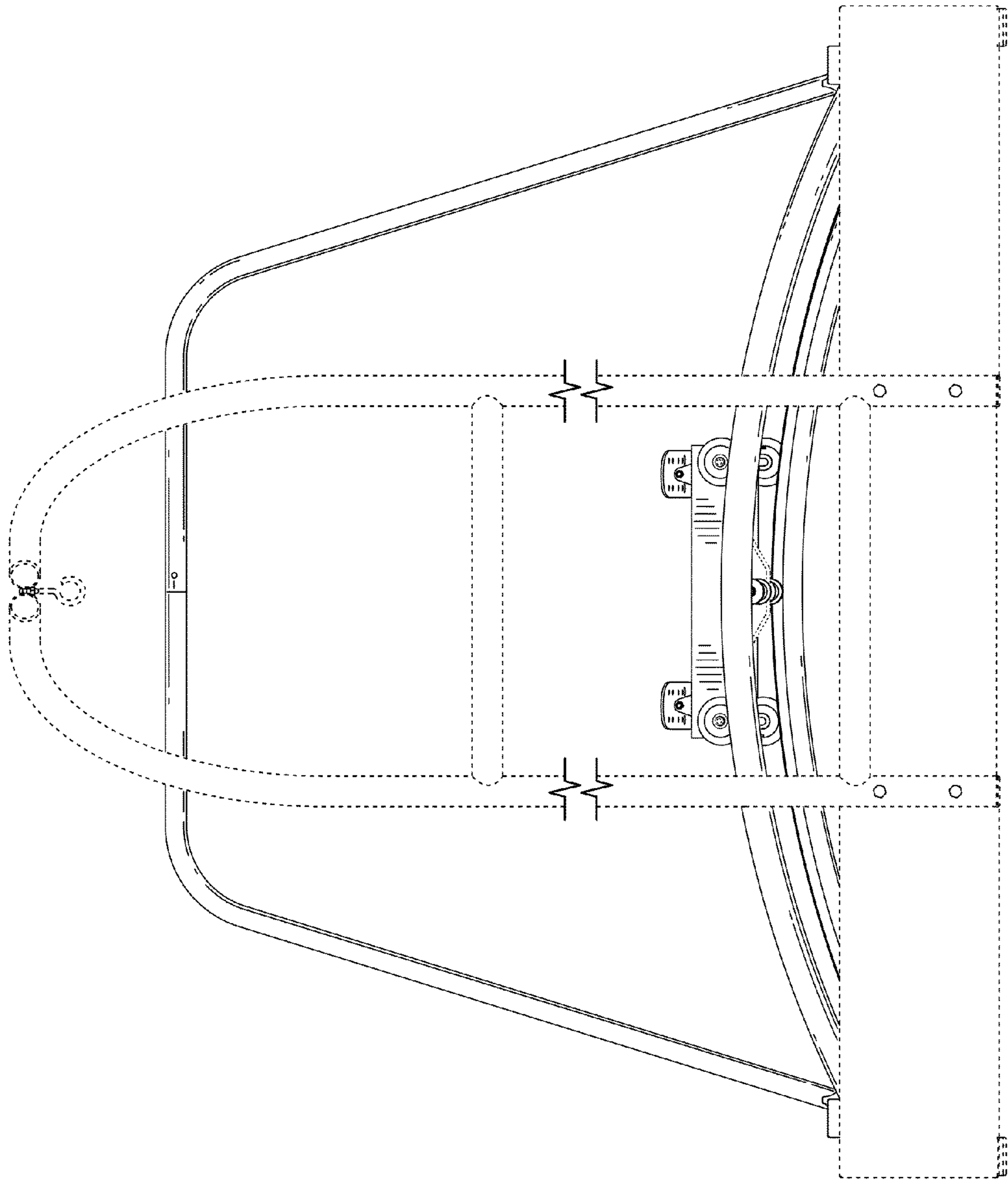


FIG. 10

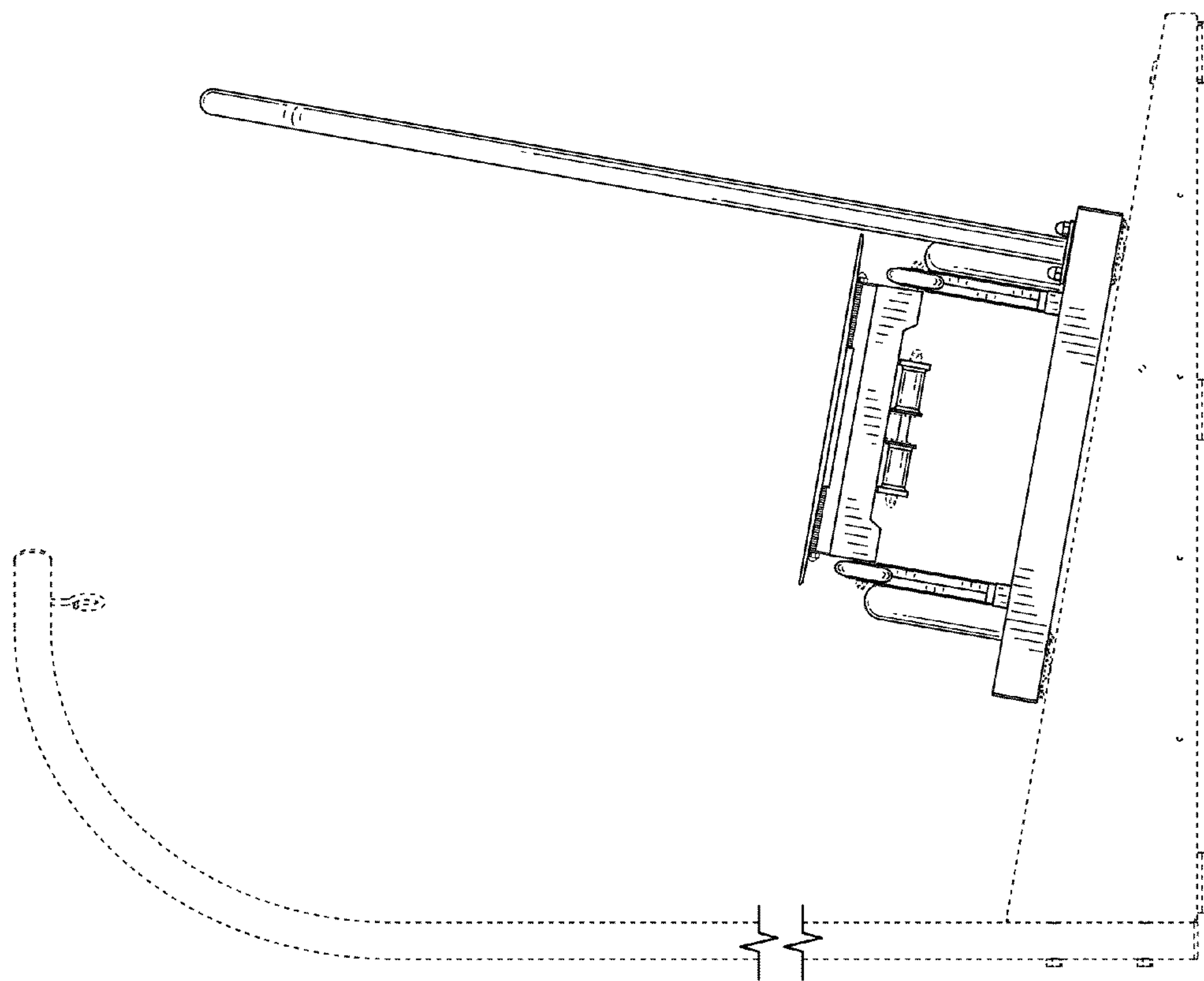


FIG. 11

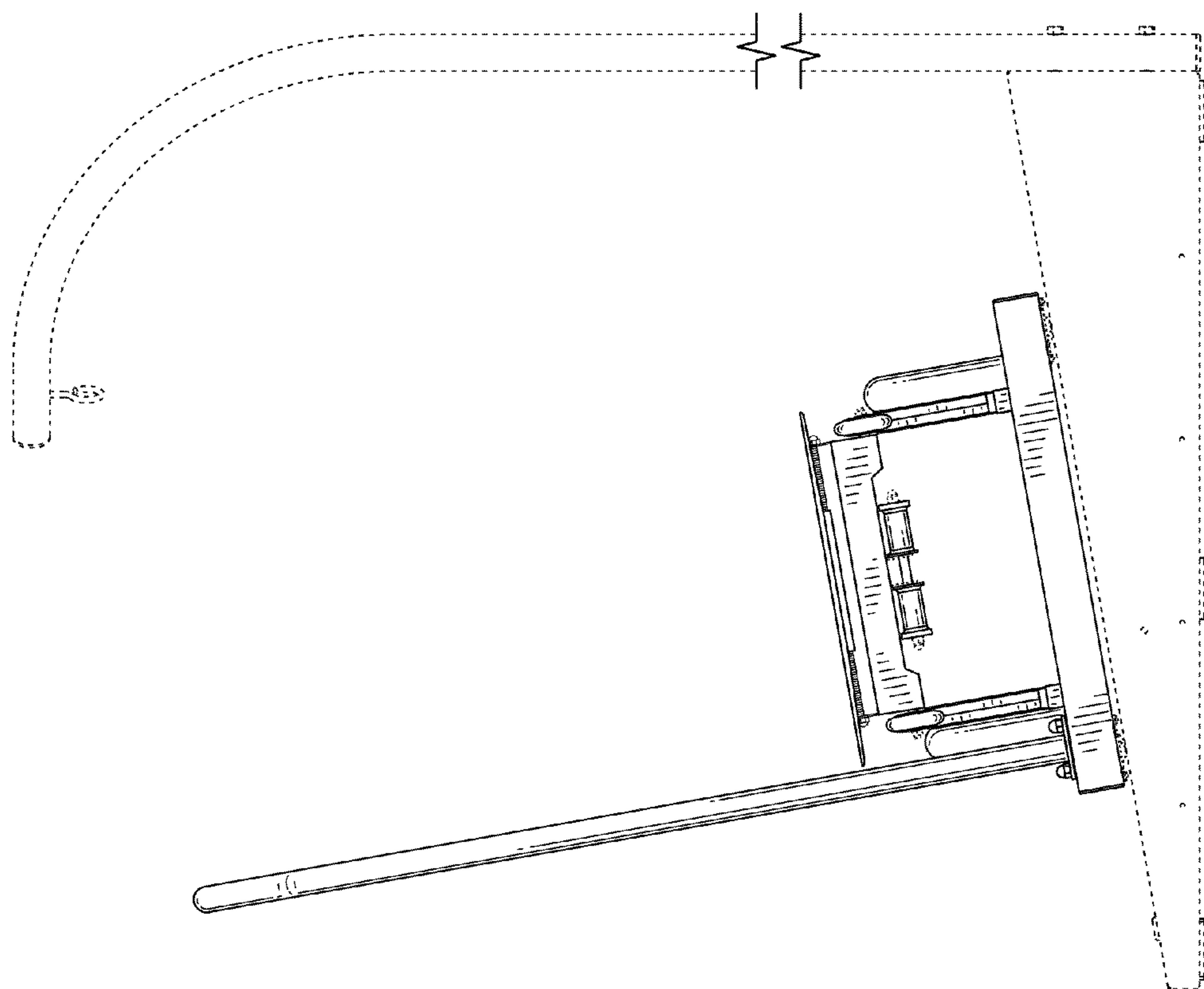


FIG. 12



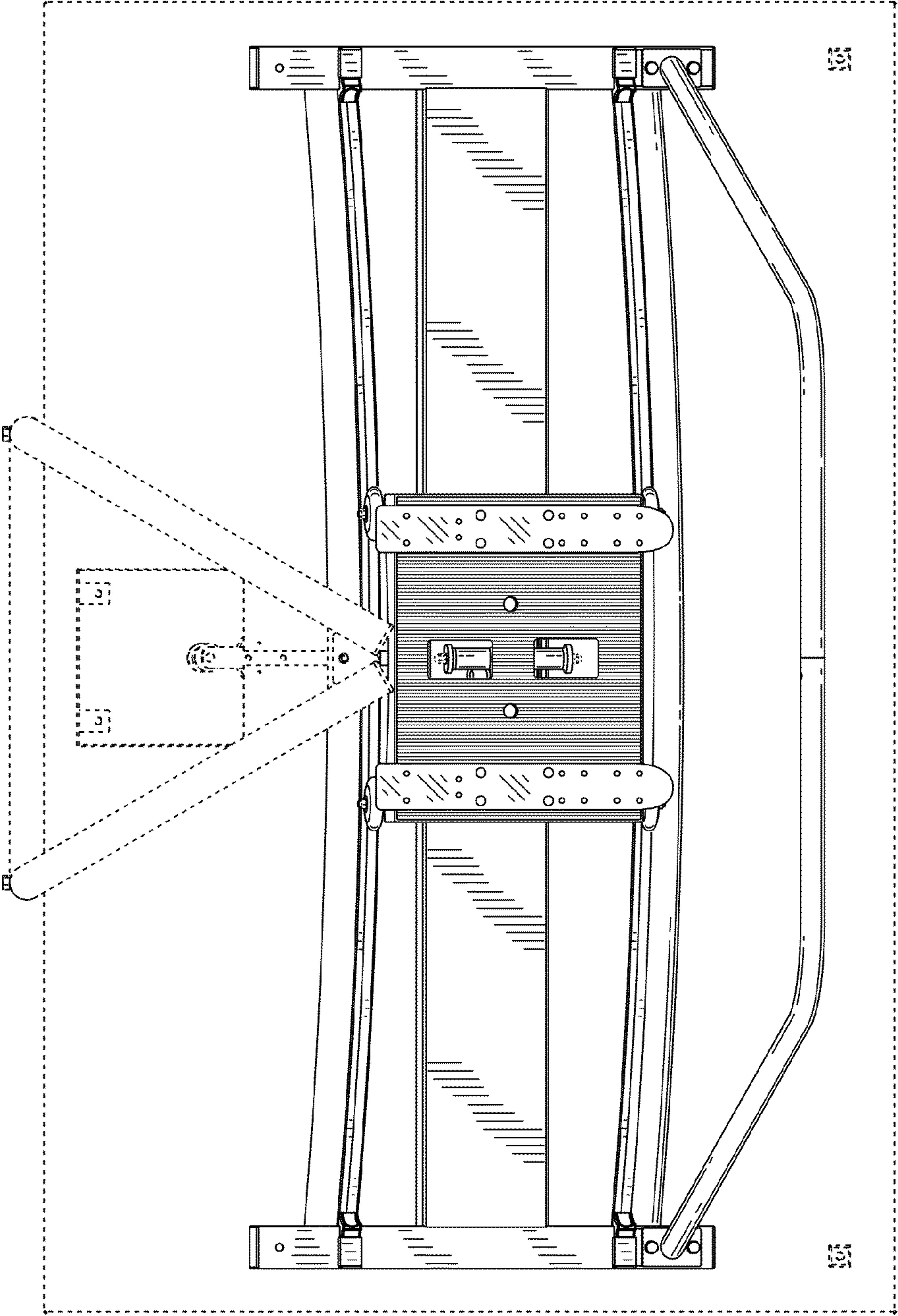


FIG. 13

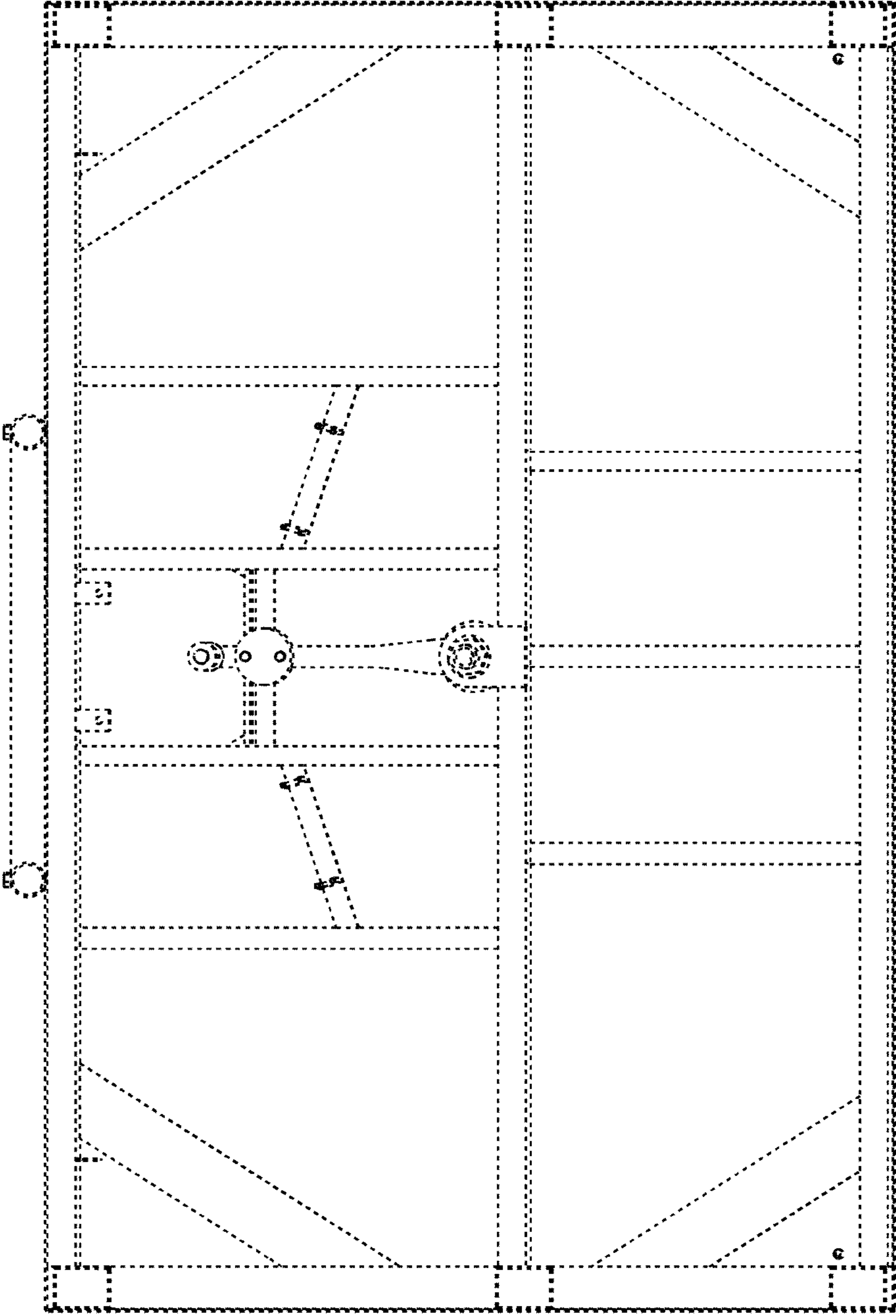


FIG. 14