



US00D732608S

(12) **United States Design Patent**
Backs et al.

(10) **Patent No.:** **US D732,608 S**
(45) **Date of Patent:** **** Jun. 23, 2015**

(54) **PRINTER**

(71) Applicant: **Samsung Electronics Co., Ltd.**,
Suwon-si, Gyeonggi-do (KR)

(72) Inventors: **Jochen Backs**, San Francisco, CA (US);
Kwang-Hyuck So, Seoul (KR);
Won-Suk Chung, Seoul (KR)

(73) Assignee: **SAMSUNG ELECTRONICS CO., LTD.** (KR)

(**) Term: **14 Years**

(21) Appl. No.: **29/484,754**

(22) Filed: **Mar. 12, 2014**

(30) **Foreign Application Priority Data**

Sep. 17, 2013 (KR) 30-2013-0048028

(51) **LOC (10) Cl.** **14-02**

(52) **U.S. Cl.**
USPC **D18/50**

(58) **Field of Classification Search**
USPC D18/36-39, 14, 19, 50, 53, 54, 54.1, 55,
D18/59; D14/420-425, 462-470; 400/613,
400/613.1-613.4, 690.1-690.4, 691-694
See application file for complete search history.

(56) **References Cited**

U.S. PATENT DOCUMENTS

D226,647 S * 4/1973 Longato D18/59
D283,323 S * 4/1986 Cervero D18/59
D292,254 S * 10/1987 Matilo D6/675.3
D293,789 S * 1/1988 Tiffin D14/463

D313,798 S * 1/1991 Morozumi D14/466
D349,823 S * 8/1994 Gregg D14/469
D354,277 S * 1/1995 Kuzumoto et al. D14/434
D415,787 S * 10/1999 Clark et al. D18/36
D437,879 S * 2/2001 Weinandt D18/50
D461,841 S * 8/2002 Goss D18/59
6,833,988 B2 * 12/2004 Kamphuis et al. 361/679.41
D552,168 S * 10/2007 Egami et al. D18/50
D565,650 S * 4/2008 Tani D18/50
D591,303 S * 4/2009 Heggland et al. D14/434
D645,865 S * 9/2011 Diehl D14/432
2005/0269477 A1 * 12/2005 Chen et al. 248/346.03

* cited by examiner

Primary Examiner — Cathy A MacCormac

(74) *Attorney, Agent, or Firm* — Cantor Colburn LLP

(57) **CLAIM**

The ornamental design for a printer, as shown and described.

DESCRIPTION

FIG. 1 is a front perspective view of a printer showing our new design;

FIG. 2 is a front view thereof;

FIG. 3 is a rear view thereof;

FIG. 4 is a left side view thereof;

FIG. 5 is a right side view thereof;

FIG. 6 is a top view thereof;

FIG. 7 is a bottom view thereof; and,

FIG. 8 is another right side view thereof, in which the printer is installed with an environmental desk.

The broken lines illustrating portions of the printer are for environmental purposes only and form no part of the claimed design. The dot-dash broken lines represent unclaimed boundary lines and form no part of the claimed design.

1 Claim, 5 Drawing Sheets

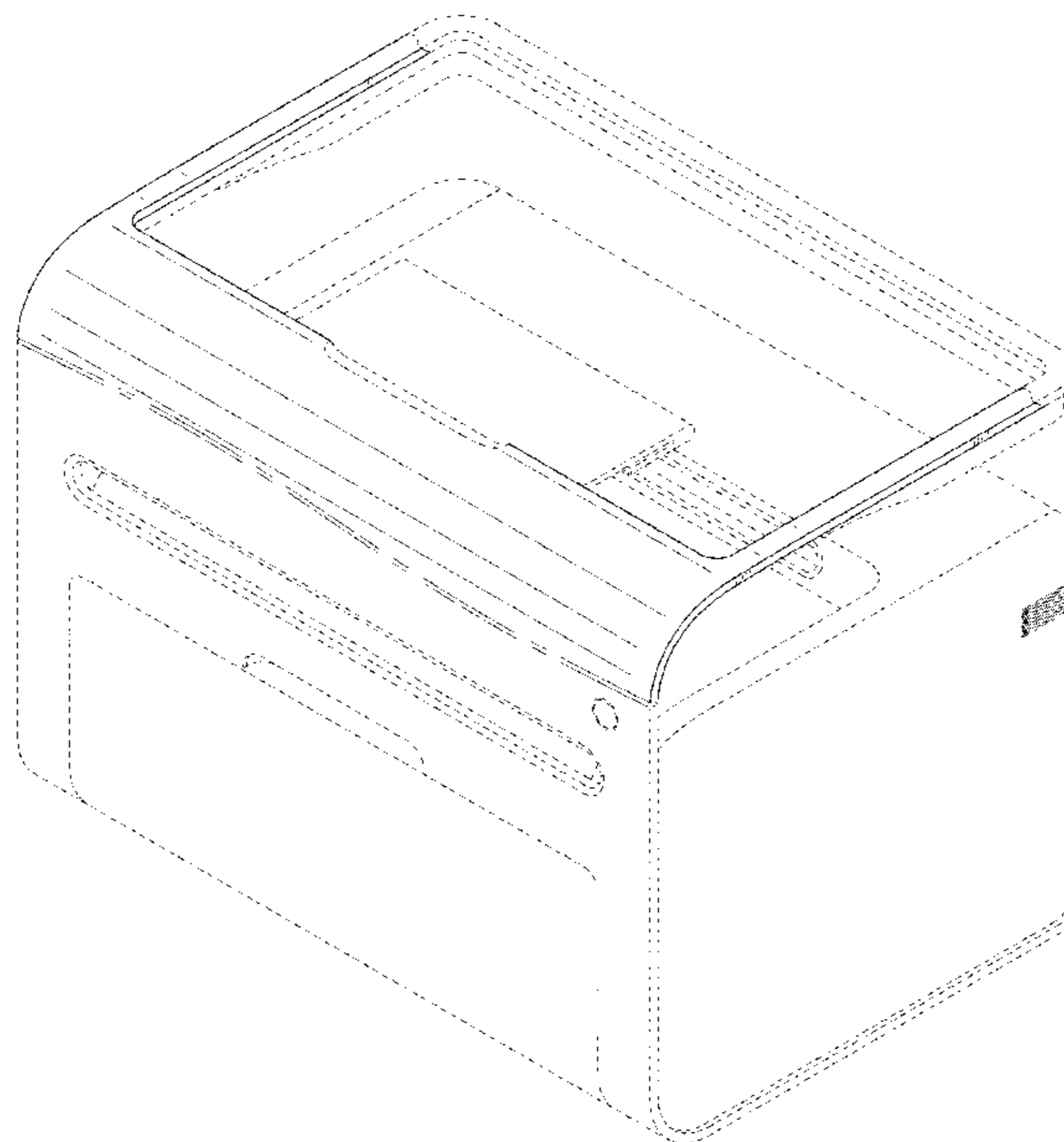


FIG.1

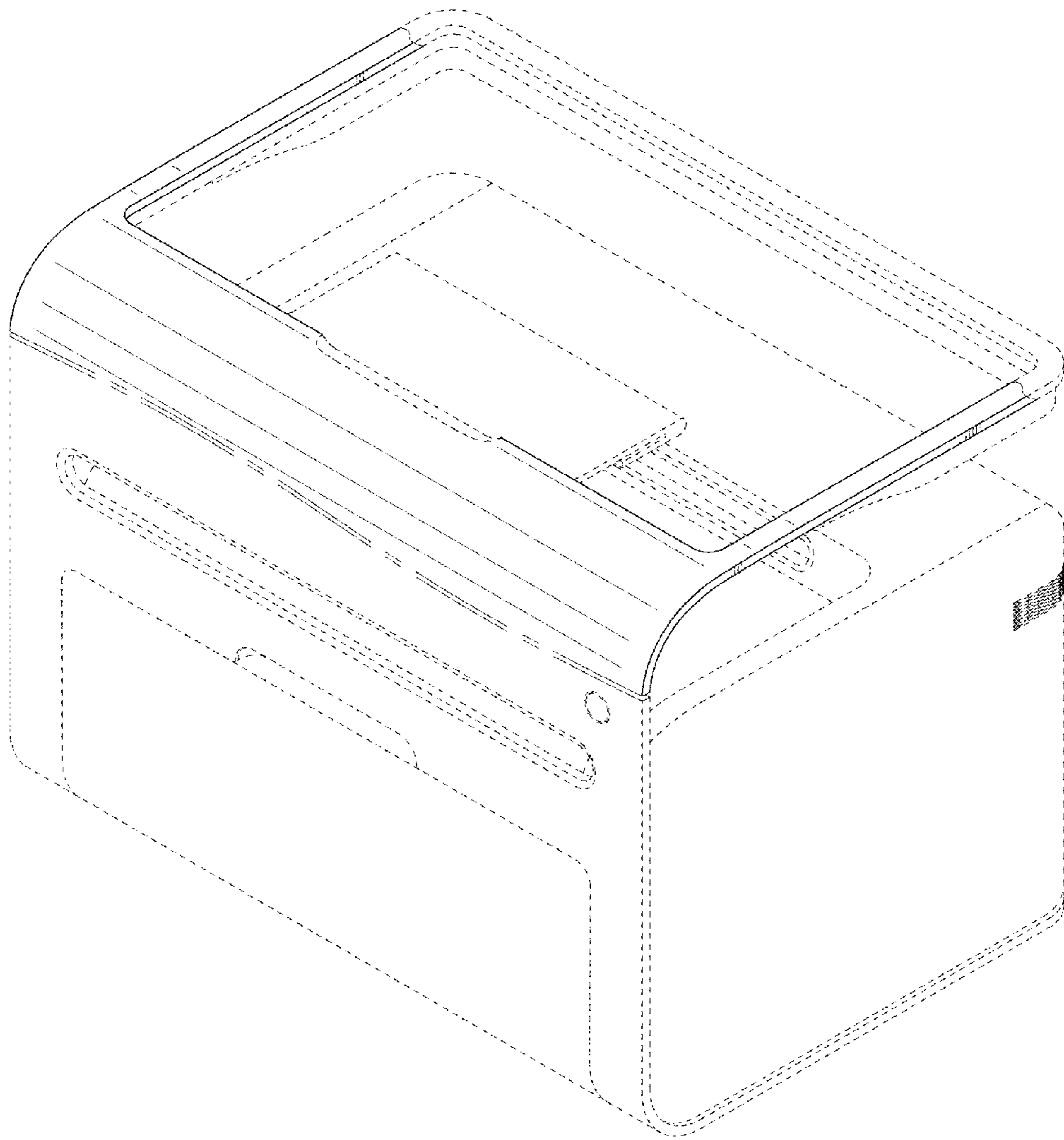


FIG.2

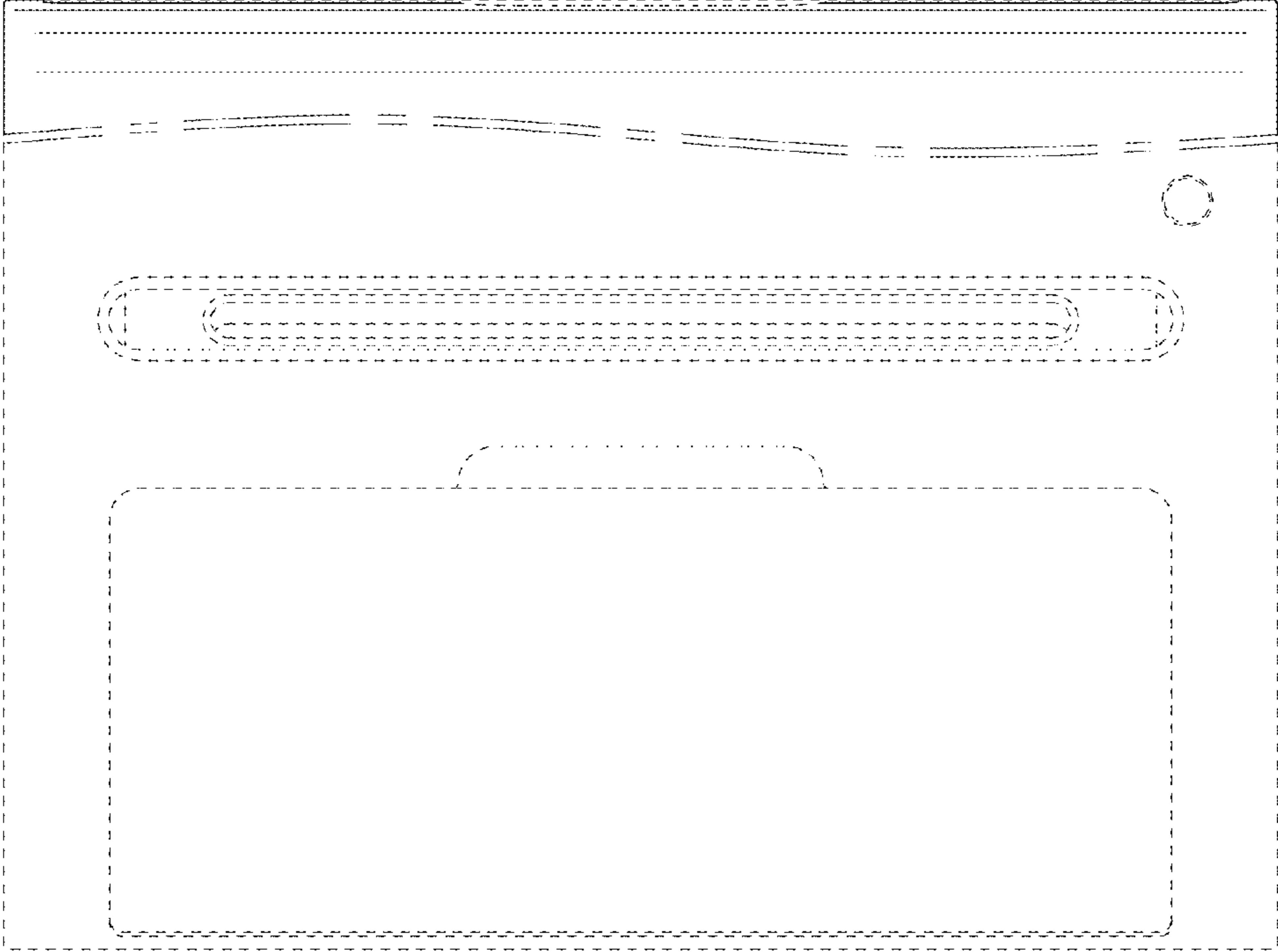


FIG.3



FIG.4

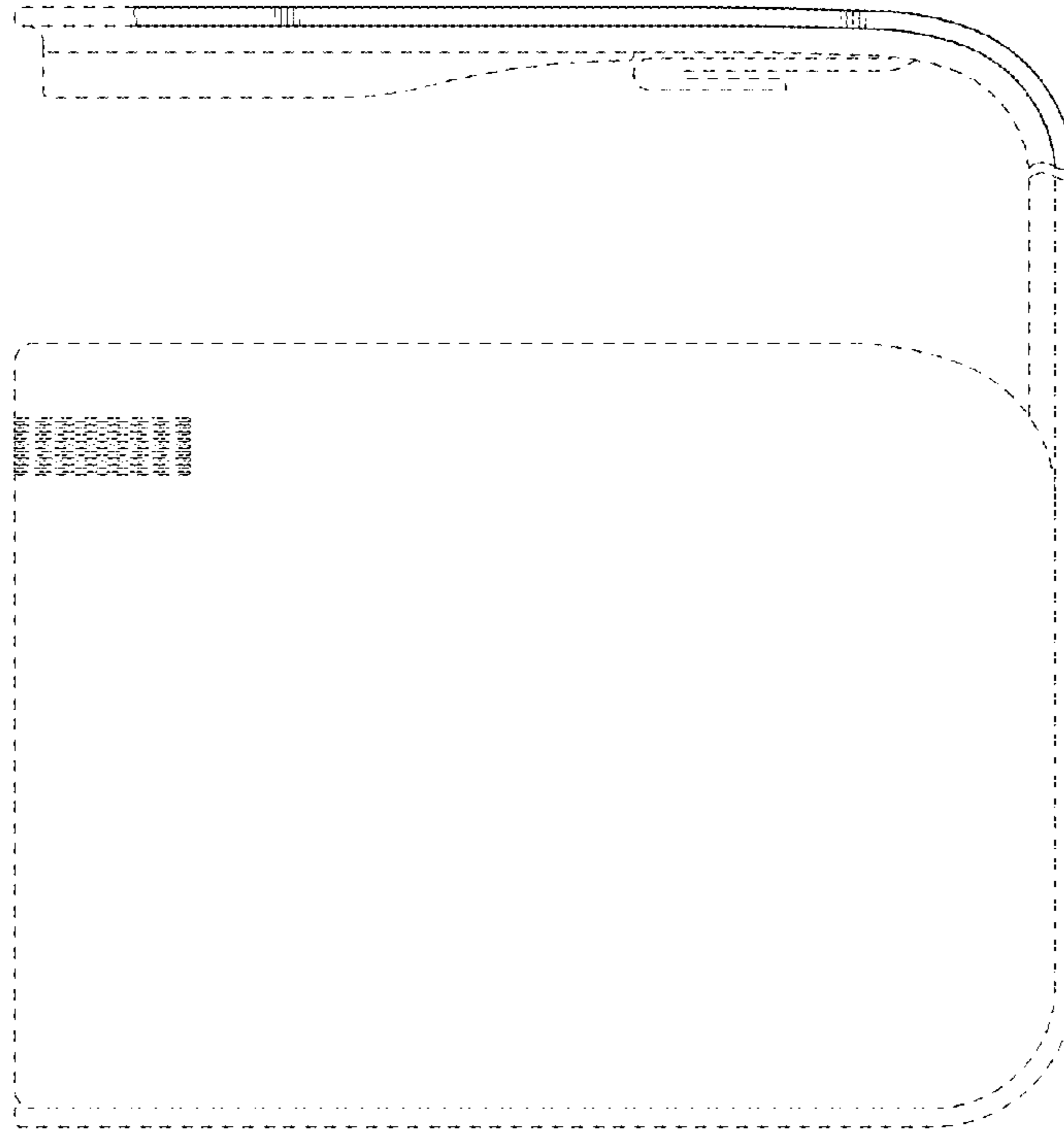


FIG.5

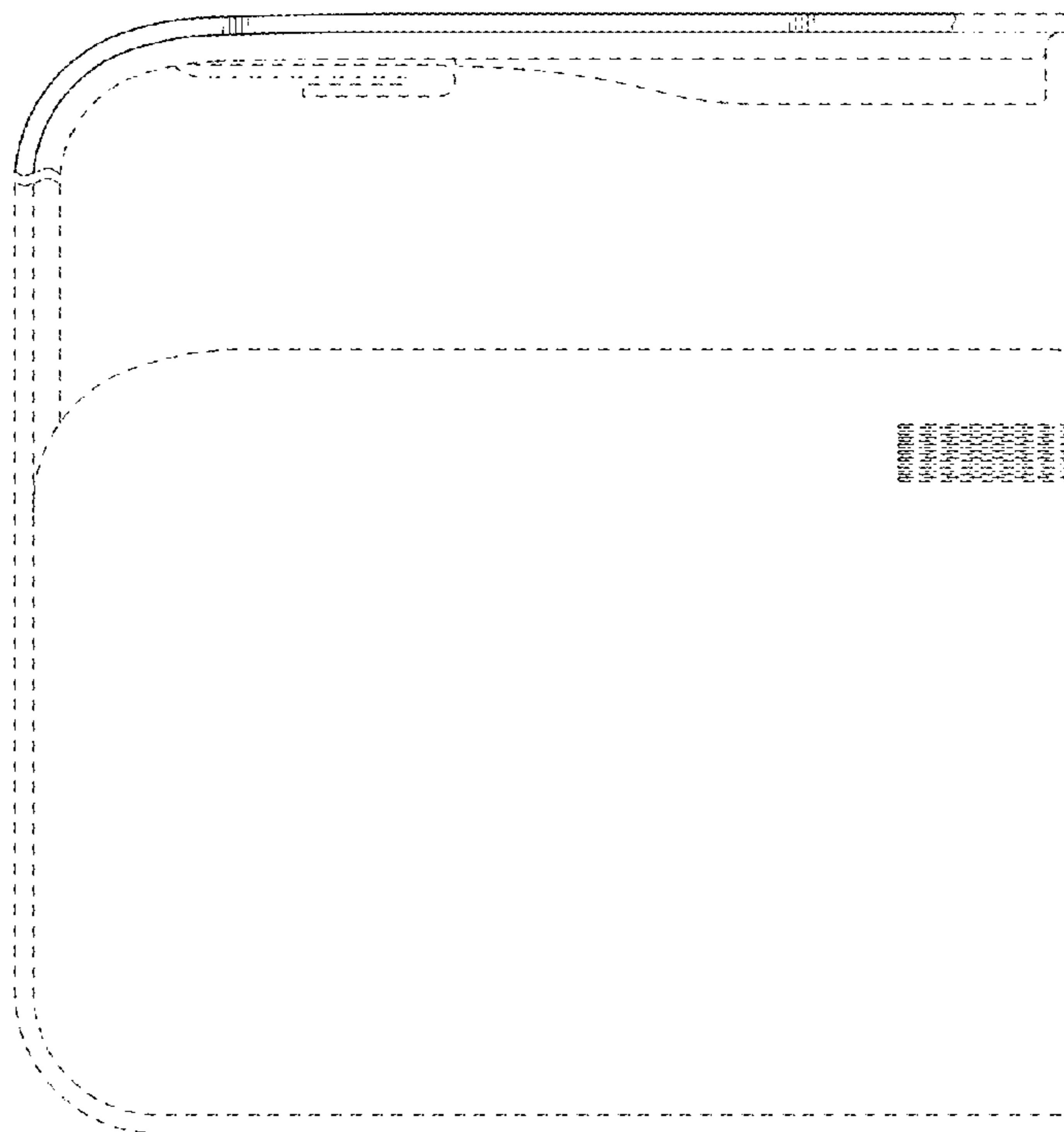


FIG.6

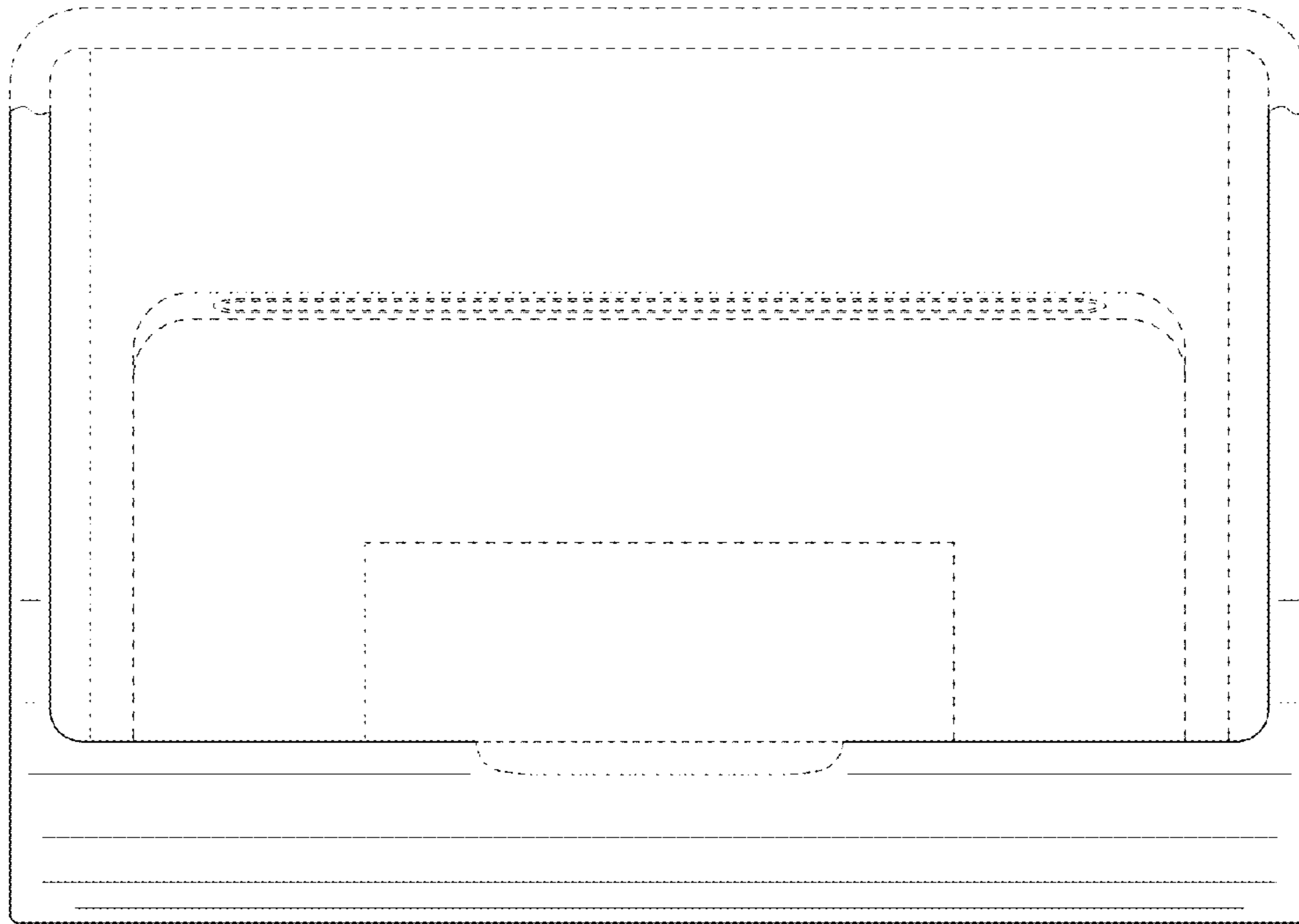


FIG.7



FIG.8

