



US00D732607S

(12) **United States Design Patent**
Backs et al.

(10) **Patent No.:** **US D732,607 S**
(45) **Date of Patent:** **** Jun. 23, 2015**

(54) **PRINTER**

(71) Applicant: **Samsung Electronics Co., Ltd.**,
Suwon-si, Gyeonggi-do (KR)

(72) Inventors: **Jochen Backs**, San Francisco, CA (US);
Kwang-Hyuck So, Seoul (KR);
Won-Suk Chung, Seoul (KR)

(73) Assignee: **SAMSUNG ELECTRONICS CO., LTD.** (KR)

(**) Term: **14 Years**

(21) Appl. No.: **29/484,750**

(22) Filed: **Mar. 12, 2014**

(30) **Foreign Application Priority Data**

Sep. 17, 2013 (KR) 30-2013-0048027

(51) **LOC (10) Cl.** **14-02**

(52) **U.S. Cl.**
USPC **D18/50**

(58) **Field of Classification Search**
USPC D18/36-39, 14, 19, 50, 53, 54, 54.1, 55,
D18/59; D14/420-425, 462-470; 400/613,
400/613.1-613.4, 690.1-690.4, 691-694
See application file for complete search history.

(56) **References Cited**

U.S. PATENT DOCUMENTS

D226,647 S * 4/1973 Longato D18/59
D283,323 S * 4/1986 Cervero D18/59
D292,254 S * 10/1987 Matilo D6/675.3
D293,789 S * 1/1988 Tiffin D14/463
D313,798 S * 1/1991 Morozumi D14/466
D349,823 S * 8/1994 Gregg D14/469

D354,277 S * 1/1995 Kuzumoto et al. D14/434
D415,787 S * 10/1999 Clark et al. D18/36
D437,879 S * 2/2001 Weinandt D18/50
D461,841 S * 8/2002 Goss D18/59
6,833,988 B2 * 12/2004 Kamphuis et al. 361/679.41
D552,168 S * 10/2007 Egami et al. D18/50
D565,650 S * 4/2008 Tani D18/50
D591,303 S * 4/2009 Heggland et al. D14/434
D645,865 S * 9/2011 Diehl D14/432
2005/0269477 A1 * 12/2005 Chen et al. 248/346.03

* cited by examiner

Primary Examiner — Cathy A MacCormac

(74) *Attorney, Agent, or Firm* — Cantor Colburn LLP

(57) **CLAIM**

The ornamental design for a printer, as shown and described.

DESCRIPTION

FIG. 1 is a front perspective view of a printer showing our new design;
FIG. 2 is a front view thereof;
FIG. 3 is a rear view thereof;
FIG. 4 is a left side view thereof;
FIG. 5 is right side view thereof;
FIG. 6 is a top view thereof;
FIG. 7 is a bottom view thereof;
FIG. 8 is another right side view thereof, in which the printer is installed with an environmental desk;
FIG. 9 is another front perspective view thereof, showing the printer with an environmental removable tray; and,
FIG. 10 is another front perspective view thereof, showing the printer with a different environmental removable tray.
The broken lines illustrating portions of the printer are for environmental purposes only and form no part of the claimed design.

1 Claim, 7 Drawing Sheets

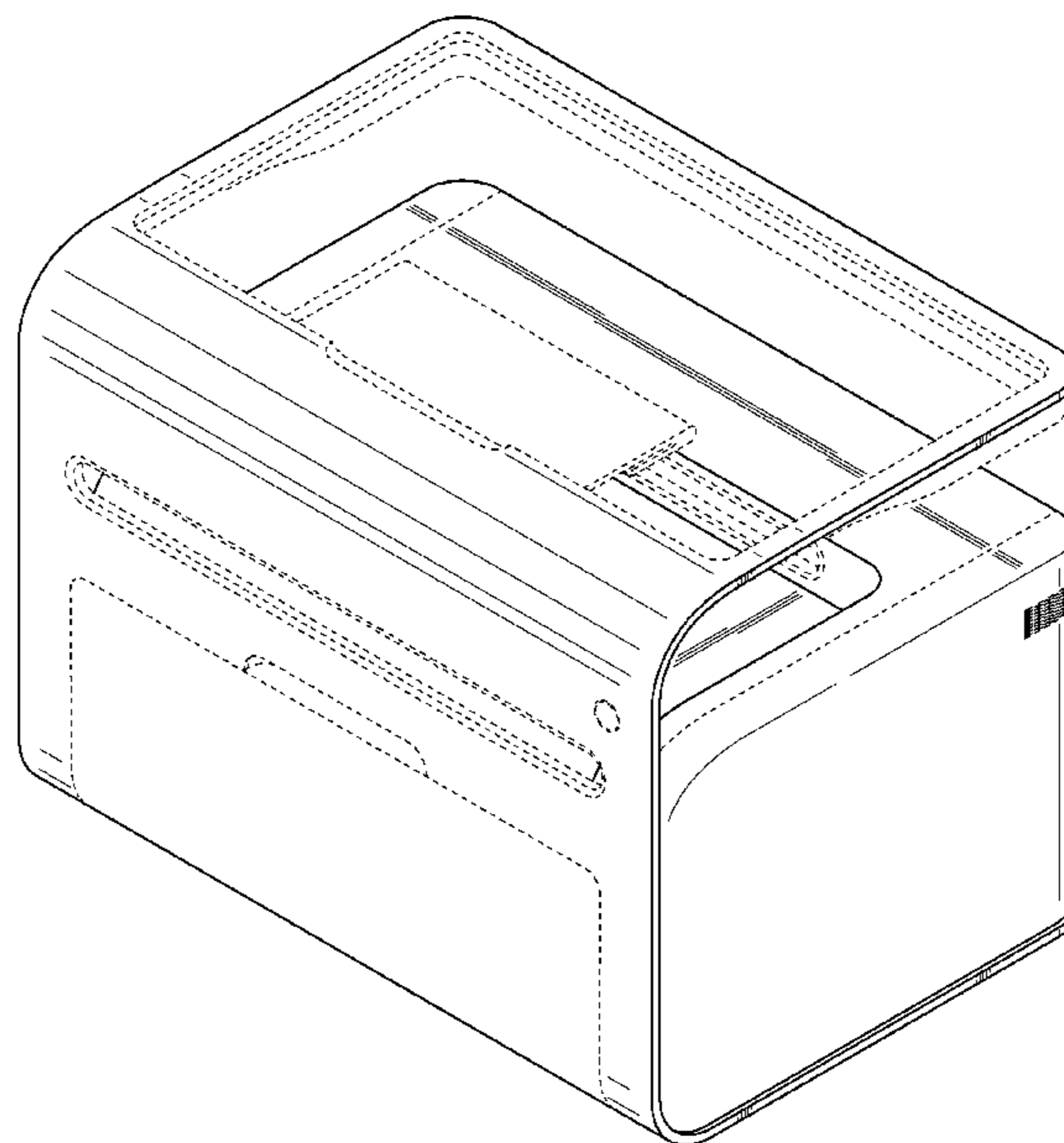


FIG.1

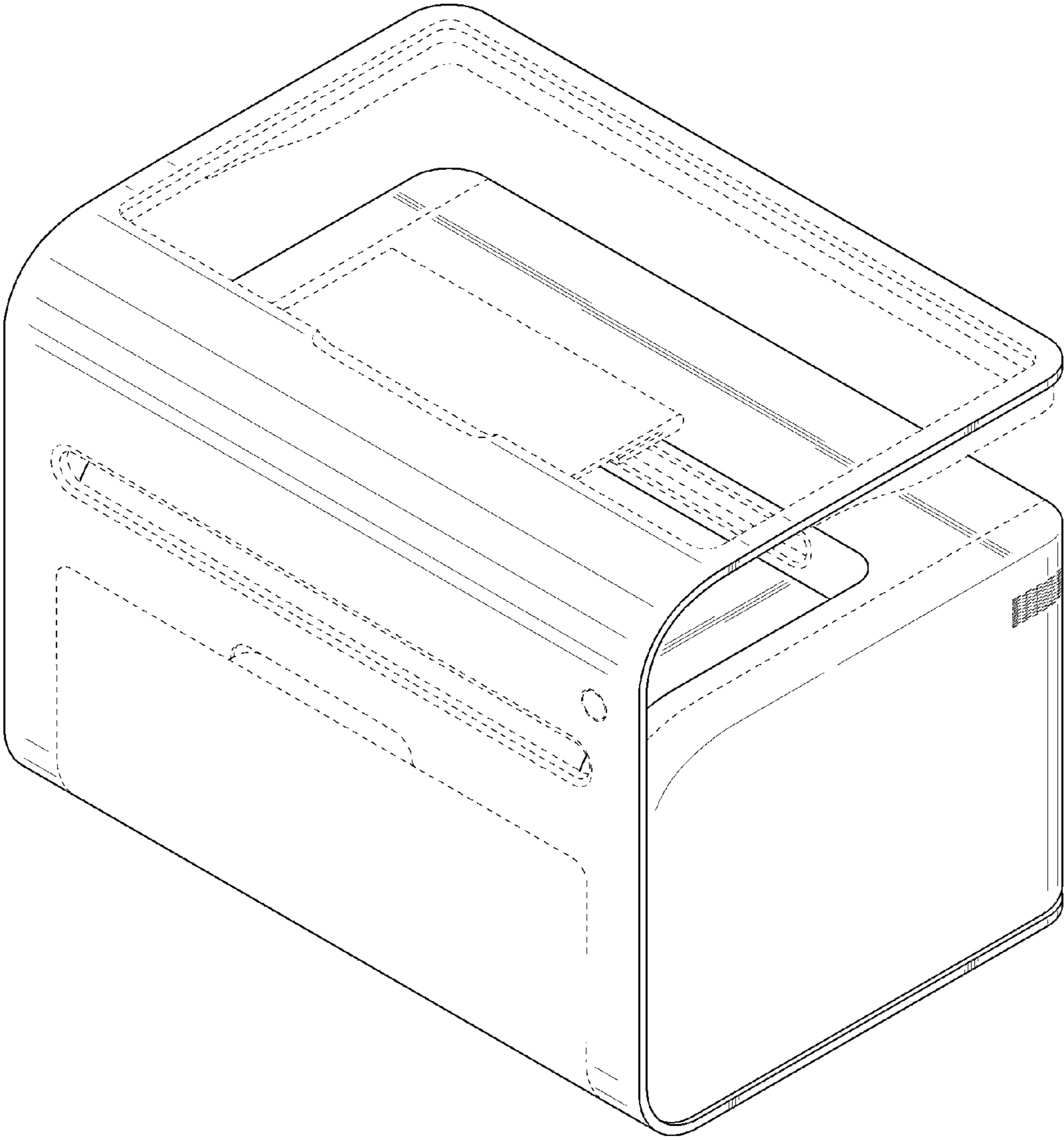


FIG.2

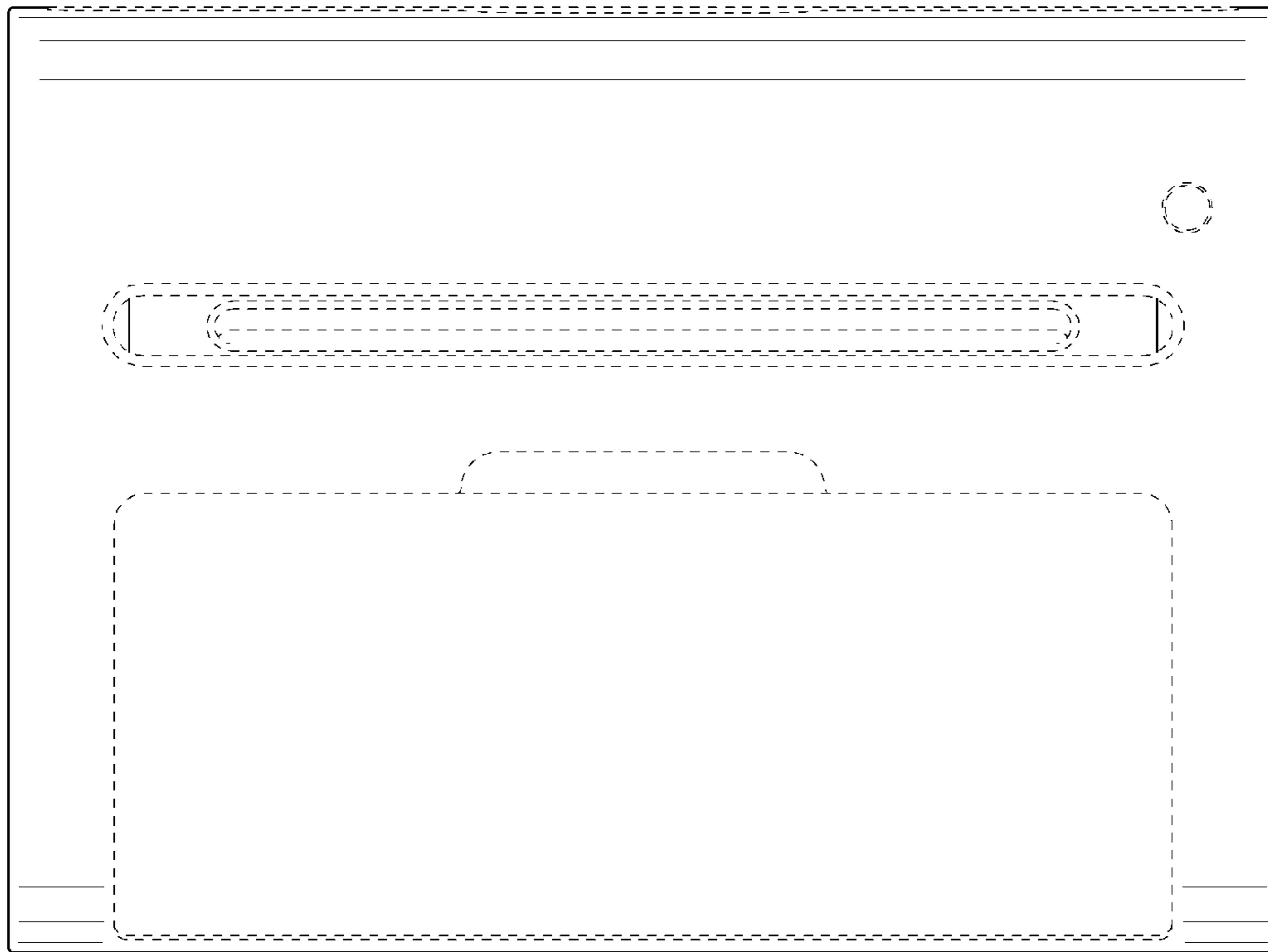


FIG.3

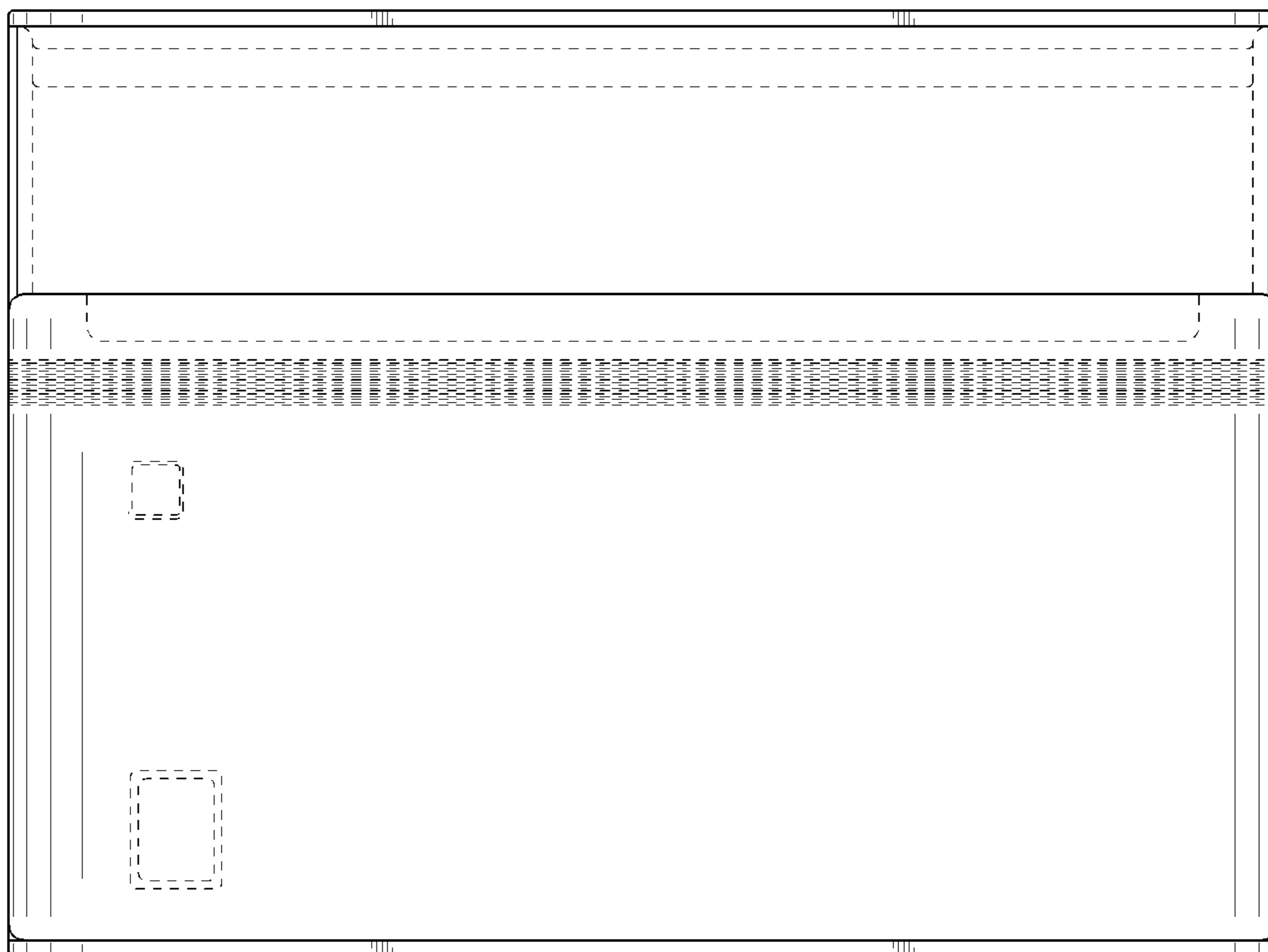


FIG.4

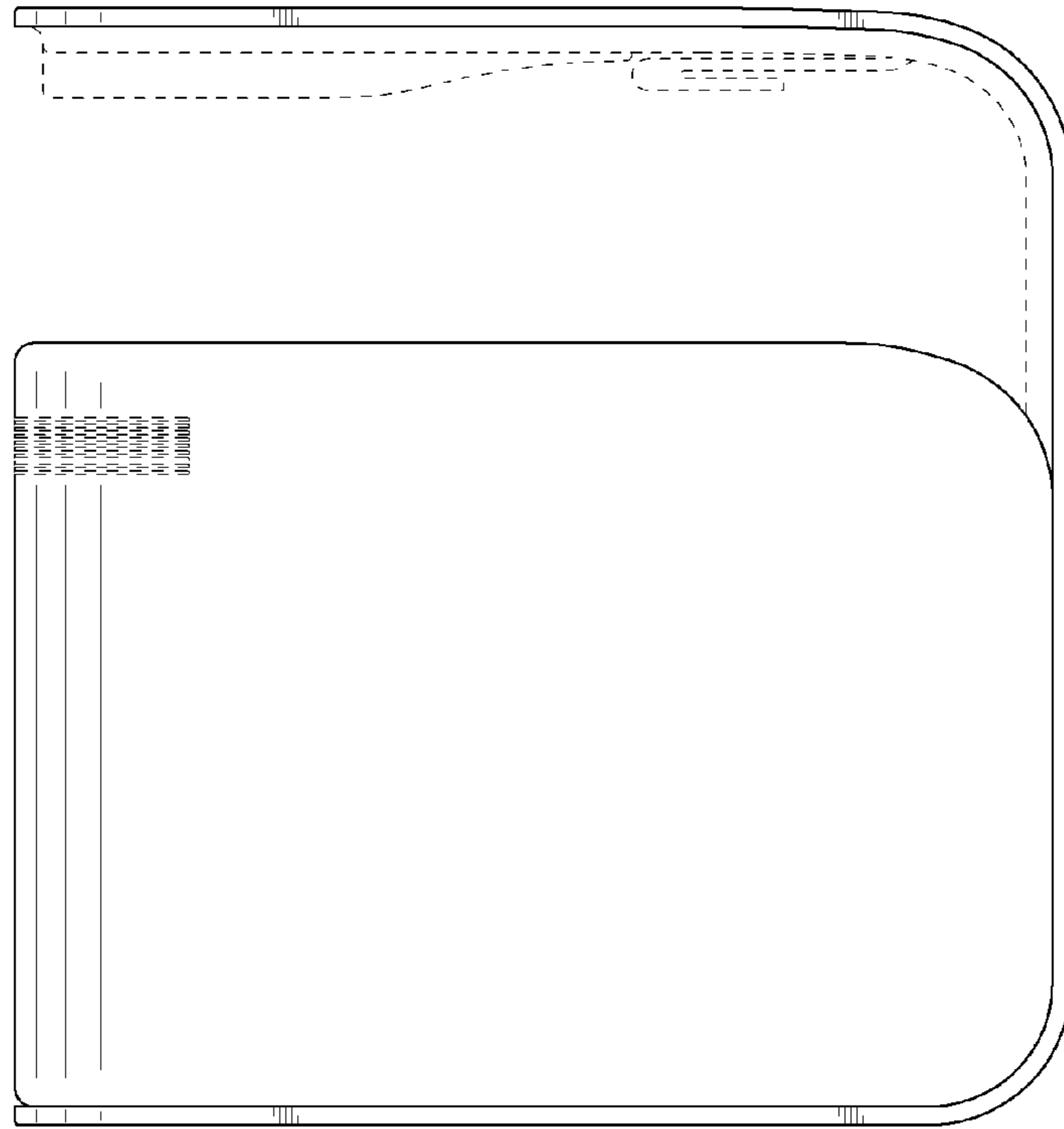


FIG.5

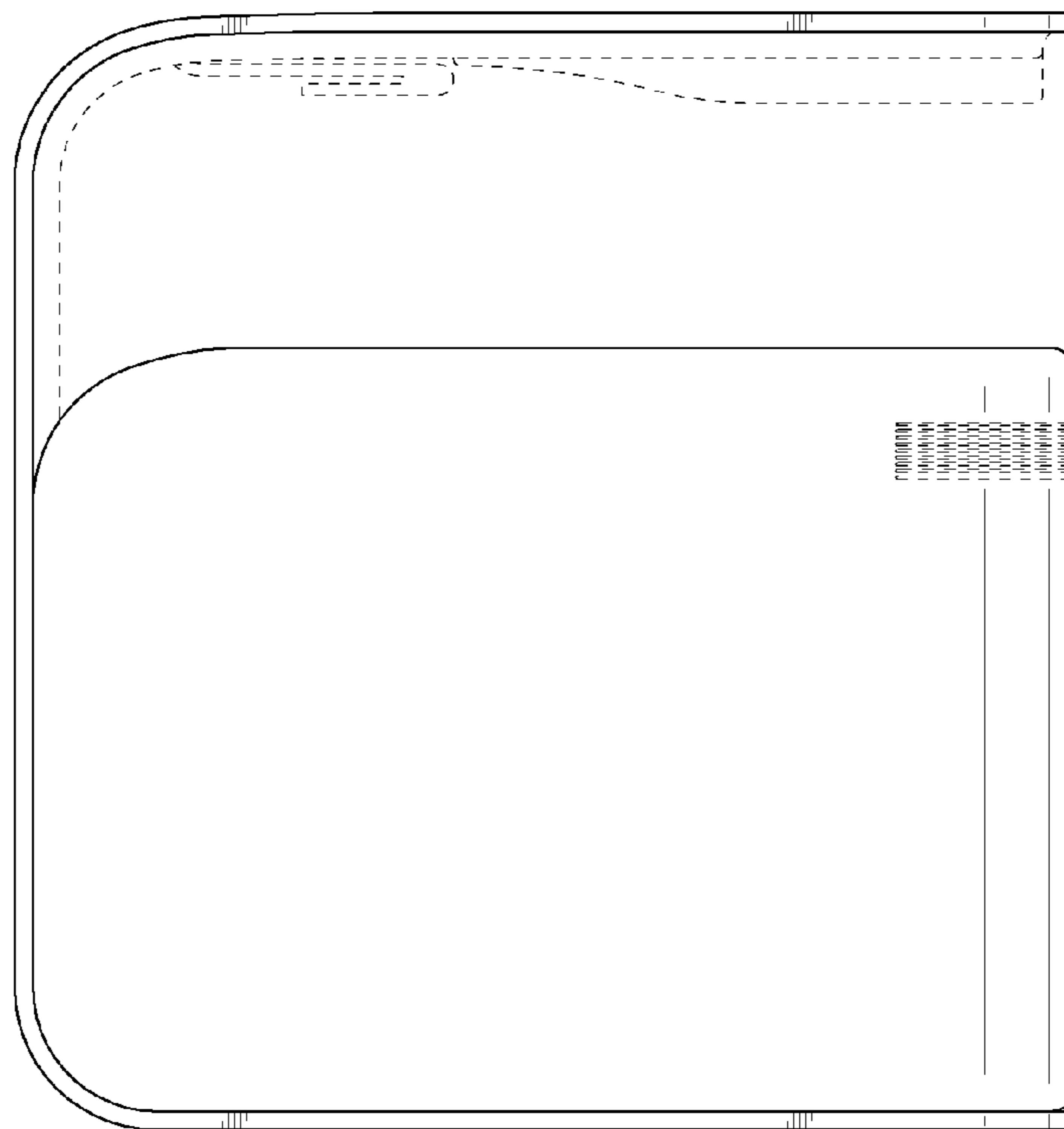


FIG.6

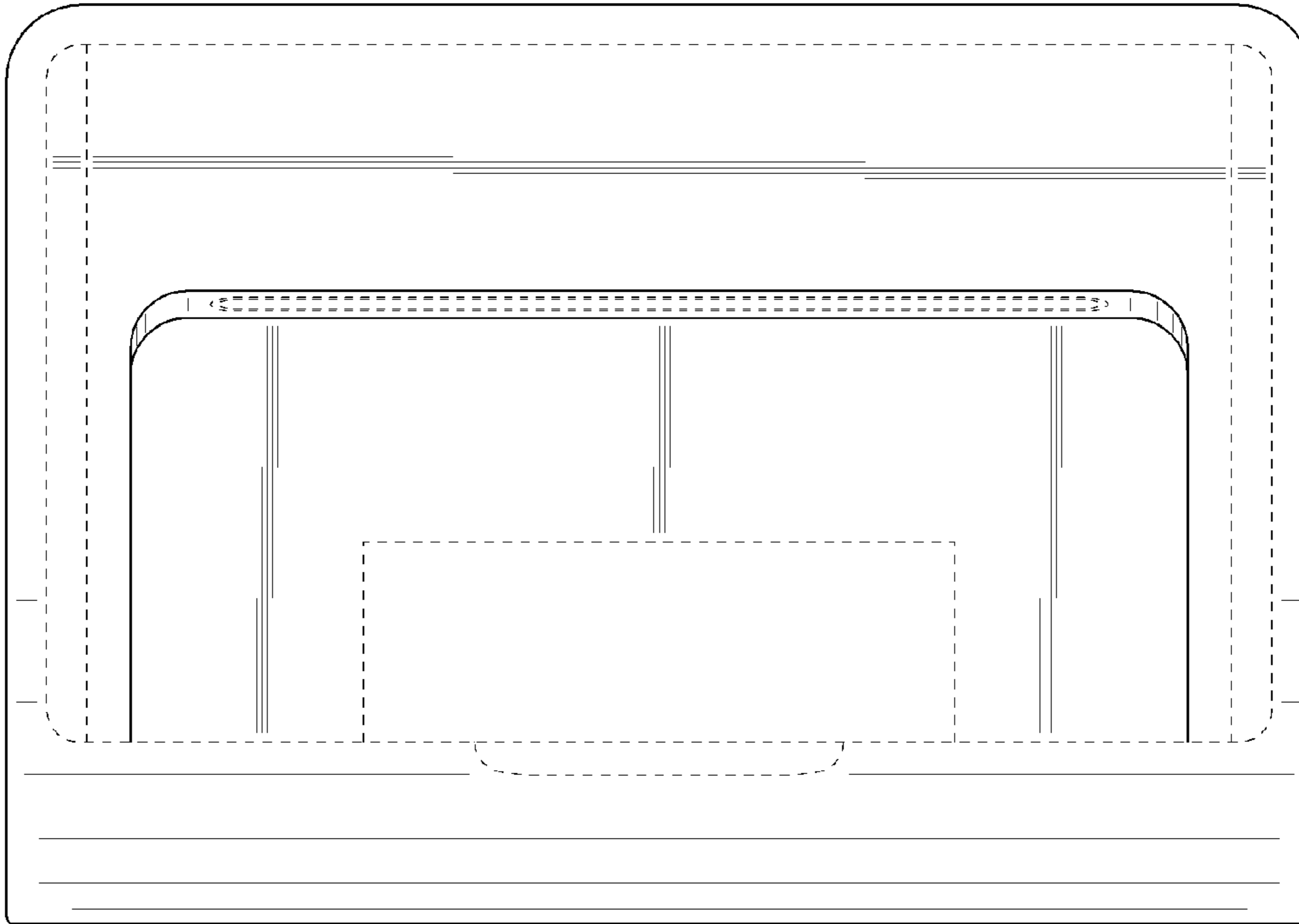


FIG.7



FIG.8

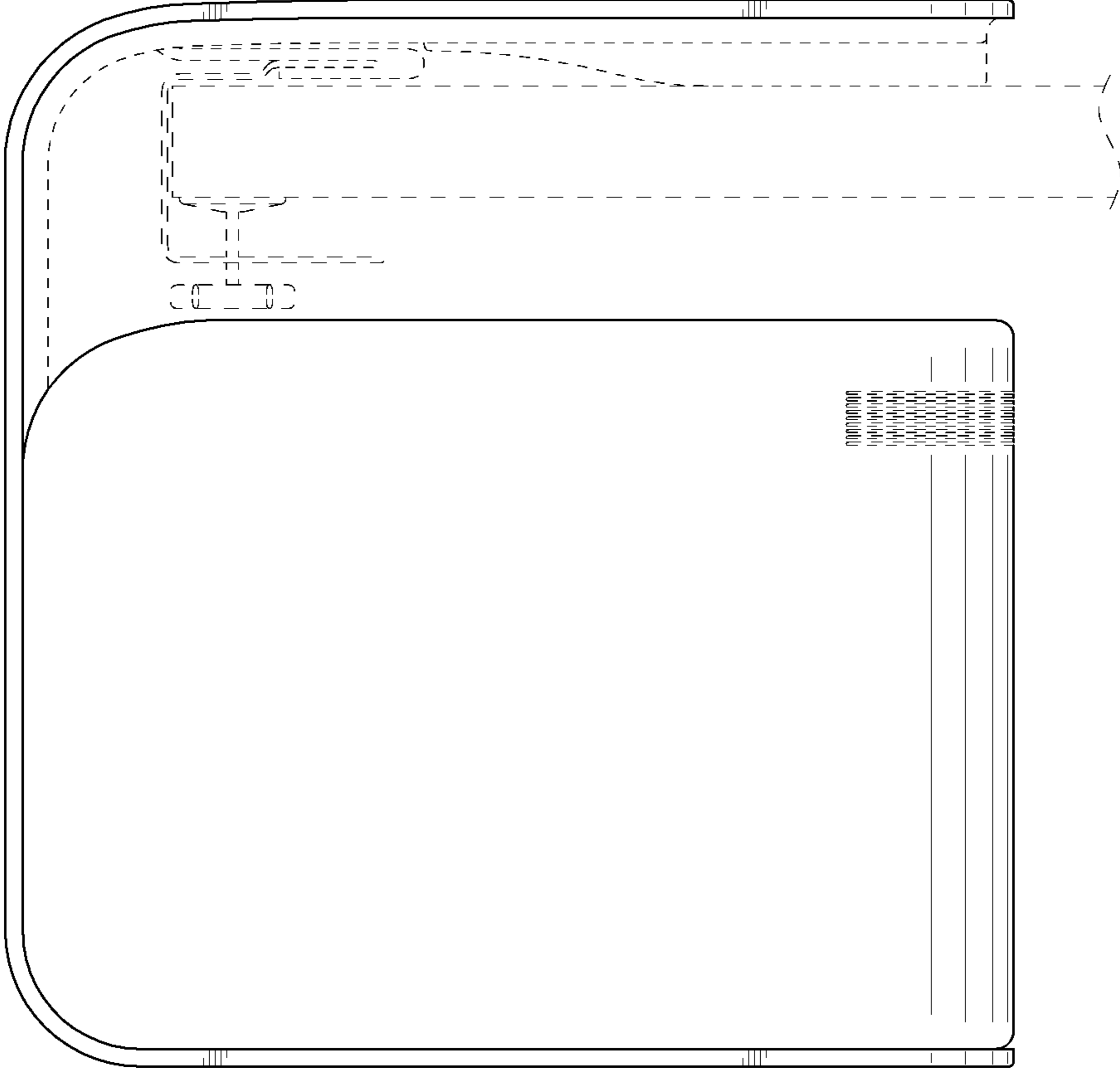


FIG.9

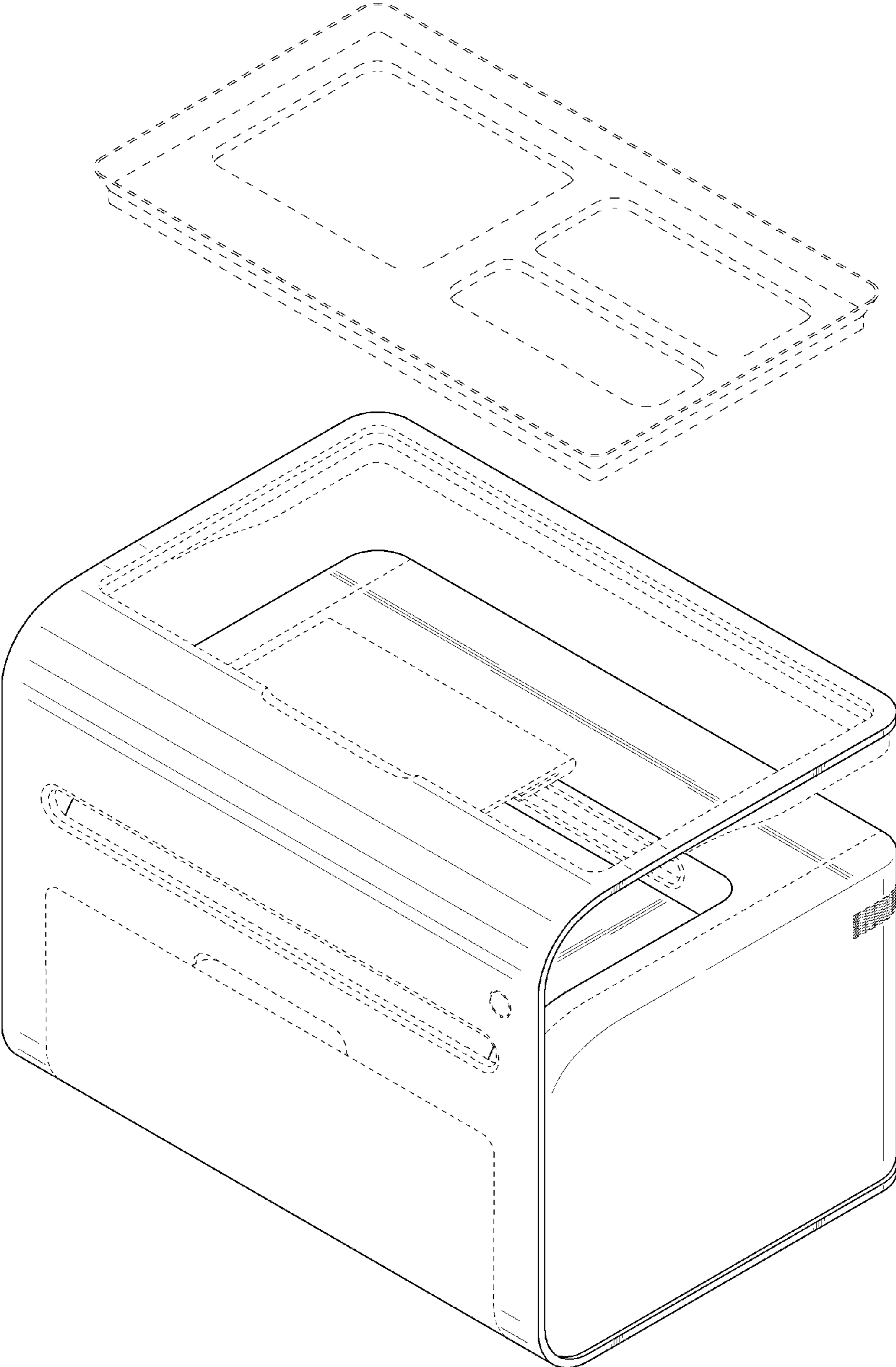


FIG.10

