



US00D732606S

(12) **United States Design Patent**
Chung et al.

(10) **Patent No.:** **US D732,606 S**
(45) **Date of Patent:** **** Jun. 23, 2015**

- (54) **MULTIFUNCTION PRINTER**
- (71) Applicant: **Samsung Electronics Co., Ltd.**,
Suwon-si, Gyeonggi-do (KR)
- (72) Inventors: **Won-Suk Chung**, Seoul (KR); **Jeffrey Brown**, Mason, OH (US); **Joyce Jing-Ling Chiang**, Irvine, CA (US); **Kyle Oldfield**, Cincinnati, OH (US); **John Travis Wettroth**, Cary, NC (US); **Soo-Shin Choi**, Cincinnati, OH (US)
- (73) Assignee: **SAMSUNG ELECTRONICS CO., LTD.** (KR)
- (**) Term: **14 Years**
- (21) Appl. No.: **29/481,929**
- (22) Filed: **Feb. 12, 2014**
- (51) **LOC (10) Cl.** **14-02**
- (52) **U.S. Cl.**
USPC **D18/50; D18/53**
- (58) **Field of Classification Search**
USPC **D18/50, 53, 54, 54.1, 55; D14/300, D14/307-308, 420-426, 462-470; 400/613, 400/613.1-613.4, 690.1-690.4, 691-694; D24/158**
See application file for complete search history.

- (56) **References Cited**
U.S. PATENT DOCUMENTS
- | | | | | | | |
|-----------|---|---|---------|-------------------|-------|-----------|
| 3,263,557 | A | * | 8/1966 | Cunningham et al. | | 399/132 |
| D229,351 | S | * | 11/1973 | Zeuthen | | D18/38 |
| D250,192 | S | * | 11/1978 | Flohrer | | D14/462 |
| 4,215,762 | A | * | 8/1980 | Cunningham et al. | | 400/690.1 |
| D280,211 | S | * | 8/1985 | Overman et al. | | D18/55 |
| 4,611,246 | A | * | 9/1986 | Nihei | | D18/50 |
| D286,939 | S | * | 11/1986 | Barger | | D99/43 |
| D323,846 | S | * | 2/1992 | Yamamoto | | D18/50 |
| D374,685 | S | * | 10/1996 | Tsuruoka | | D18/54 |
| D428,891 | S | * | 8/2000 | Harada et al. | | D14/425 |
| D451,950 | S | * | 12/2001 | Ohashi | | D18/50 |

- D478,618 S * 8/2003 Obara D18/54
- D480,142 S * 9/2003 Chikuma D24/158
- D532,782 S * 11/2006 Russo et al. D14/307
- D536,031 S * 1/2007 King et al. D18/50
- D541,849 S * 5/2007 King et al. D18/50
- D548,776 S * 8/2007 Egami et al. D18/50
- D551,287 S * 9/2007 Ishigami et al. D18/50
- D554,257 S * 10/2007 Ogiwara D24/158
- D573,596 S * 7/2008 Laidlaw et al. D14/422
- D574,883 S * 8/2008 Seino D18/50
- D582,971 S * 12/2008 Smith et al. D18/50
- D617,575 S * 6/2010 Dreyer et al. D6/396
- D624,118 S * 9/2010 Tarter et al. D18/53
- D645,897 S * 9/2011 Chuang et al. D18/50
- D669,119 S * 10/2012 Sato et al. D18/50
- D671,595 S * 11/2012 O'Hara D14/307
- D684,793 S * 6/2013 Kikkert et al. D6/674
- D702,237 S * 4/2014 Oberpriller et al. D14/423
- D721,696 S * 1/2015 Birgeoglu D14/307
- D724,735 S * 3/2015 Harverson D24/158

* cited by examiner

Primary Examiner — Cathy A MacCormac

(74) Attorney, Agent, or Firm — Cantor Colburn LLP

(57) **CLAIM**

The ornamental design for a multifunction printer, as shown and described.

DESCRIPTION

FIG. 1 is a front perspective view of a multifunction printer, showing our new design;
 FIG. 2 is a front view thereof;
 FIG. 3 is a rear view thereof;
 FIG. 4 is a left side view thereof;
 FIG. 5 is a right side view thereof;
 FIG. 6 is a top view thereof;
 FIG. 7 is a bottom view thereof; and,
 FIG. 8 is a right side view thereof, showing the multifunction printer in another configuration.
 The broken lines illustrating portions of the multifunction printer are for environmental purposes only and form no part of the claimed design.

1 Claim, 7 Drawing Sheets

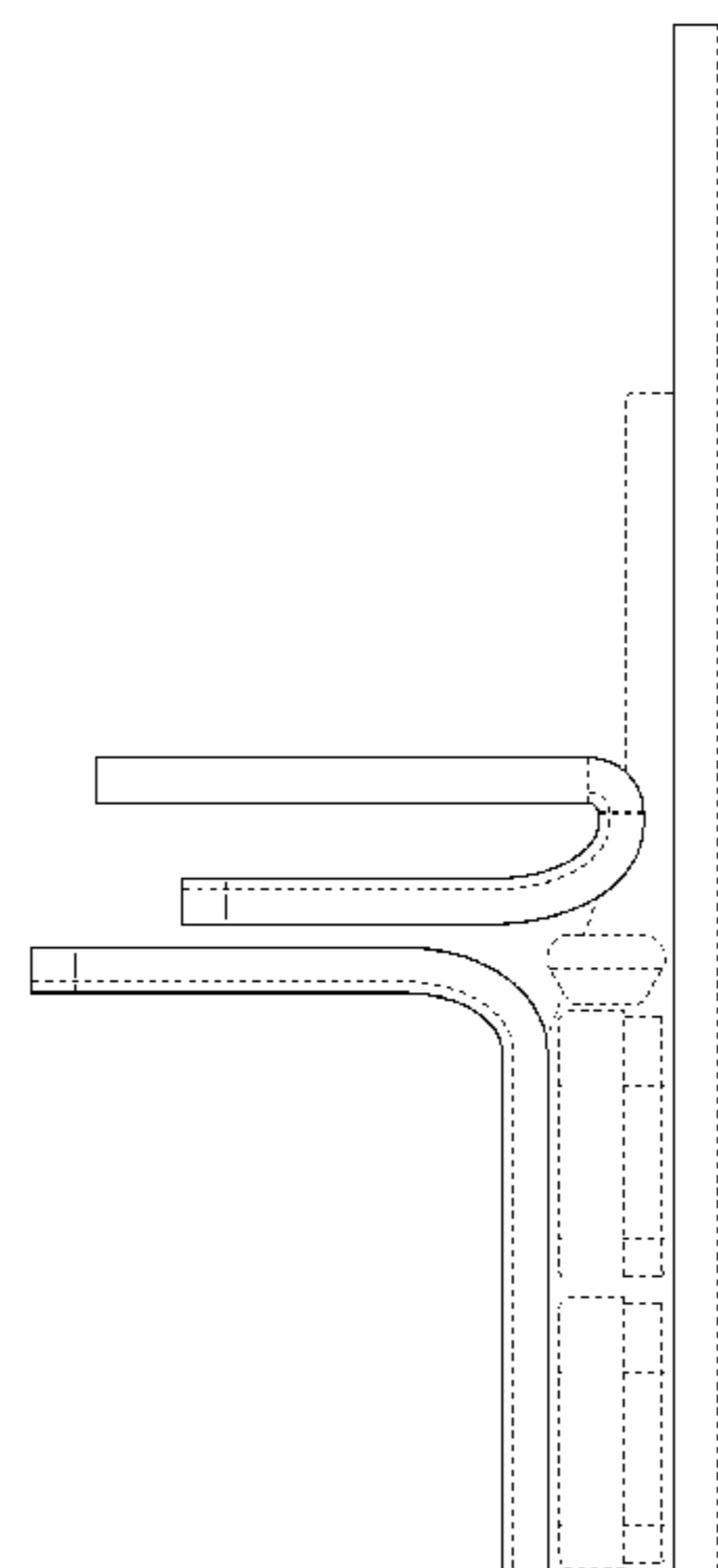
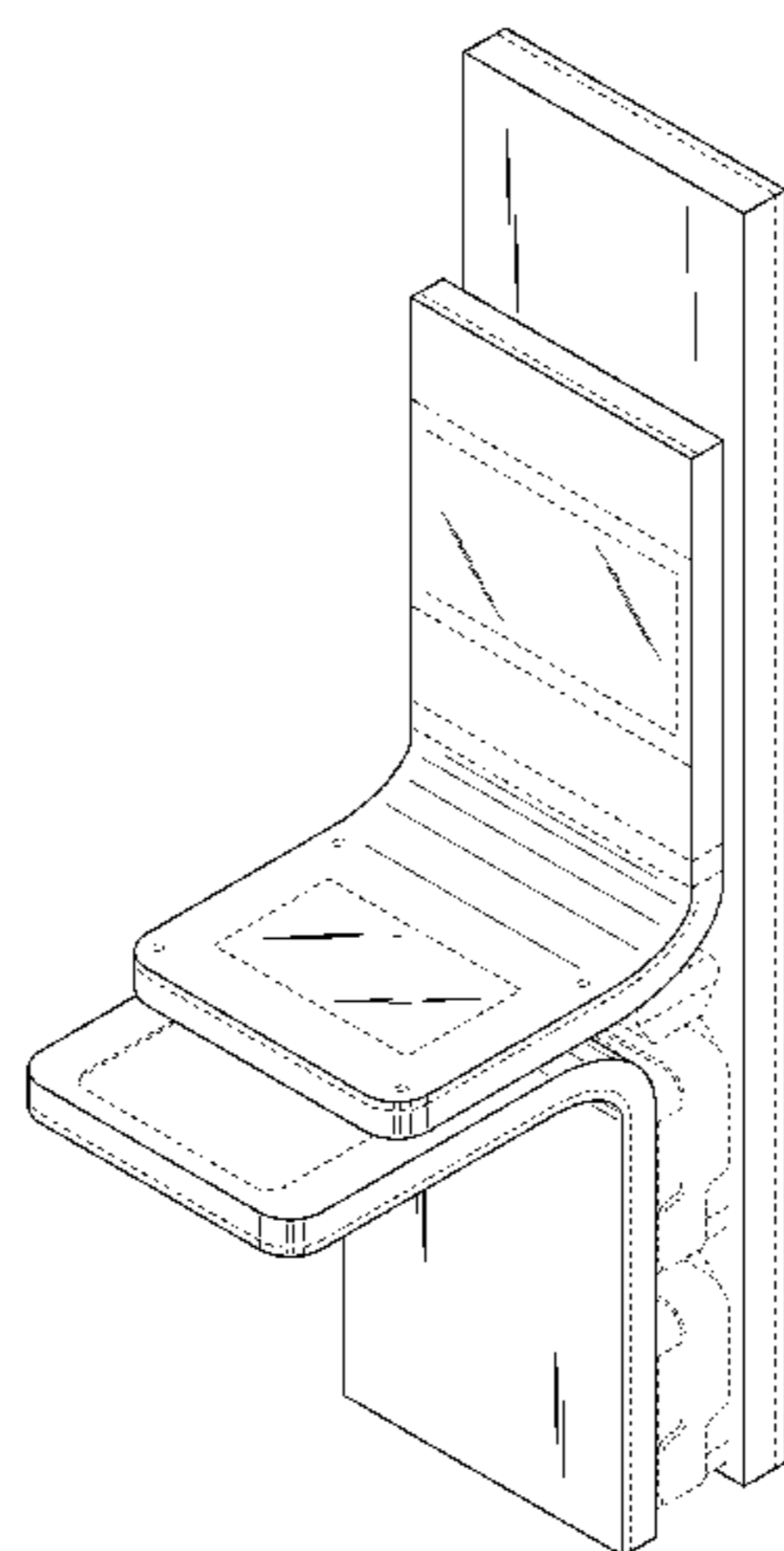


FIG.1

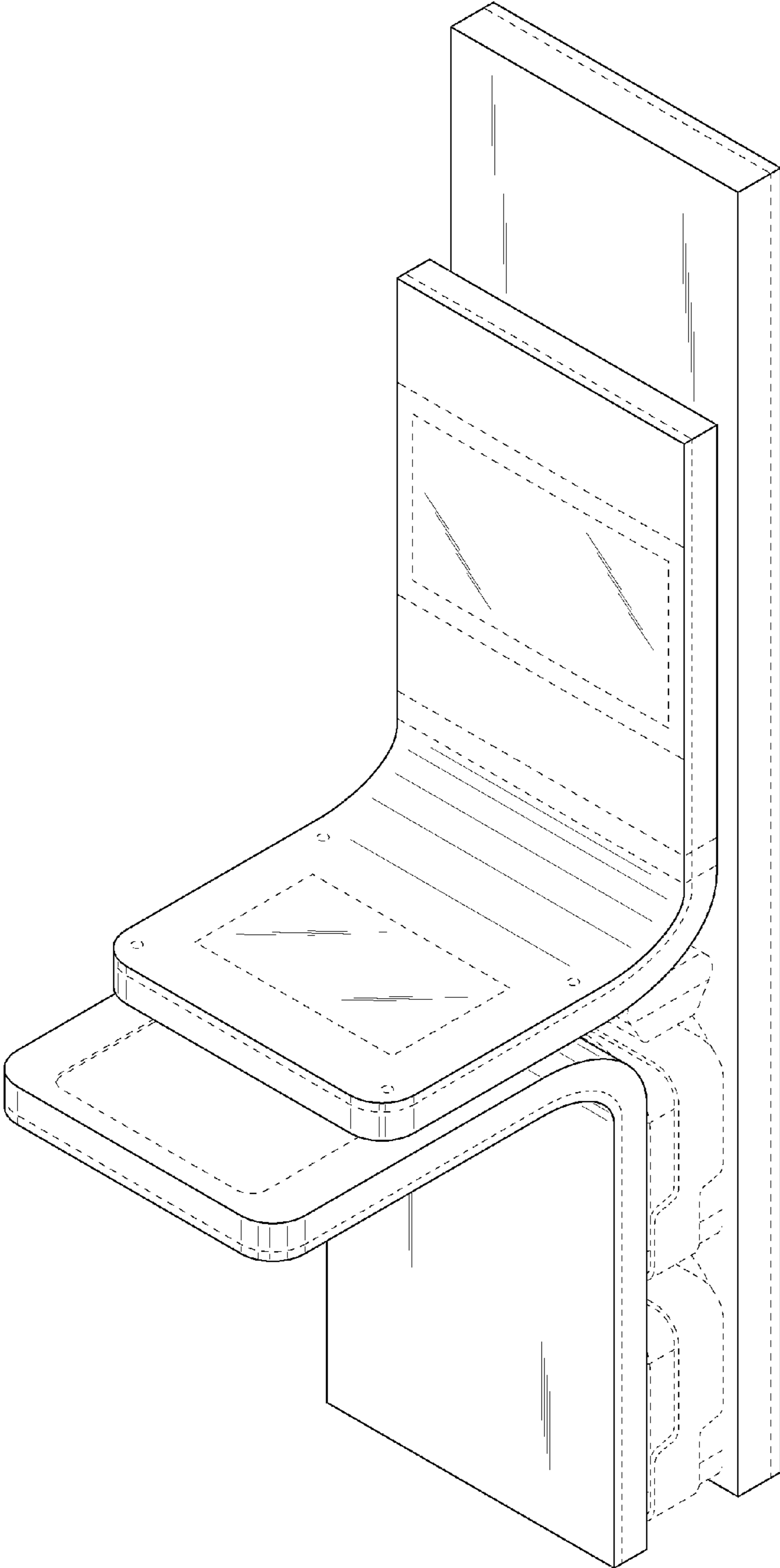


FIG.2

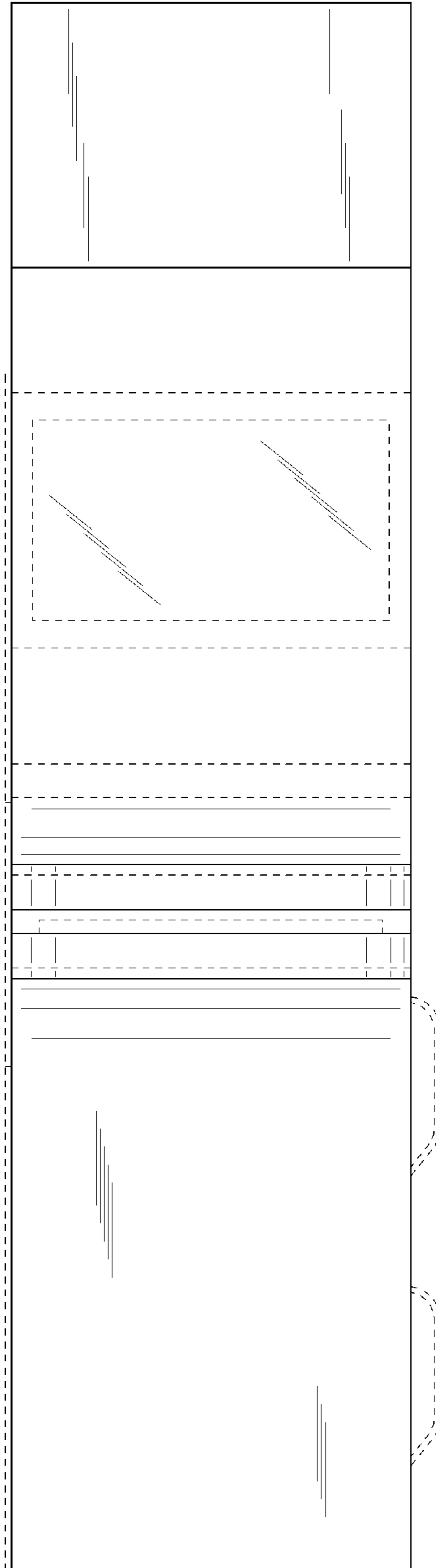


FIG.3

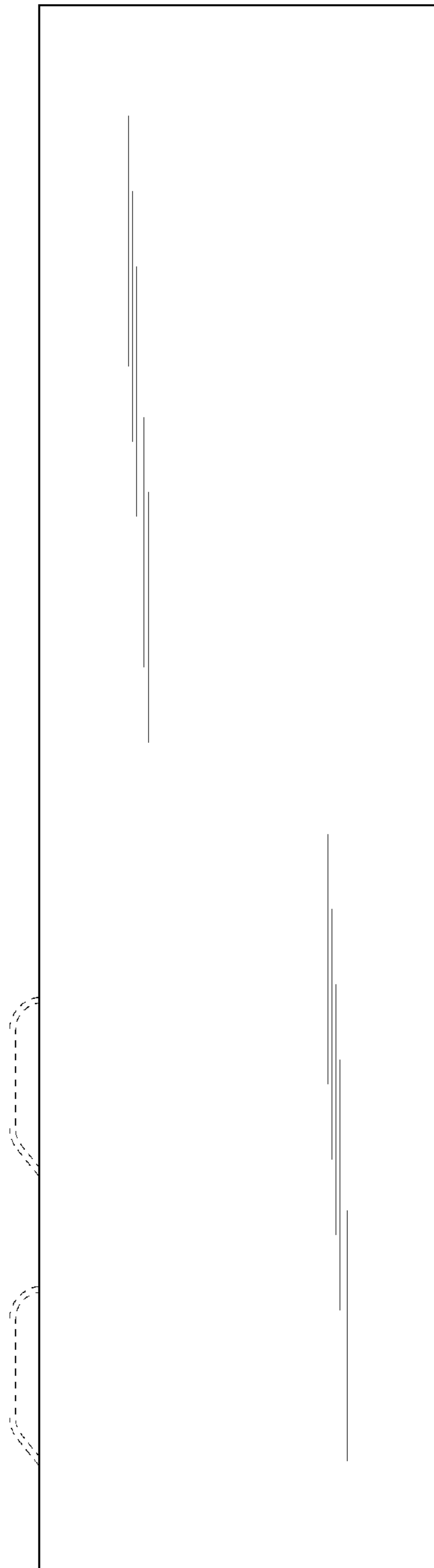


FIG.4

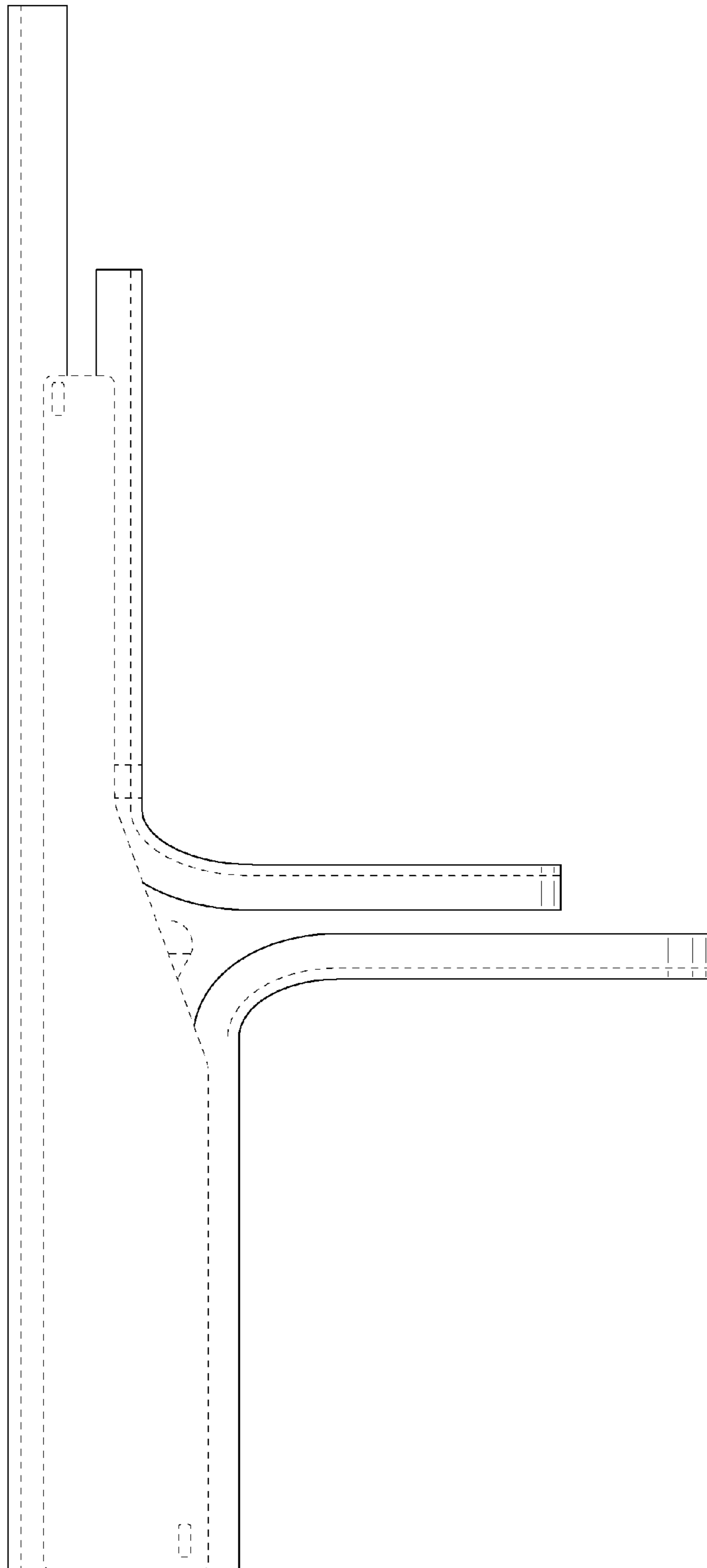


FIG.5

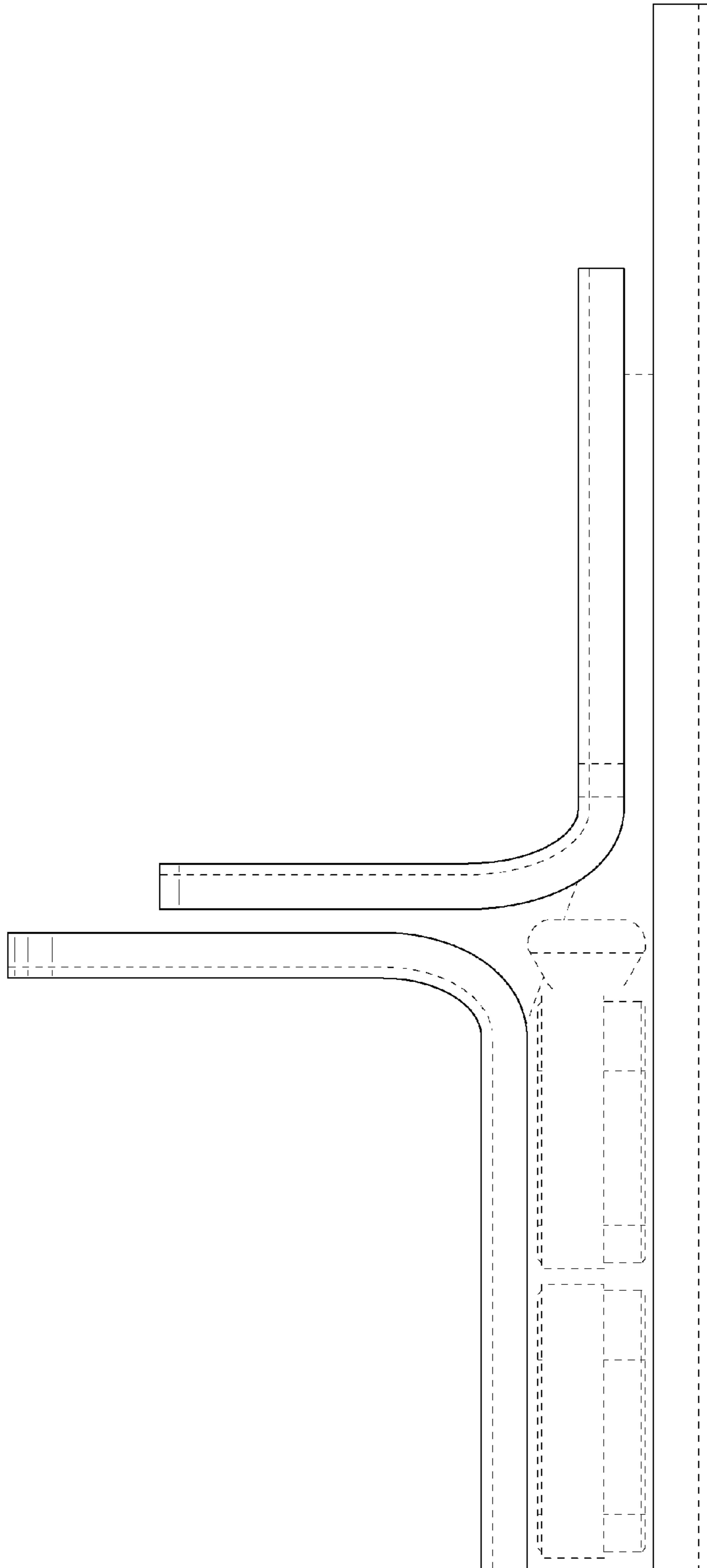


FIG.6

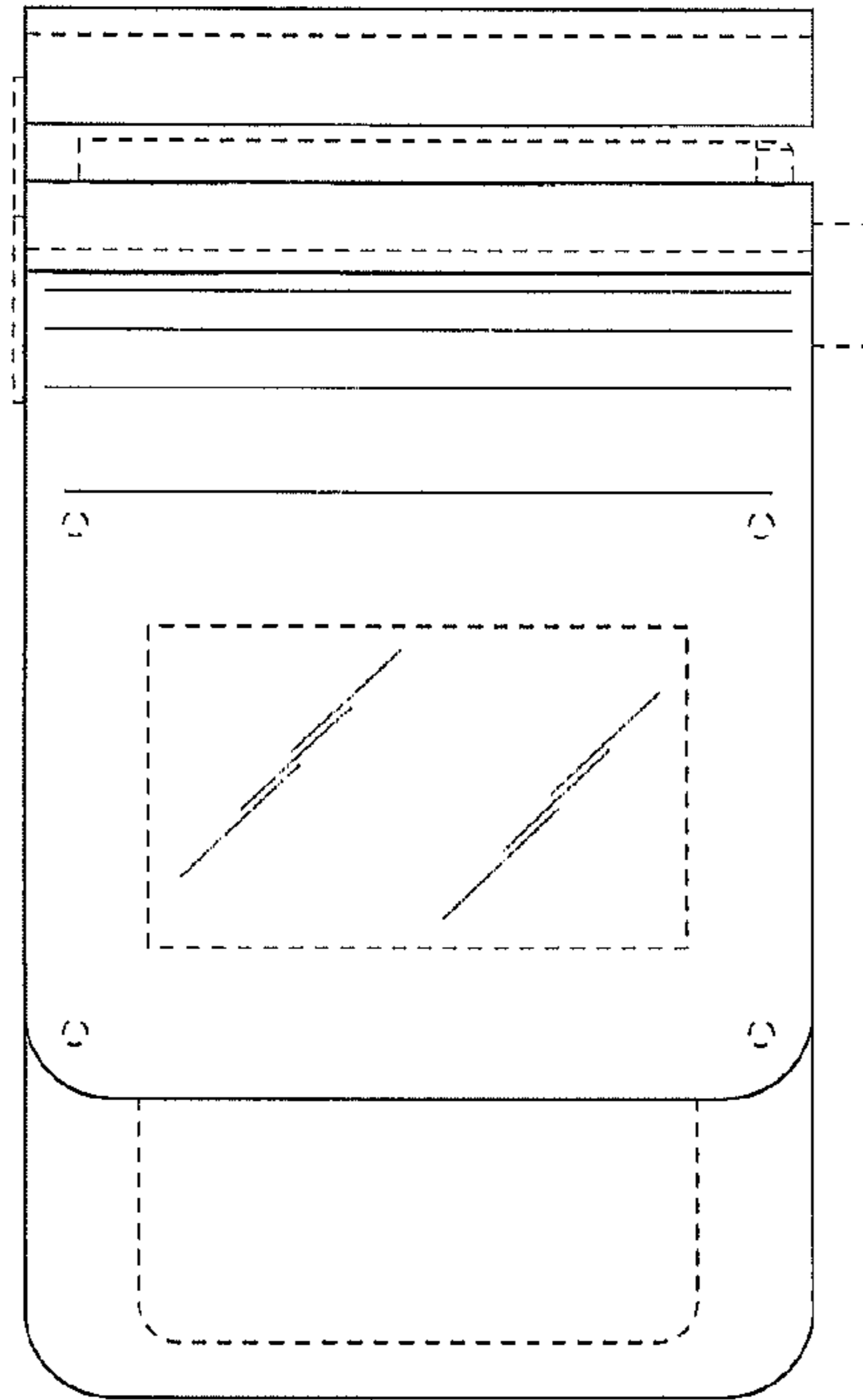


FIG.7

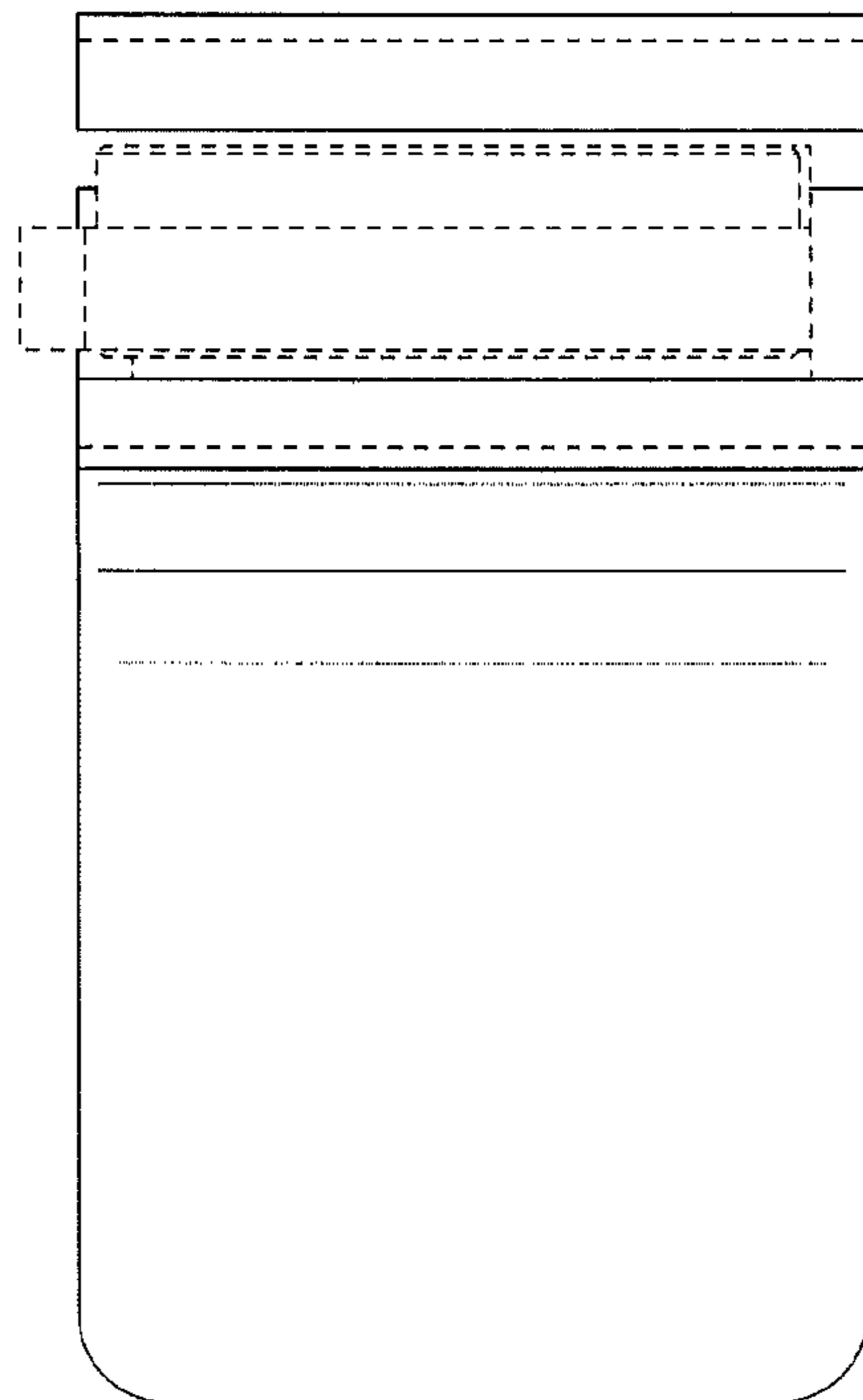


FIG.8

