



US00D732605S

(12) **United States Design Patent**
Eberlen

(10) **Patent No.:** **US D732,605 S**

(45) **Date of Patent:** **** Jun. 23, 2015**

(54) **STRING SUPPORT FOR A GUITAR**

D704,254 S * 5/2014 Gray D17/20
D707,286 S * 6/2014 Eberlen D17/20
D707,287 S * 6/2014 Thomas D17/20

(71) Applicant: **Richard Michael Eberlen**, Waxahachie,
TX (US)

* cited by examiner

(72) Inventor: **Richard Michael Eberlen**, Waxahachie,
TX (US)

Primary Examiner — Rashida Johnson

(**) Term: **14 Years**

(57) **CLAIM**

I claim the ornamental design for a string support for a guitar,
as shown and described.

(21) Appl. No.: **29/474,037**

(22) Filed: **May 8, 2014**

DESCRIPTION

(51) **LOC (10) Cl.** **17-03**

(52) **U.S. Cl.**
USPC **D17/20**

(58) **Field of Classification Search**
USPC D17/14, 18–21, 99
See application file for complete search history.

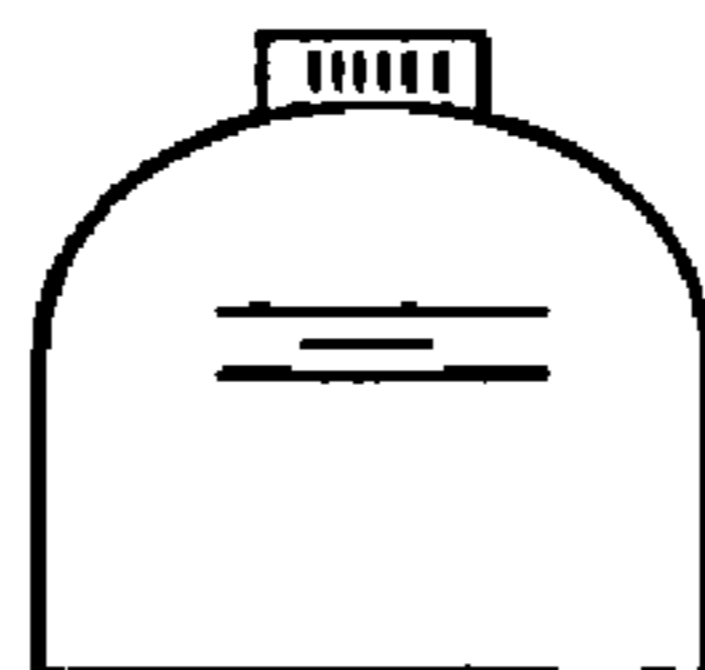
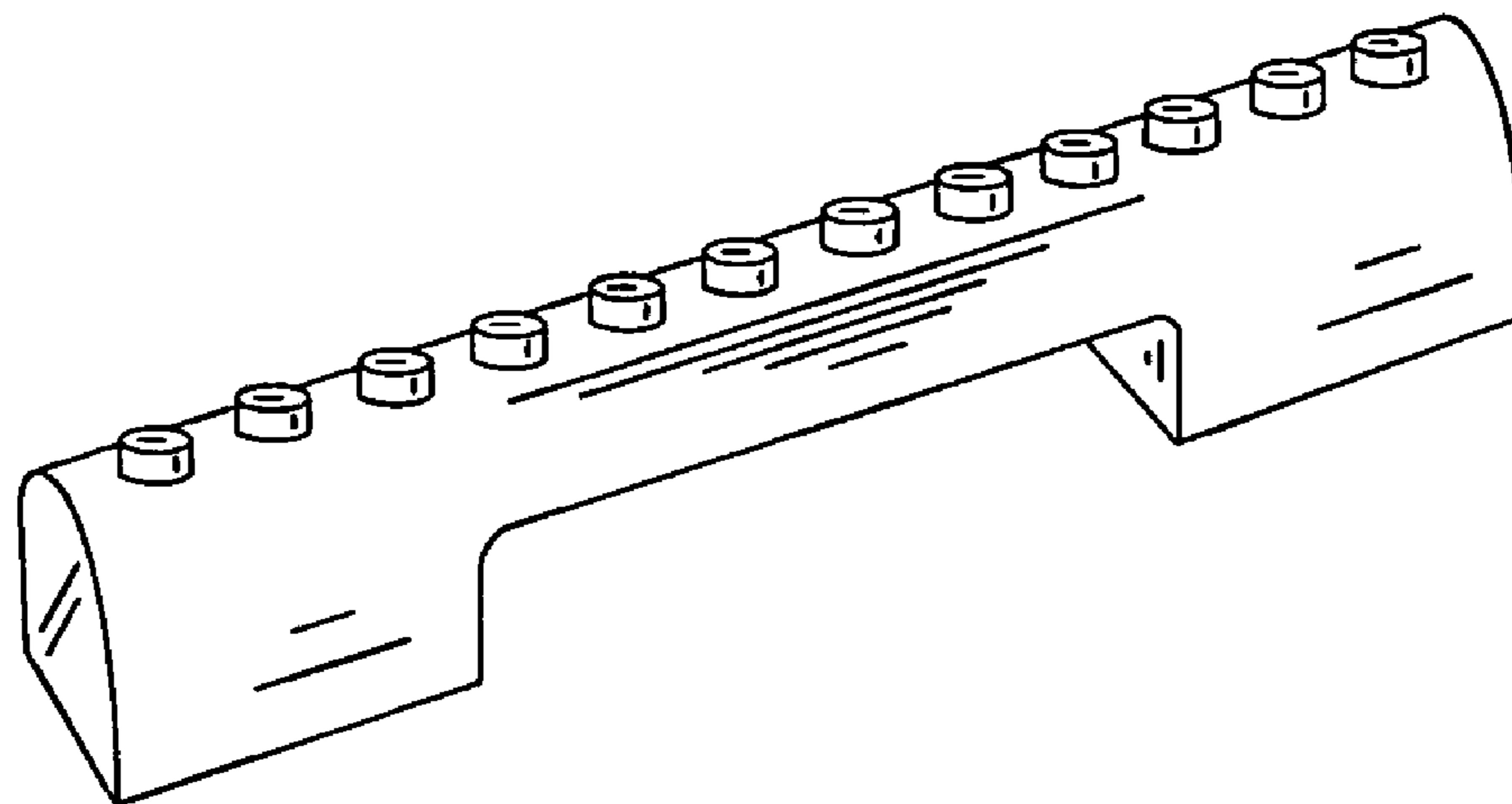
FIG. 1 is a perspective front view of a string support for a guitar showing my new design;
FIG. 2 is a front view thereof, the back view being a mirror image;
FIG. 3 is a left side view thereof, the right side view being a mirror image;
FIG. 4 is a top view thereof;
FIG. 5 is a bottom view thereof; and,
FIG. 6 is a perspective view of the string support shown in use. The broken lines showing a guitar neck and body in FIG. 6 depict environmental matter and form no part of the claimed design.

(56) **References Cited**

U.S. PATENT DOCUMENTS

D301,892 S * 6/1989 Jablonski D17/20
5,796,021 A * 8/1998 Longshore 84/329
D685,410 S * 7/2013 Chaput D17/20
D688,735 S * 8/2013 Chaput D17/20

1 Claim, 2 Drawing Sheets



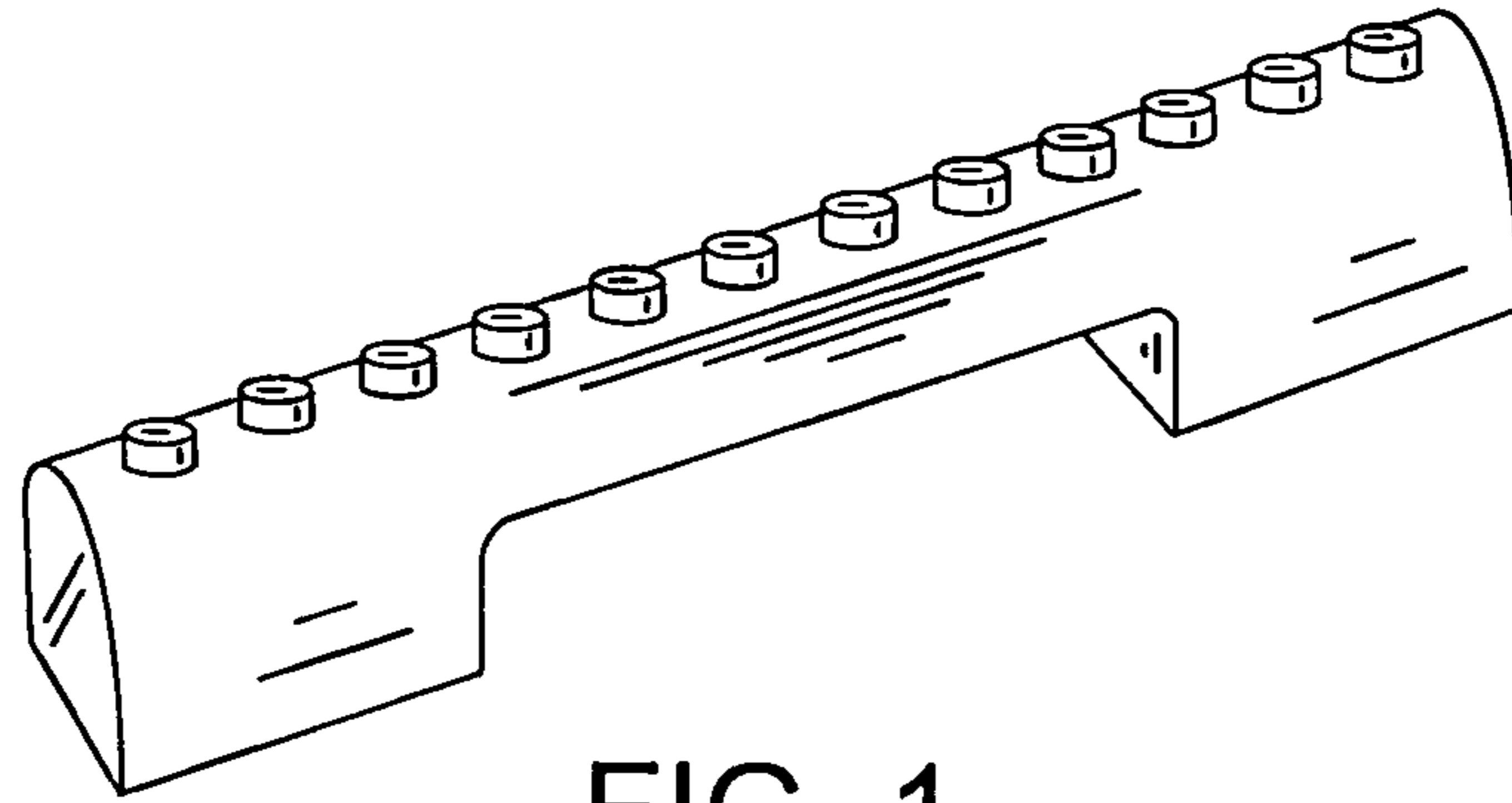


FIG. 1

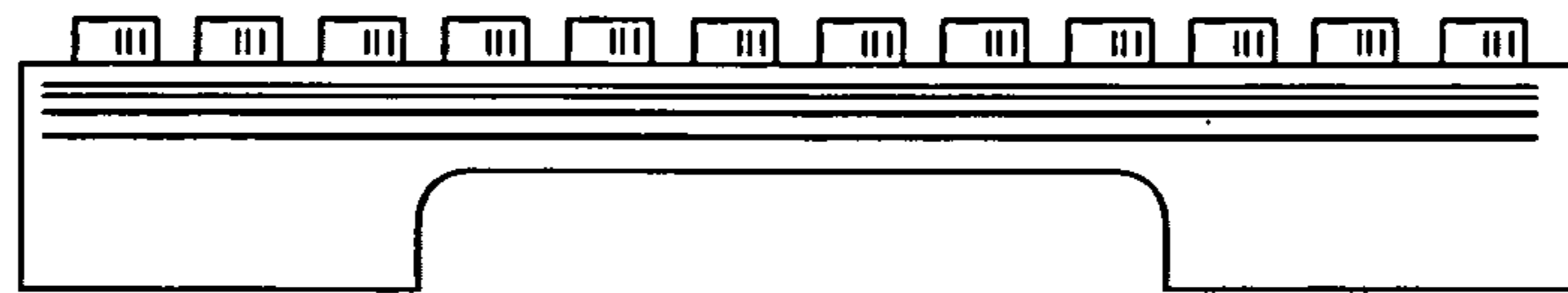


FIG. 2

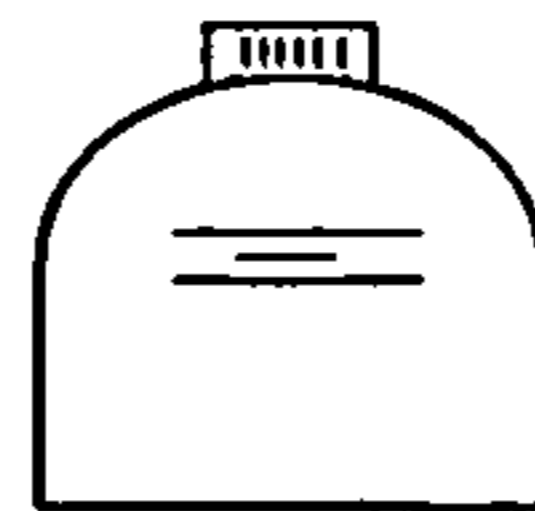


FIG. 3



FIG. 4

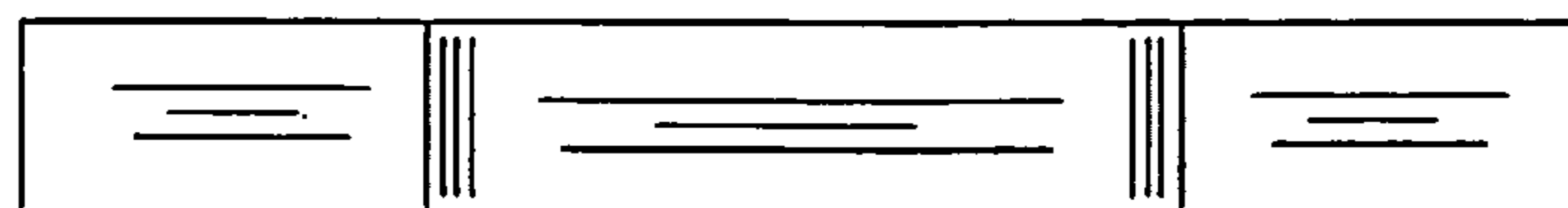


FIG. 5

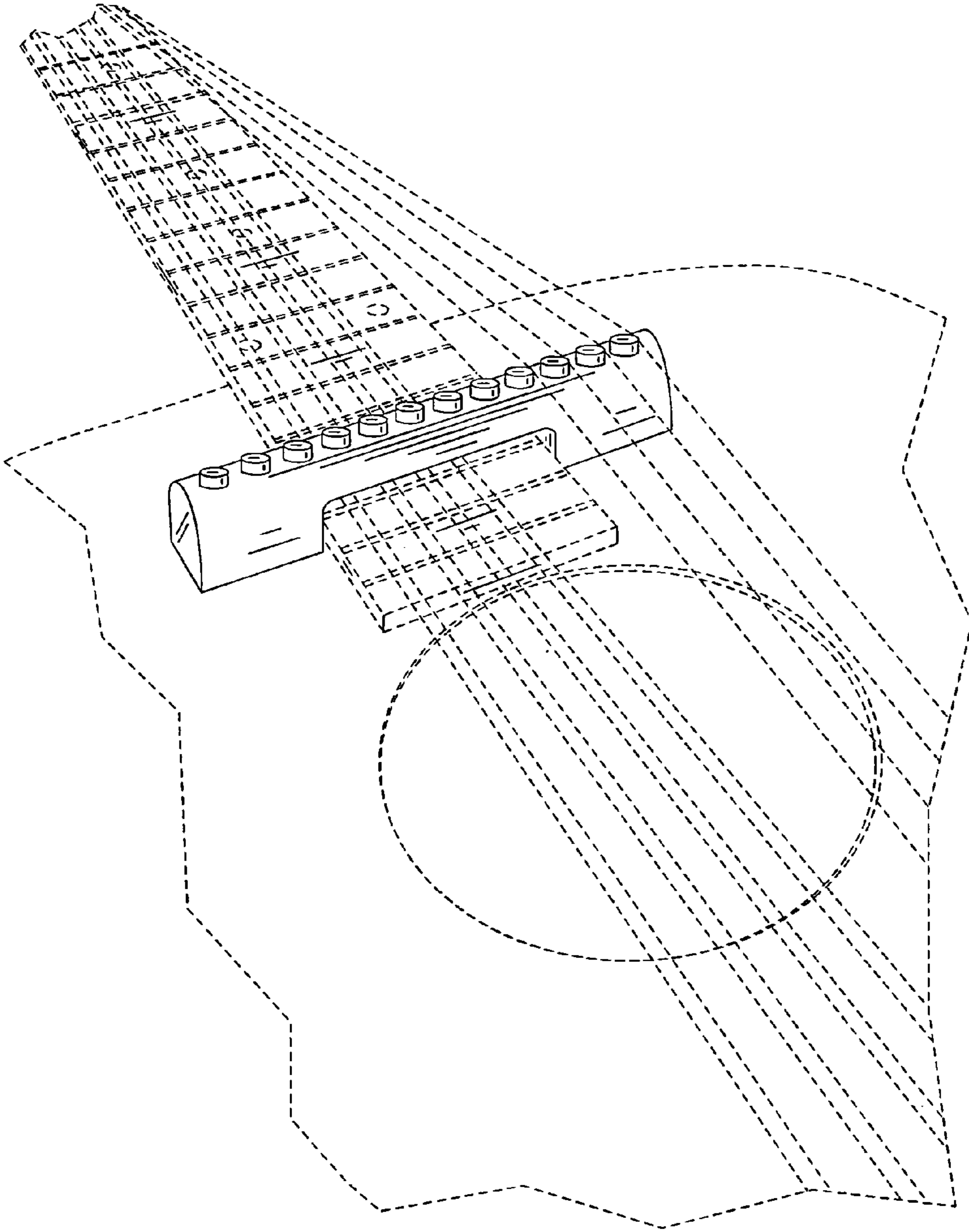


FIG. 6