



US00D732604S

(12) **United States Design Patent**
Benge

(10) **Patent No.:** **US D732,604 S**
(45) **Date of Patent:** **** Jun. 23, 2015**

(54) **HEART-SHAPED STRINGED INSTRUMENT**

(71) Applicant: **Geoff Benge**, Chicago, IL (US)

(72) Inventor: **Geoff Benge**, Chicago, IL (US)

(**) Term: **14 Years**

(21) Appl. No.: **29/467,440**

(22) Filed: **Sep. 19, 2013**

(51) **LOC (10) Cl.** **17-03**

(52) **U.S. Cl.**
USPC **D17/14**

(58) **Field of Classification Search**
USPC D17/14, 18-20, 99; 84/267, 290-293,
84/268, 461, 465, 470 R
See application file for complete search history.

(56) **References Cited**

U.S. PATENT DOCUMENTS

452,193	A *	5/1891	Pizzuti	84/285
550,529	A *	11/1895	Pyle	84/291
738,811	A *	9/1903	Johnson	84/268
796,878	A	8/1905	Spurgeon	
D52,539	S *	10/1918	McVey	D17/14
D65,662	S *	9/1924	Mattausch	D17/18
D81,591	S *	7/1930	Long	D17/18
1,799,696	A *	4/1931	Miller	84/264
2,083,751	A *	6/1937	Thompson	84/267
2,484,820	A	10/1949	Galetzky	
2,969,703	A	1/1961	Matteo	
3,736,830	A *	6/1973	Ledford	84/285
D242,072	S	10/1976	Schneider	
D268,844	S	5/1983	McPherson, Sr.	
D278,540	S	4/1985	Morris	
D292,217	S	10/1987	Giron, III	
D292,413	S	10/1987	Slusser	
D334,764	S	4/1993	Fisher, IV	
D342,964	S	1/1994	Harriott	

D346,177	S	4/1994	Reineck	
D356,592	S	3/1995	Huskey	
D371,155	S *	6/1996	Hudnall	D17/19
6,046,393	A	4/2000	Rose	
D489,397	S *	5/2004	Flagg	D17/20
D516,115	S	2/2006	Rose	
D567,845	S	4/2008	Judd	
D568,925	S *	5/2008	Lechner	D17/14
D578,563	S	10/2008	Peavey et al.	
7,465,870	B1 *	12/2008	Homan	84/743
D657,814	S	4/2012	Clemmons	

OTHER PUBLICATIONS

Non-Final Office Action regarding U.S. Appl. No. 29/467,439, dated Mar. 27, 2015.

* cited by examiner

Primary Examiner — Rashida Johnson

(74) *Attorney, Agent, or Firm* — Harness, Dickey & Pierce, P.L.C.

(57) **CLAIM**

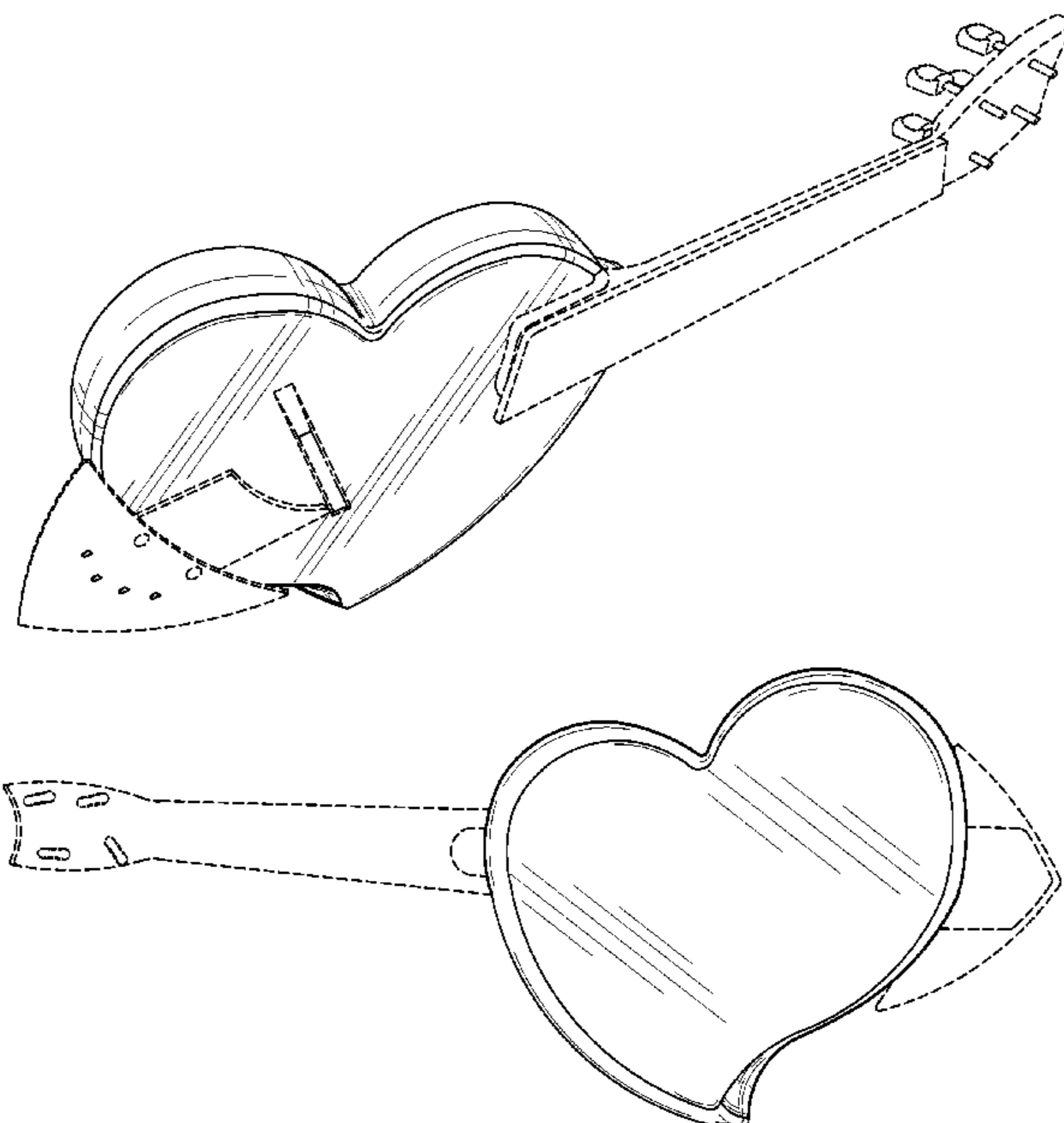
I claim the ornamental design for a heart-shaped stringed instrument, as shown and described.

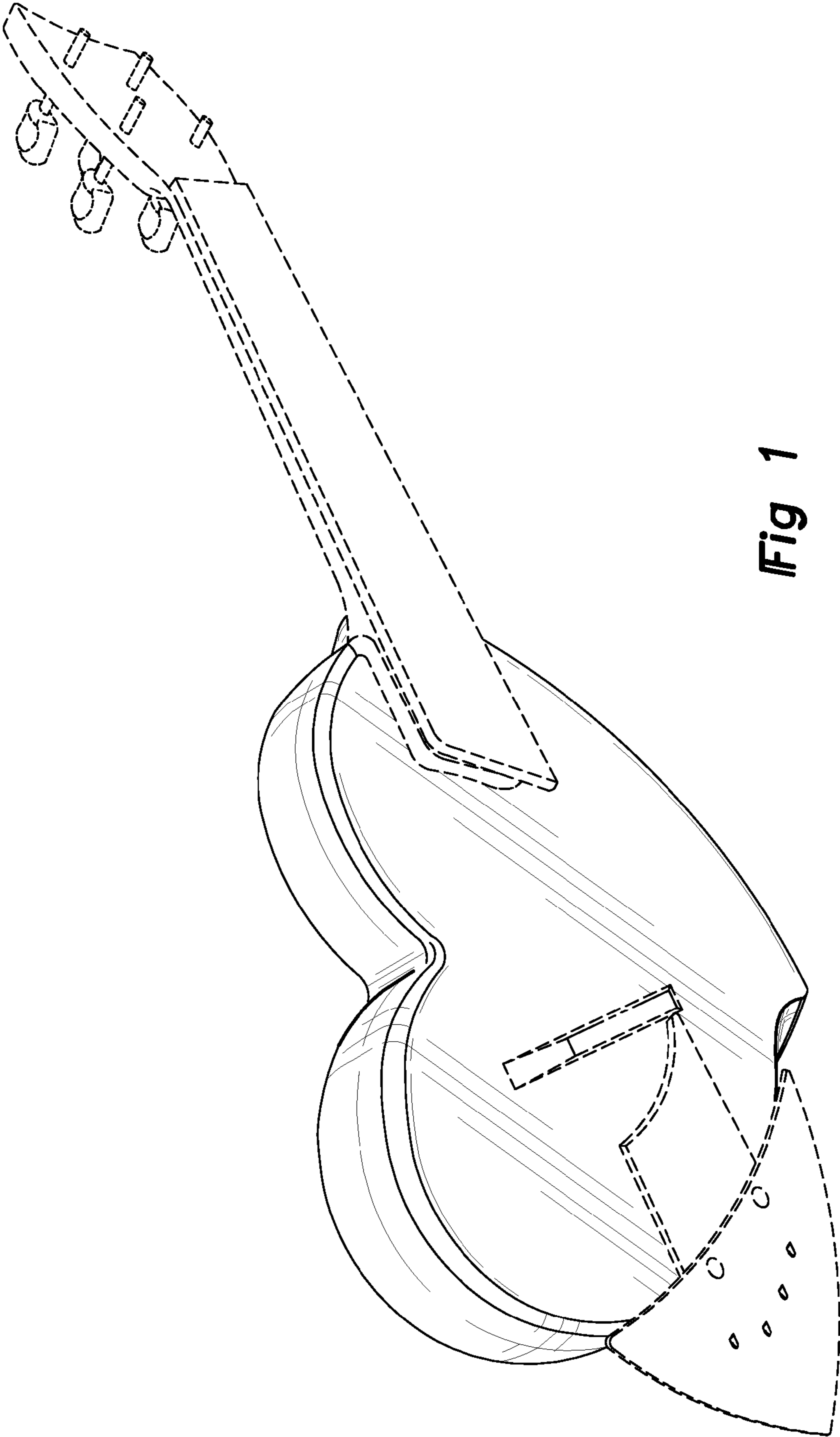
DESCRIPTION

FIG. 1 is a front perspective view of a heart-shaped stringed instrument;
FIG. 2 is a front elevational view thereof;
FIG. 3 is a top plan view thereof;
FIG. 4 is a bottom plan view thereof;
FIG. 5 is a right side elevational view thereof;
FIG. 6 is a left side elevational view thereof; and,
FIG. 7 is a back elevational view thereof.

In FIGS. 1-7, the broken lines represent the portions of the heart-shaped stringed instrument which form no part of the claimed design.

1 Claim, 3 Drawing Sheets





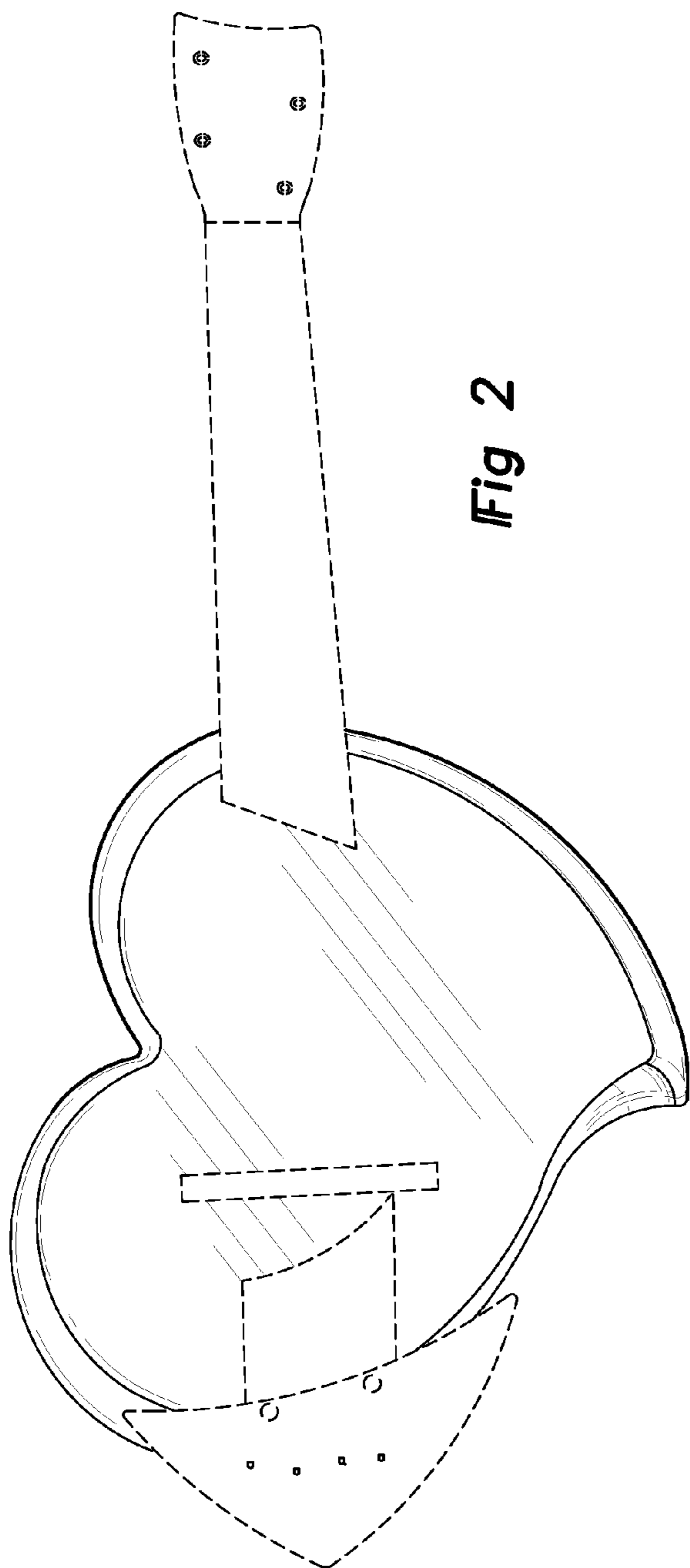


Fig 2

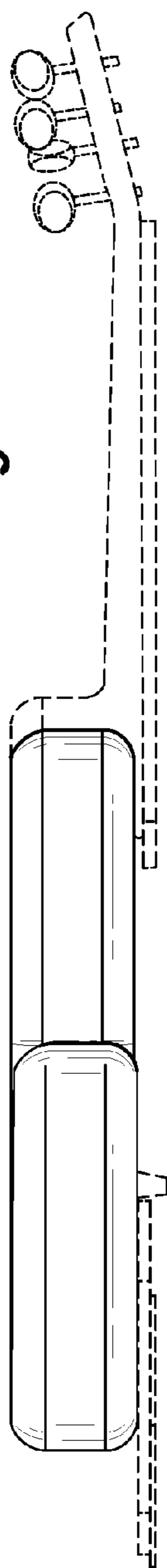


Fig 3

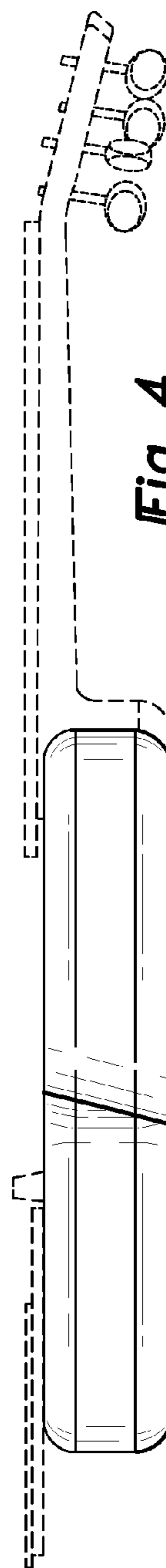


Fig 4

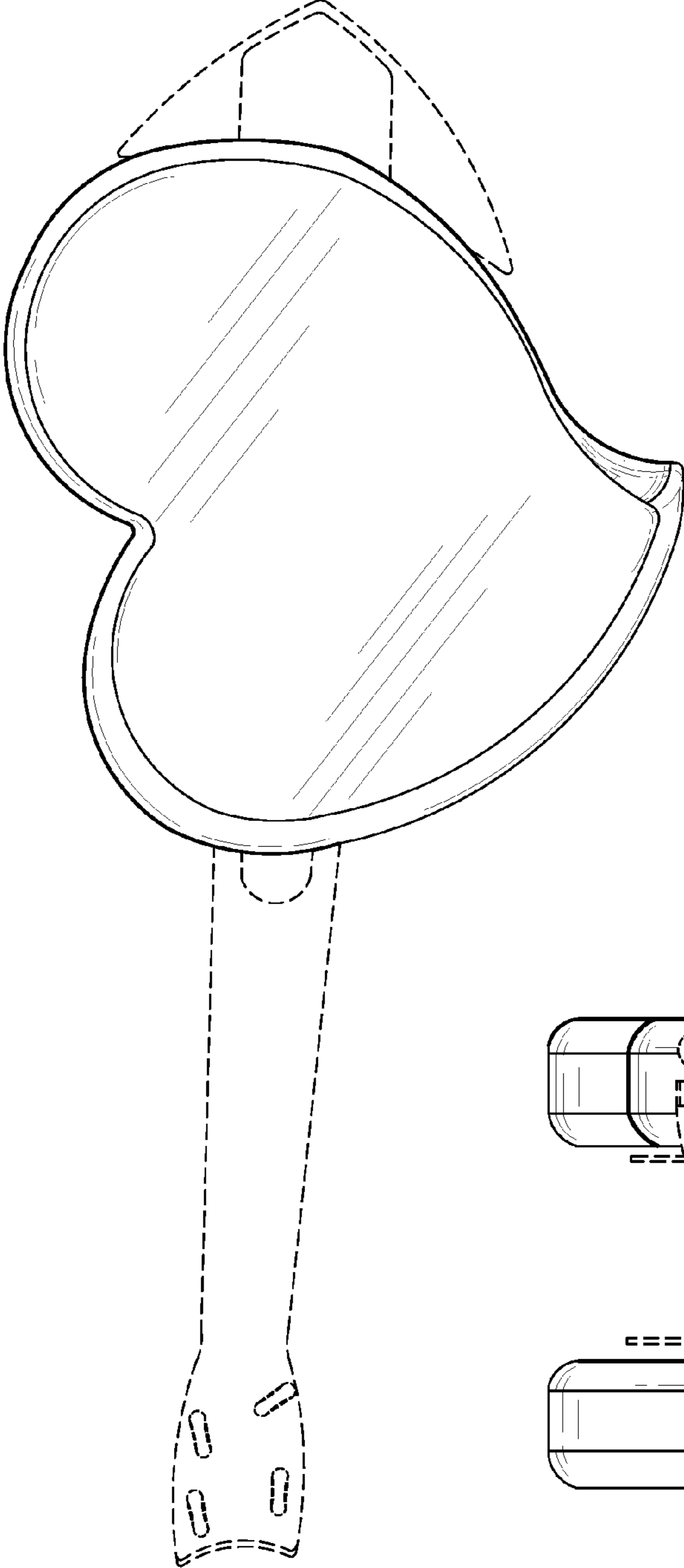


Fig 7

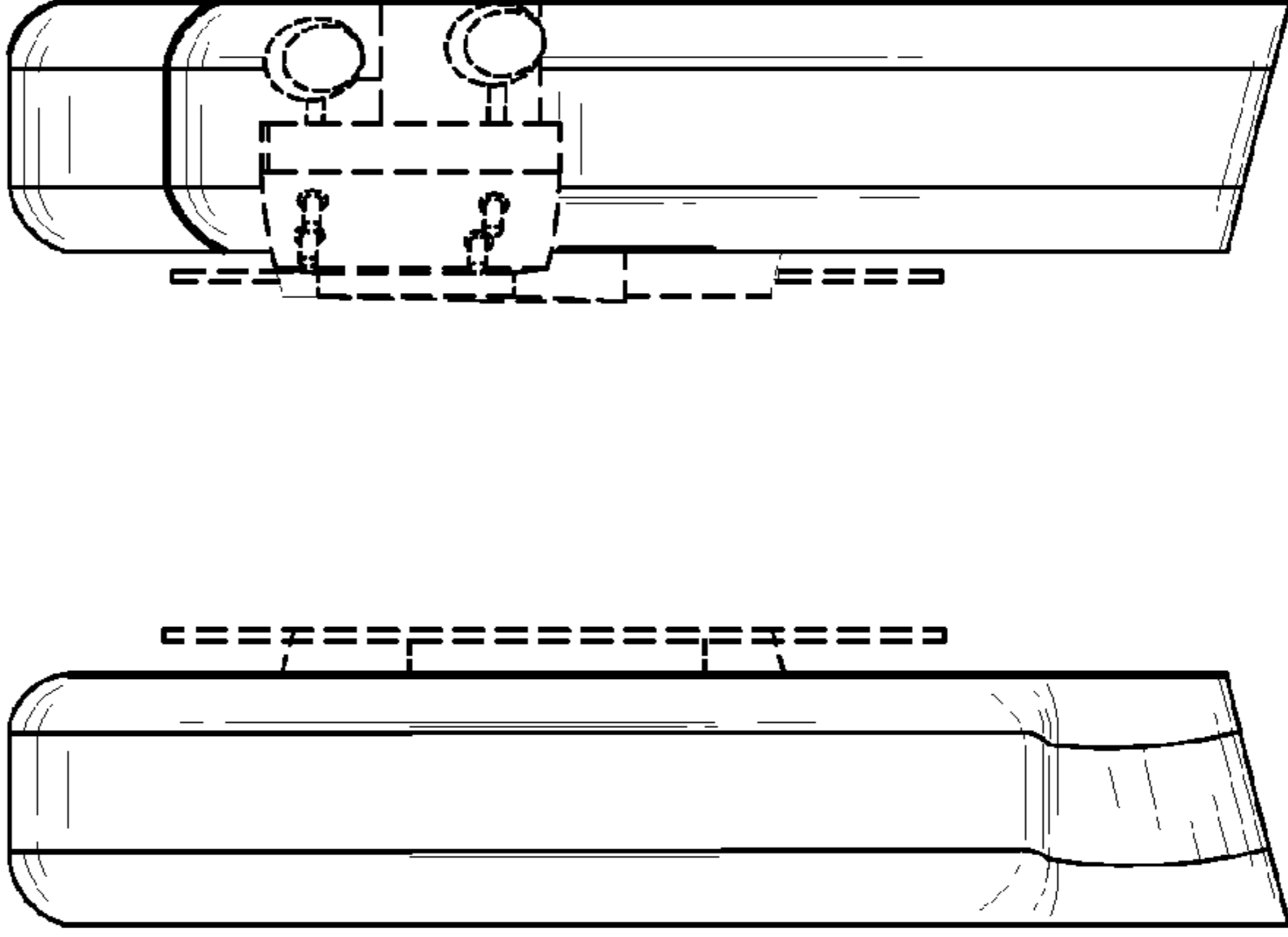


Fig 6

Fig 5