



US00D732602S

(12) **United States Design Patent**
Nokuo

(10) **Patent No.:** **US D732,602 S**
(45) **Date of Patent:** **** Jun. 23, 2015**

(54) **CAMERA HOLDER**
(71) Applicant: **Sony Computer Entertainment Inc.**,
Tokyo (JP)
(72) Inventor: **Taichi Nokuo**, Tokyo (JP)
(73) Assignee: **Sony Computer Entertainment Inc.**,
Tokyo (JP)

(**) Term: **14 Years**
(21) Appl. No.: **29/470,746**
(22) Filed: **Oct. 24, 2013**

(30) **Foreign Application Priority Data**
Jun. 7, 2013 (JP) D2013-012881
(51) **LOC (10) Cl.** **16-05**
(52) **U.S. Cl.**
USPC **D16/242**
(58) **Field of Classification Search**
USPC D16/205, 208, 211, 214, 218-220, 235,
D16/237-250, 302, 303; D8/354, 363, 394,
D8/395; D14/217, 251, 253, 447, 452
CPC G03B 17/14; G03B 17/26; G03B 17/30;
G03B 17/56; G03B 17/561-17/568; G03B
21/54; F16M 11/14; F16M 11/26; F16M
13/04; H04N 5/2254
See application file for complete search history.

(56) **References Cited**
U.S. PATENT DOCUMENTS
D209,982 S * 1/1968 Cohen D26/24
D349,640 S * 8/1994 Whitaker D8/363
D407,710 S * 4/1999 Poulos D14/251
D420,991 S 2/2000 Ichikawa et al.
D420,999 S 2/2000 Ichikawa et al.

D609,563 S 2/2010 Daum et al.
D632,422 S * 2/2011 van den Akker D26/128
D659,178 S * 5/2012 Huang et al. D16/242
D682,814 S * 5/2013 Kadivar et al. D14/239
D686,609 S * 7/2013 Kadivar D14/253
D688,725 S * 8/2013 Tsai D16/242
D720,383 S * 12/2014 Ralph D16/242
2007/0081817 A1 * 4/2007 Soulvie 396/419
2012/0074286 A1 * 3/2012 Chou 248/346.03

OTHER PUBLICATIONS

Here's The PlayStation 4 Camera That Won't Come With The Console At Launch. [online] Published Nov. 14, 2013 from URL: <http://www.businessinsider.com/ps4-camera-unboxed-2013-11>.*

* cited by examiner

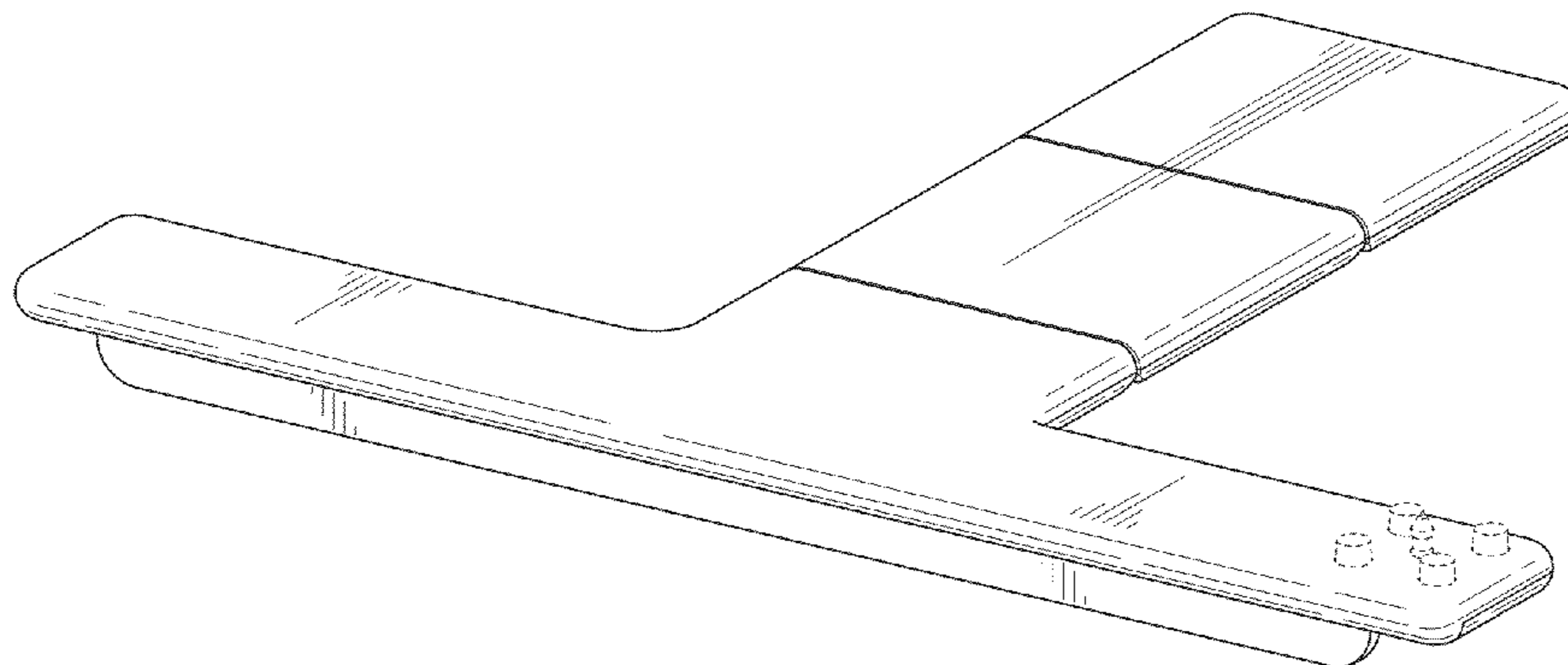
Primary Examiner — Susan B Hattan
Assistant Examiner — Vy Koenig
(74) *Attorney, Agent, or Firm* — Fishman Stewart Yamaguchi PLLC

(57) **CLAIM**
The ornamental design for a camera holder, as shown and described.

DESCRIPTION

FIG. 1 is a front, top, right perspective view of a camera holder showing my new design;
FIG. 2 is a front view thereof;
FIG. 3 is a rear view thereof;
FIG. 4 is a left side view thereof;
FIG. 5 is a right side view thereof;
FIG. 6 is a top view thereof; and,
FIG. 7 is a bottom view thereof.
The broken lines shown in the drawings depict unclaimed portions of the camera holder that form no part of the claimed design.

1 Claim, 5 Drawing Sheets



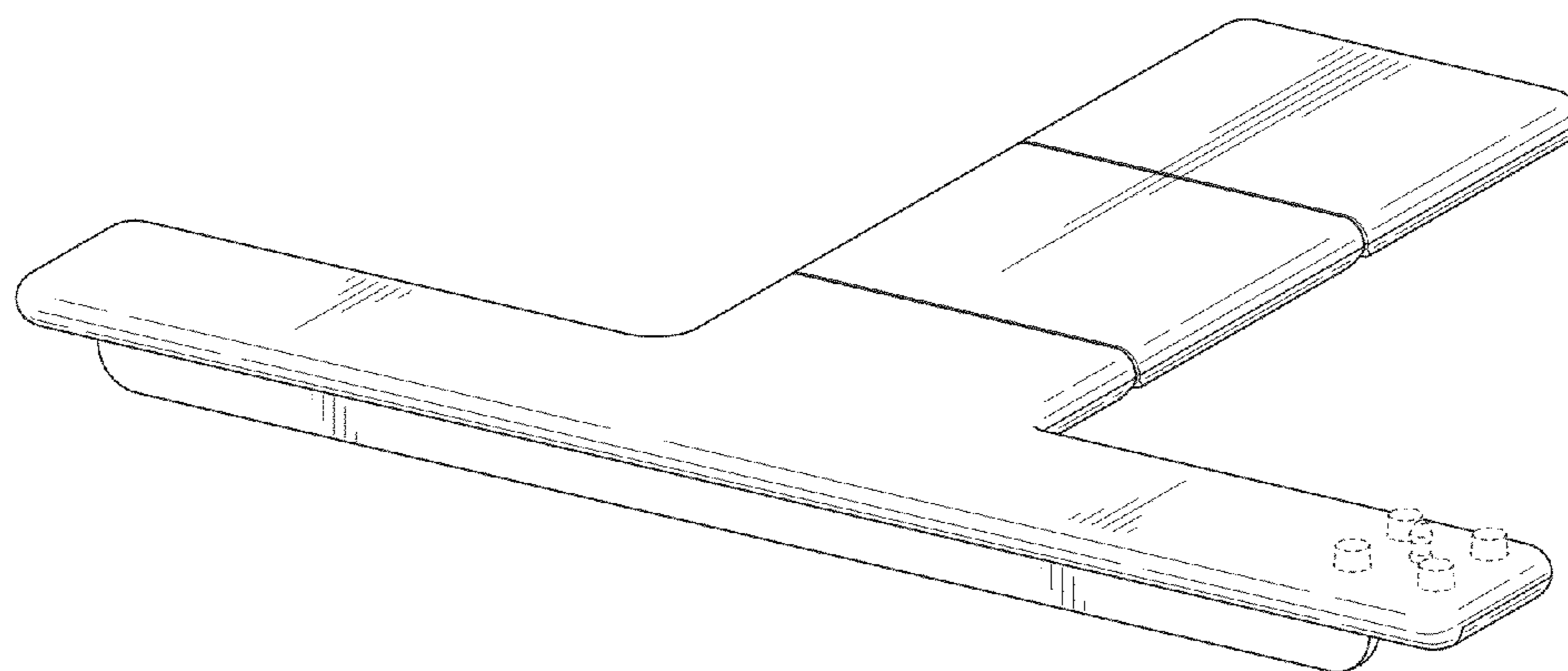


FIG. 1

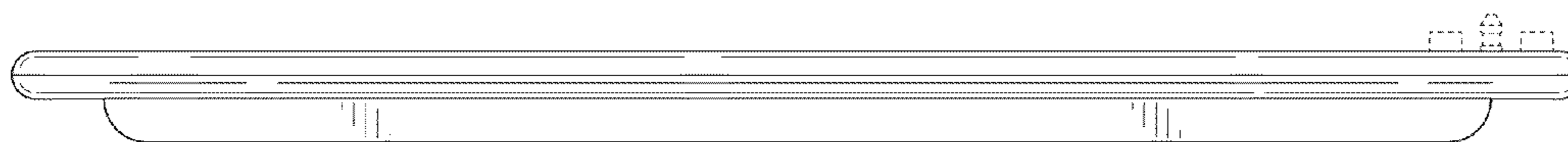


FIG. 2

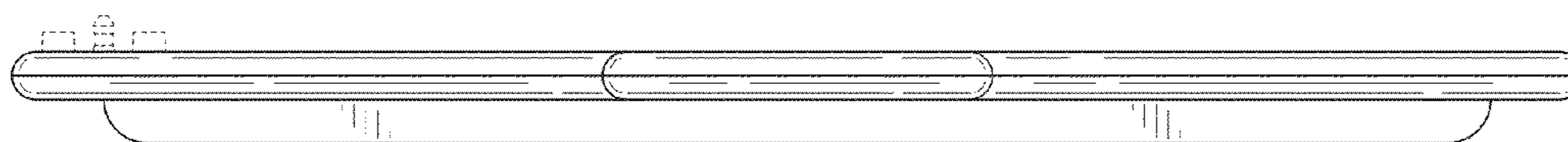


FIG. 3

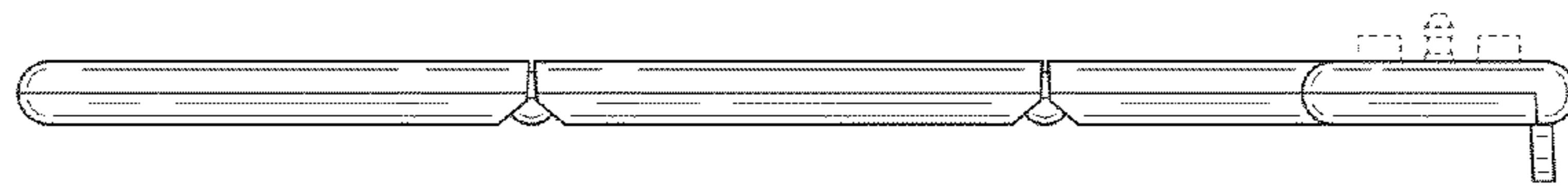


FIG. 4

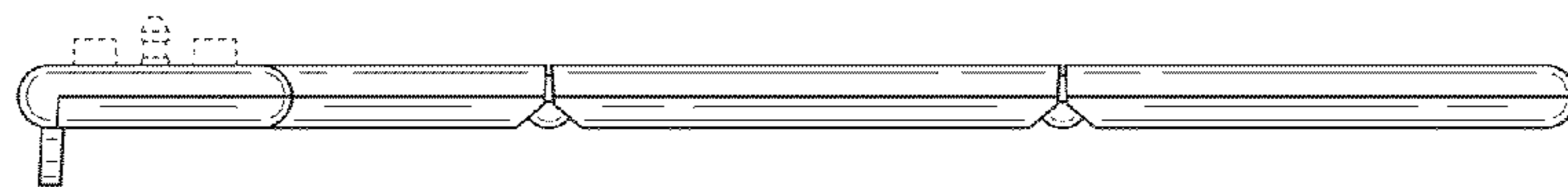


FIG. 5

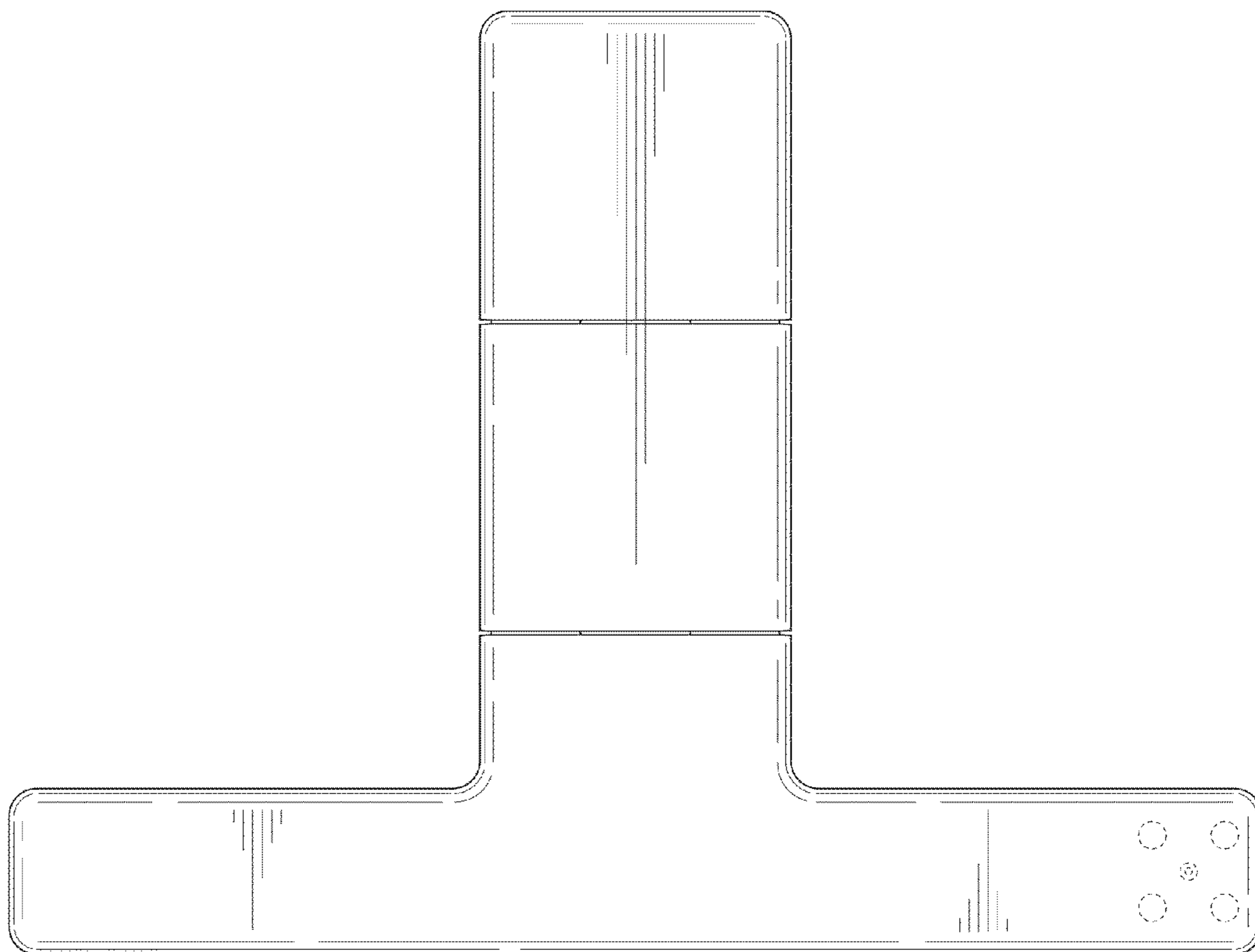


FIG. 6

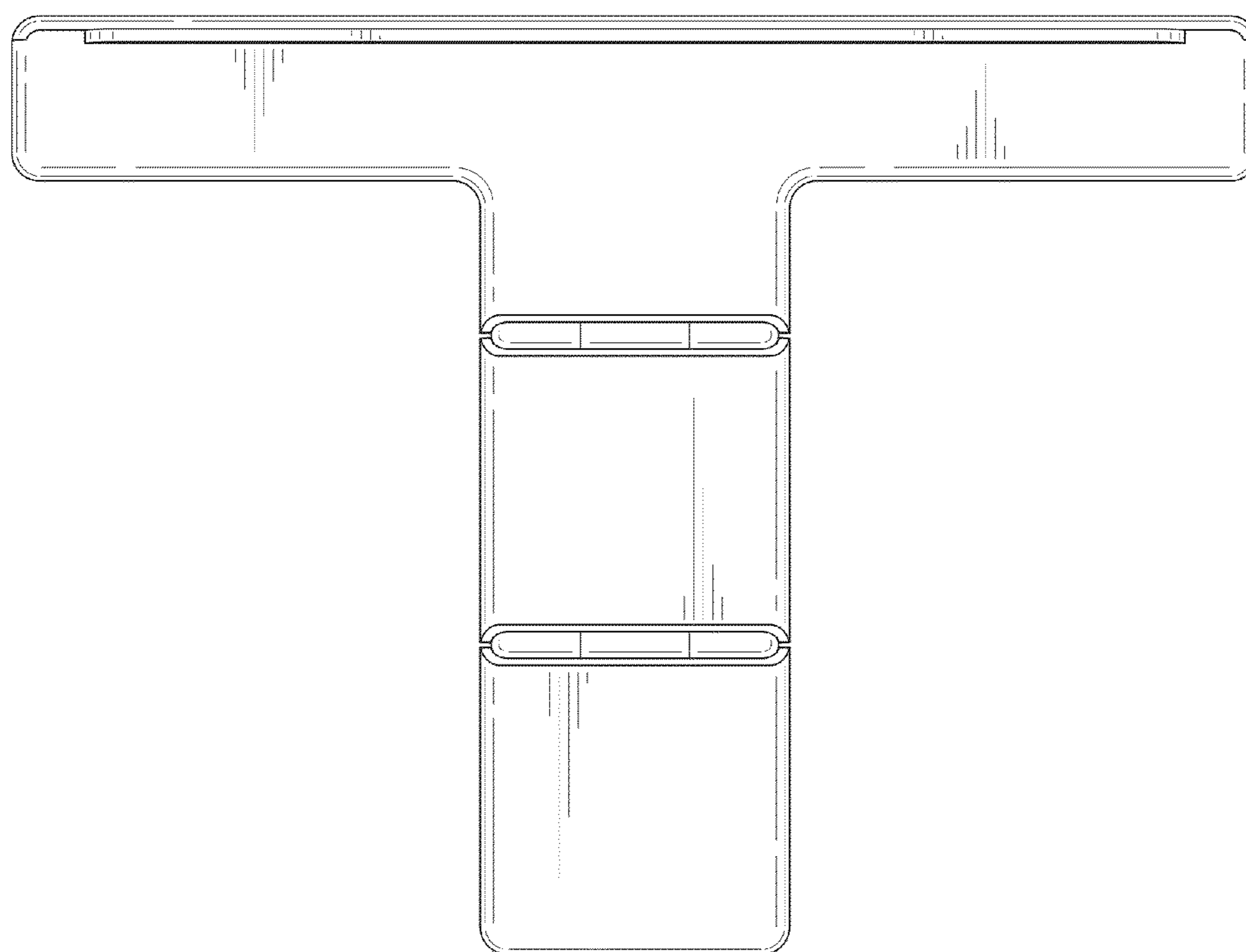


FIG. 7

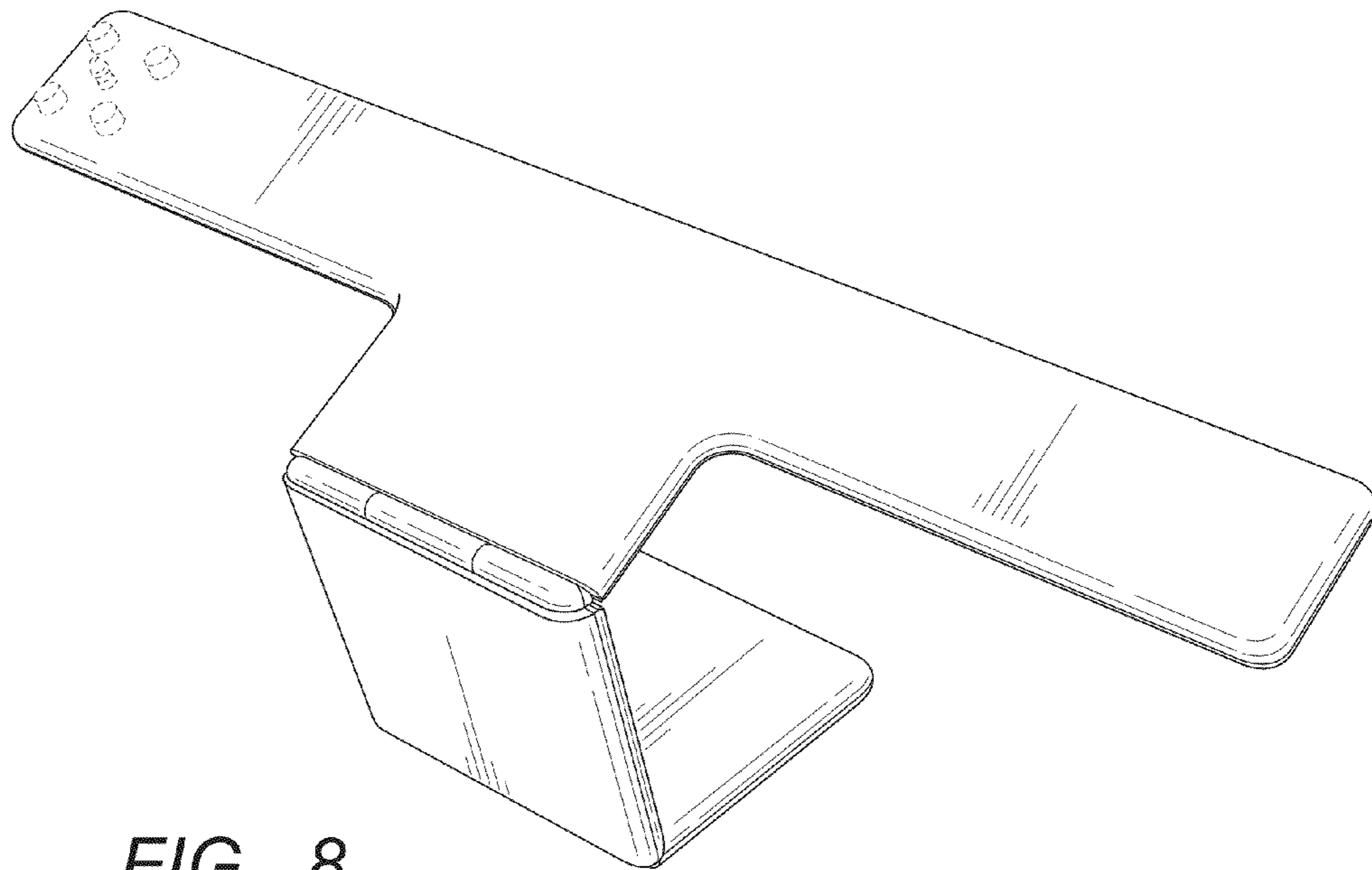


FIG. 8

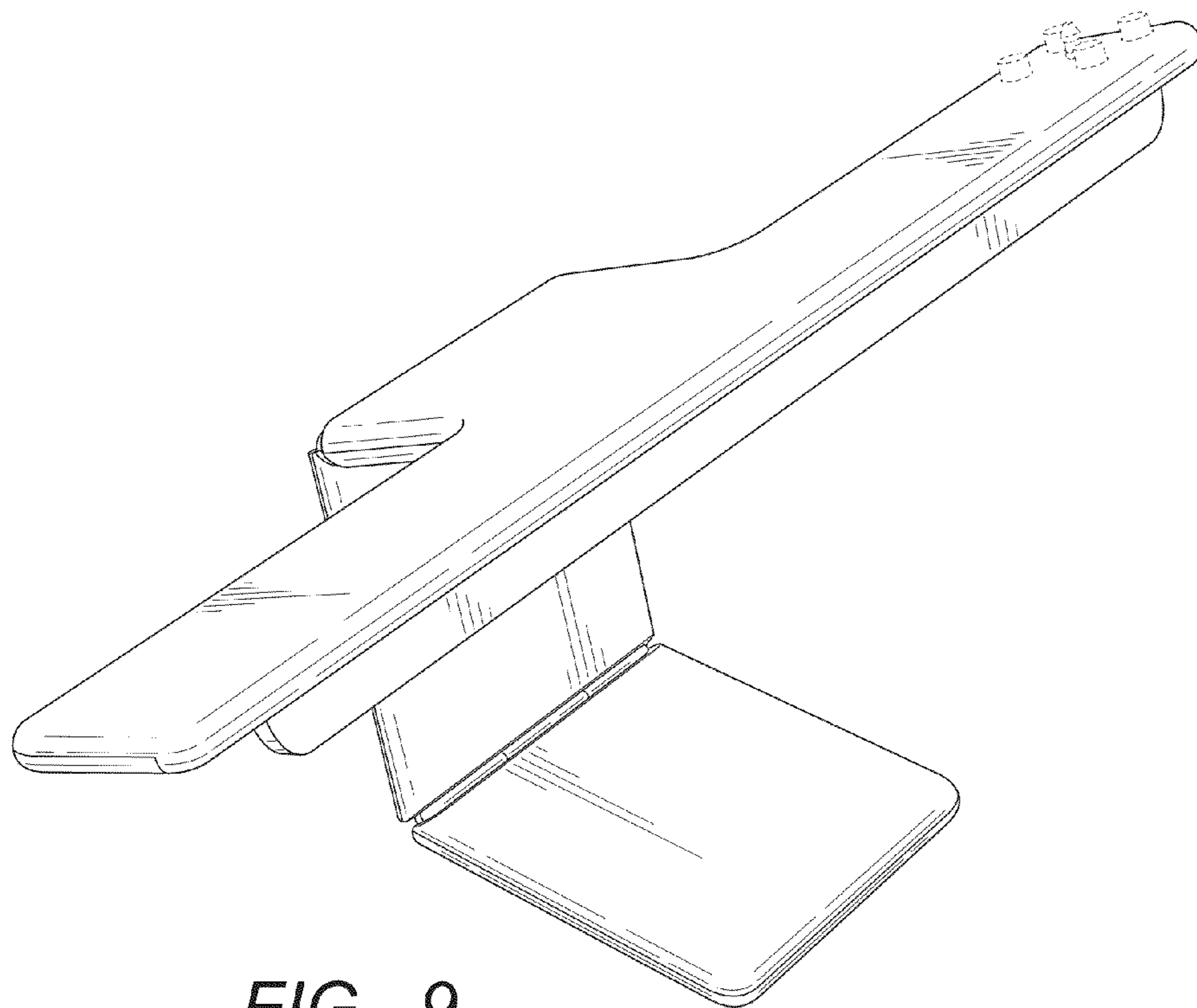


FIG. 9

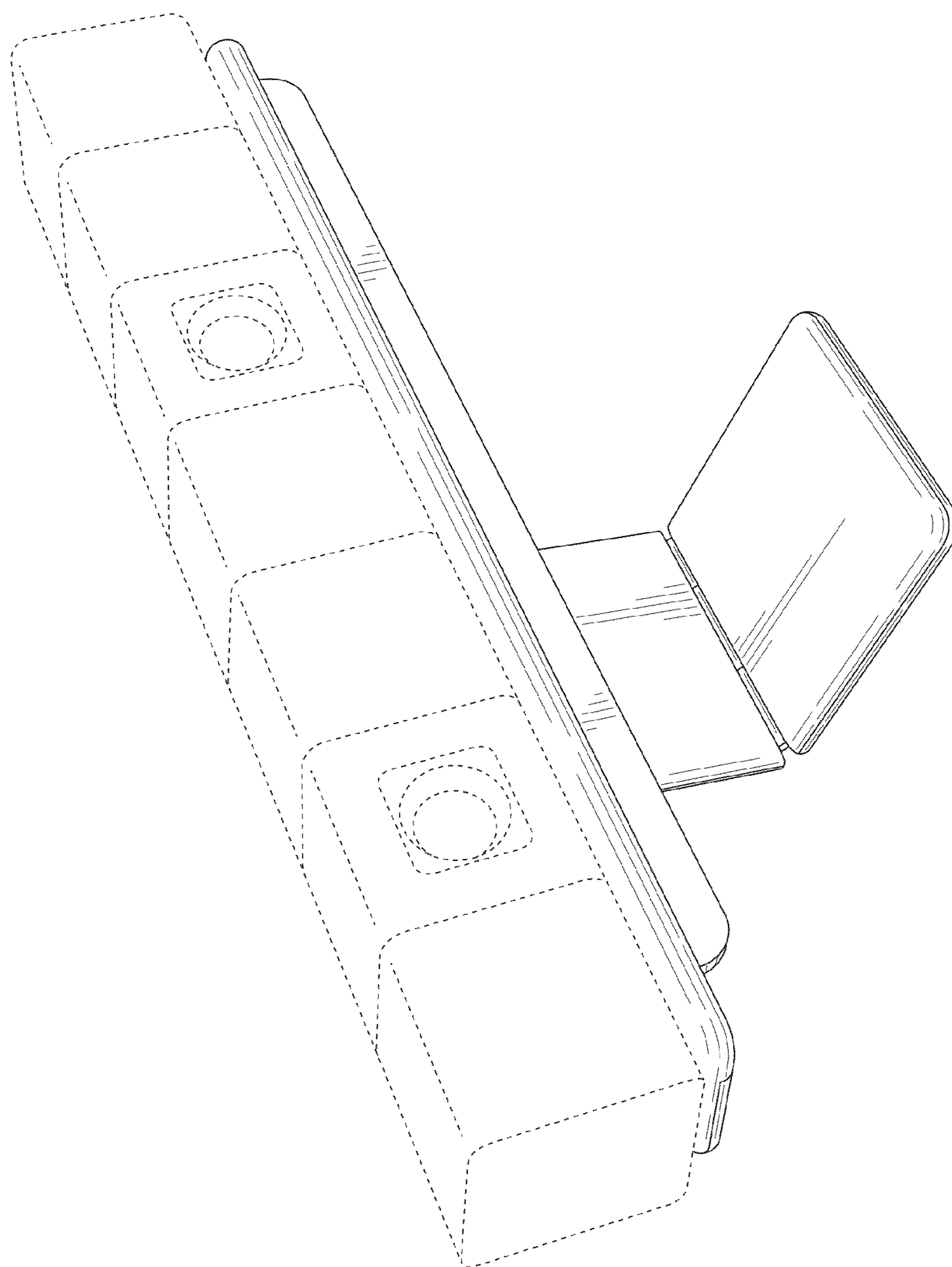


FIG. 10