

US00D732600S

(12) **United States Design Patent**
Lee et al.

(10) **Patent No.:** **US D732,600 S**
(45) **Date of Patent:** **** Jun. 23, 2015**

(54) **DIGITAL CAMERA**

(56) **References Cited**

(71) Applicant: **Samsung Electronics Co., Ltd.**,
Suwon-Si, Gyeonggi-Do (KR)
(72) Inventors: **Jooyeon Lee**, Seoul (KR); **Joohe**
Chung, Seoul (KR); **Youngkeun Lee**,
Seoul (KR); **Felix Heck**, Munich (DE)
(73) Assignee: **Samsung Electronics Co., Ltd.**,
Gyeonggi-do (KR)
(**) Term: **14 Years**

U.S. PATENT DOCUMENTS

D407,098	S	*	3/1999	Goto et al.	D16/202
D552,646	S	*	10/2007	Bai	D16/202
D555,688	S	*	11/2007	Yoo et al.	D16/202
D631,496	S	*	1/2011	Tainaka	D16/202
8,233,082	B2	*	7/2012	Yamamoto	348/375
D681,712	S	*	5/2013	Kim et al.	D16/202
D695,803	S	*	12/2013	Kyunghan et al.	D16/202
D695,808	S	*	12/2013	Takahashi	D16/202
D701,892	S	*	4/2014	Jang et al.	D16/202
D712,947	S	*	9/2014	Chai	D16/202
D712,948	S	*	9/2014	Chai	D16/202
D712,949	S	*	9/2014	Kwon et al.	D16/202
2013/0335623	A1	*	12/2013	Furuyama et al.	348/373

* cited by examiner

Primary Examiner — Adir Aronovich

Assistant Examiner — Ramzi Almatrahi

(74) *Attorney, Agent, or Firm* — Harness, Dickey & Pierce

(21) Appl. No.: **29/464,089**

(22) Filed: **Aug. 13, 2013**

(30) **Foreign Application Priority Data**

Feb. 14, 2013 (KR) 30-2013-0007668

(51) **LOC (10) Cl.** **16-05**

(52) **U.S. Cl.**
USPC **D16/219**

(58) **Field of Classification Search**
USPC D16/200, 202–206, 208, 218, 219;
348/373–376; 396/535, 539–541
CPC G03B 15/03; G03B 17/02; G03B 17/04;
G03B 17/56; G03B 19/04; H04N 5/2251;
H04N 5/2252; H04N 5/2253; H04N 5/2254;
H04N 2101/00

See application file for complete search history.

(57) **CLAIM**

The ornamental design for a digital camera, as shown and described.

DESCRIPTION

FIG. 1 is a front perspective view of a digital camera showing our new design;
FIG. 2 is a front elevational view thereof;
FIG. 3 is a rear elevational view thereof;
FIG. 4 is a left-side elevational view thereof;
FIG. 5 is a right-side elevational view thereof;
FIG. 6 is a top plan view thereof; and,
FIG. 7 is a bottom plan view thereof.

The broken lines depict portions of the digital camera in which the design is embodied and form no part of the claimed design. Additionally, the dash-dot lines denote the boundary of the claim and form no part of the claimed design.

1 Claim, 6 Drawing Sheets

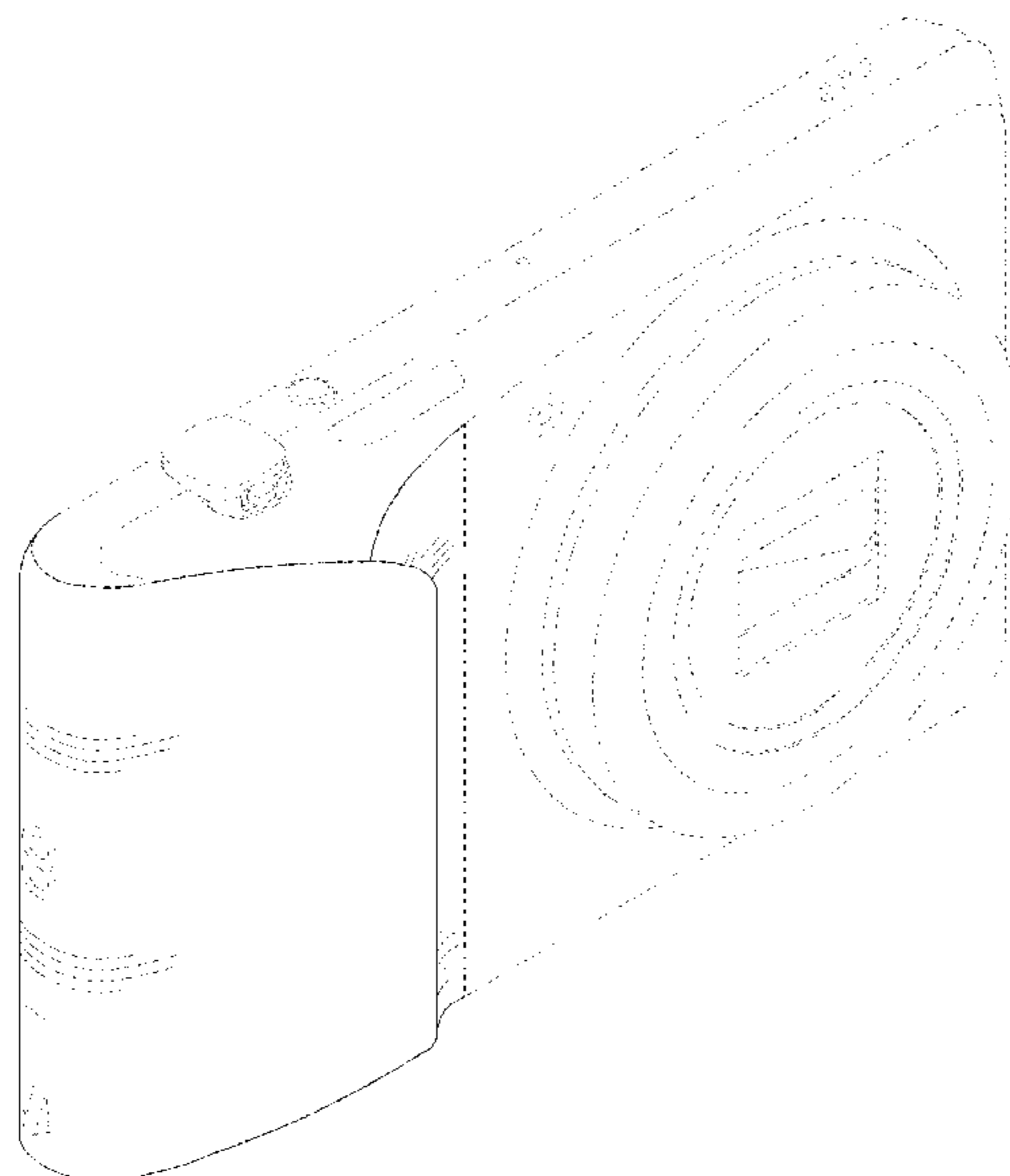


FIG. 1

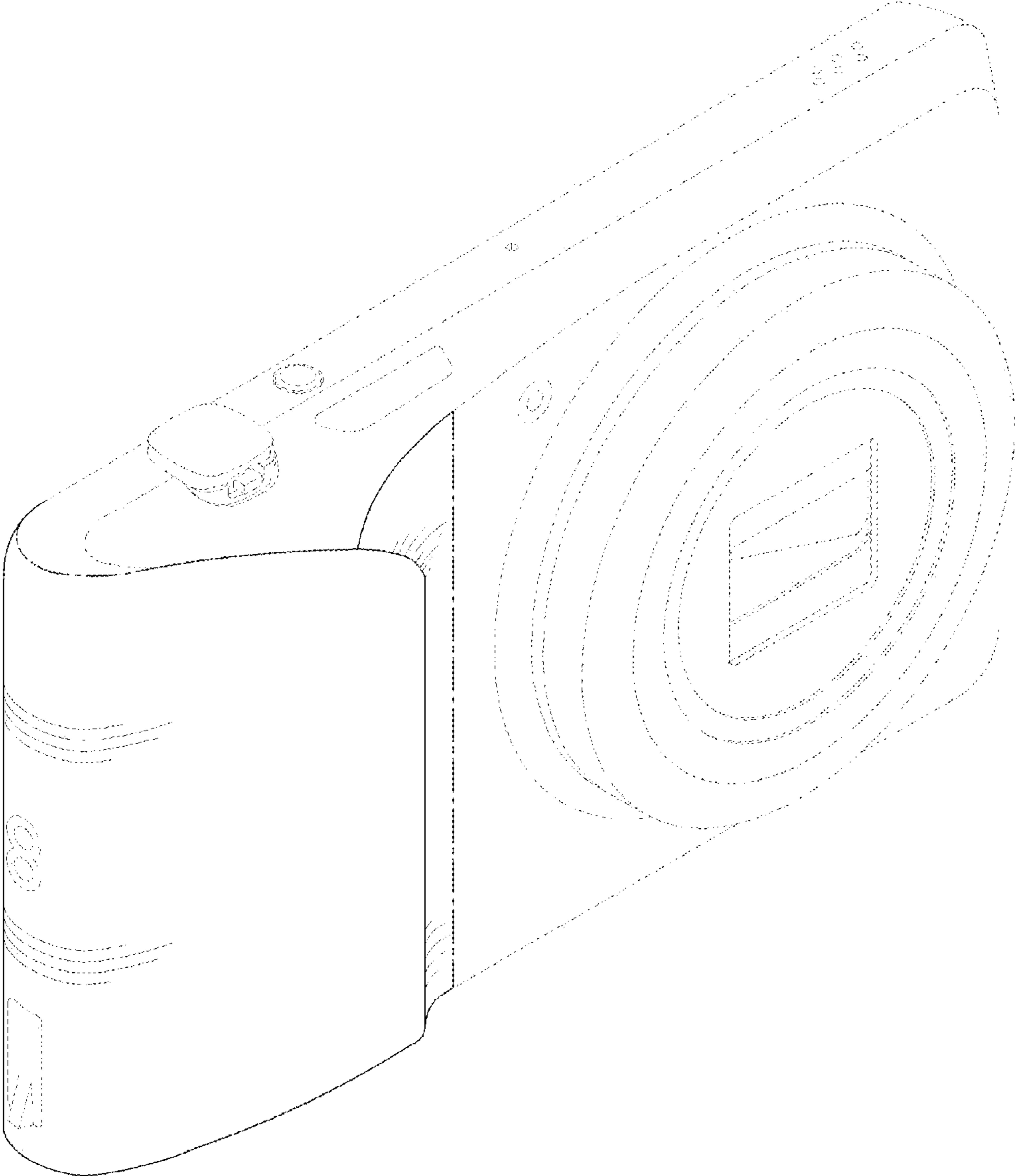


FIG. 2

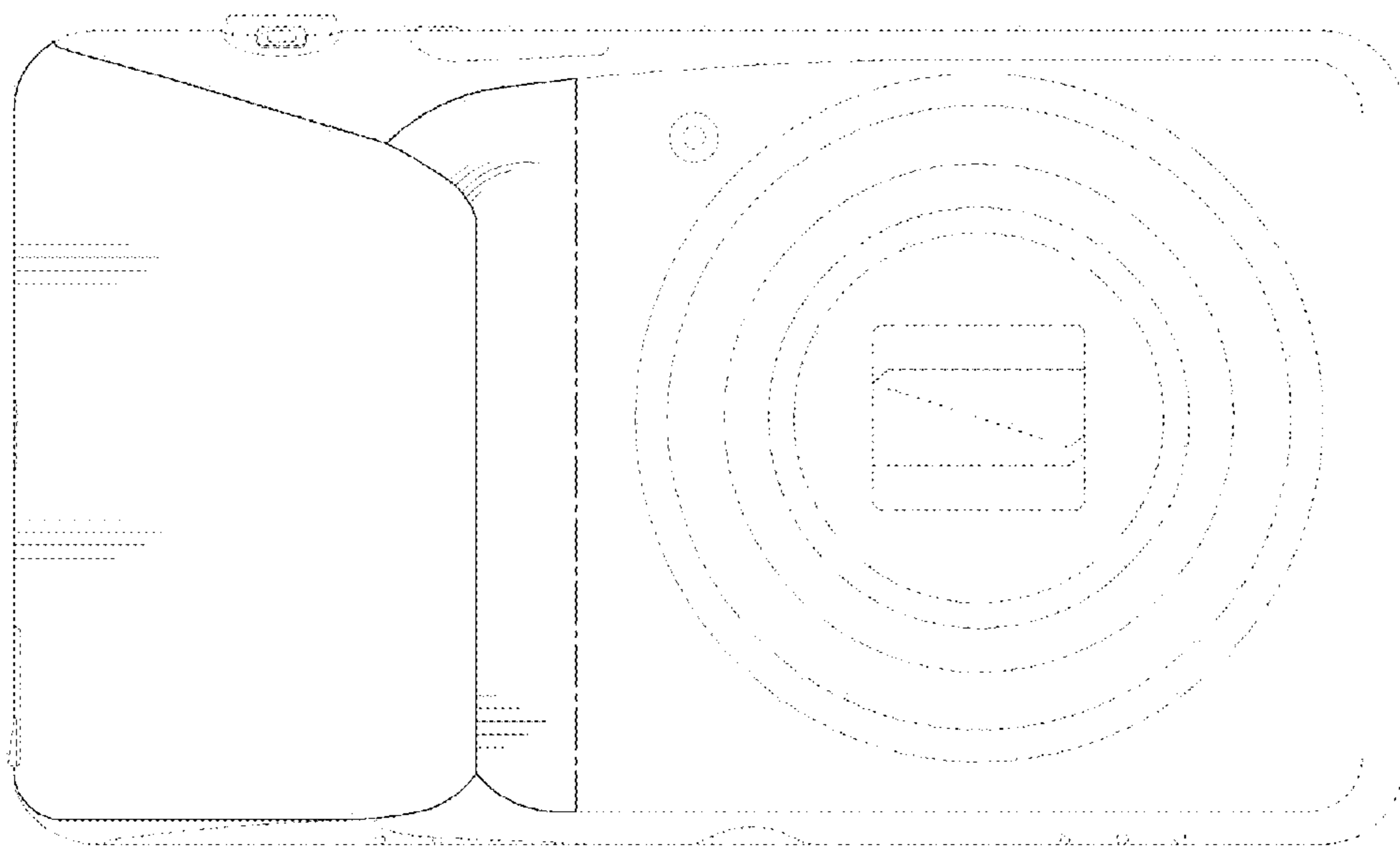


FIG. 3



FIG. 4

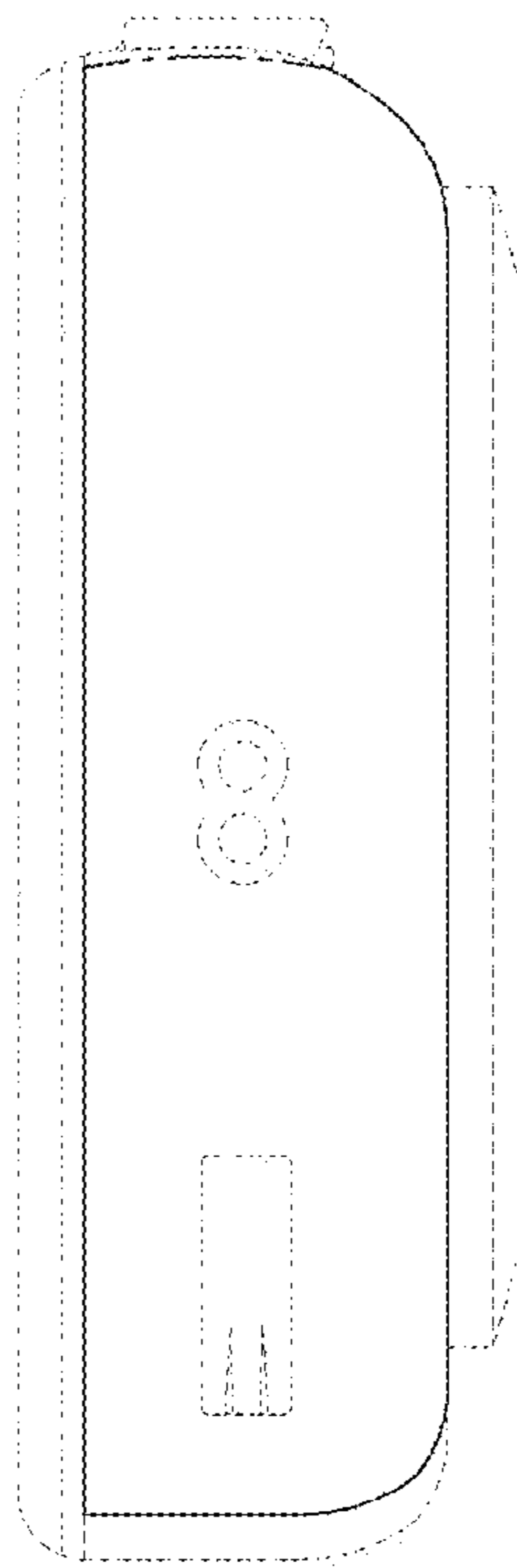


FIG. 5

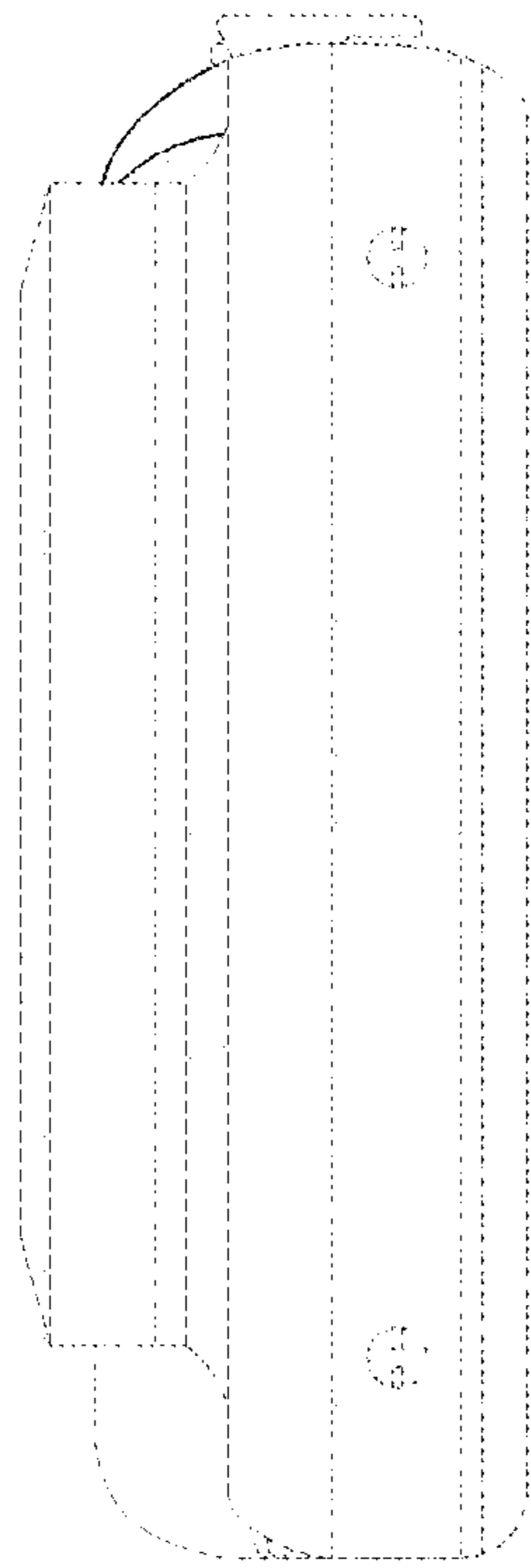


FIG. 6

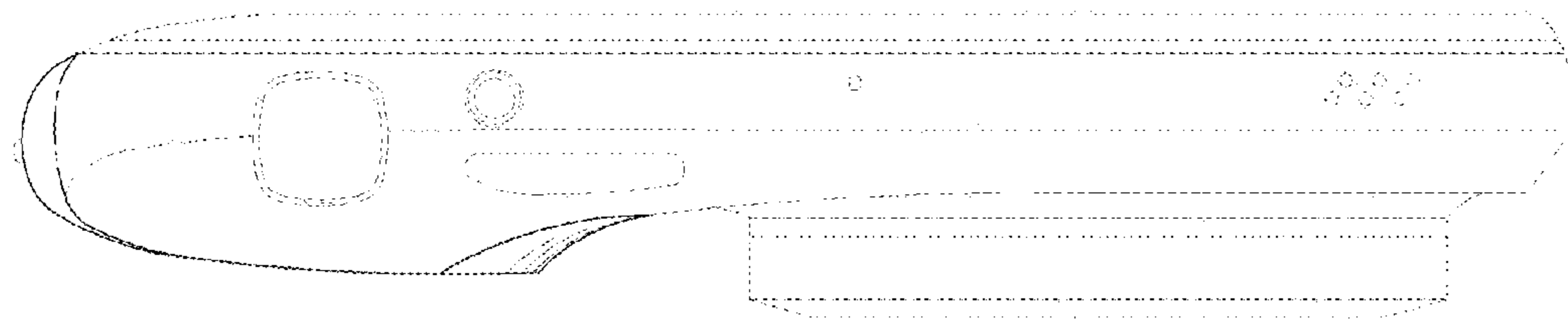


FIG. 7

