



US00D732596S

(12) **United States Design Patent**  
**Wang et al.**

(10) **Patent No.:** **US D732,596 S**  
(45) **Date of Patent:** **\*\* Jun. 23, 2015**

(54) **SECURITY CAMERA**

(71) Applicant: **Pelco, Inc.**, Clovis, CA (US)

(72) Inventors: **Li Wang**, Shanghai (CN); **Leihong Zheng**, Shanghai (CN)

(73) Assignee: **Pelco, Inc.**, Clovis, CA (US)

(\*\*) Term: **14 Years**

(21) Appl. No.: **29/443,454**

(22) Filed: **Jan. 17, 2013**

(30) **Foreign Application Priority Data**

Jul. 18, 2012 (CN) ..... 2012 3 0322726

(51) **LOC (10) Cl.** ..... **16-01**

(52) **U.S. Cl.**  
USPC ..... **D16/203**

(58) **Field of Classification Search**

USPC ..... D10/106.6, 106.8, 106.9, 109.1, 109.2;  
D16/134, 136, 200, 202–206, 218, 219,  
D16/242; 348/143, 148, 151, 373–376;  
396/419, 427, 535, 539–541  
CPC ..... G03B 17/02; G03B 19/04; G03B 17/56;  
G03B 17/04; G03B 15/03; H04N 5/2251;  
H04N 5/2252; H04N 5/2253; H04N 5/2254;  
H04N 7/181; H04N 7/183; H04N 7/18;  
G08B 13/1963; G08B 13/19619; G08B  
13/19632; F16M 11/04; F16M 13/00

See application file for complete search history.

(56) **References Cited**

U.S. PATENT DOCUMENTS

D277,739	S	*	2/1985	Grammas et al.	.....	D10/109.2
D635,172	S	*	3/2011	Ko	.....	D16/203
D661,719	S	*	6/2012	Katori et al.	.....	D16/203
D666,660	S	*	9/2012	Amit et al.	.....	D16/203
D684,619	S	*	6/2013	Chapple et al.	.....	D16/203
D691,500	S	*	10/2013	Ryan et al.	.....	D10/70
8,727,644	B2		5/2014	Wong et al.		
2010/0067898	A1	*	3/2010	Arbuckle et al.	.....	396/535
2011/0286735	A1	*	11/2011	Tremblay	.....	396/427

\* cited by examiner

*Primary Examiner* — Philip S Hyder

*Assistant Examiner* — Ramzi Almatrahi

(74) *Attorney, Agent, or Firm* — Hamilton Brook Smith & Reynolds, P.C.

(57) **CLAIM**

The ornamental design for a security camera, as shown and described.

**DESCRIPTION**

FIG. 1 is the front view of a security camera embodying the new design.

FIG. 2 is the rear view of the security camera.

FIG. 3 is the left side view of the security camera.

FIG. 4 is the right side of the security camera.

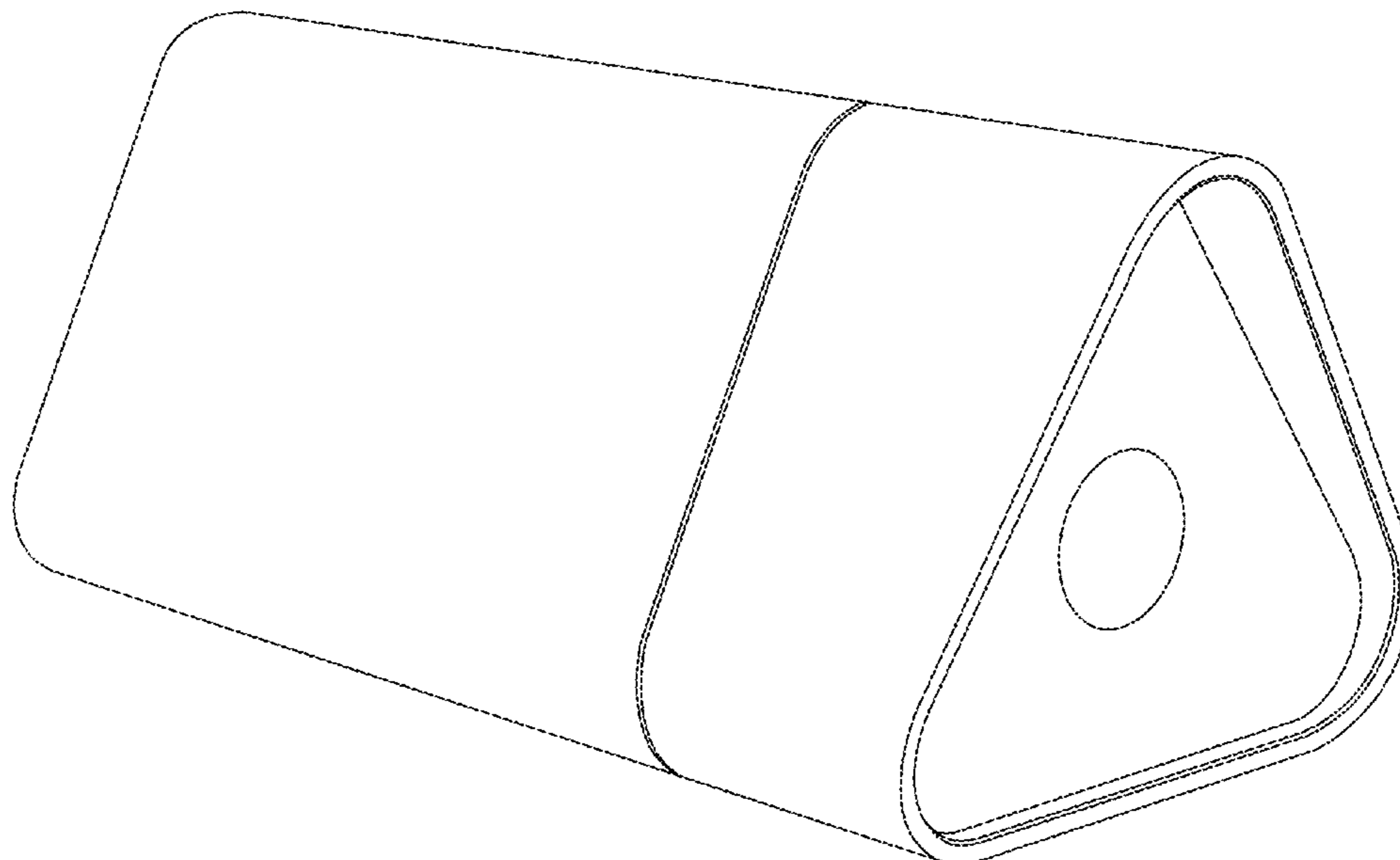
FIG. 5 is the top plan view of the security camera.

FIG. 6 is the bottom view of the security camera; and,

FIG. 7 is the perspective view of the security camera.

The broken lines depict portions of the security camera in which the design is embodied that form no part of the claimed design.

**1 Claim, 7 Drawing Sheets**



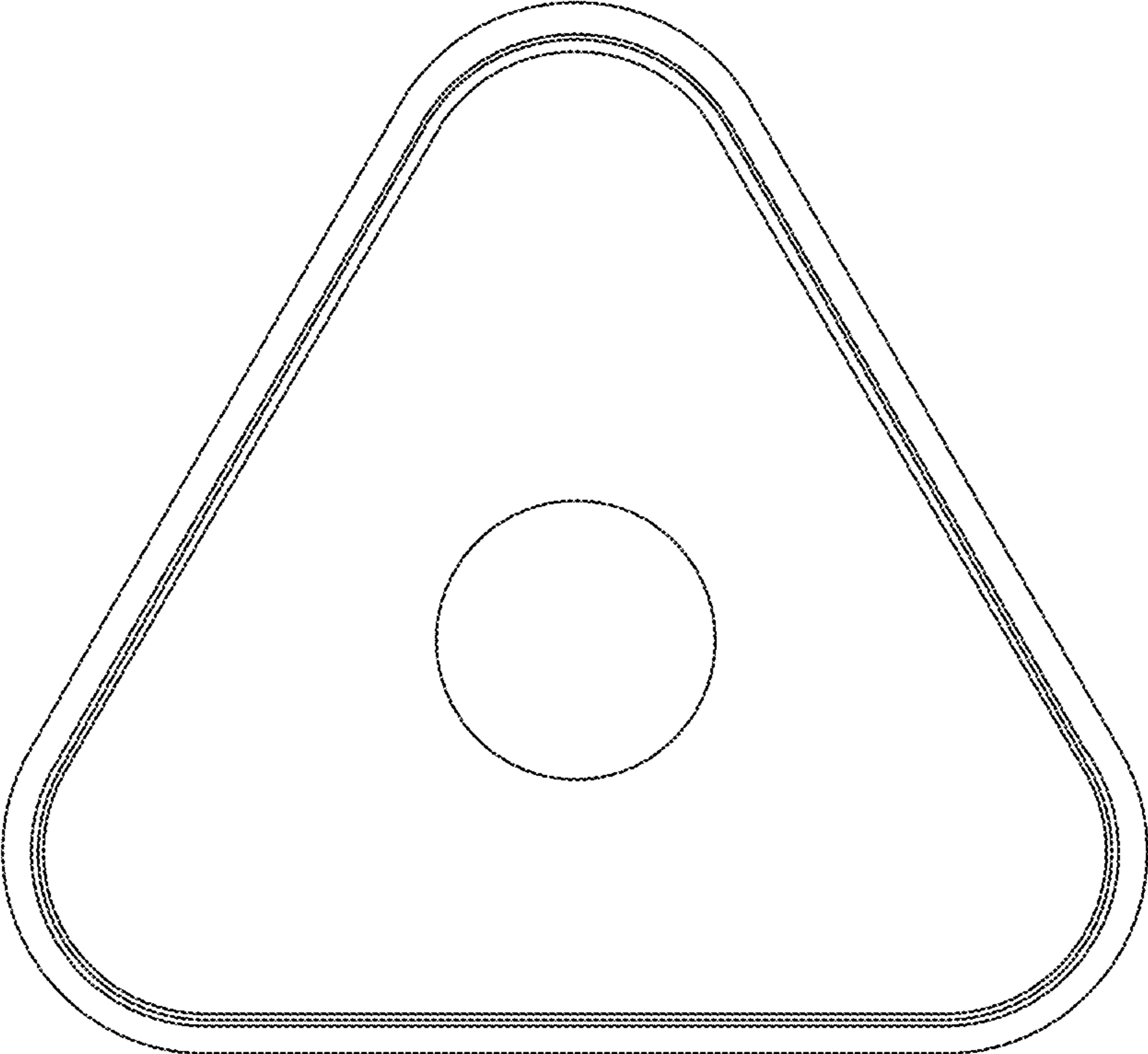


FIG. 1

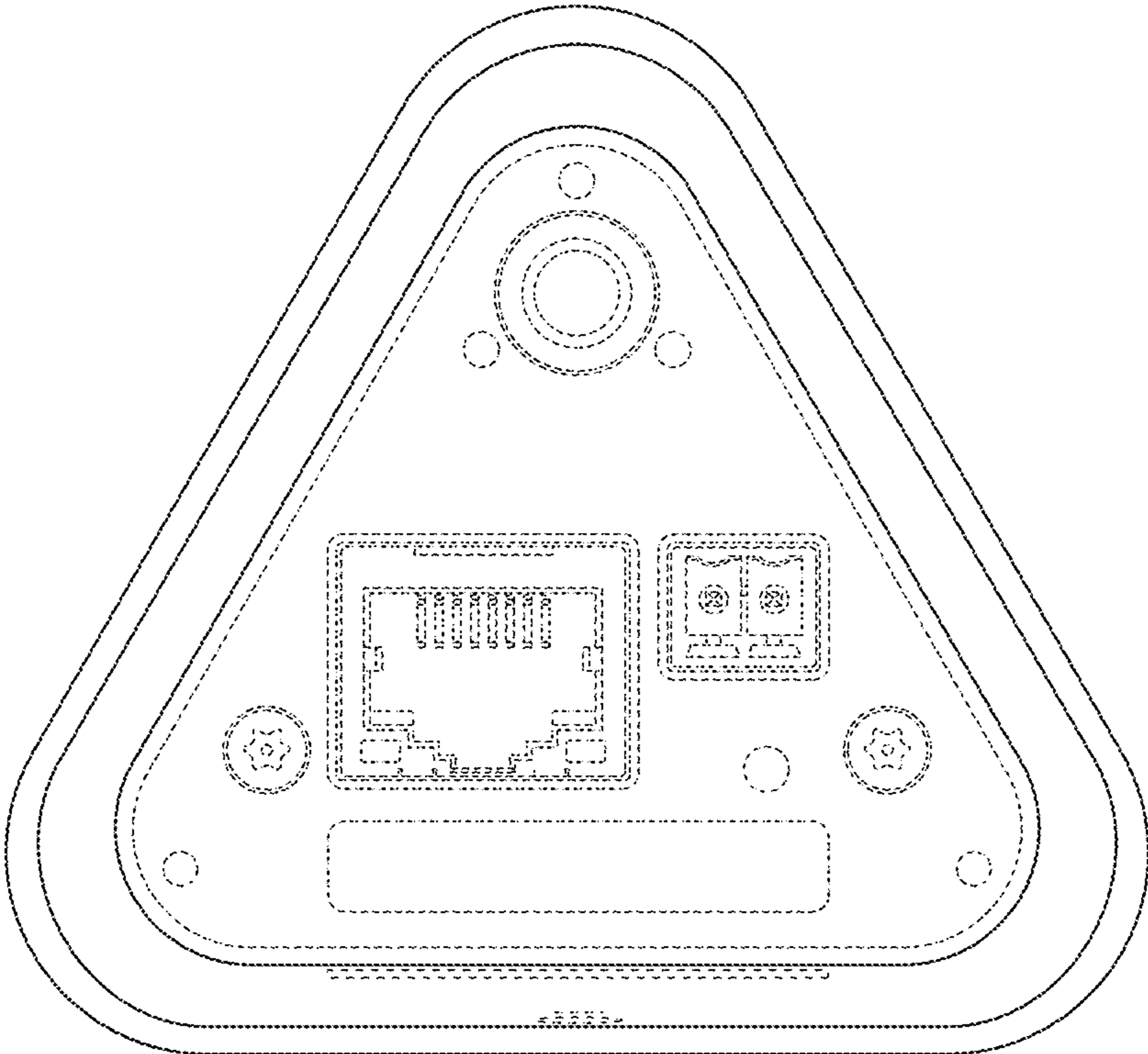


FIG. 2

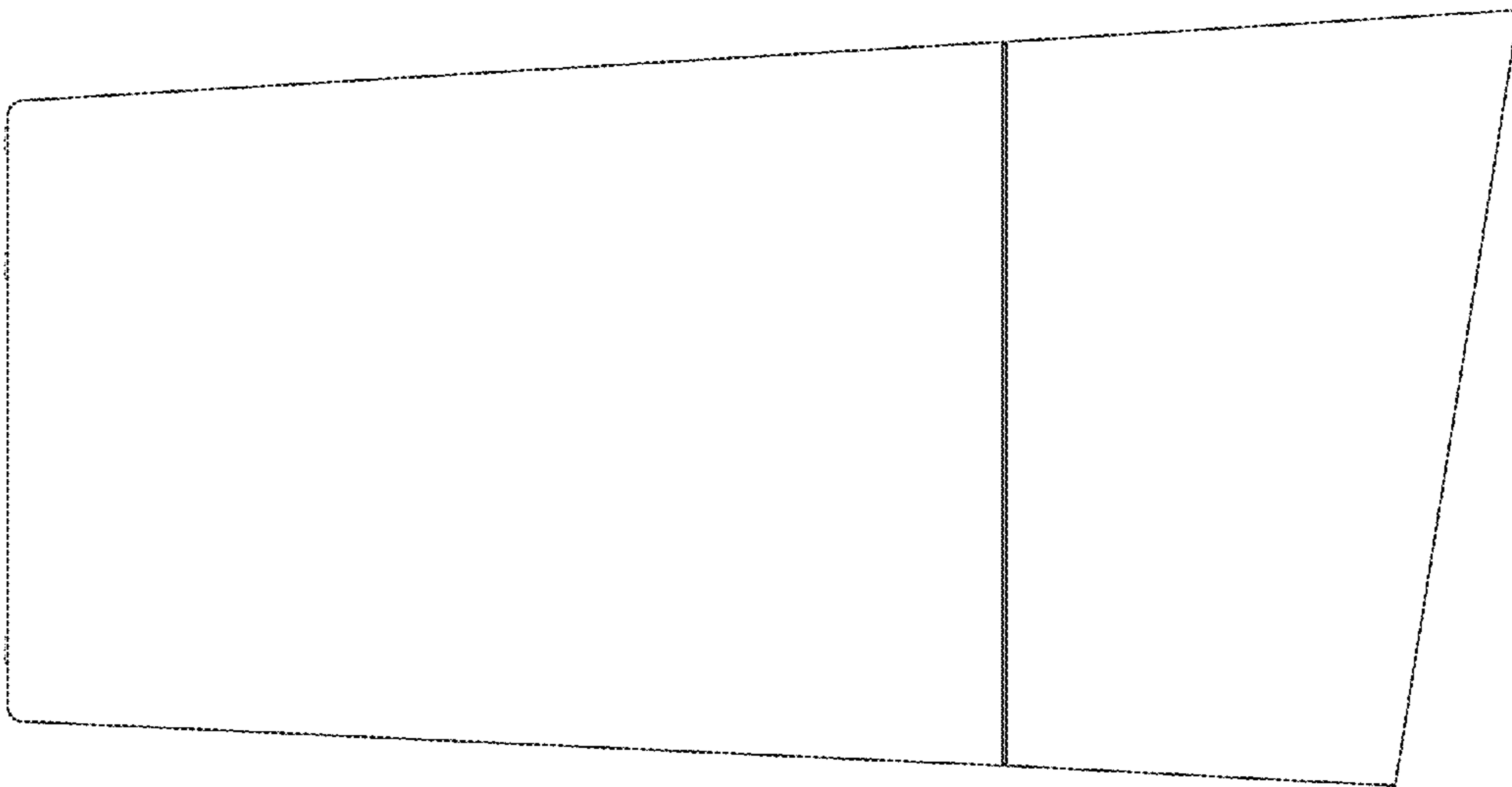


FIG. 3

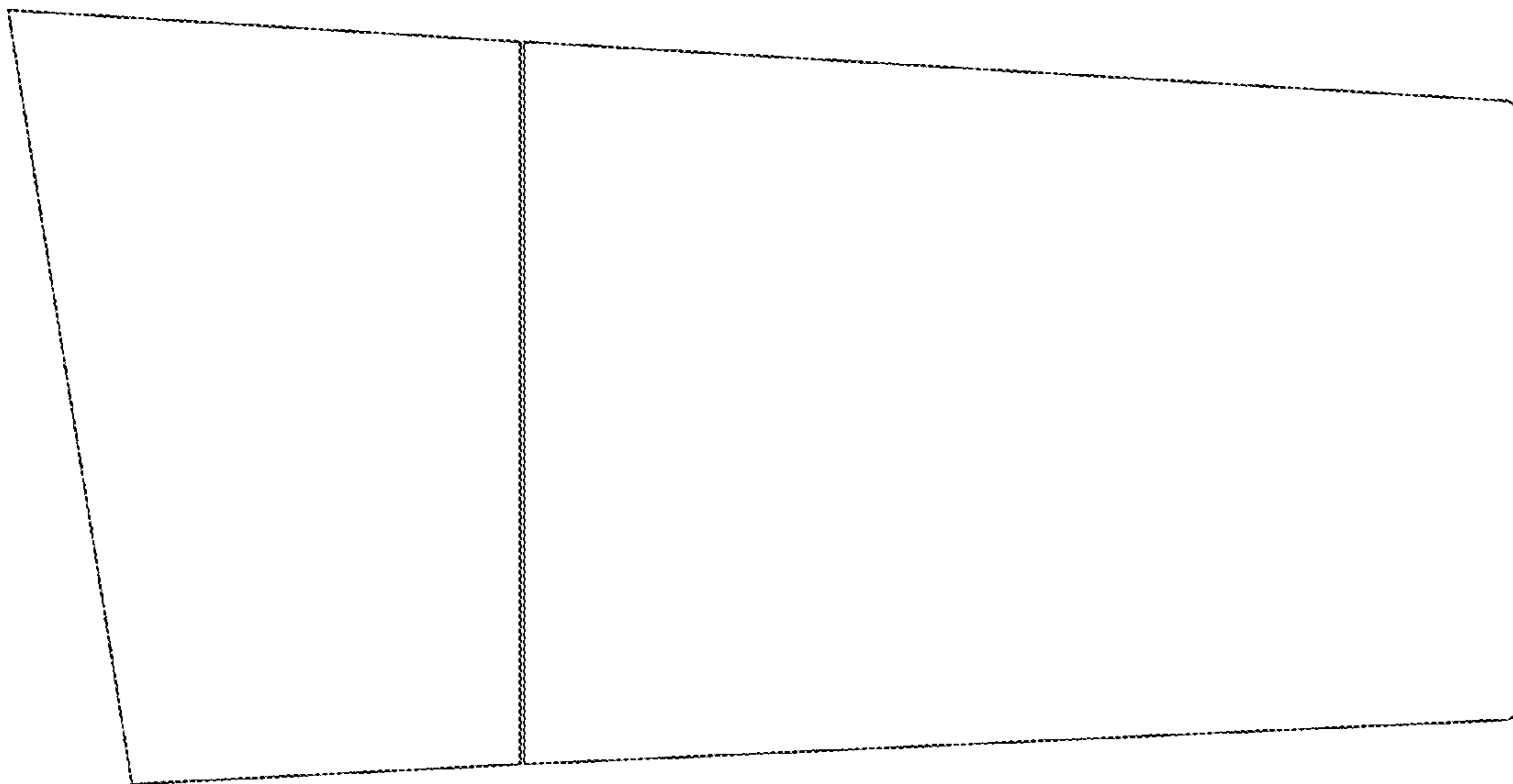


FIG. 4

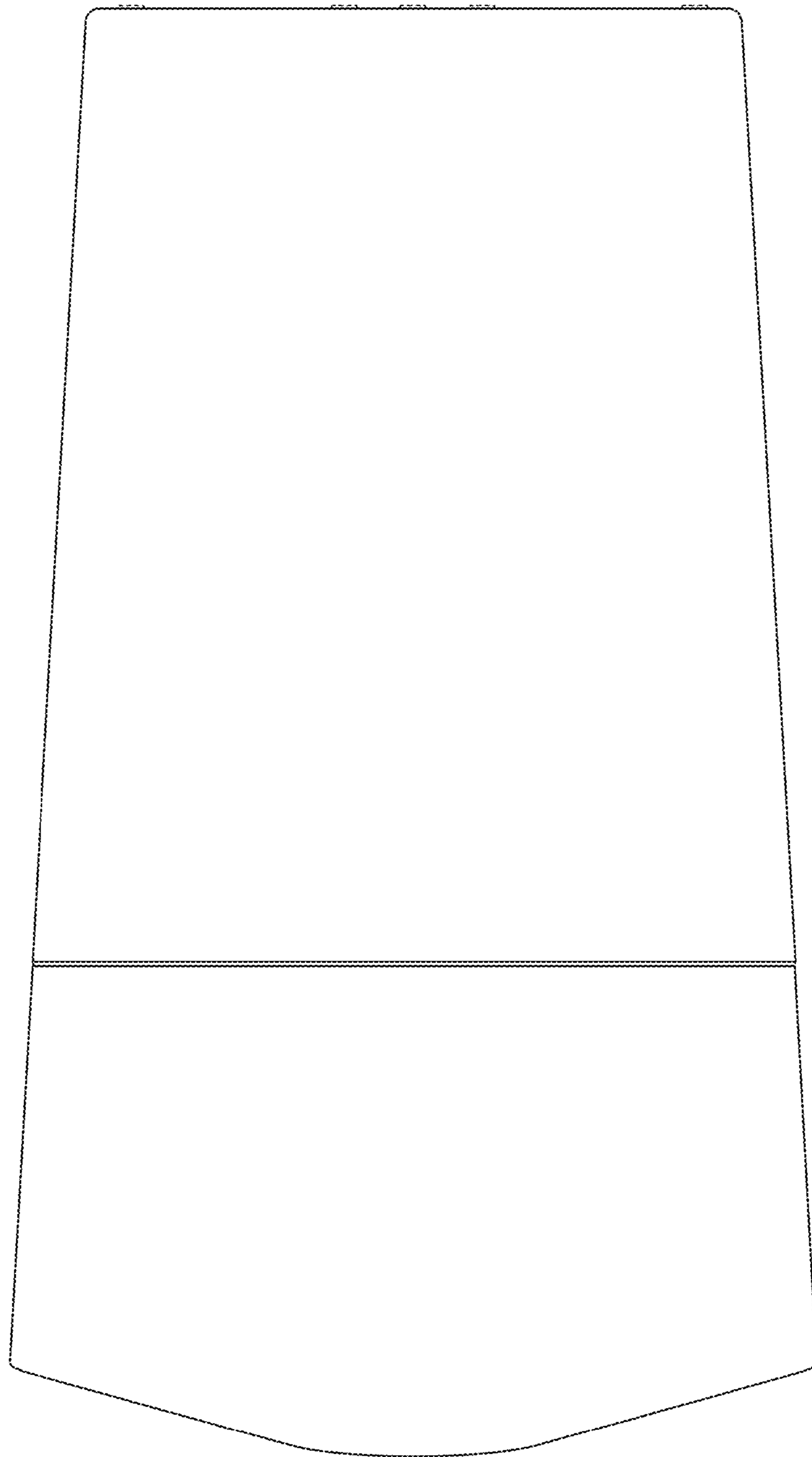


FIG. 5

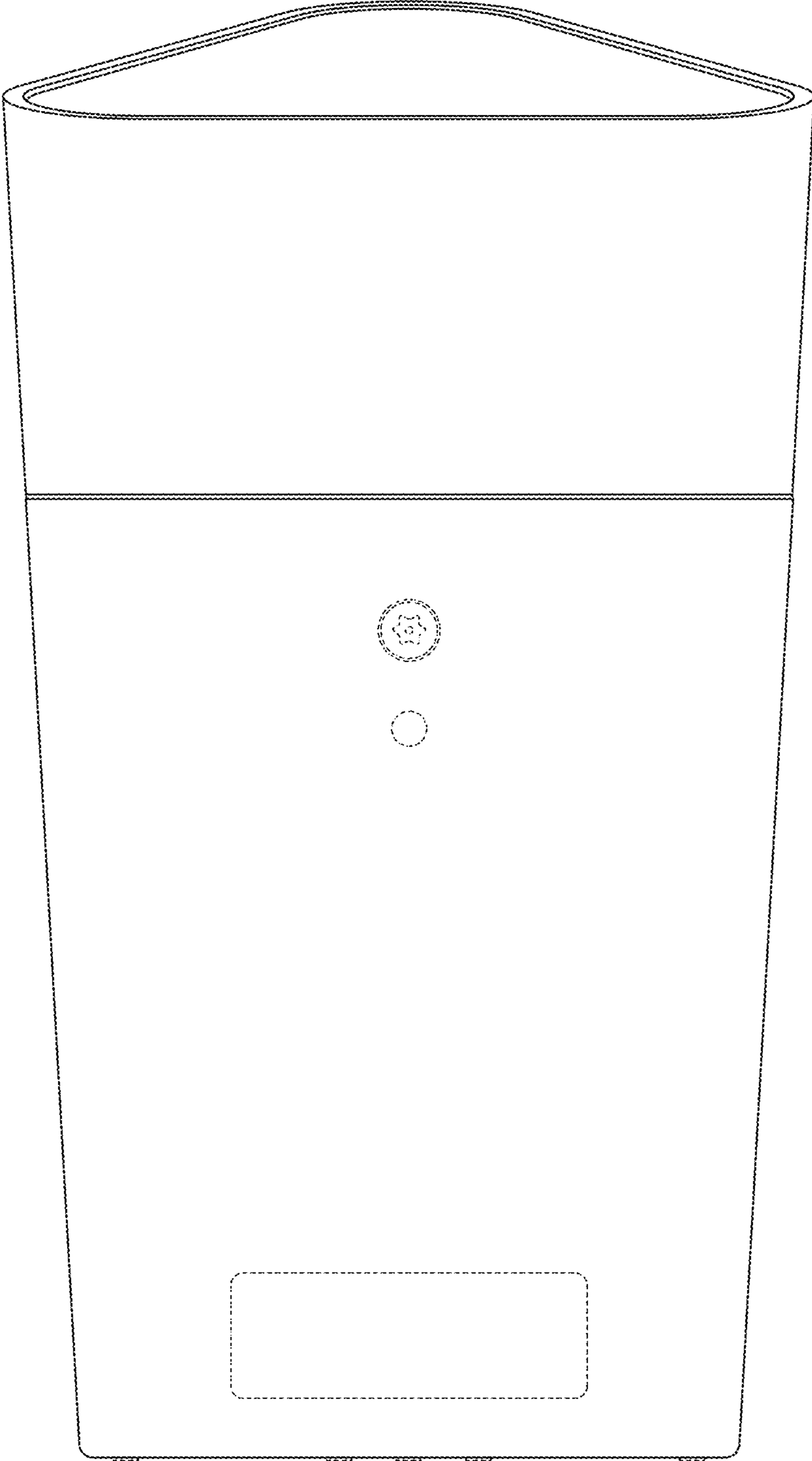


FIG. 6

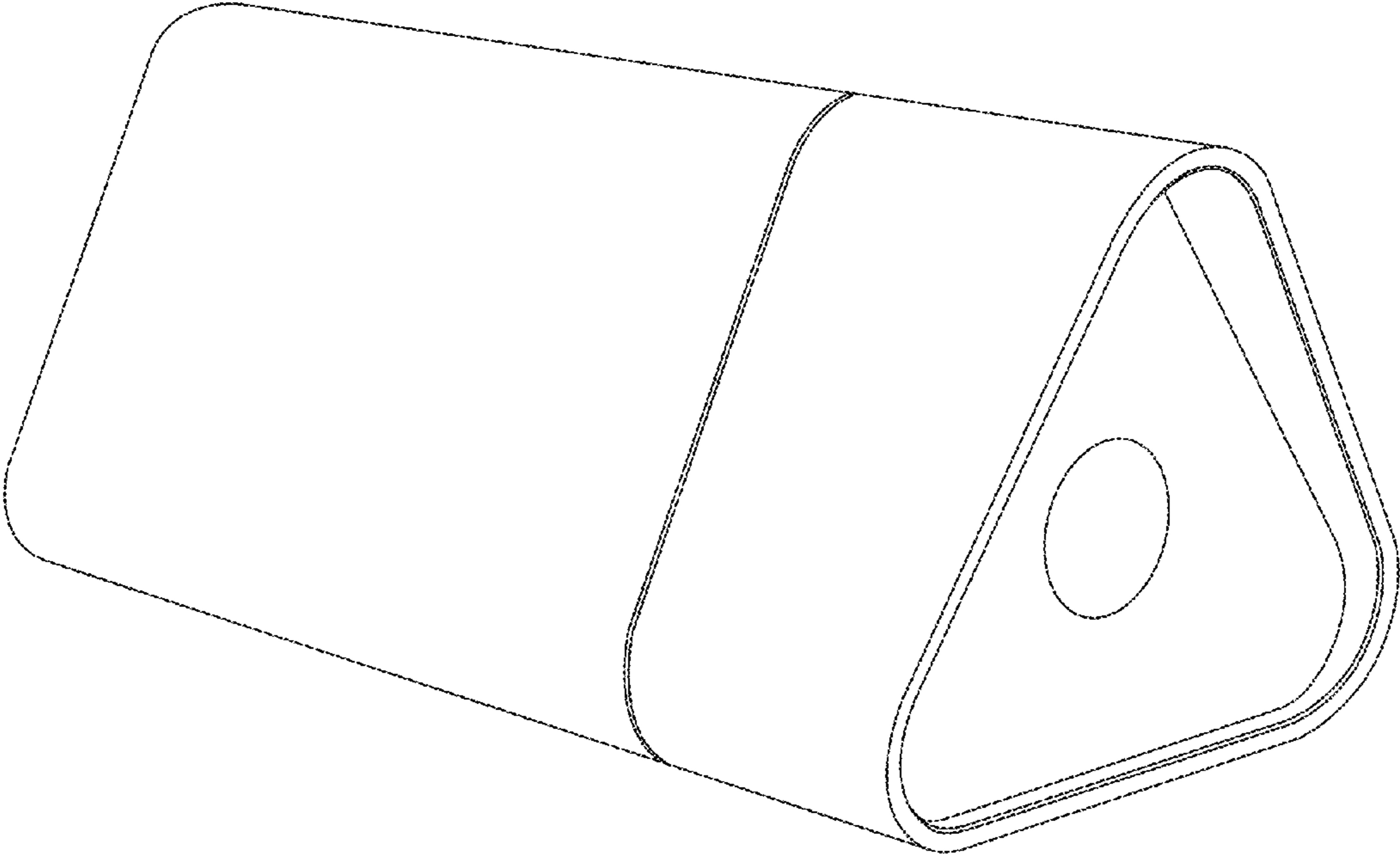


FIG. 7