



US00D732594S

(12) **United States Design Patent**
Kawa et al.

(10) **Patent No.:** **US D732,594 S**
(45) **Date of Patent:** **** Jun. 23, 2015**

(54) **CAMERA**
(71) Applicants: **Toshihiko Kawa**, Ohta-ku (JP); **Hiroshi Morohoshi**, Ohta-ku (JP)
(72) Inventors: **Toshihiko Kawa**, Ohta-ku (JP); **Hiroshi Morohoshi**, Ohta-ku (JP)
(73) Assignee: **RICOH COMPANY, LTD.**, Tokyo (JP)

D467,259 S * 12/2002 Hung et al. D16/218
D479,850 S * 9/2003 Zuang D16/202
D576,654 S * 9/2008 Kim et al. D16/218
D614,683 S * 4/2010 Oikawa et al. D16/206
D617,821 S * 6/2010 Kaplan et al. D16/202
D618,264 S * 6/2010 Chang et al. D16/202
D620,037 S * 7/2010 Kim et al. D16/211
D641,771 S * 7/2011 Sasaki et al. D16/202
D642,882 S * 8/2011 Lane D8/29
D659,732 S * 5/2012 Kim et al. D16/202
D663,343 S * 7/2012 Choi D16/202

(**) Term: **14 Years**
(21) Appl. No.: **29/456,810**
(22) Filed: **Jun. 4, 2013**

* cited by examiner

Primary Examiner — Randall Gholson
(74) *Attorney, Agent, or Firm* — Oblon, McClelland, Maier & Neustadt, L.L.P.

(30) **Foreign Application Priority Data**
Feb. 12, 2013 (JP) 2013-002668
(51) **LOC (10) Cl.** **16-01**
(52) **U.S. Cl.**
USPC **D16/202**
(58) **Field of Classification Search**
USPC D16/200–204, 208, 218; 348/373–376;
358/909.1; 396/535–541
CPC H04N 2100/00
See application file for complete search history.

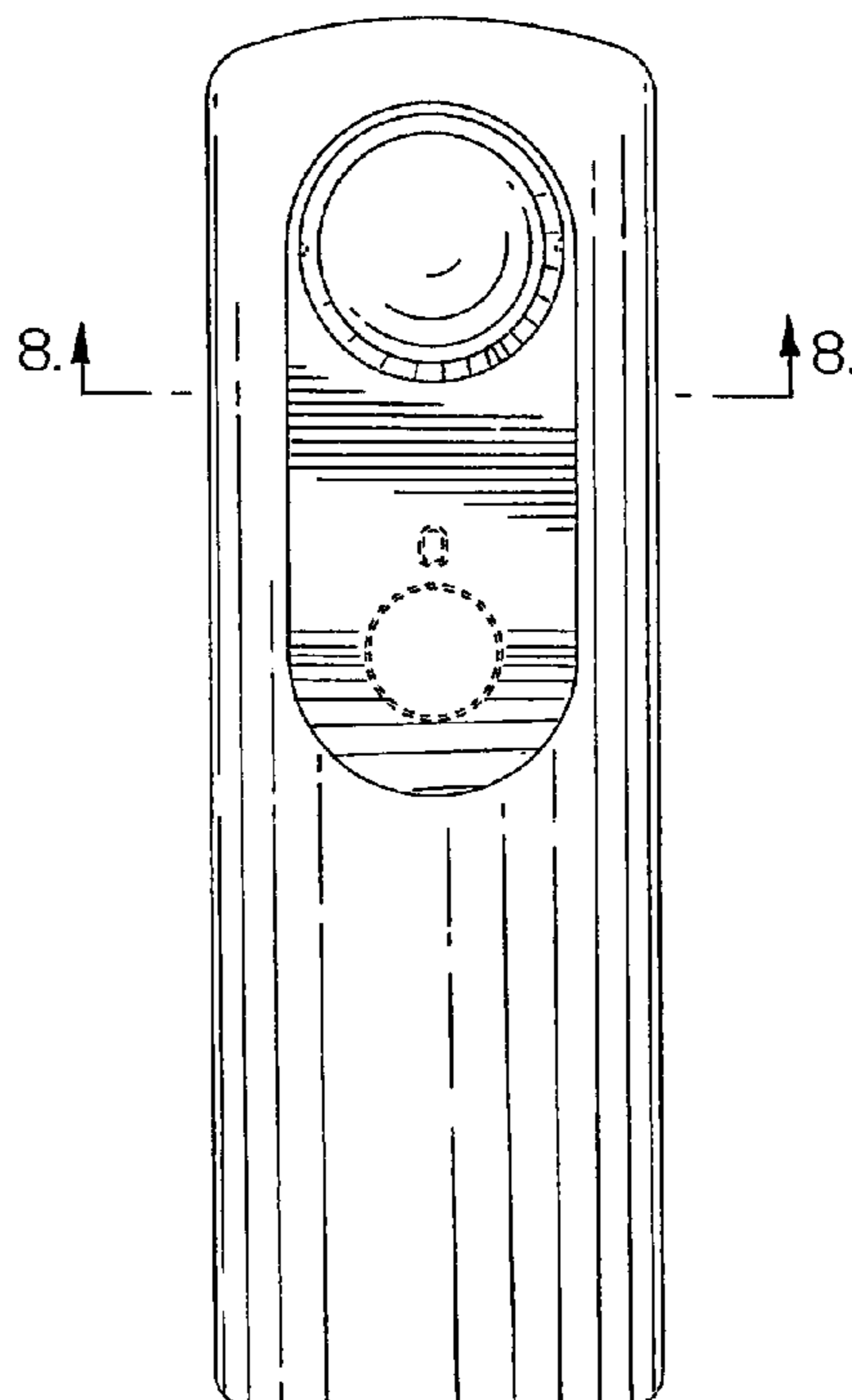
(57) **CLAIM**
The ornamental design for a camera, as shown and described.

(56) **References Cited**
U.S. PATENT DOCUMENTS
D401,257 S * 11/1998 Iino D16/202
D464,664 S * 10/2002 Huang D16/202

DESCRIPTION

FIG. 1 is front elevational view thereof;
FIG. 2 is a rear elevational view thereof;
FIG. 3 is a left side elevational view thereof;
FIG. 4 is a right side elevational view thereof;
FIG. 5 is a top plan view thereof;
FIG. 6 is a bottom plan view thereof;
FIG. 7 is a front, right, and top perspective view thereof; and,
FIG. 8 is an enlarged view of a portion of FIG. 1 from line 8.-8. of FIG. 1.
The broken lines in the drawings show unclaimed features of the camera and form no part of the claimed design.

1 Claim, 7 Drawing Sheets



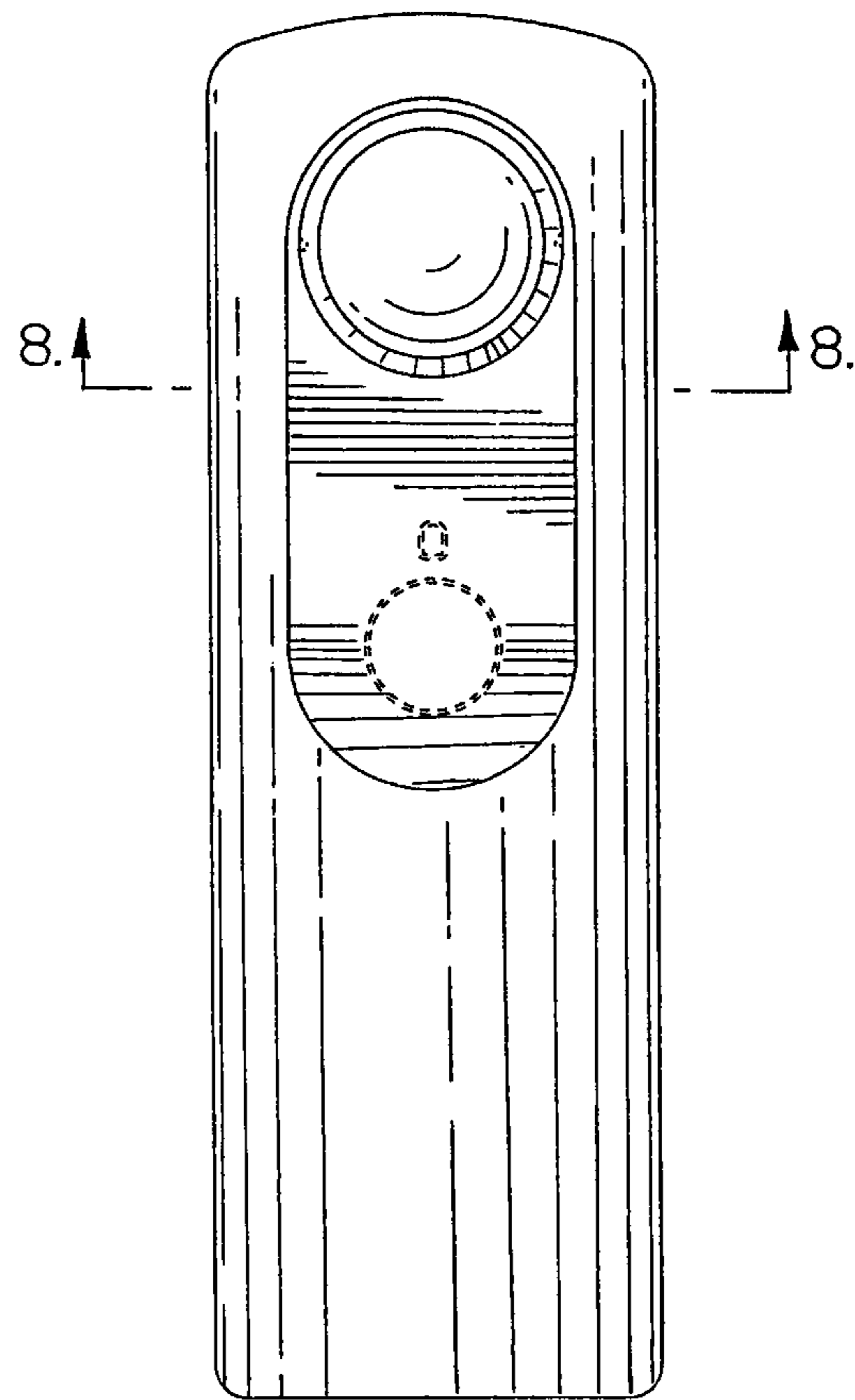


FIG. 1

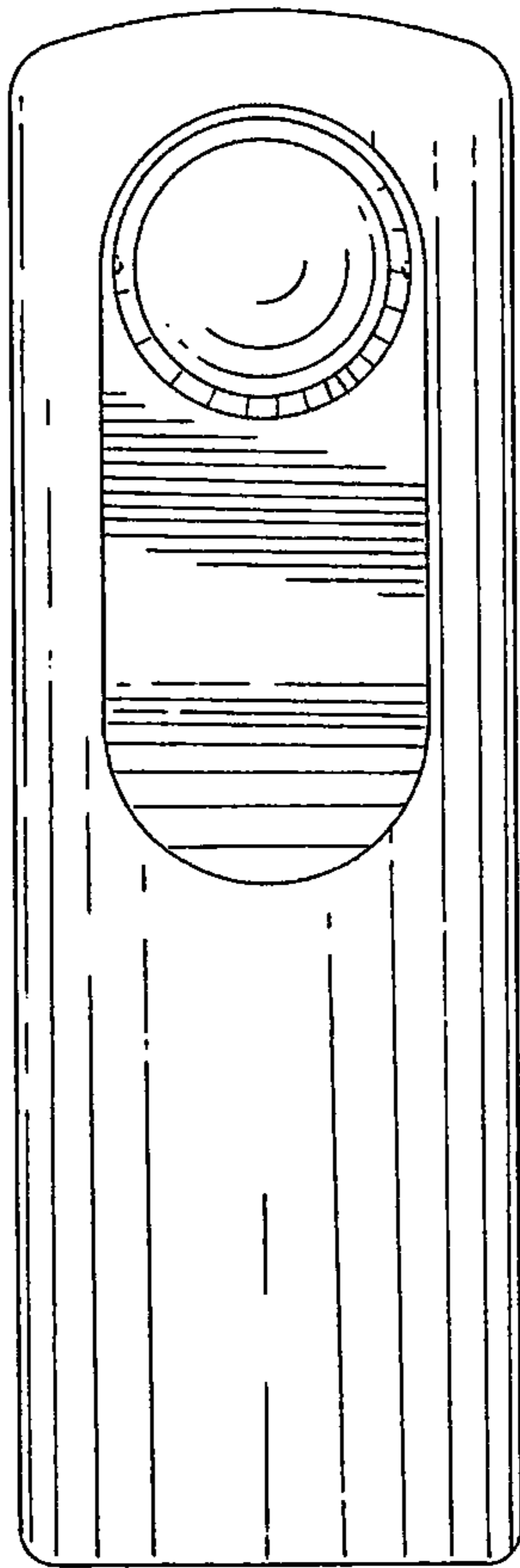


FIG. 2

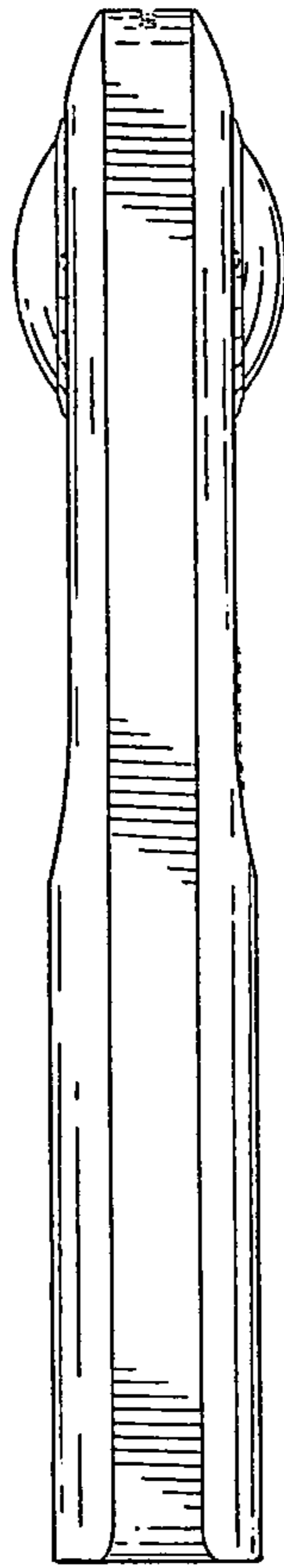


FIG. 3

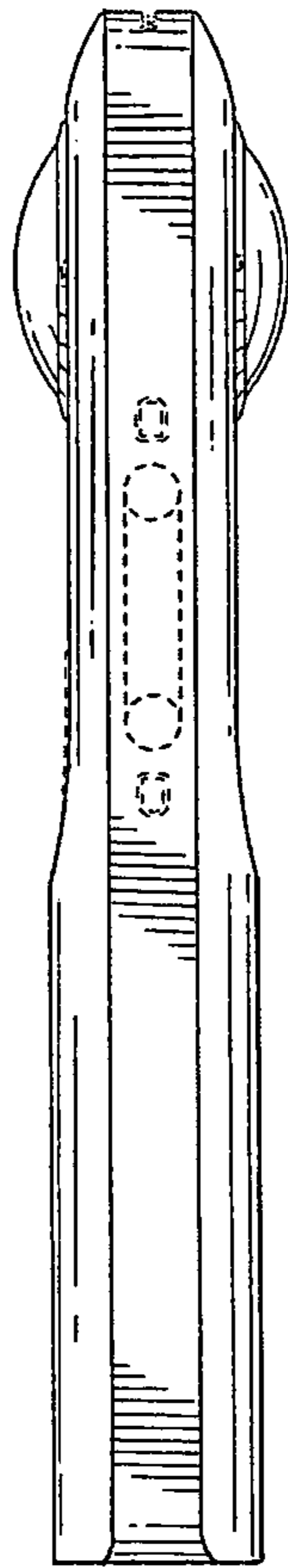


FIG. 4

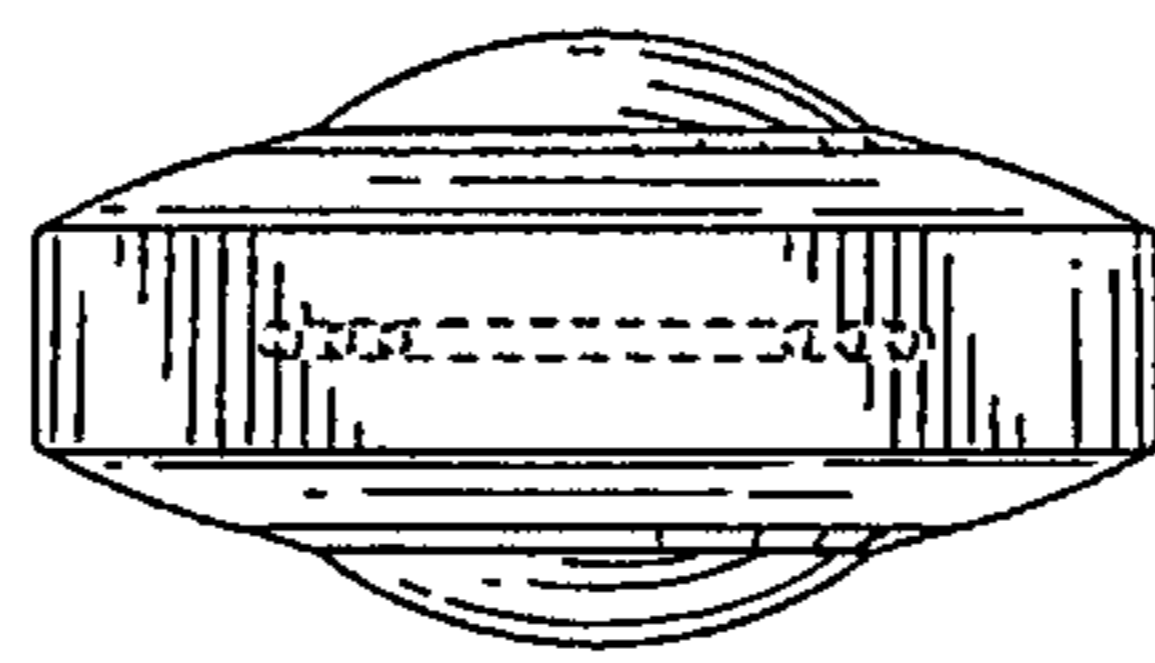


FIG. 5

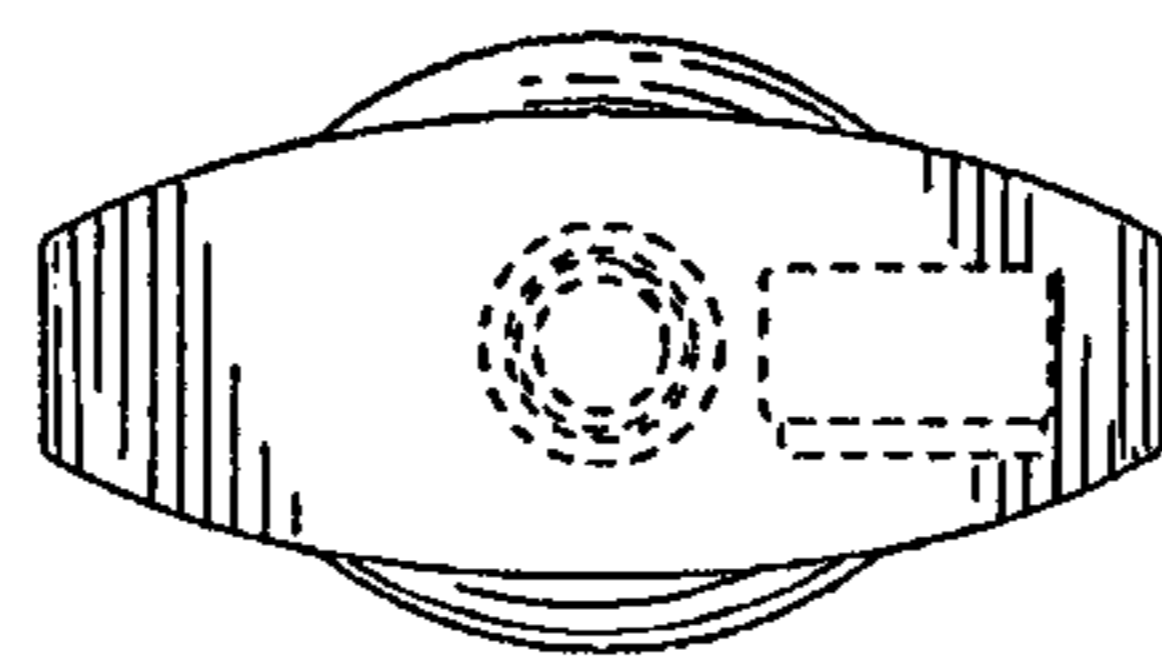


FIG. 6

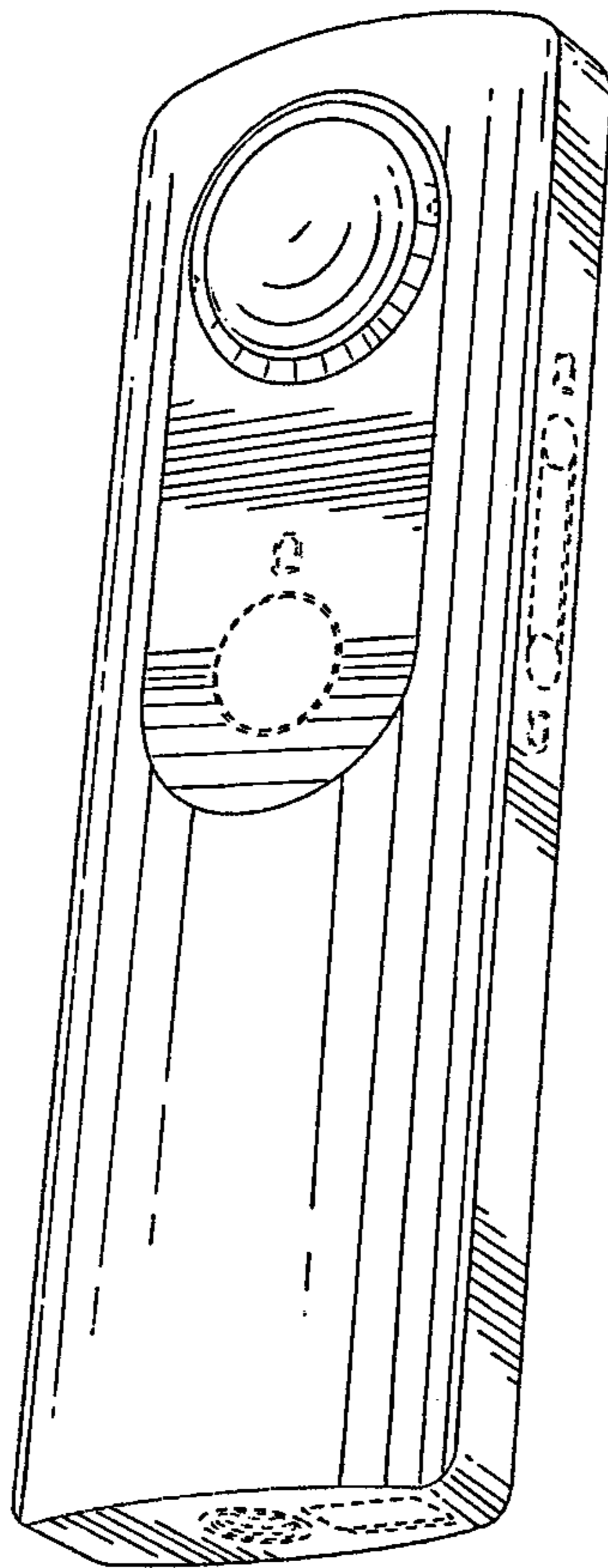


FIG. 7

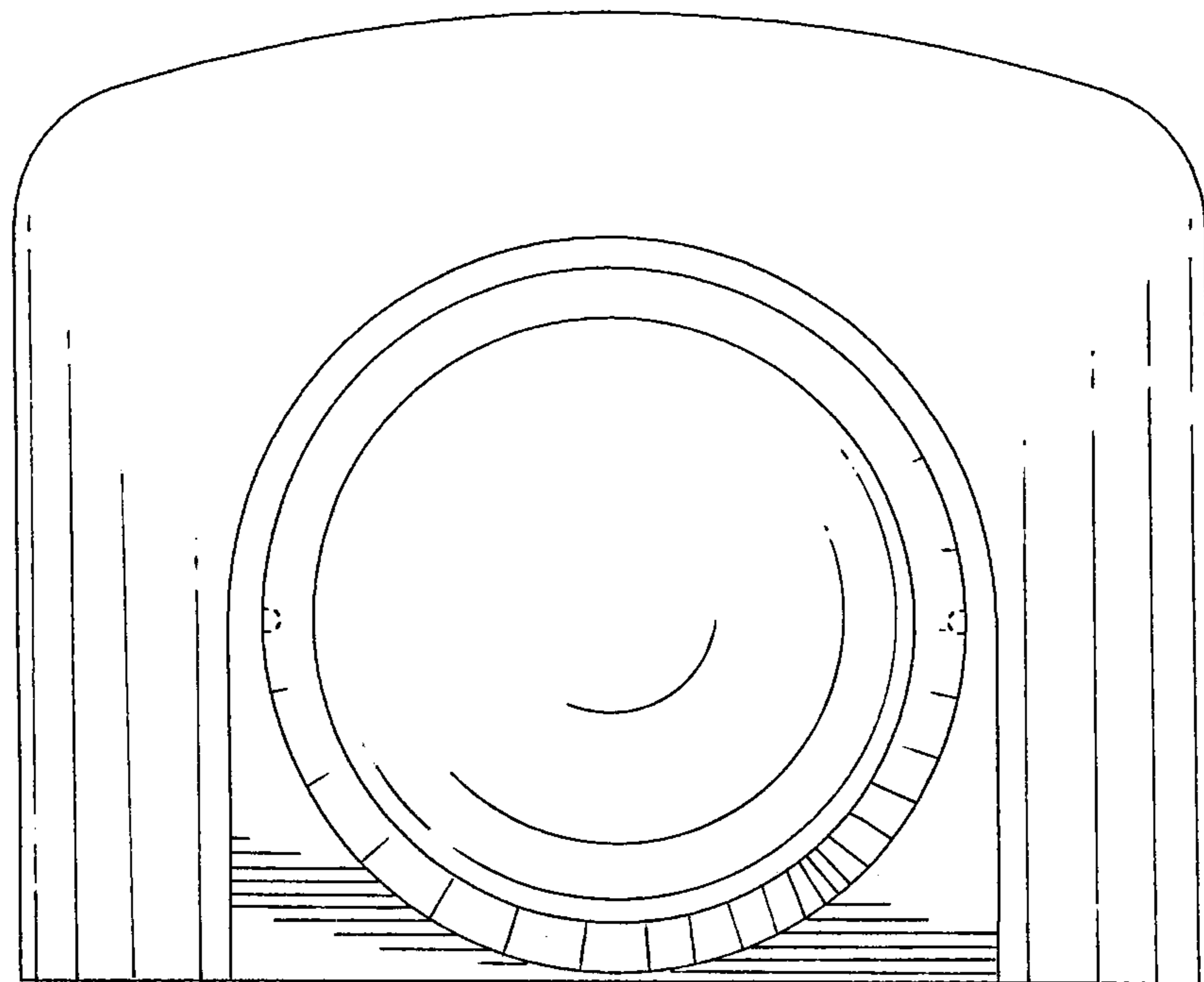


FIG. 8