



US00D732593S

(12) **United States Design Patent**  
**Woodman**

(10) **Patent No.:** **US D732,593 S**  
(45) **Date of Patent:** **\*\* Jun. 23, 2015**

(54) **CAMERA HOUSING**

(71) Applicant: **GoPro, Inc.**, San Mateo, CA (US)

(72) Inventor: **Nicholas D. Woodman**, Sausalito, CA (US)

(73) Assignee: **GoPro, Inc.**, San Mateo, CA (US)

(\*\*) Term: **14 Years**

(21) Appl. No.: **29/481,654**

(22) Filed: **Feb. 7, 2014**

**Related U.S. Application Data**

(60) Division of application No. 29/414,593, filed on Feb. 29, 2012, now Pat. No. Des. 702,276, which is a continuation of application No. 13/193,369, filed on Jul. 28, 2011, now Pat. No. 8,150,248, which is a continuation of application No. 12/498,876, filed on Jul. 7, 2009, now Pat. No. 8,014,656.

(51) **LOC (10) Cl.** ..... **16-01**

(52) **U.S. Cl.**  
USPC ..... **D16/200**; D16/219

(58) **Field of Classification Search**  
USPC ..... D16/200–205, 208, 217, 218, 219;  
348/373–376; 396/535–541  
CPC ..... G03B 1/00; G03B 7/00; G03B 13/02;  
G03B 13/04; G03B 13/1963; H04N 1/00;  
H04N 7/002; H04N 7/181  
See application file for complete search history.

(56) **References Cited**

**U.S. PATENT DOCUMENTS**

D96,348 S \* 7/1935 Teague ..... D16/217  
D164,285 S 8/1951 Clark  
4,763,151 A 8/1988 Klinger  
5,997,376 A 12/1999 Block et al.  
D441,386 S \* 5/2001 Yamazaki ..... D16/203

6,315,180 B1 11/2001 Watkins  
D460,474 S \* 7/2002 Gotham et al. .... D16/219  
6,821,173 B2 11/2004 McCausland et al.  
6,955,484 B2 10/2005 Woodman  
6,991,504 B1 1/2006 English et al.  
7,060,921 B2 6/2006 Kubo

(Continued)

**OTHER PUBLICATIONS**

“Custom Surf Housing Examples for Video Cameras,” Sexton  
Photographics, The Sexton Company LLC, 2004, 3 Pages, [Online]  
[Retrieved on Nov. 16, 2008] Retrieved from the  
Internet<URL:http://www.thesextonco.com/ch\_surf\_video.html>.

(Continued)

*Primary Examiner* — Adir Aronovich

(74) *Attorney, Agent, or Firm* — Fenwick & West LLP

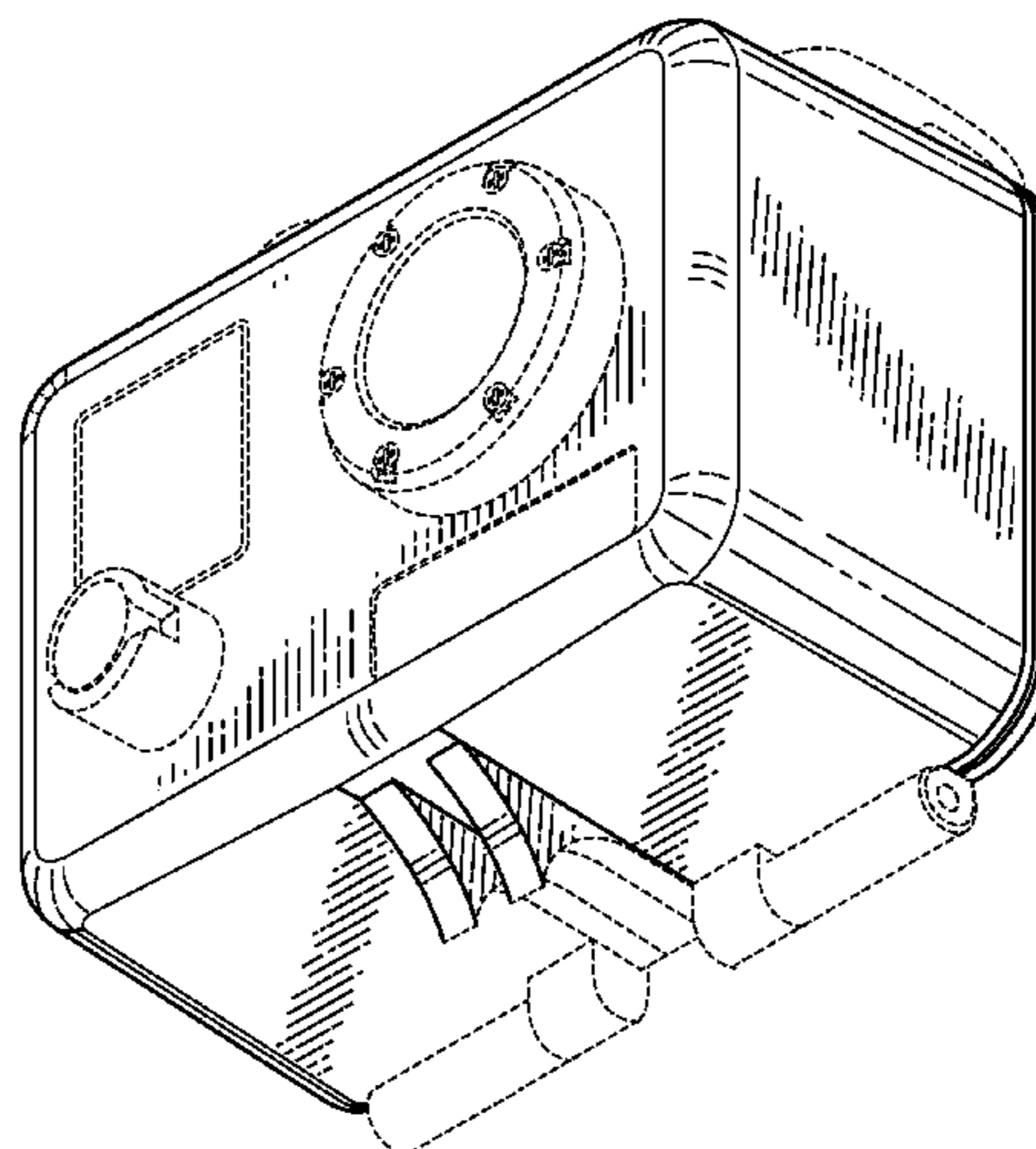
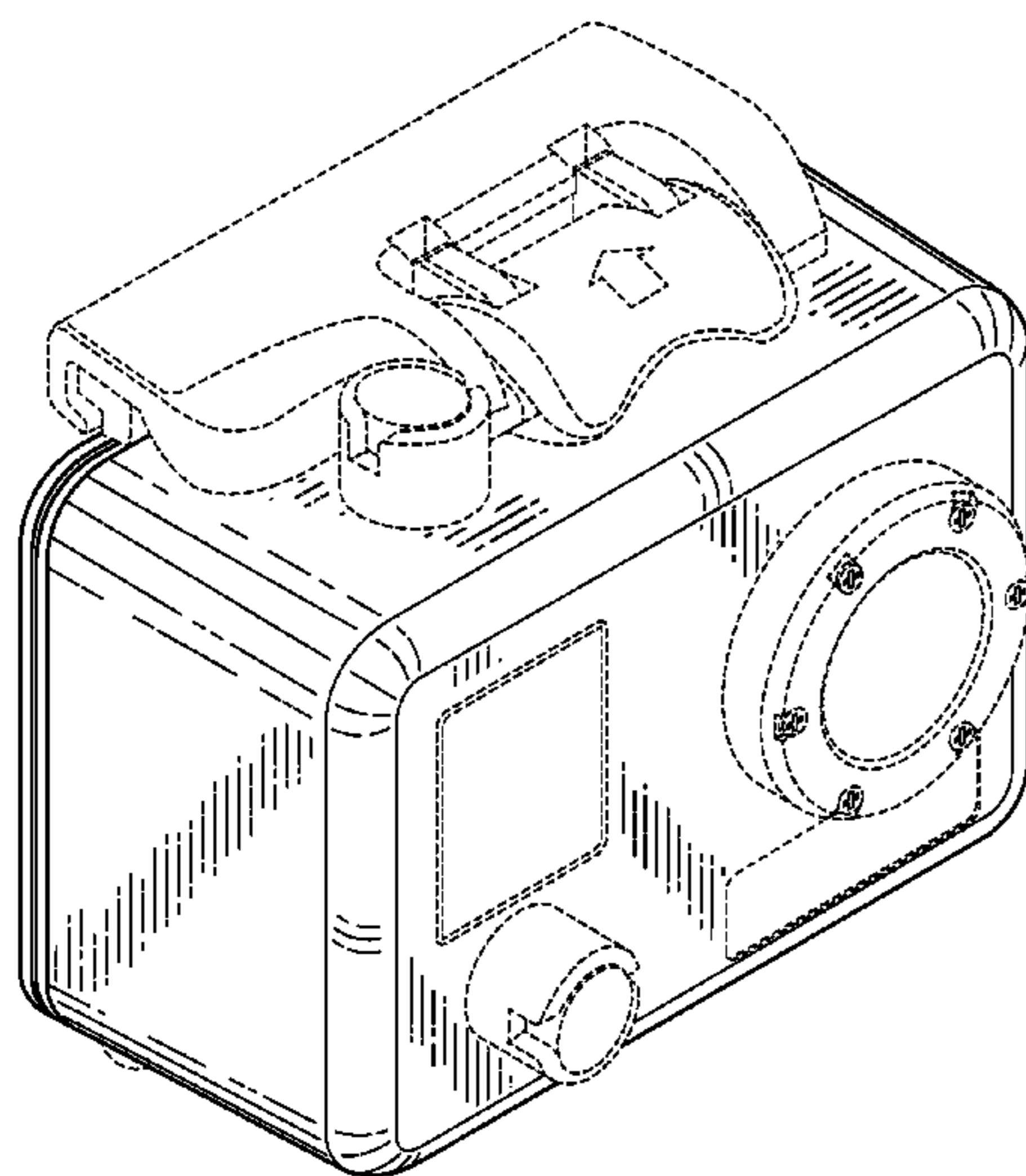
(57) **CLAIM**

The ornamental design for a camera housing, as shown and described.

**DESCRIPTION**

FIG. 1 is a front, top and left side perspective view of a camera housing showing my new design;  
FIG. 2 is a front, top and right side perspective view thereof;  
FIG. 3 is a front, bottom and left side perspective view thereof;  
FIG. 4 is a front, bottom and right side perspective view thereof;  
FIG. 5 is front elevational view thereof;  
FIG. 6 is a rear elevational view thereof;  
FIG. 7 is a left side elevational view thereof;  
FIG. 8 is a right side elevational view thereof;  
FIG. 9 is a top plan view thereof; and,  
FIG. 10 is a bottom plan view thereof.  
The broken lines in the drawings depict portions of a camera housing in which the design is embodied and form no part of the claimed design.

**1 Claim, 10 Drawing Sheets**



(56)

**References Cited**

U.S. PATENT DOCUMENTS

7,117,699	B2	10/2006	Bistline	
7,182,661	B2	2/2007	Sams et al.	
8,014,656	B2	9/2011	Woodman	
D646,313	S *	10/2011	Woodman	D16/218
D648,364	S	11/2011	Tsukamoto et al.	
D657,808	S *	4/2012	Woodman	D16/200
D667,041	S	9/2012	Uehara et al.	
D710,921	S *	8/2014	Gioscia et al.	D16/200
2003/0035052	A1 *	2/2003	Baron	D16/200
2005/0007553	A1	1/2005	Romanoff et al.	
2007/0242134	A1	10/2007	Zernov	
2008/0083360	A1	4/2008	Rowley	

OTHER PUBLICATIONS

“GoPro Hero 3 Sports Wrist Camera Review,” PaddleDogNation, 2006, 6 pages, [Online] [Retrieved on Aug. 8, 2007] Retrieved from the Internet<URL: <http://paddledognation.com/Reviews/PaddlingGearReviews/Hero3Ca...> >.

Huang, J., “Part 19—Oct. 21: Interbike Bits and Baubles,” Interbike Show, Las Vegas, Nevada, USA, Sep. 22-26, 2008, Cyclingnews.

com, 3 Pages, [Online] [Retrieved on Oct. 21, 2008] Retrieved from the Internet<URL: <http://www.cyclingnews.com/tech/2008/shows/interbike08/?id=result...> >.

“Maui Surf Report: New SUP Camera Mount,” 8 Pages, [Online] [Retrieved on Nov. 16, 2008] Retrieved from the Internet<URL: <http://mauisurfreport.blogspot.com/2007/08/new-sup-camera-mount.html>>.

PCT International Search Report and Written Opinion, PCT/US2009/049823, Sep. 1, 2009, 8 pages.

“Sticky Pod—Boat Camera Mount,” Sticky Pod Camera Mounts, Sticky Pod®, 2003-2007, 3 Pages, [Online] [Retrieved on Nov. 16, 2008] Retrieved from the Internet<URL: [http://www.stickypod.com/boat\\_camera\\_mount.html](http://www.stickypod.com/boat_camera_mount.html)>.

“Tekkno Trading Project—Brandnews,” NSP, Jan. 2008, p. 59.

Volk, W., “Go Pro’s Digital Hero Camera,” Divester, Posted Dec. 5, 2008, 3 Pages [Online] [Retrieved on Sep. 16, 2009] Retrieved from the Internet<URL: <http://www.divester.com/2006/12/05/go-pro-digital-hero-camera/>>.

Office Action for U.S. Appl. No. 13/193,369, Oct. 18, 2011, 6 Pages.

Office Action for U.S. Appl. No. 12/498,876, Jan. 12, 2011, 10 Pages.

Office Action for U.S. Appl. No. 12/498,876, Sep. 17, 2010, 12 Pages.

\* cited by examiner

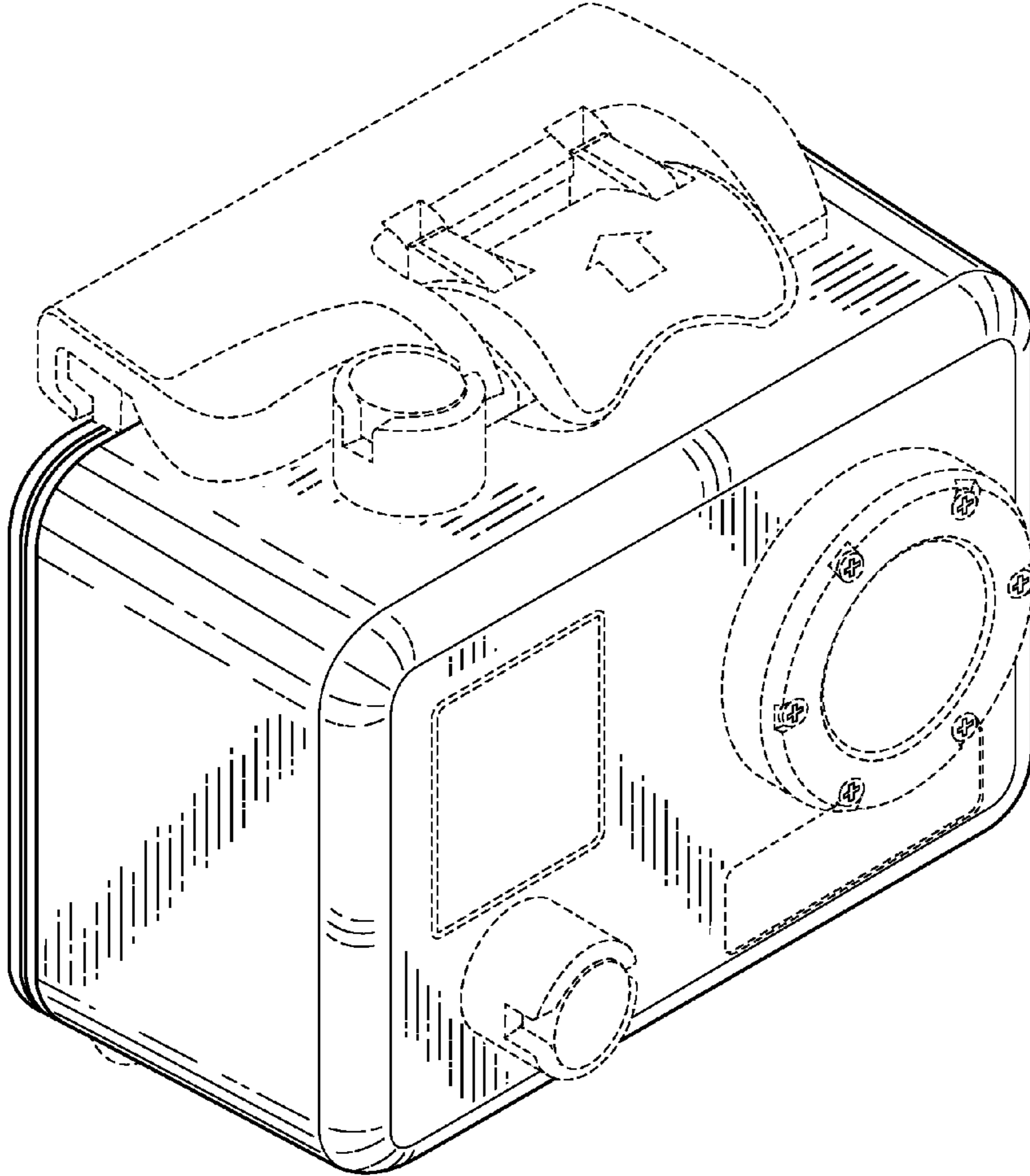


FIG. 1

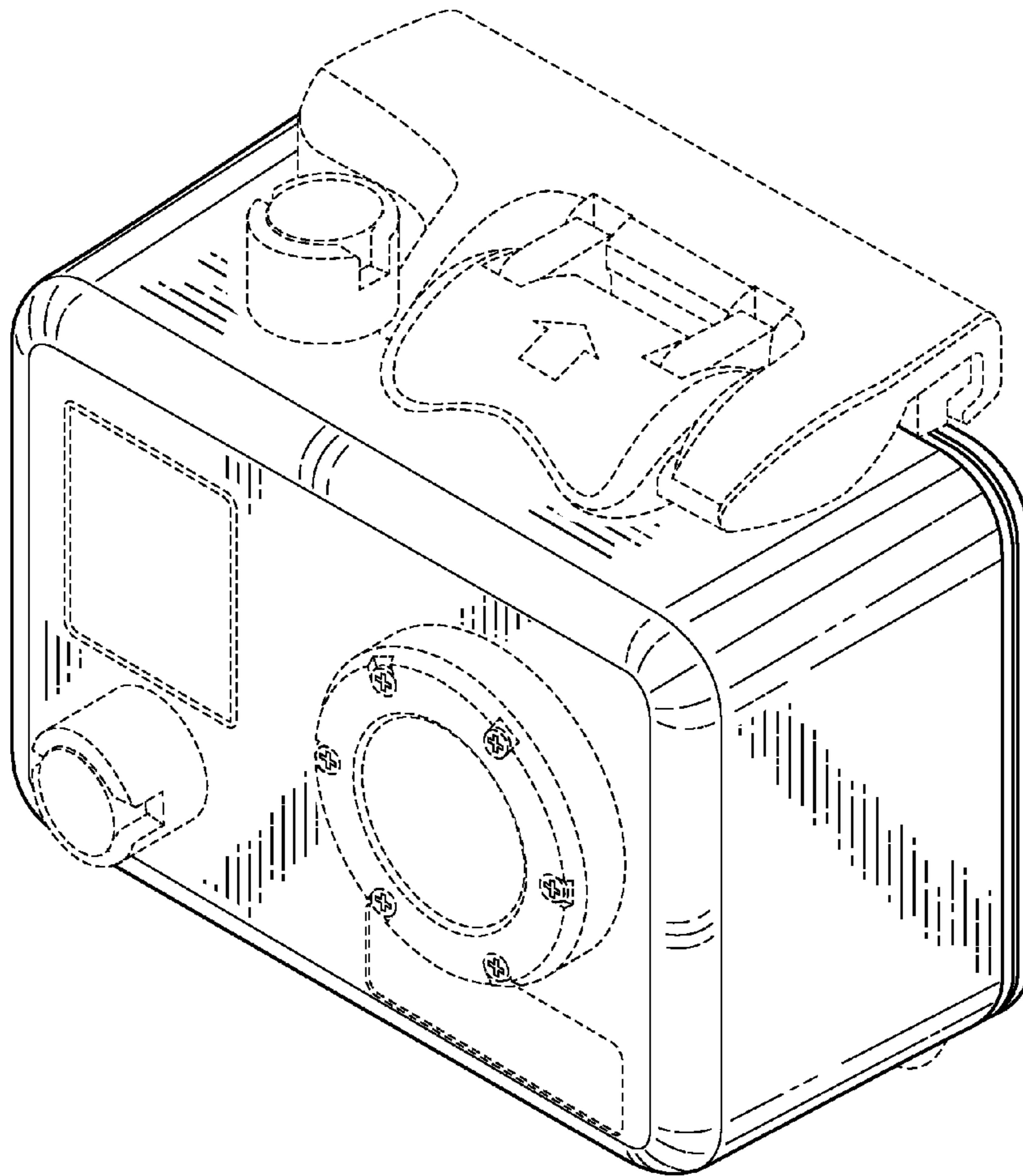


FIG. 2

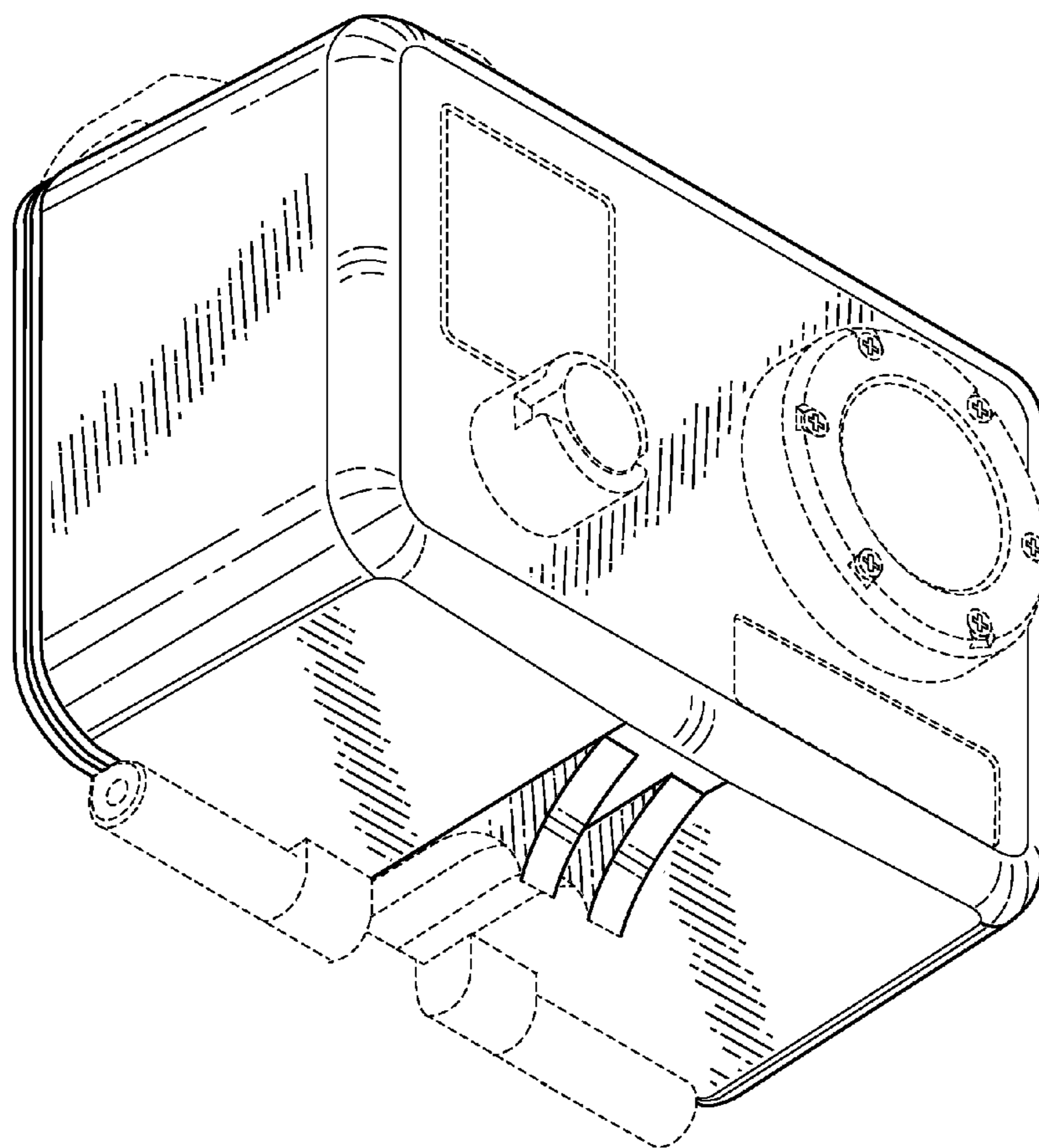


FIG. 3

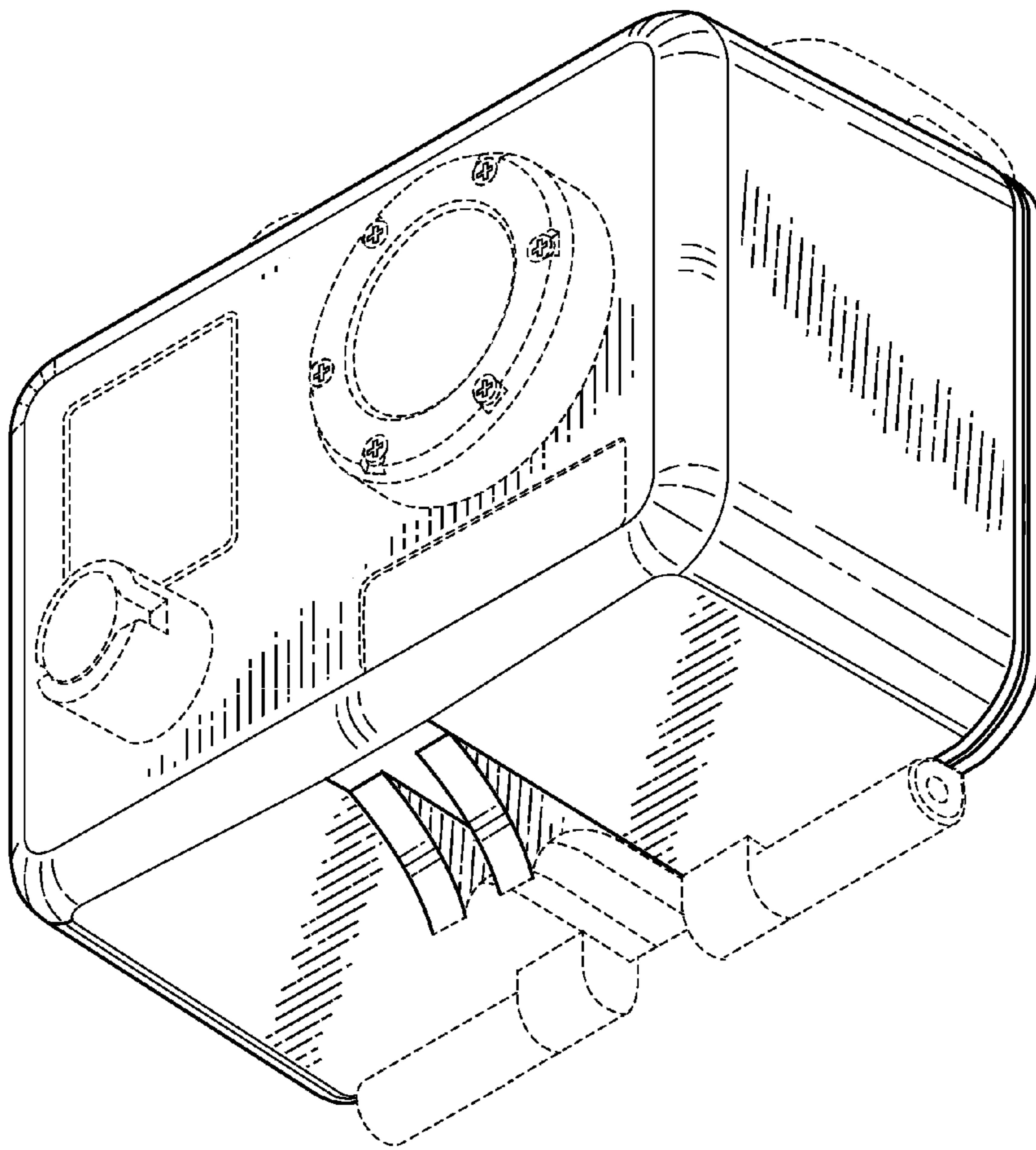


FIG. 4

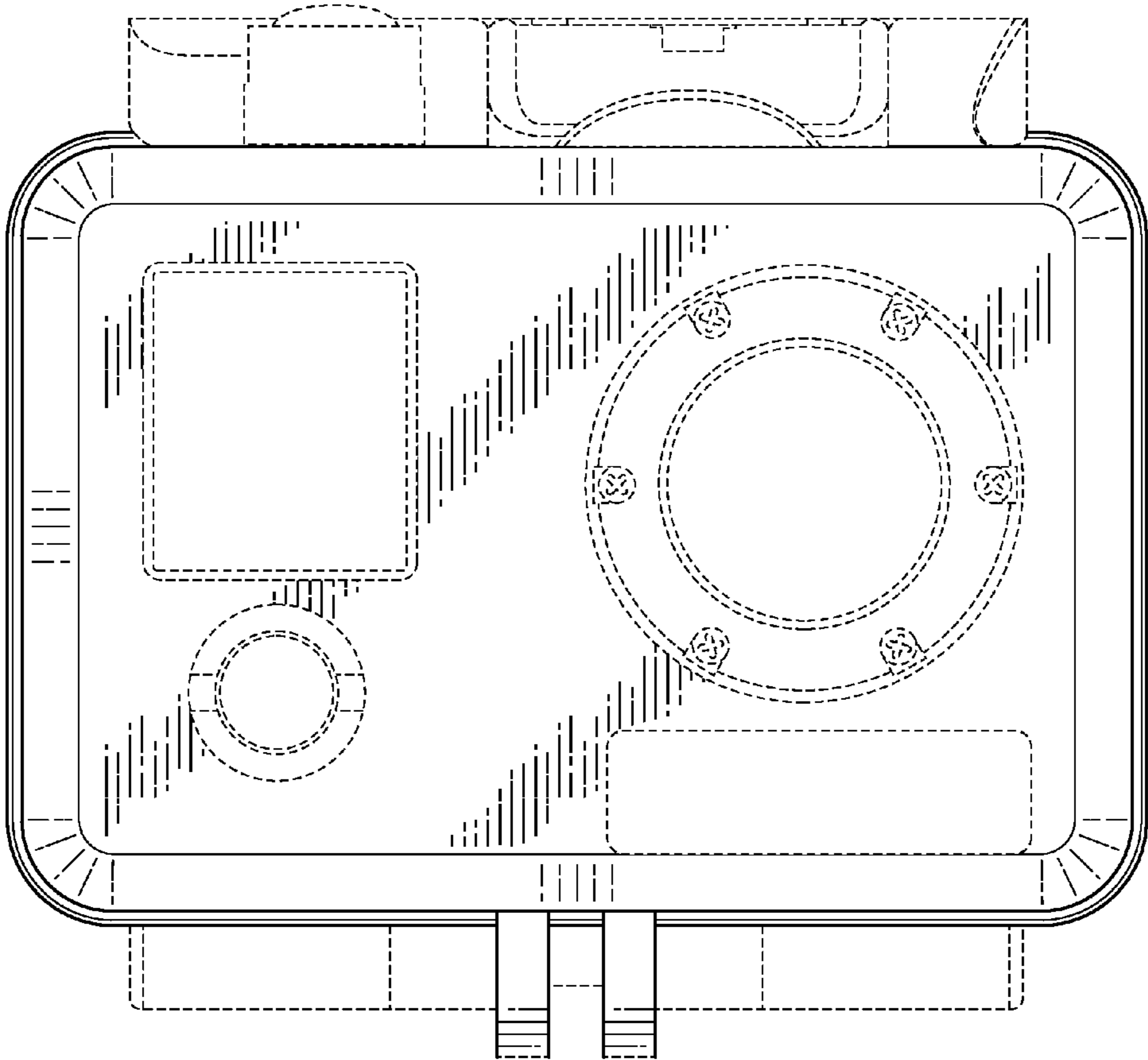


FIG. 5

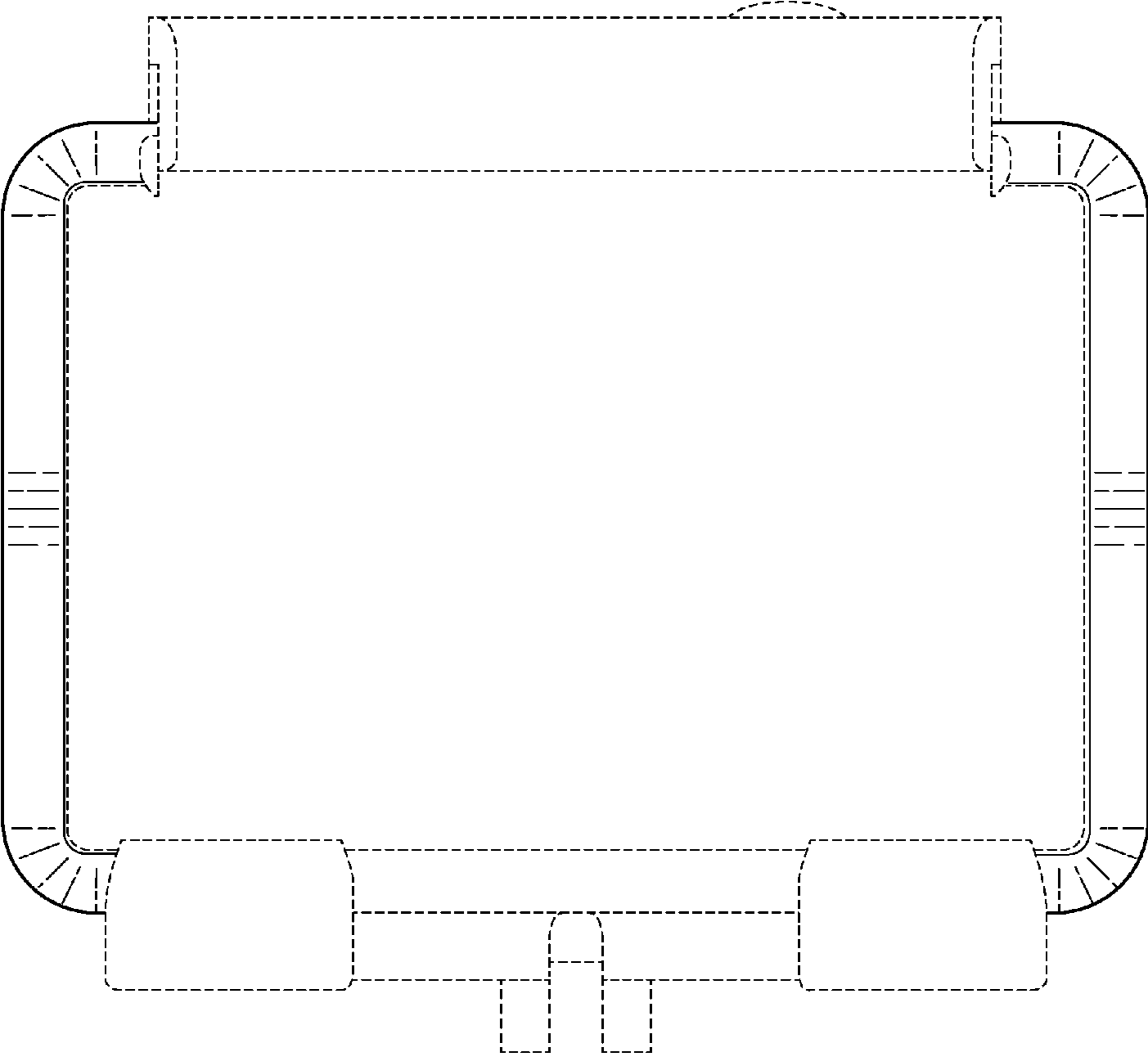


FIG. 6



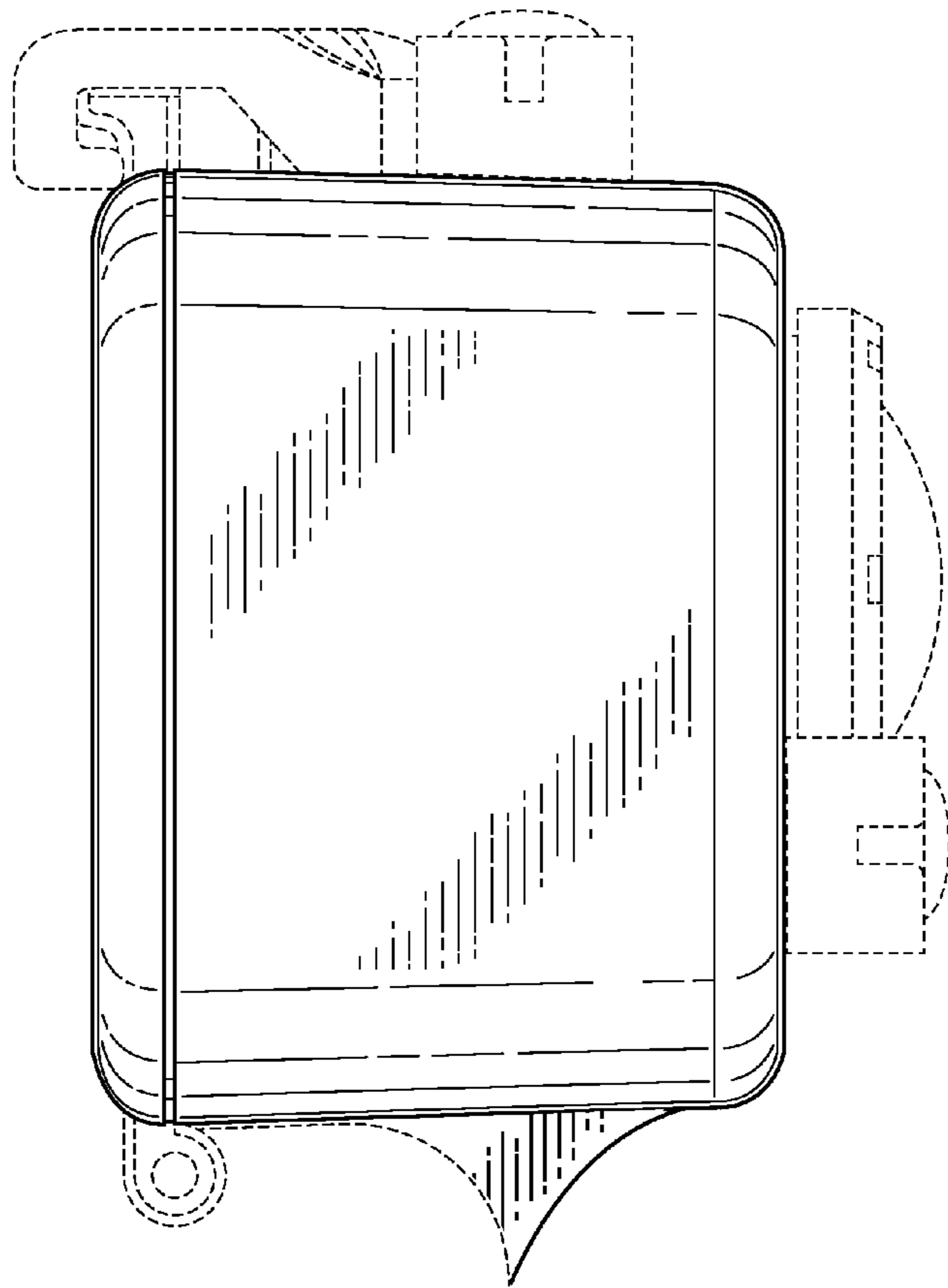


FIG. 7

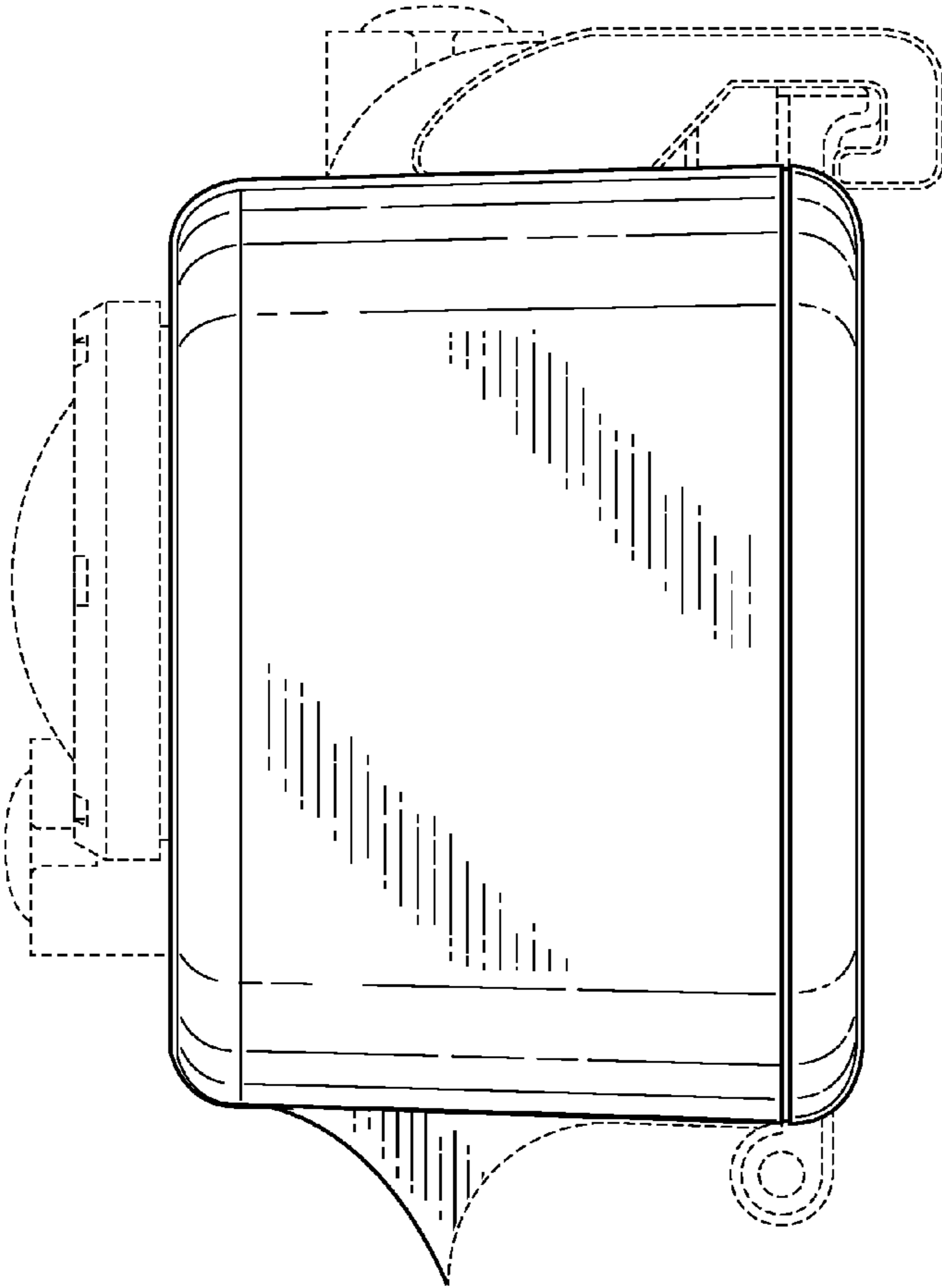


FIG. 8

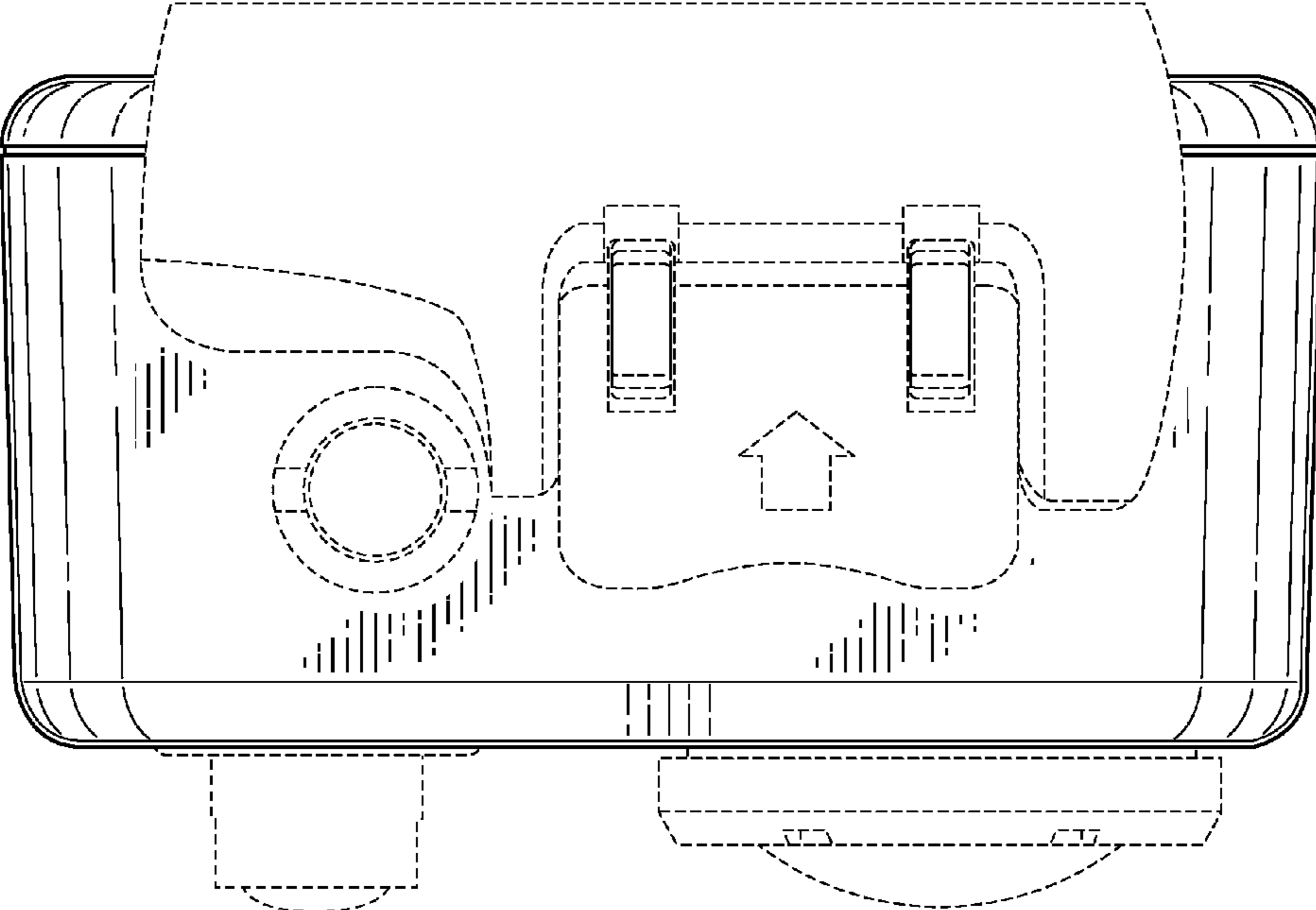


FIG. 9

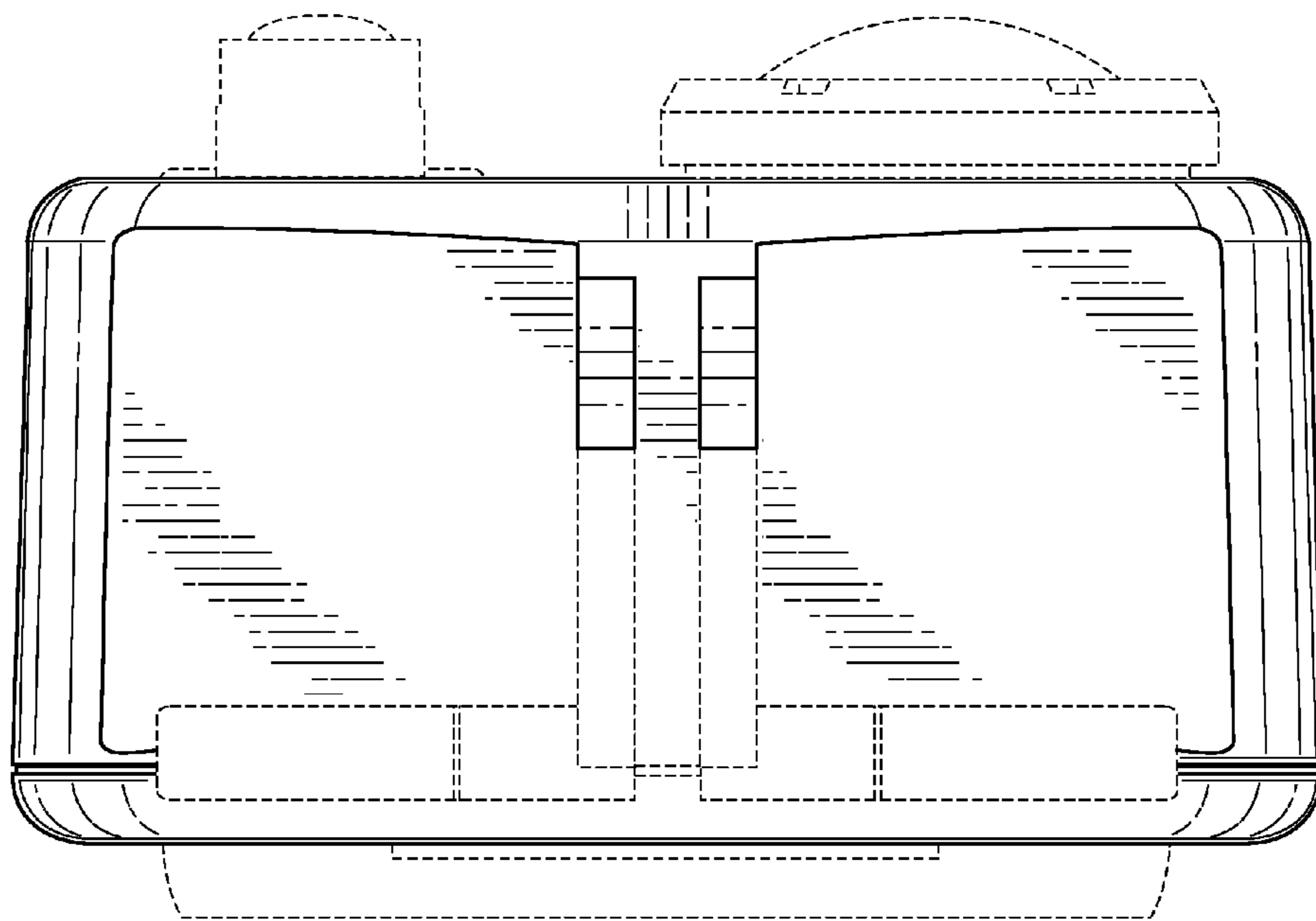


FIG. 10

UNITED STATES PATENT AND TRADEMARK OFFICE  
**CERTIFICATE OF CORRECTION**

PATENT NO. : D732,593 S  
APPLICATION NO. : 29/481654  
DATED : June 23, 2015  
INVENTOR(S) : Nicholas D. Woodman

Page 1 of 1

It is certified that error appears in the above-identified patent and that said Letters Patent is hereby corrected as shown below:

On the title page under “Related U.S. Application Data (60)”, add the following:

After “application No. 12/498,876, filed on Jul, 7, 2009, now Pat. No. 8,014,656,” add --which claims priority from U.S. Provisional Application No. 61/078,743, filed on Jul. 7, 2008--.

Signed and Sealed this  
Twelfth Day of July, 2016



Michelle K. Lee  
*Director of the United States Patent and Trademark Office*