



US00D732591S

(12) **United States Design Patent**  
**Kuo**

(10) **Patent No.:** **US D732,591 S**  
(45) **Date of Patent:** **\*\* Jun. 23, 2015**

(54) **OPTICAL LENS**

(71) Applicant: **LUMINOUS STAR TECHNOLOGY LTD.**, Tainan (TW)

(72) Inventor: **Tzu-Fan Kuo**, Tainan (TW)

(73) Assignee: **Luminous Star Technology Ltd.**, Tainan (TW)

(\*\*) Term: **14 Years**

(21) Appl. No.: **29/461,170**

(22) Filed: **Jul. 19, 2013**

(51) **LOC (10) Cl.** ..... **16-06**

(52) **U.S. Cl.**  
USPC ..... **D16/101**

(58) **Field of Classification Search**  
USPC ..... D16/101, 300-342, 900; D29/109-110;  
351/41, 44, 51-52, 62, 158, 92,  
351/103-123, 140-153, 63, 59, 45-46;  
2/426-432, 447-449, 441, 434-437,  
2/13, 15; D21/483, 659-661; D14/372;  
362/326-340  
CPC ..... G02C 2200/08; G02C 1/06; G02C 7/07;  
G02B 5/04

See application file for complete search history.

(56) **References Cited**

U.S. PATENT DOCUMENTS

4,969,728 A *	11/1990	Sisler .....	351/41
6,128,119 A *	10/2000	Kamikubo .....	359/837
D489,383 S *	5/2004	Overholser .....	D16/101
D619,633 S *	7/2010	Chen et al. ....	D16/135
D691,191 S *	10/2013	Aalam .....	D16/300

\* cited by examiner

*Primary Examiner* — Raphael Barkai

(74) *Attorney, Agent, or Firm* — Rosenberg, Klein & Lee

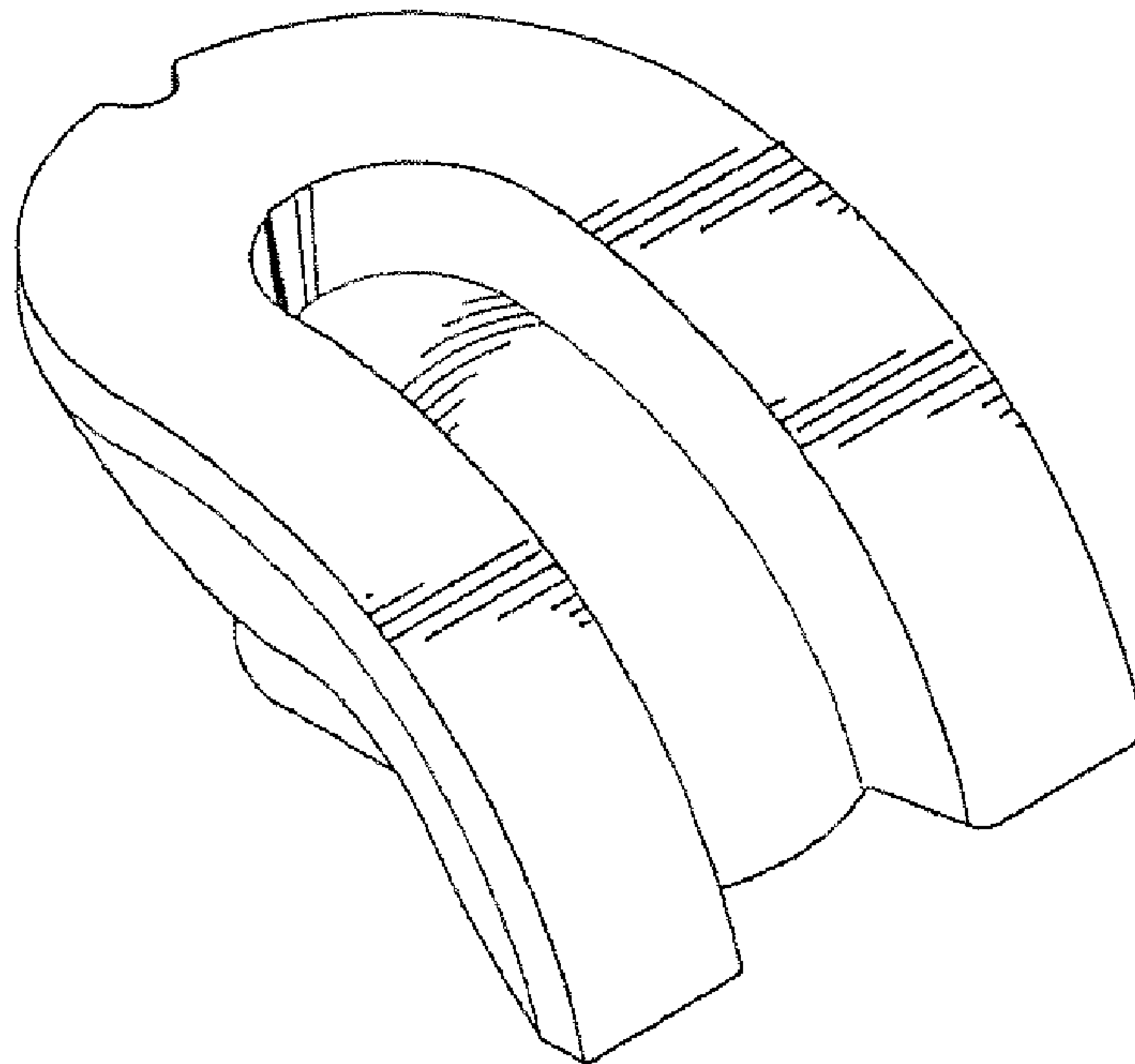
(57) **CLAIM**

The ornamental design for an optical lens, as shown and described.

**DESCRIPTION**

FIG. 1 is a perspective view of an optical lens showing my new design;  
FIG. 2 is a front elevational view thereof;  
FIG. 3 is a rear elevational view thereof;  
FIG. 4 is a left side elevational view thereof;  
FIG. 5 is a right side elevational view thereof;  
FIG. 6 is a top plan view thereof; and,  
FIG. 7 is a bottom plan view thereof.

**1 Claim, 7 Drawing Sheets**



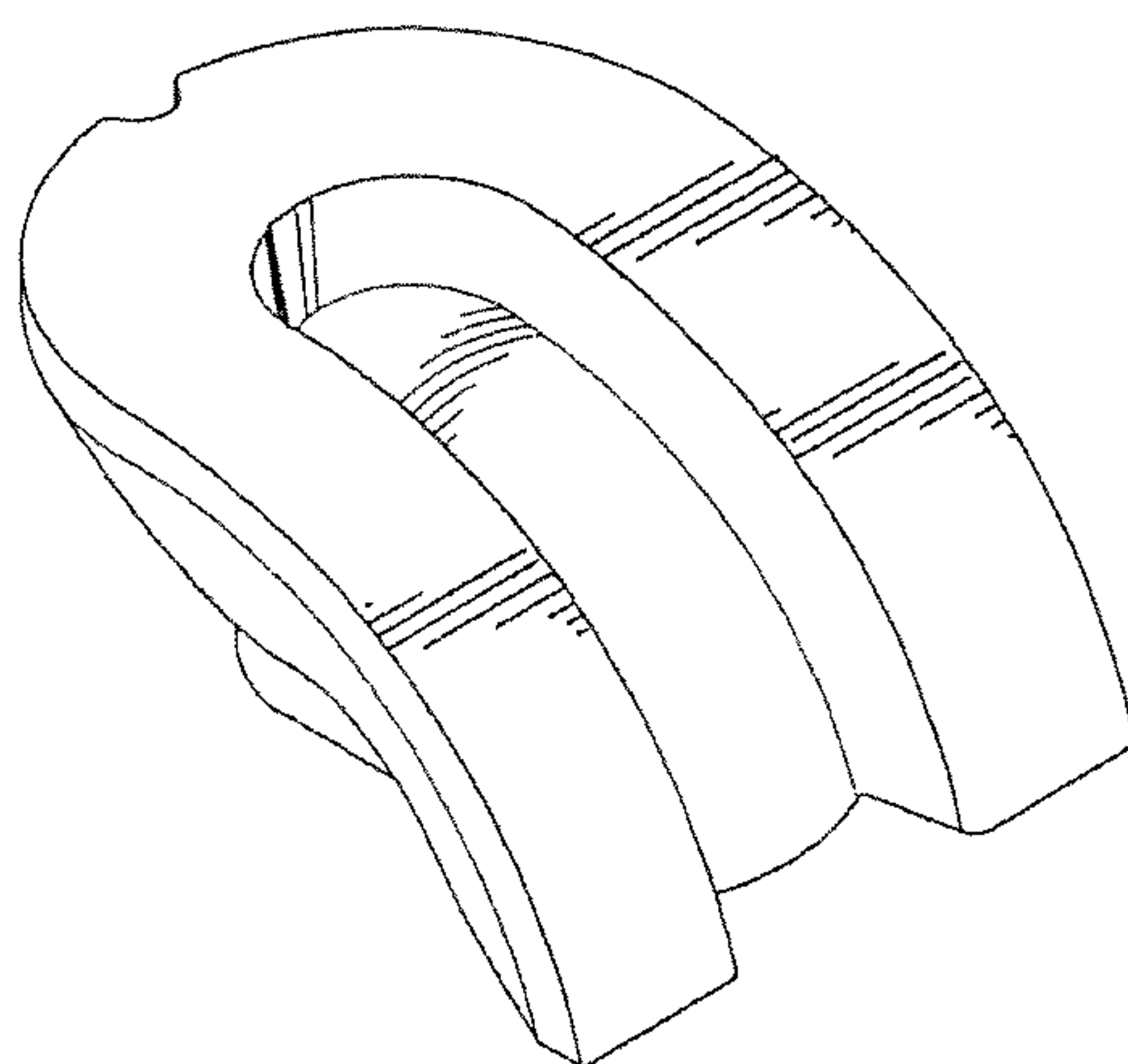


FIG. 1

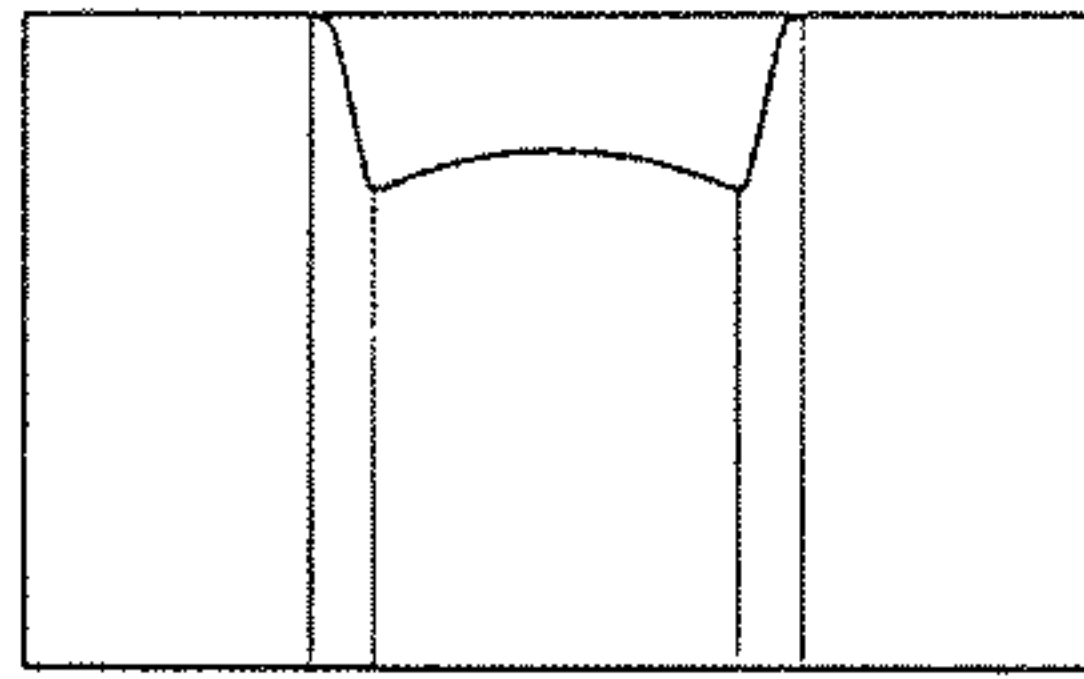


FIG. 2

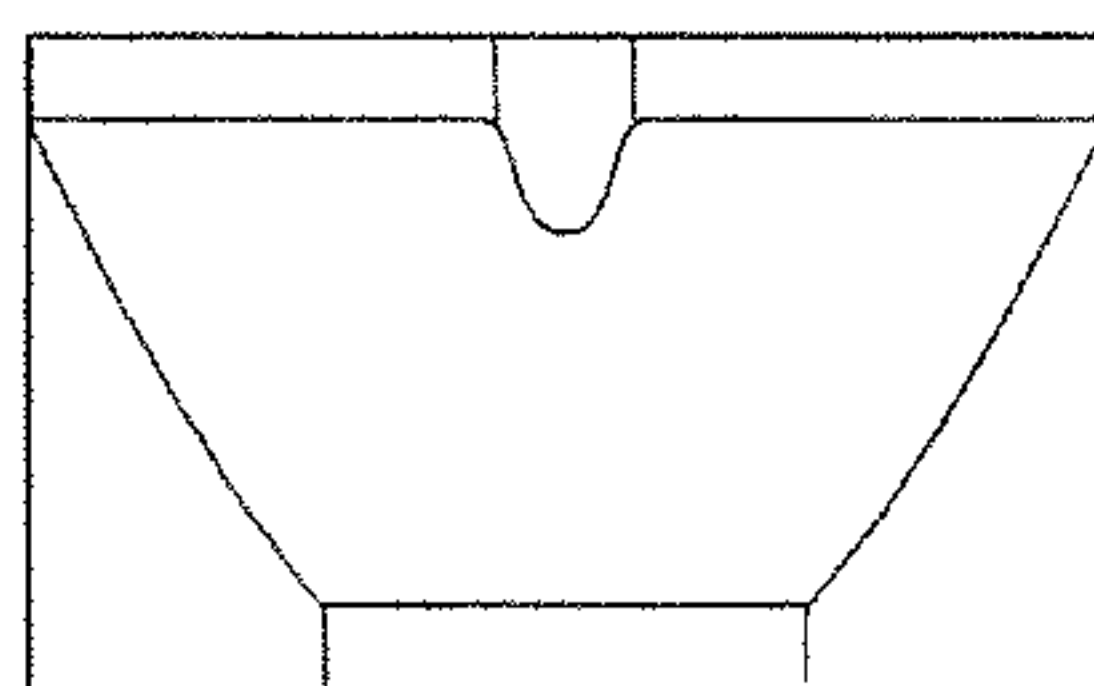


FIG. 3

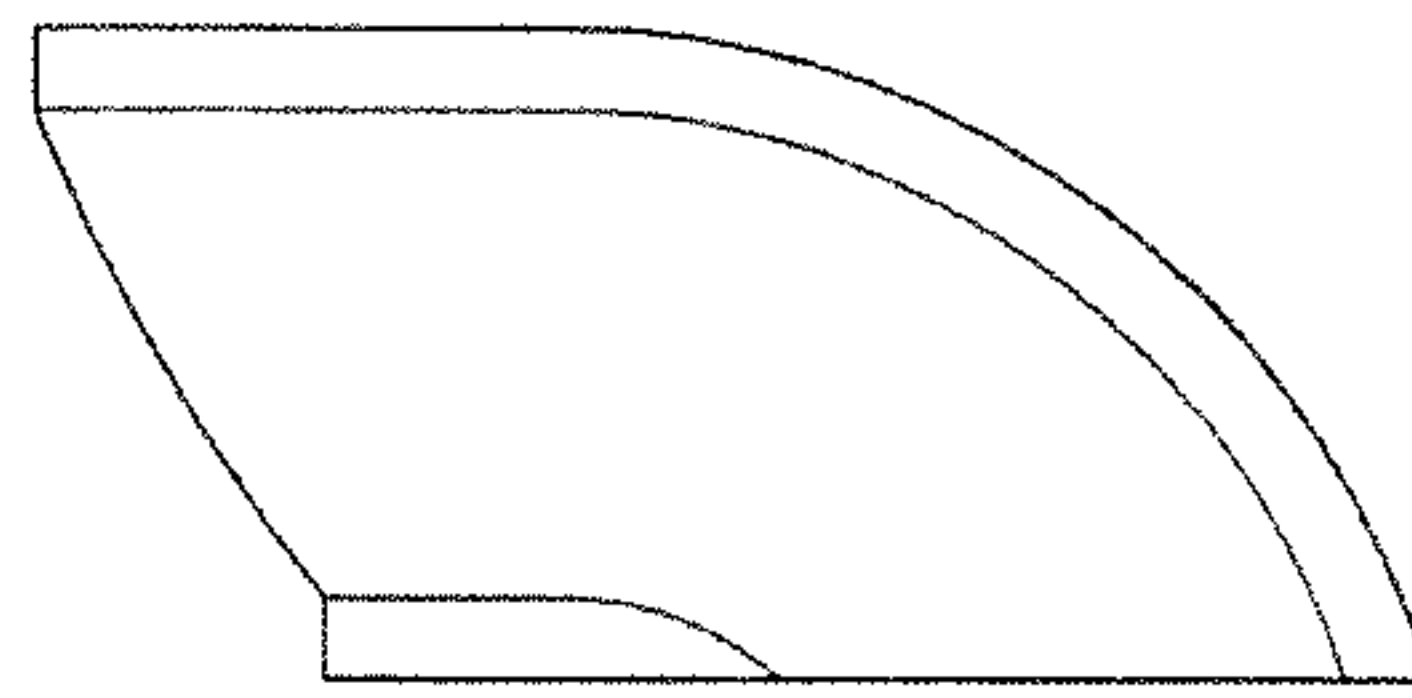


FIG. 4

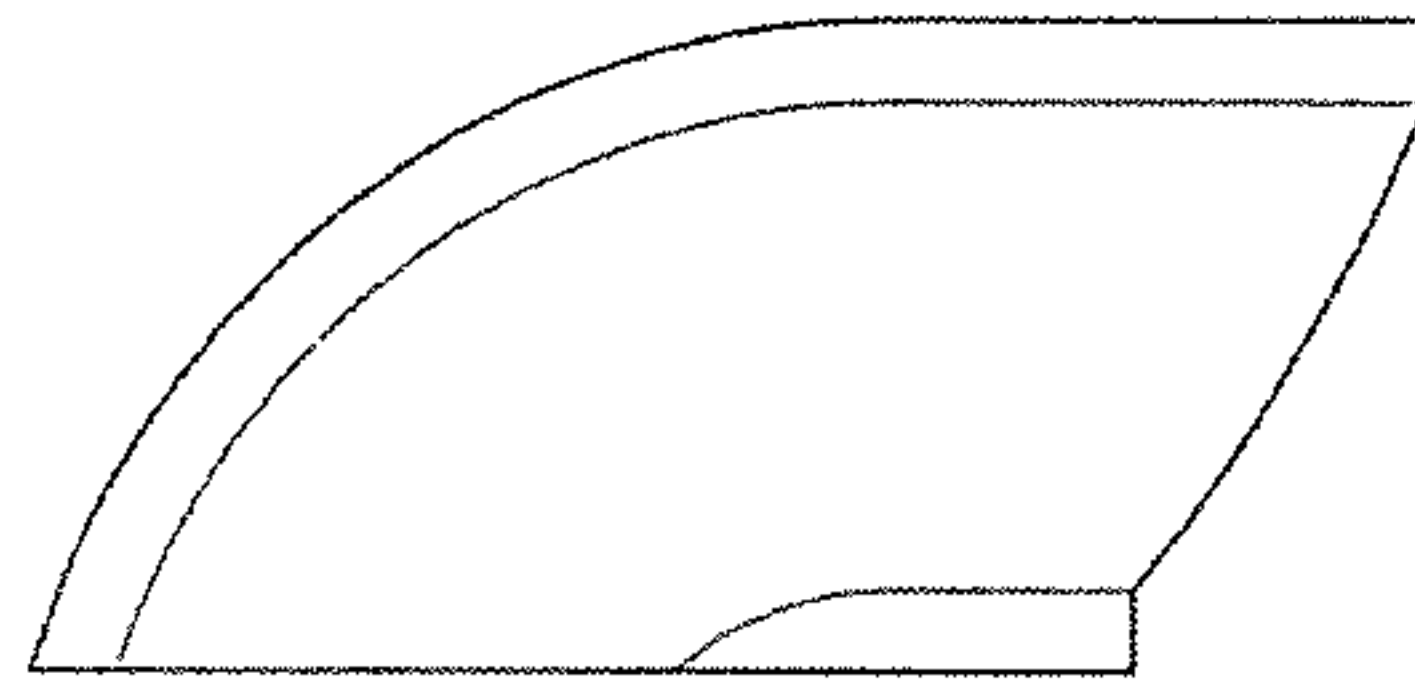


FIG. 5

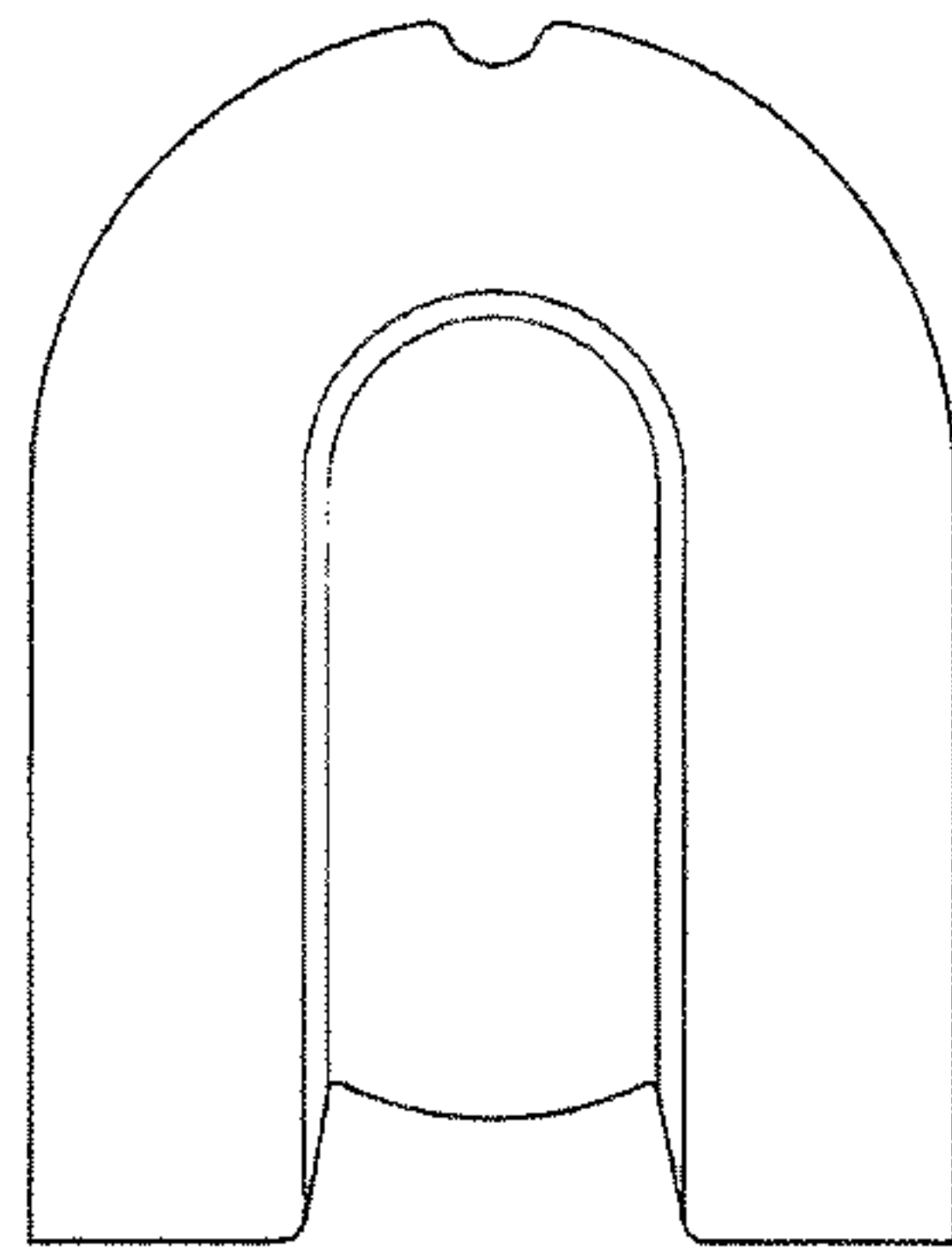


FIG. 6

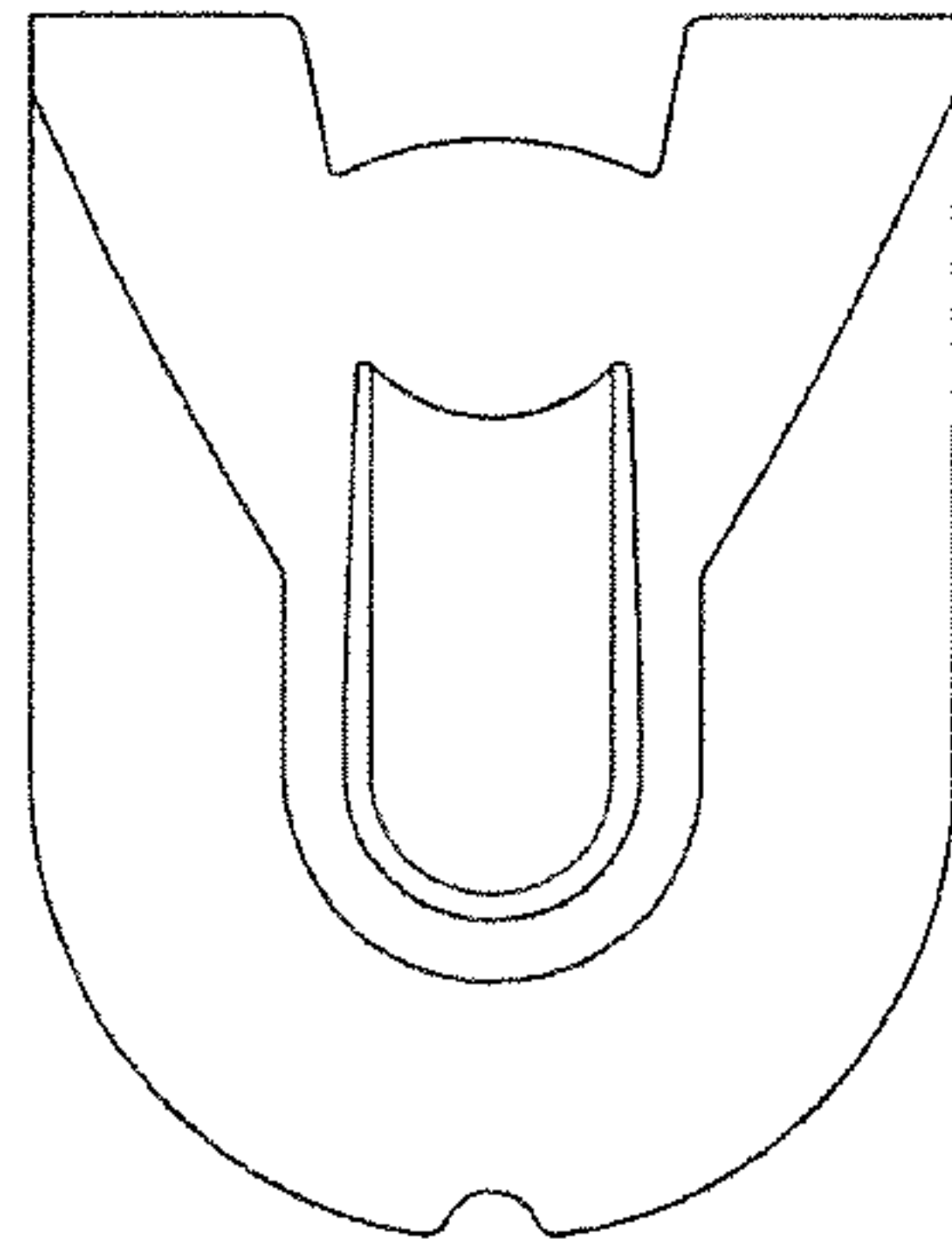


FIG. 7