



US00D732590S

(12) **United States Design Patent**
Bedeschi et al.

(10) **Patent No.:** **US D732,590 S**
(45) **Date of Patent:** **** Jun. 23, 2015**

- (54) **PAINT SPRAY BOOTH**
- (71) Applicant: **CEFLA SOCIETA' COOPERATIVA**,
Imola (IT)
- (72) Inventors: **Riccardo Bedeschi**, Lugo (IT); **Giorgio Gurioli**, Modigliana (IT)
- (73) Assignee: **CEFLA SOCIETA' COOPERATIVA**,
Imola, Province of Bologna (IT)
- (**) Term: **14 Years**
- (21) Appl. No.: **29/469,981**
- (22) Filed: **Oct. 16, 2013**
- (30) **Foreign Application Priority Data**

Apr. 19, 2013 (EM) 002223875-0001

- (51) **LOC (10) Cl.** **15-99**
- (52) **U.S. Cl.**
USPC **D15/199; D15/122**
- (58) **Field of Classification Search**
USPC D15/122, 135, 199
See application file for complete search history.

(56) **References Cited**

U.S. PATENT DOCUMENTS

D274,088	S	*	5/1984	Nilsson et al.	D15/199
D287,749	S	*	1/1987	Nilsson et al.	D23/314
5,690,995	A	*	11/1997	Fischli et al.	427/180
5,922,130	A	*	7/1999	Mosser et al.	118/326
6,027,566	A	*	2/2000	Telchuk et al.	118/326

D567,264	S	*	4/2008	Muller et al.	D15/122
D655,323	S	*	3/2012	Brockhage	D15/145
D674,420	S	*	1/2013	Ueberschlag et al.	D15/122
D685,825	S	*	7/2013	Hoelbl	D15/122
2005/0170768	A1	*	8/2005	Kelly	454/53
2006/0233960	A1	*	10/2006	Warren et al.	427/421.1
2007/0062444	A1	*	3/2007	Shutic et al.	118/309
2007/0166463	A1	*	7/2007	Kelly	427/345
2008/0003349	A1	*	1/2008	Van Sciver et al.	427/8
2010/0272915	A1	*	10/2010	Laws	427/421.1
2010/0293909	A1	*	11/2010	Thomason	55/385.1
2013/0042805	A1	*	2/2013	Shutic	118/308
2014/0030439	A1	*	1/2014	Schmidt	427/427.2
2014/0099448	A1	*	4/2014	Milli	427/475

* cited by examiner

Primary Examiner — Patricia Palasik

(74) *Attorney, Agent, or Firm* — Marvin Petry; Stites & Harbison PLLC

(57) **CLAIM**

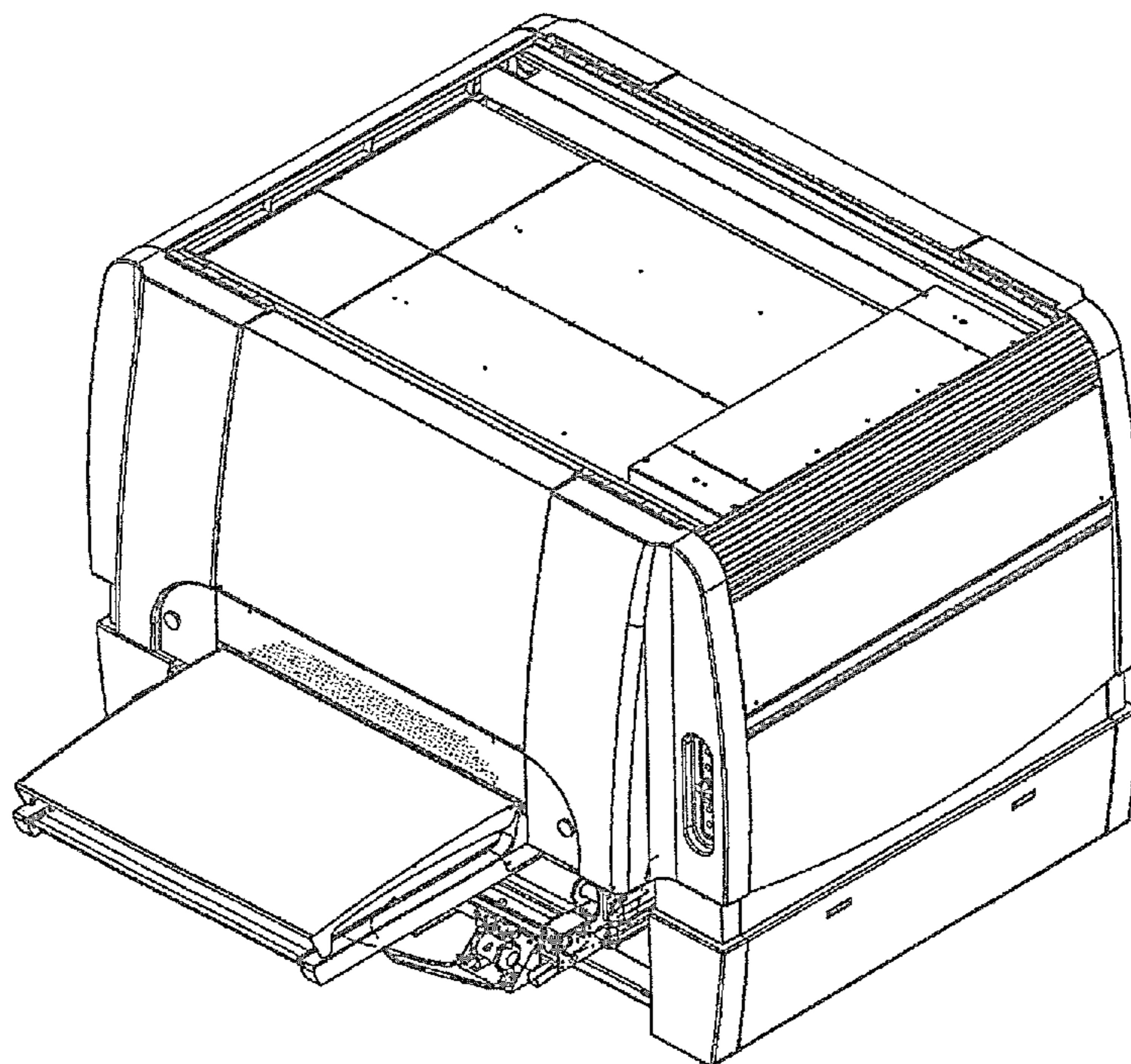
The ornamental design for a paint spray booth, as shown.

DESCRIPTION

FIG. 1 is a perspective view from the front and the left of a paint spray booth showing my new design.
 FIG. 2 is a front elevational view thereof.
 FIG. 3 is a rear elevational view thereof.
 FIG. 4 is a right side elevational view thereof.
 FIG. 5 is a left side elevational view thereof; and,
 FIG. 6 is a top plan view thereof.

The broken lines in the drawings depict unclaimed environmental subject matter.

1 Claim, 6 Drawing Sheets



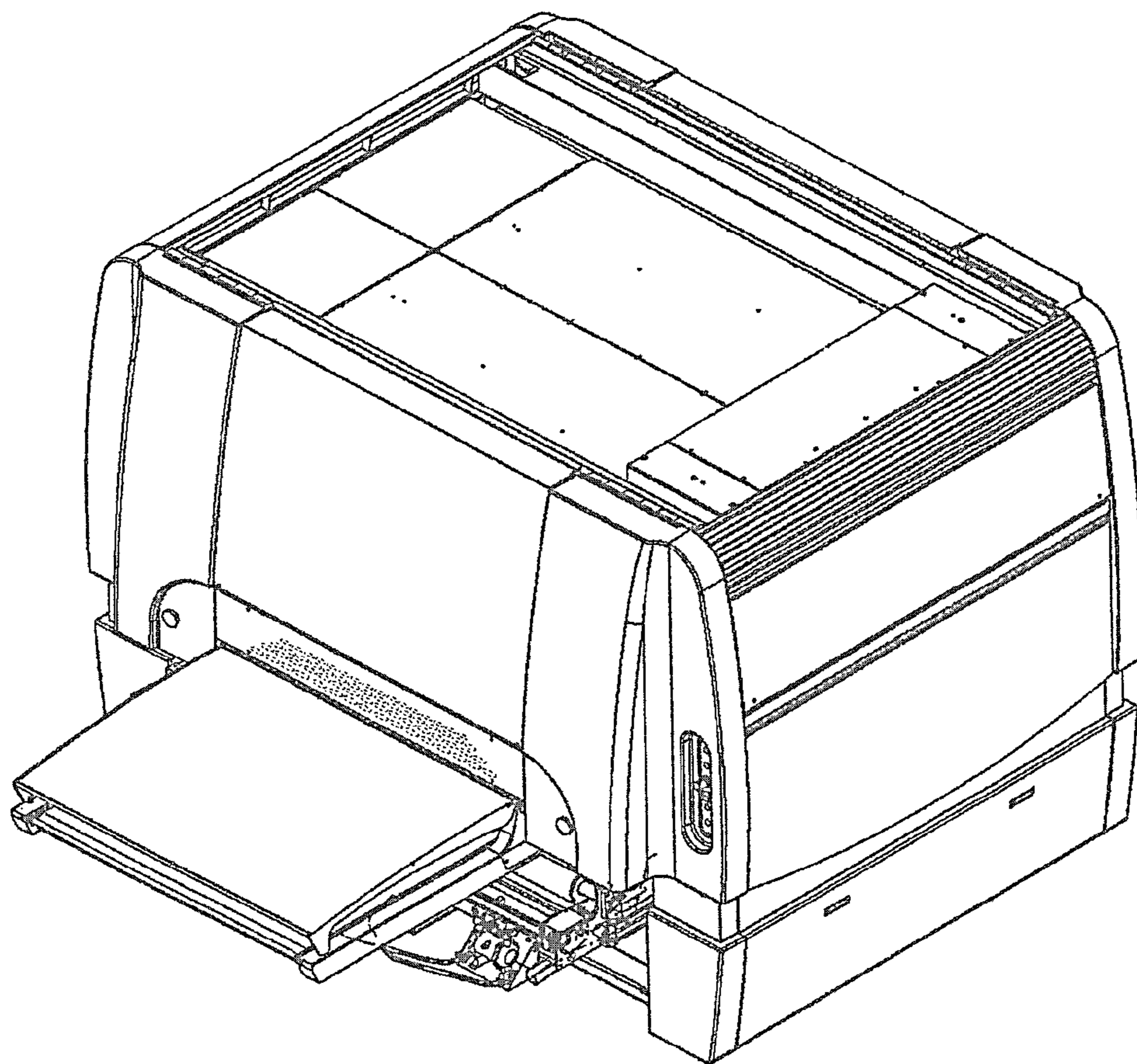


FIG. 1

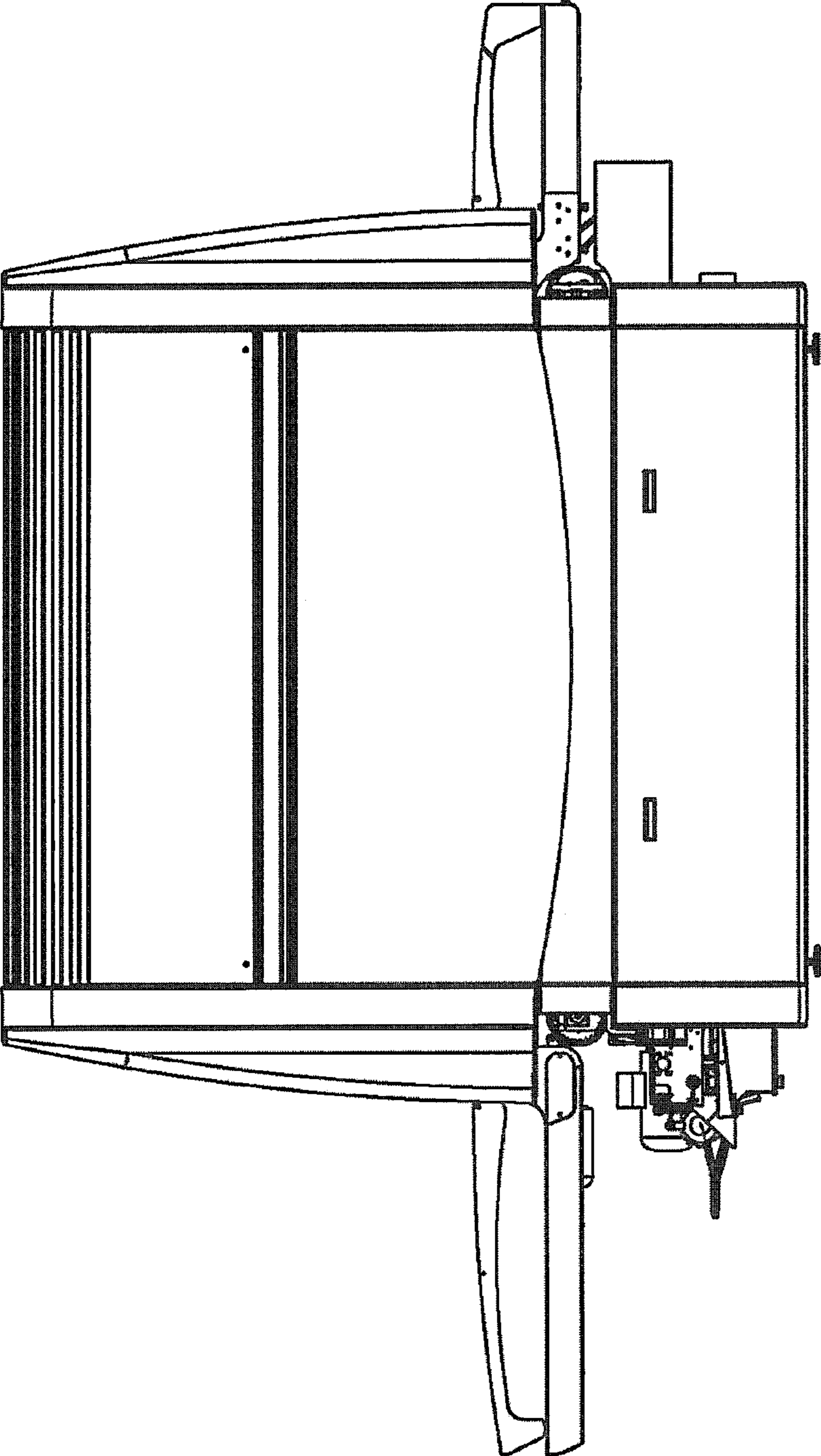


FIG. 2

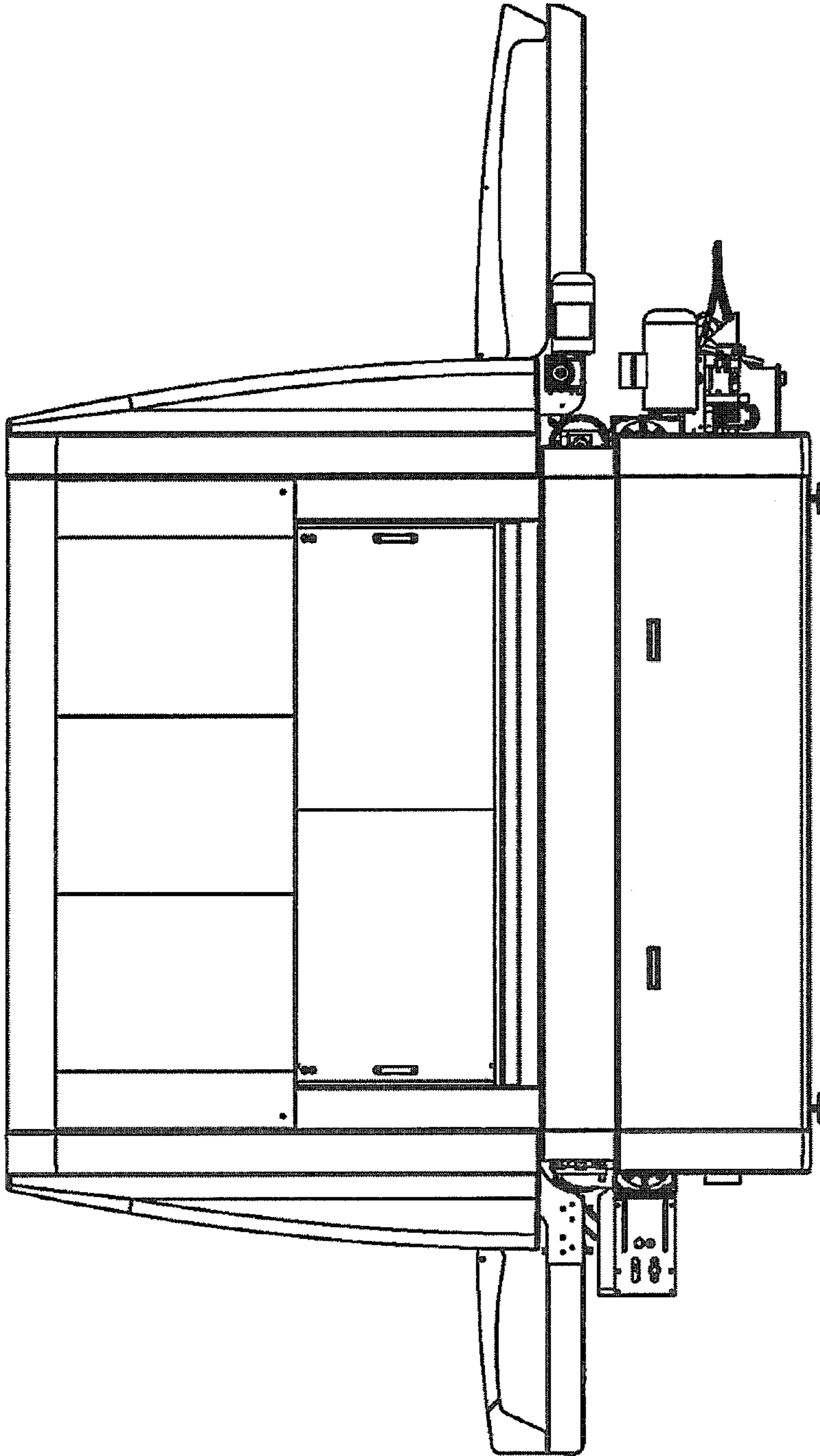


FIG. 3

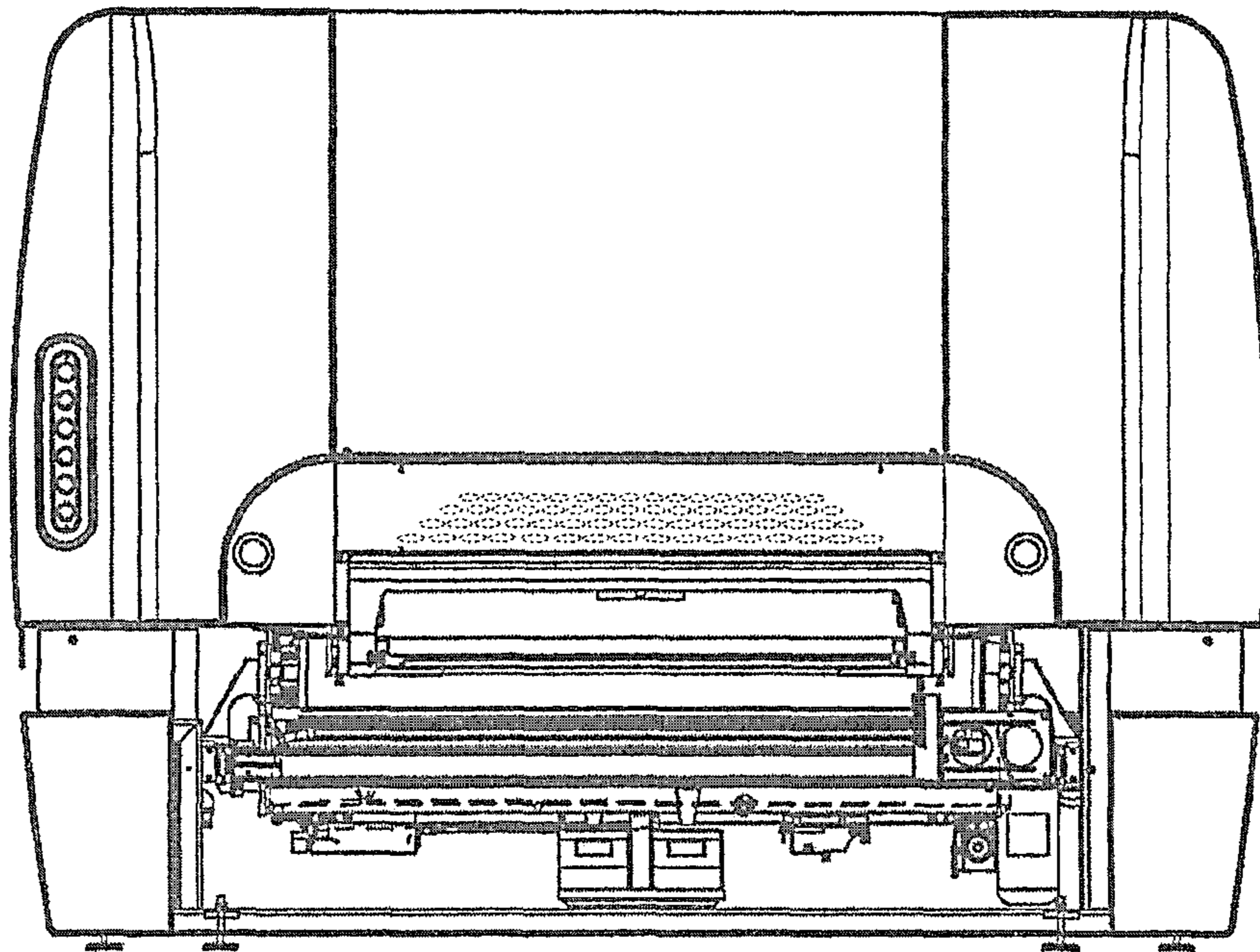


FIG. 4

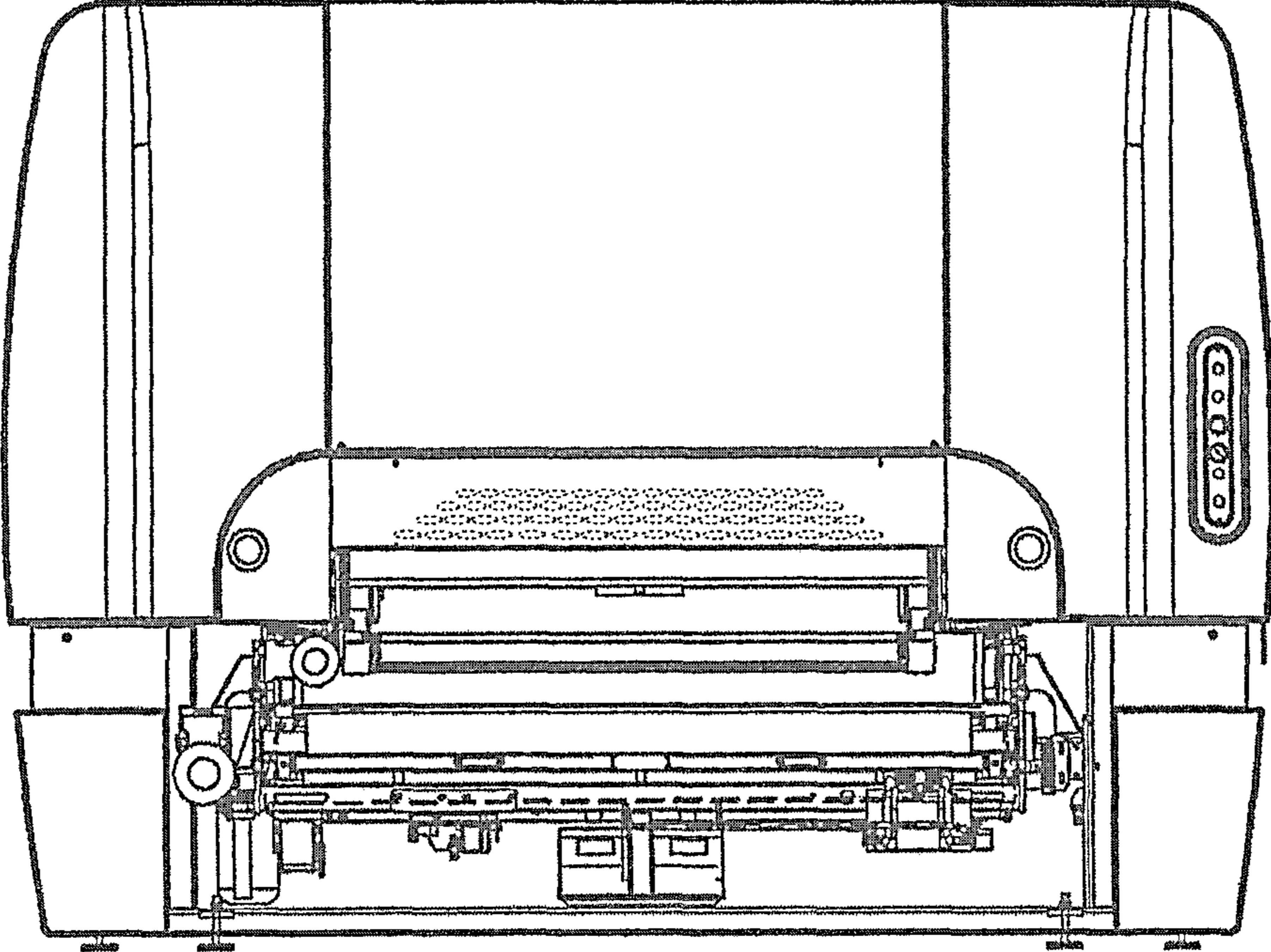


FIG. 5

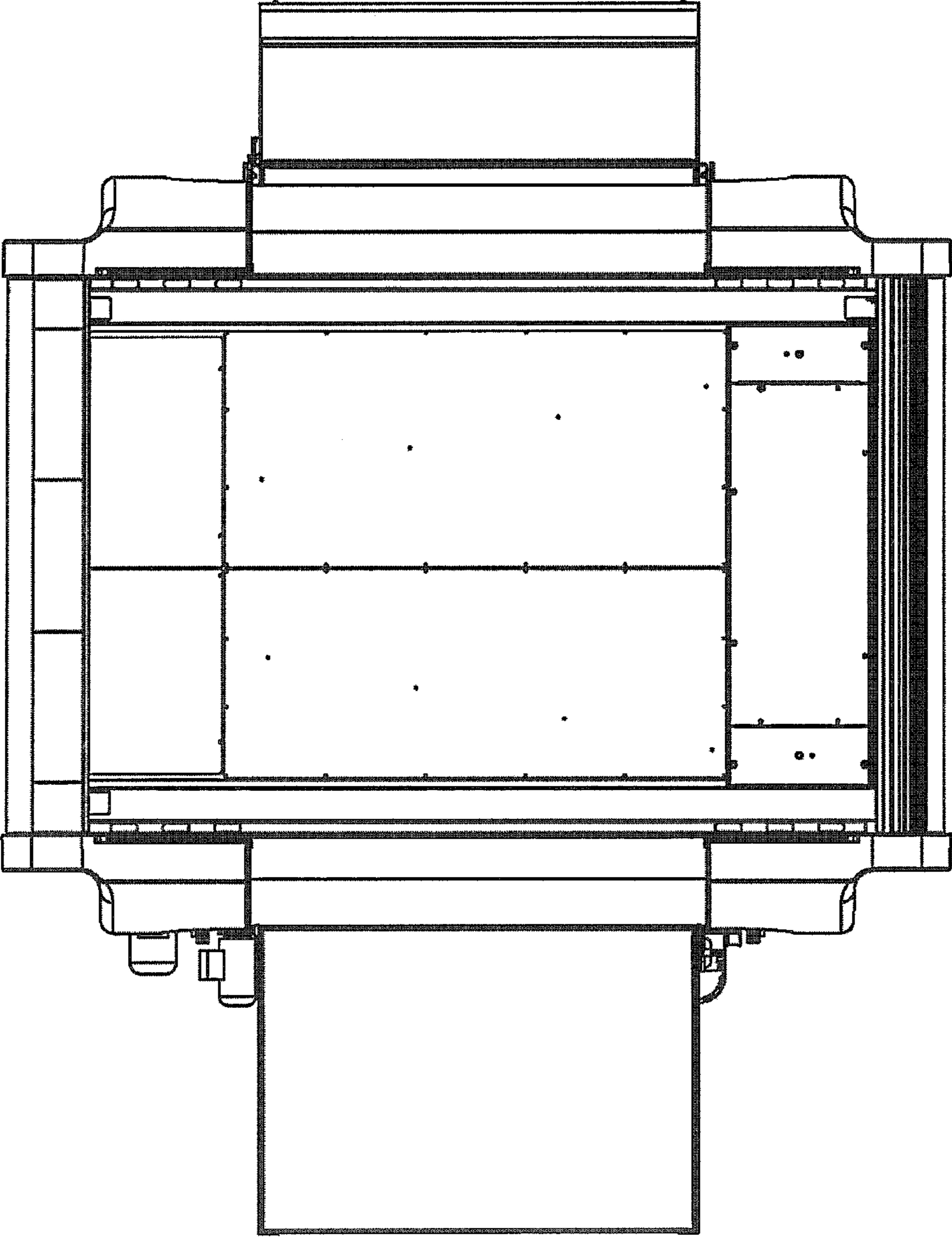


FIG. 6