



US00D732589S

(12) **United States Design Patent**  
**Culbertson et al.**

(10) **Patent No.:** **US D732,589 S**  
(45) **Date of Patent:** **\*\* Jun. 23, 2015**

(54) **NUCLEAR REACTOR BOILER DIVIDER  
PLATE SHIELD**

(71) Applicant: **American Ceramic Technology**, Poway,  
CA (US)

(72) Inventors: **Richard Culbertson**, Poway, CA (US);  
**Patrick Tony Pangacian**, SanDiego, CA  
(US)

(73) Assignee: **AMERICAN CERAMIC  
TECHNOLOGY**, Poway, CA (US)

(\*\*) Term: **14 Years**

(21) Appl. No.: **29/453,498**

(22) Filed: **Apr. 30, 2013**

(51) **LOC (10) Cl.** ..... **15-99**

(52) **U.S. Cl.**  
USPC ..... **D15/199**; D15/138

(58) **Field of Classification Search**  
USPC ..... D8/354, 366, 380; D15/138, 199  
See application file for complete search history.

(56) **References Cited**

**U.S. PATENT DOCUMENTS**

2,911,458	A *	11/1959	McKee	.....	174/395
2,951,108	A *	8/1960	Woods	.....	174/395
3,005,174	A *	10/1961	Pifer	.....	439/607.59
3,036,145	A *	5/1962	Murphy	.....	174/395
3,109,050	A *	10/1963	Lusic	.....	174/395
3,307,121	A *	2/1967	Loos	.....	334/6
4,127,776	A *	11/1978	Pickel	.....	378/156
4,913,876	A *	4/1990	Lettau et al.	.....	376/444
5,154,648	A *	10/1992	Buckshaw	.....	165/134.1
5,168,235	A *	12/1992	Bonner	.....	324/508
5,474,123	A *	12/1995	Buckshaw	.....	165/134.1
5,884,695	A *	3/1999	Brownlee	.....	165/134.1
6,939,434	B2 *	9/2005	Collins et al.	.....	156/345.35

D596,020	S *	7/2009	Lisowski	.....	D8/380
2003/0123600	A1 *	7/2003	Hesketh et al.	.....	376/435
2004/0076253	A1 *	4/2004	Soderlund et al.	.....	376/310
2005/0105677	A1 *	5/2005	Yoon et al.	.....	376/462
2006/0227923	A1 *	10/2006	Brashier et al.	.....	376/364
2008/0110602	A1 *	5/2008	Woodson	.....	165/134.1
2008/0152069	A1 *	6/2008	Aktas et al.	.....	376/362
2009/0060117	A1 *	3/2009	Yoon et al.	.....	376/439
2009/0252280	A1 *	10/2009	Lutz	.....	376/431
2010/0101511	A1 *	4/2010	Nordh	.....	122/512

\* cited by examiner

*Primary Examiner* — Patricia Palasik

(74) *Attorney, Agent, or Firm* — Mastermind IP Law P.C.;  
Diane L. Gardner

(57) **CLAIM**

The ornamental design for a nuclear reactor boiler divider  
plate shield, substantially as shown and described.

**DESCRIPTION**

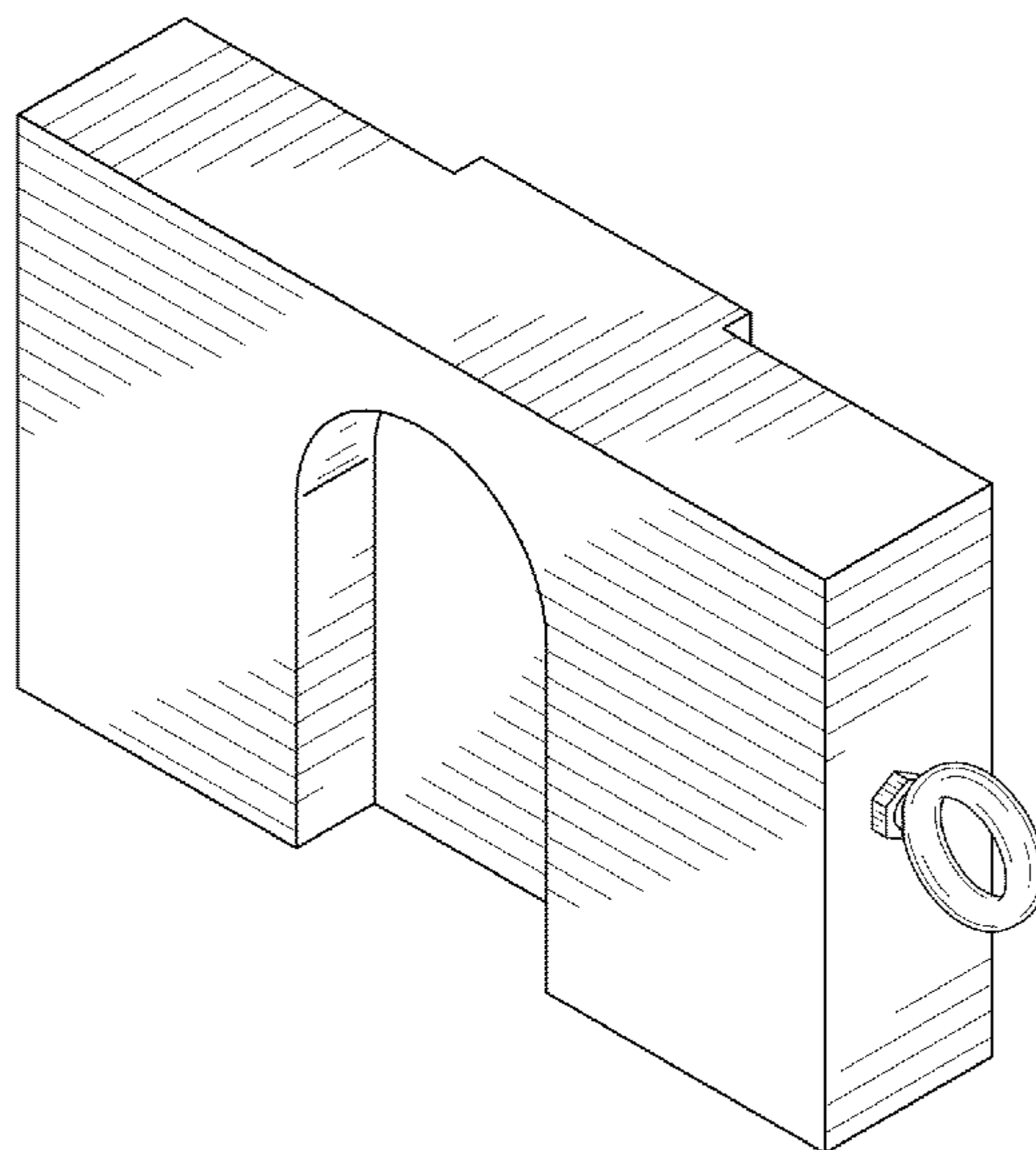
FIG. 1 is a front perspective view of a nuclear reactor divider  
plate shield showing the new design;  
FIG. 2 is a rear perspective view thereof;  
FIG. 3 is a front view thereof;  
FIG. 4 is a rear view thereof;  
FIG. 5 is a top view thereof;  
FIG. 6 is a bottom view thereof;  
FIG. 7 is a side view thereof; and,  
FIG. 8 is a side view thereof.

The claimed design can be used, for example, as radiation  
shielding.

Applicant reserves the right to modify any of the figures to  
show, in line drawing format, any feature depicted in solid  
lines in dashed lines.

Applicant reserves the right to file one or more divisional  
applications to specifically claim or disclaim certain features  
depicted in the figures.

**1 Claim, 3 Drawing Sheets**



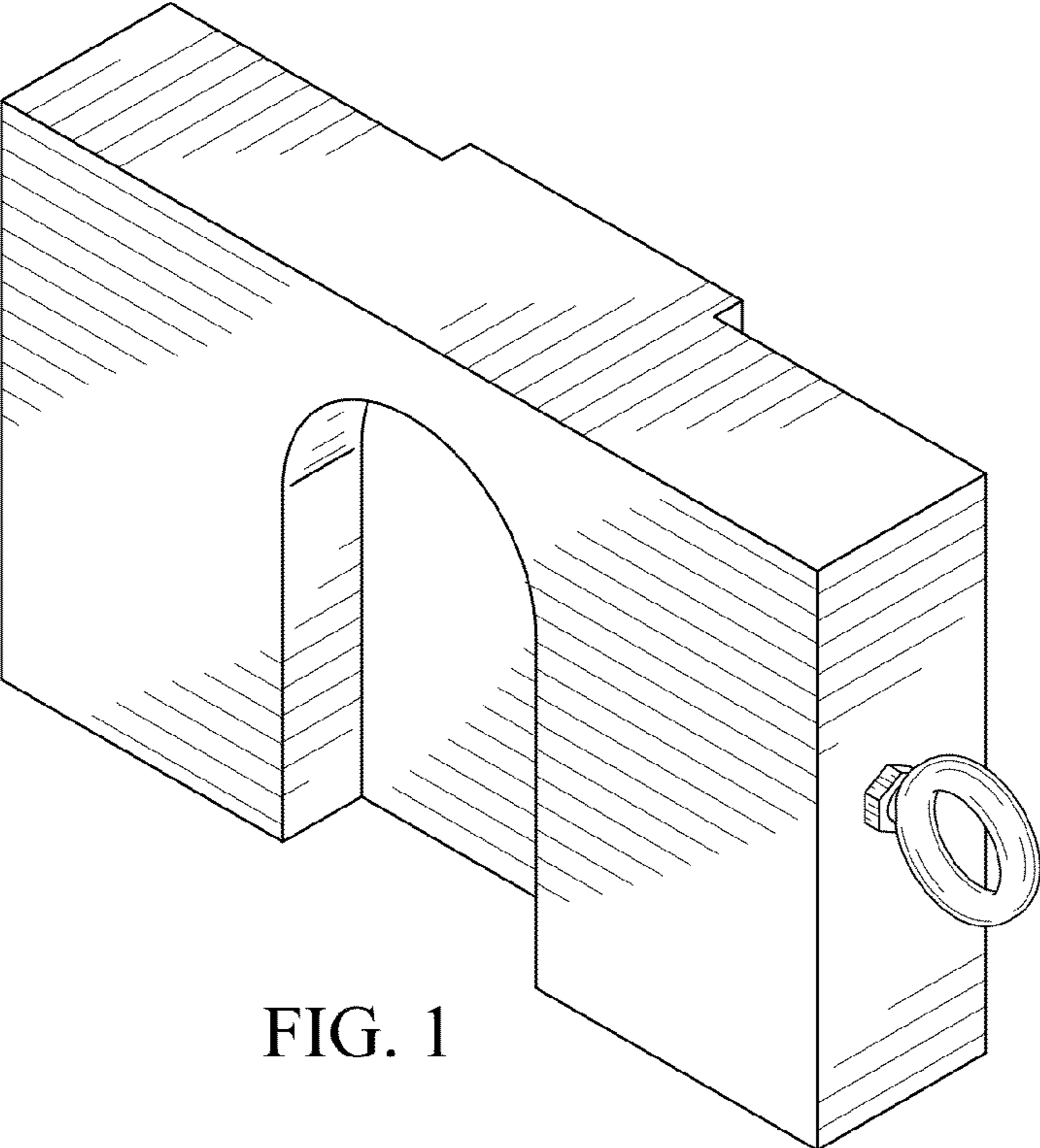


FIG. 1

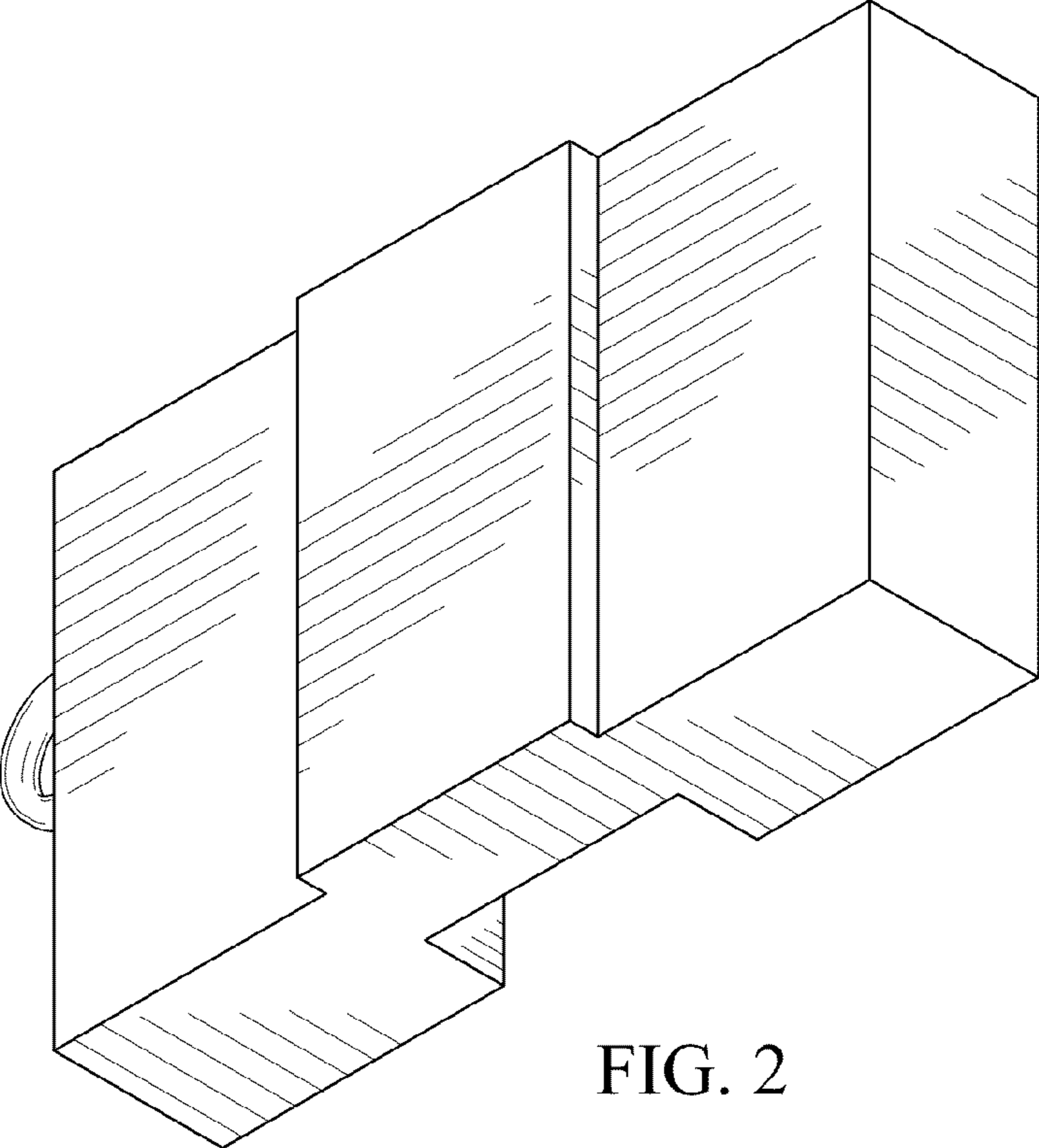


FIG. 2

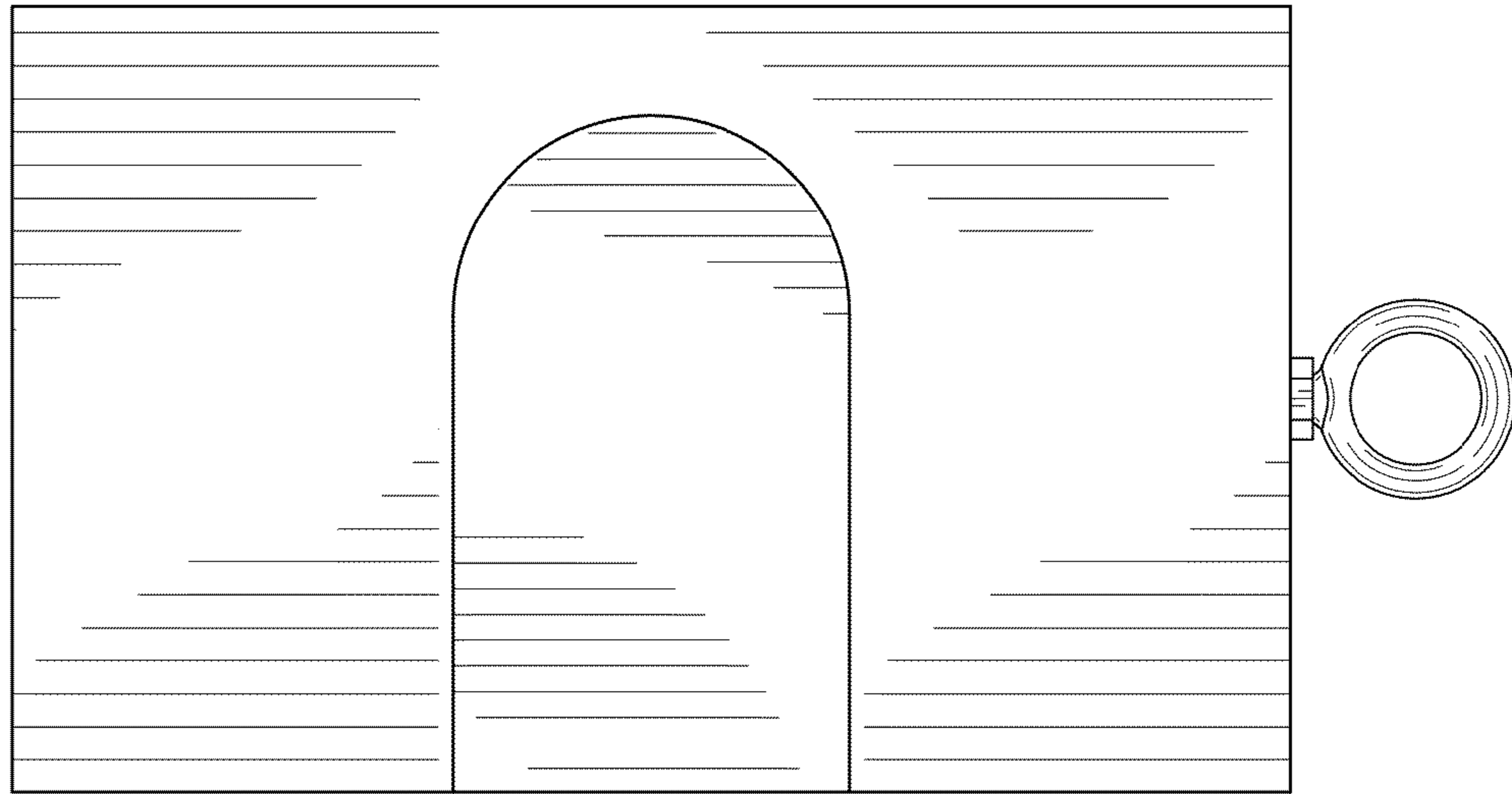


FIG. 3

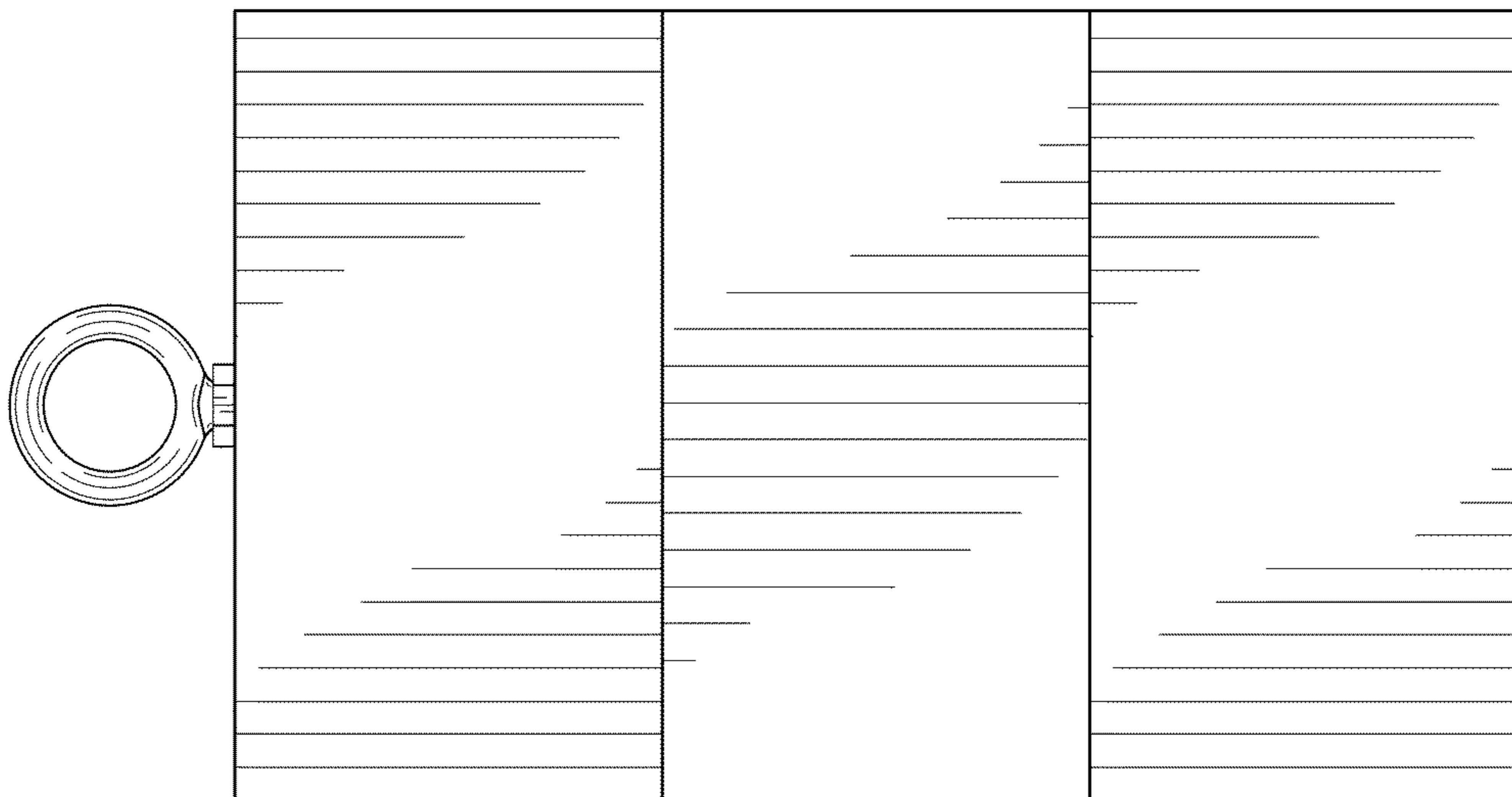


FIG. 4

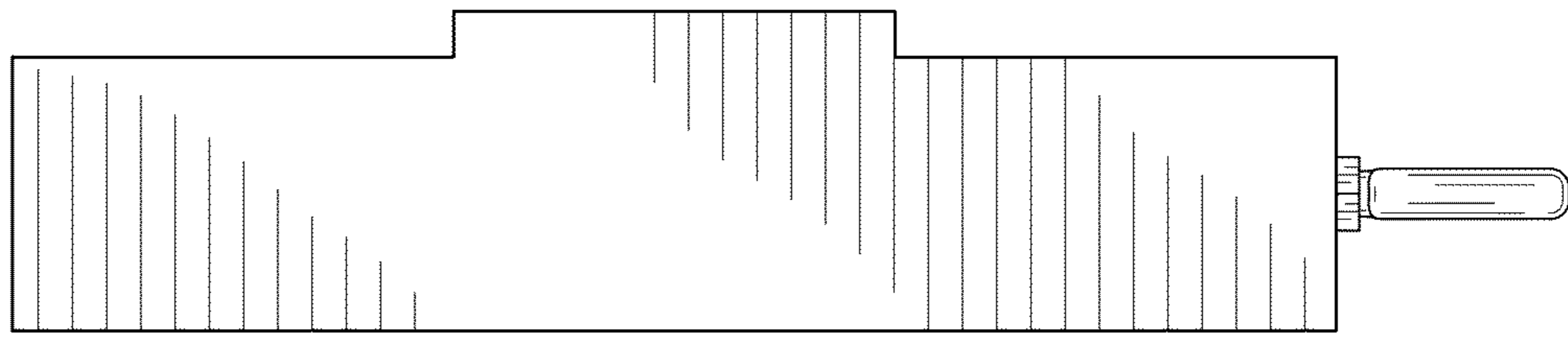


FIG. 5

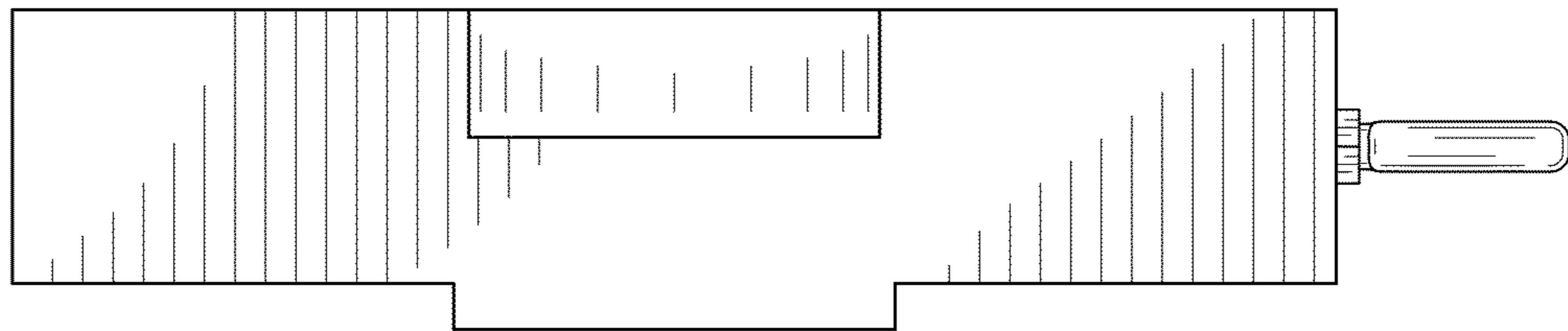


FIG. 6

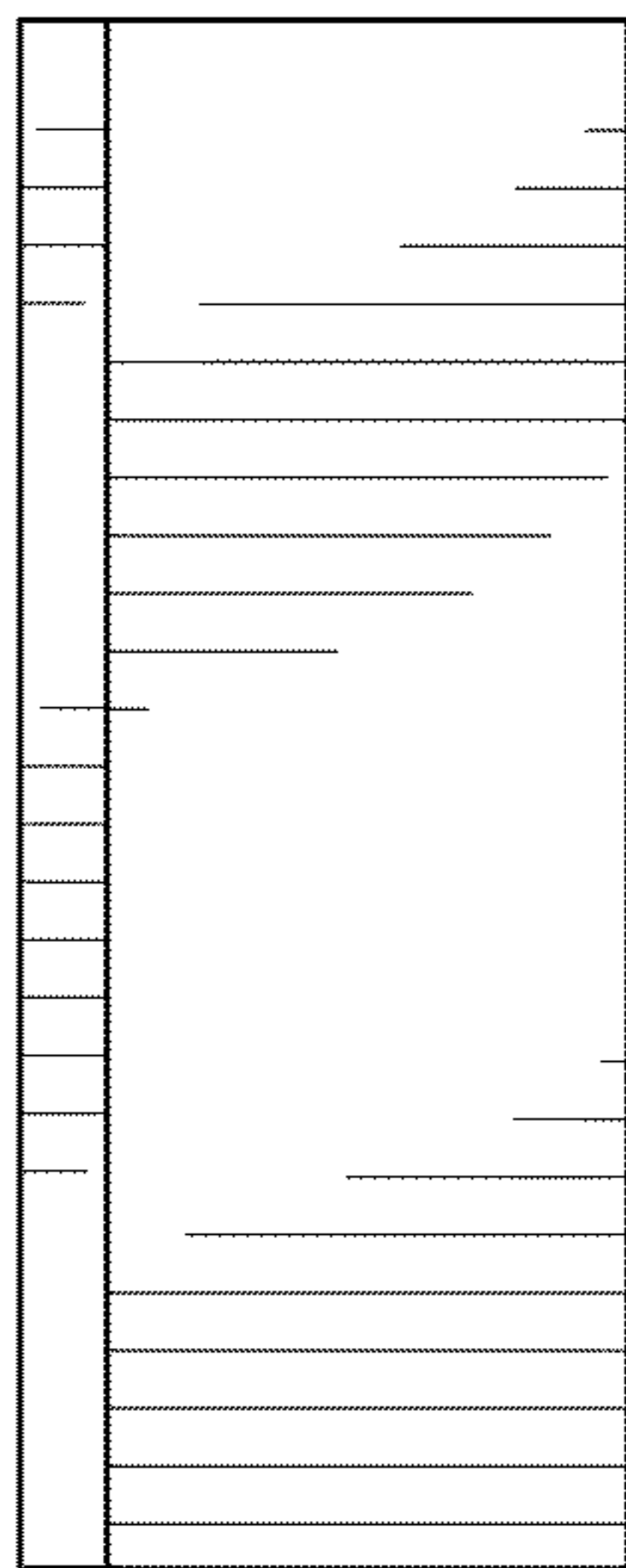


FIG. 7

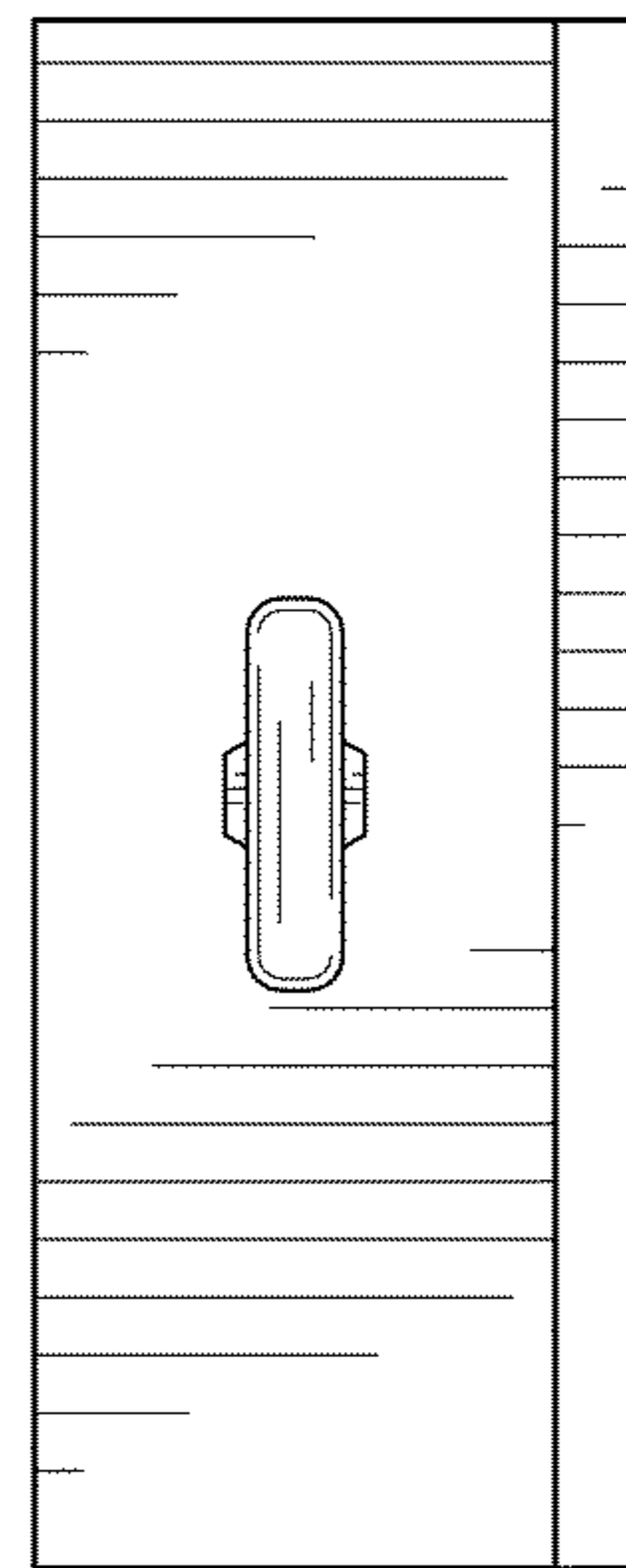


FIG. 8