



US00D732588S

(12) **United States Design Patent**
Lin et al.

(10) **Patent No.:** **US D732,588 S**
(45) **Date of Patent:** **** Jun. 23, 2015**

(54) **3D PRINTER**

(71) Applicants: **XYZPRINTING, INC.**, New Taipei (TW); **KINPO ELECTRONICS, INC.**, New Taipei (TW); **CAL-COMP ELECTRONICS & COMMUNICATIONS COMPANY LIMITED**, New Taipei (TW)

(72) Inventors: **Yu-Hao Lin**, New Taipei (TW); **Li-Wei Chen**, New Taipei (TW); **Hua Liu**, New Taipei (TW)

(73) Assignees: **XYZPRINTING, INC.**, New Taipei (TW); **KINPO ELECTRONICS, INC.**, New Taipei (TW); **CAL-COMP ELECTRONICS & COMMUNICATIONS COMPANY LIMITED**, New Taipei (TW)

(**) Term: **14 Years**

(21) Appl. No.: **29/513,653**

(22) Filed: **Jan. 5, 2015**

(51) **LOC (10) Cl.** **15-09**

(52) **U.S. Cl.**
USPC **D15/122**

(58) **Field of Classification Search**
USPC D15/122, 135; D18/14, 19, 36-39, 50, D18/53, 54, 54.1, 55
See application file for complete search history.

(56) **References Cited**

U.S. PATENT DOCUMENTS

| | | | | | | |
|----------|---|---|---------|---------------|-------|---------|
| D207,059 | S | * | 2/1967 | Regal | | D14/469 |
| D298,943 | S | * | 12/1988 | Haager et al. | | D14/311 |
| D308,221 | S | * | 5/1990 | Kojima | | D18/54 |
| D325,927 | S | * | 5/1992 | Fushiya | | D18/54 |
| D341,827 | S | * | 11/1993 | Lai et al. | | D14/308 |
| D362,673 | S | * | 9/1995 | Yamamoto | | D18/19 |
| D363,734 | S | * | 10/1995 | Bianco et al. | | D18/50 |

| | | | | | | |
|-----------|----|---|---------|-----------------|-------|-----------|
| 5,885,511 | A | * | 3/1999 | Heller et al. | | 264/401 |
| 5,939,008 | A | * | 8/1999 | Comb et al. | | 264/308 |
| D420,371 | S | * | 2/2000 | Strong et al. | | D15/135 |
| D432,160 | S | * | 10/2000 | Kabumoto et al. | | D18/37 |
| D450,757 | S | * | 11/2001 | Okamura | | D18/55 |
| 6,792,398 | B1 | * | 9/2004 | Handley et al. | | 703/2 |
| D501,502 | S | * | 2/2005 | Scully et al. | | D18/50 |
| D506,465 | S | * | 6/2005 | Geeng | | D14/308 |
| 7,027,887 | B2 | * | 4/2006 | Gaylo et al. | | 700/117 |
| 7,168,935 | B1 | * | 1/2007 | Taminger et al. | | 425/174.4 |
| D565,648 | S | * | 4/2008 | Egami | | D18/50 |
| D598,906 | S | * | 8/2009 | Chiba et al. | | D14/240 |
| D602,019 | S | * | 10/2009 | Wang et al. | | D14/356 |
| 7,686,995 | B2 | * | 3/2010 | Davidson et al. | | 264/113 |
| 7,819,055 | B2 | * | 10/2010 | Tezuka et al. | | 101/38.1 |
| 8,252,223 | B2 | * | 8/2012 | Medina et al. | | 264/401 |
| D677,723 | S | * | 3/2013 | Buel et al. | | D18/59 |
| D688,741 | S | * | 8/2013 | Joyce | | D18/50 |

(Continued)

Primary Examiner — Patricia Palasik

(74) *Attorney, Agent, or Firm* — Chun-Ming Shih; HDLS IPR Services

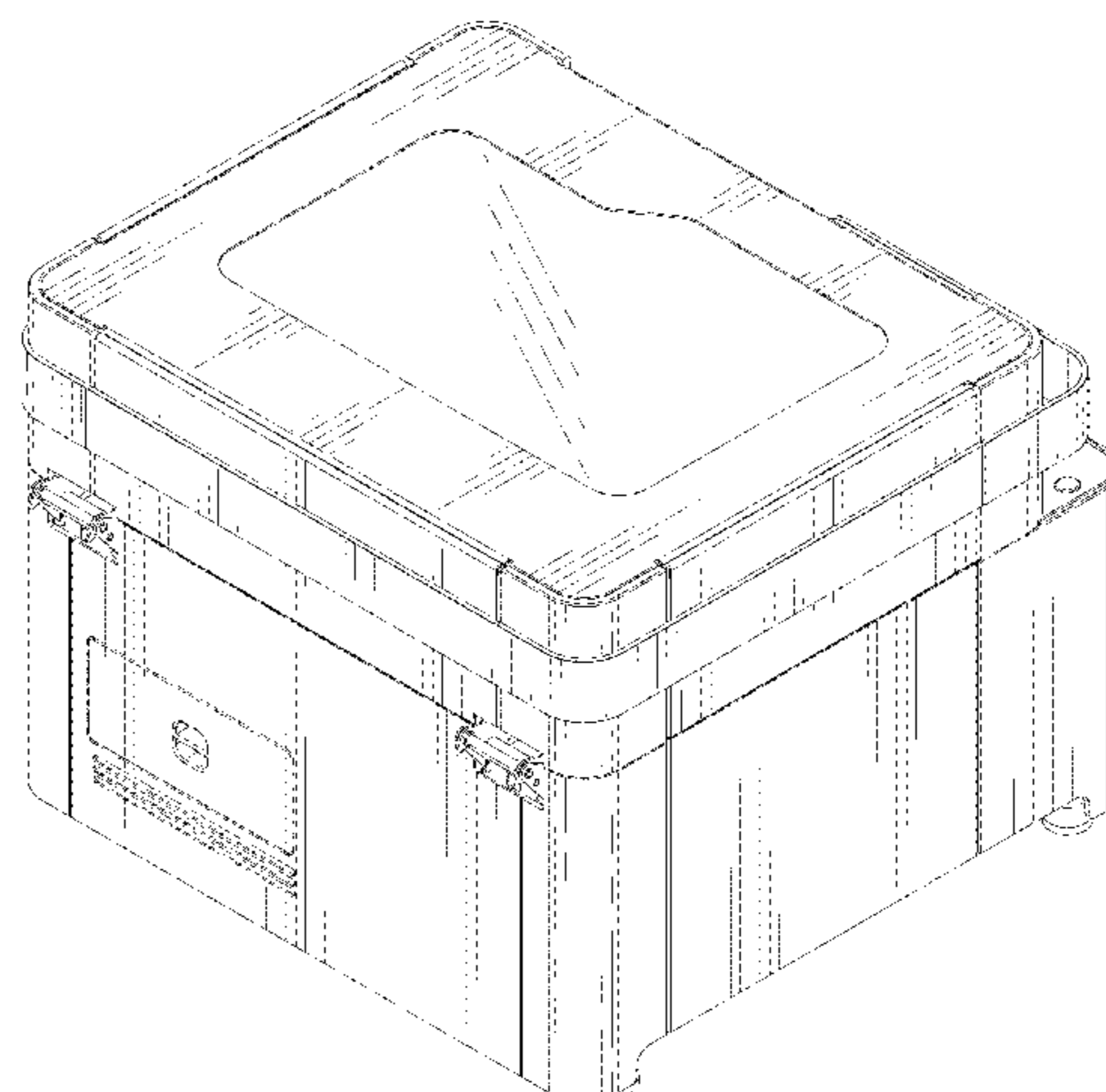
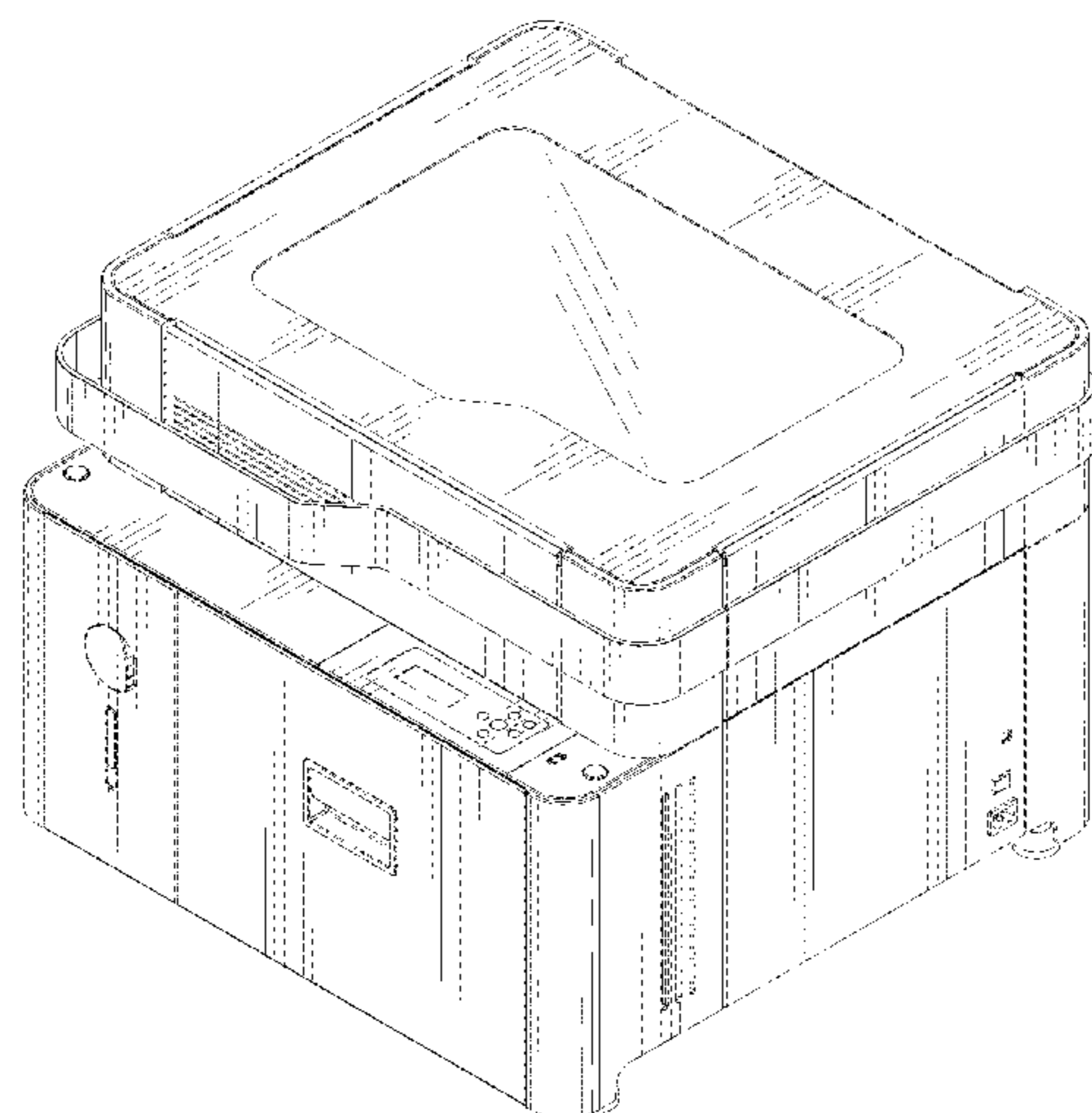
(57) **CLAIM**

The ornamental design for a 3D printer, as shown and described.

DESCRIPTION

FIG. 1 is a perspective view of a 3D printer showing our new design;
FIG. 2 is a front view thereof;
FIG. 3 is a rear view thereof;
FIG. 4 is a left side view thereof;
FIG. 5 is a right side view thereof;
FIG. 6 is a top view thereof;
FIG. 7 is a bottom view thereof;
FIG. 8 is the other perspective view showing the 3D printer; and,
FIG. 9 is a perspective view, with the 3D printer open, in an alternate condition of use.
The broken lines shown represent unclaimed environmental subject matter and form no part of the claimed design.

1 Claim, 7 Drawing Sheets



(56)

References Cited

U.S. PATENT DOCUMENTS

| | | | | | | | |
|----------------|---------|------------------------|-----------|-------------------|---------|---------------------|---------|
| 8,568,649 B1 * | 10/2013 | Balistreri et al. | 264/642 | D722,108 S * | 2/2015 | Reches et al. | D18/50 |
| D711,463 S * | 8/2014 | Costabeber | D18/50 | 8,945,456 B2 * | 2/2015 | Zenere | 264/401 |
| 8,894,400 B2 * | 11/2014 | Costabeber | 425/174.4 | 8,960,873 B2 * | 2/2015 | Hara | 347/86 |
| | | | | 2004/0262803 A1 * | 12/2004 | Neilsen et al. | 264/113 |

* cited by examiner

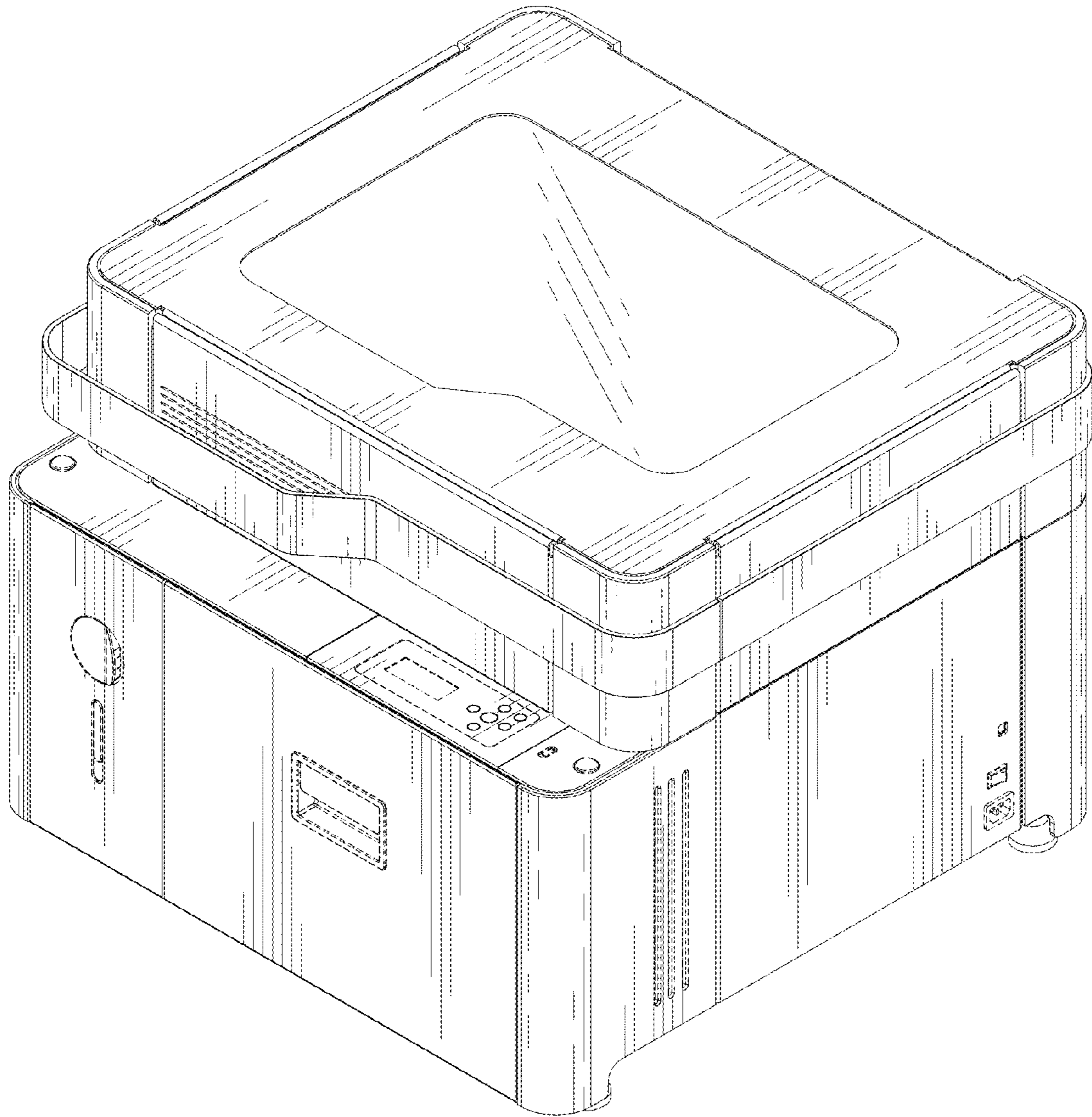


FIG.1

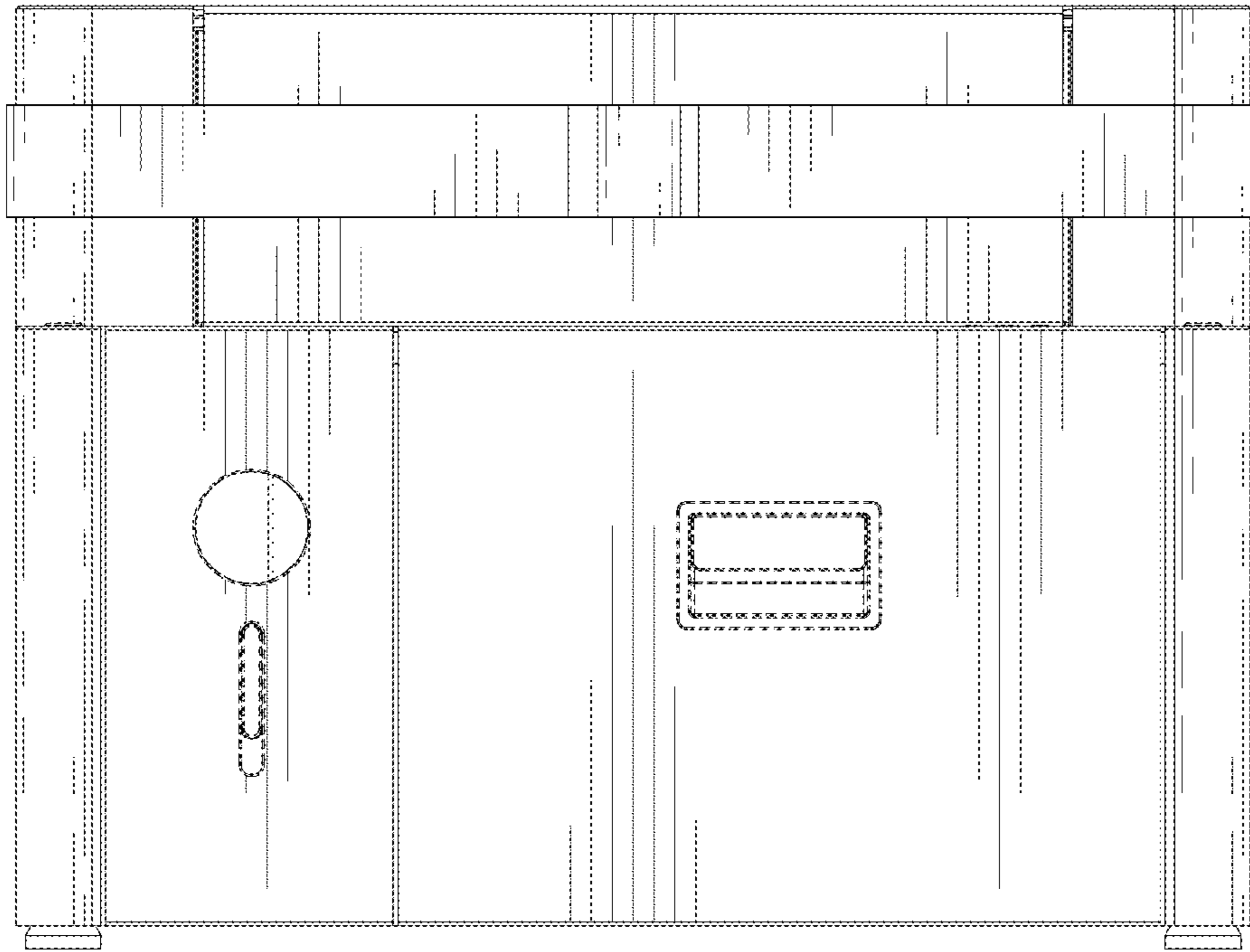


FIG. 2

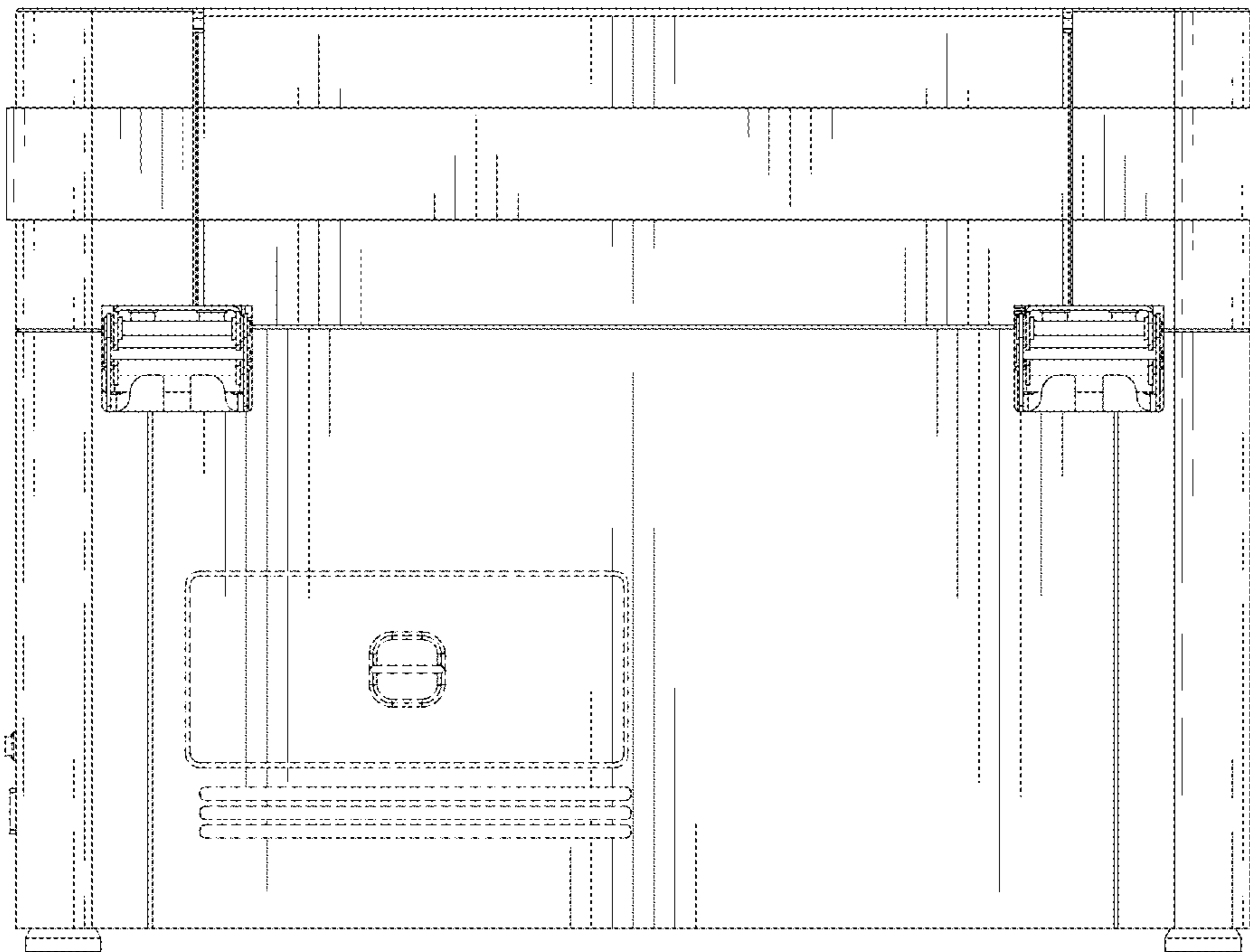


FIG. 3

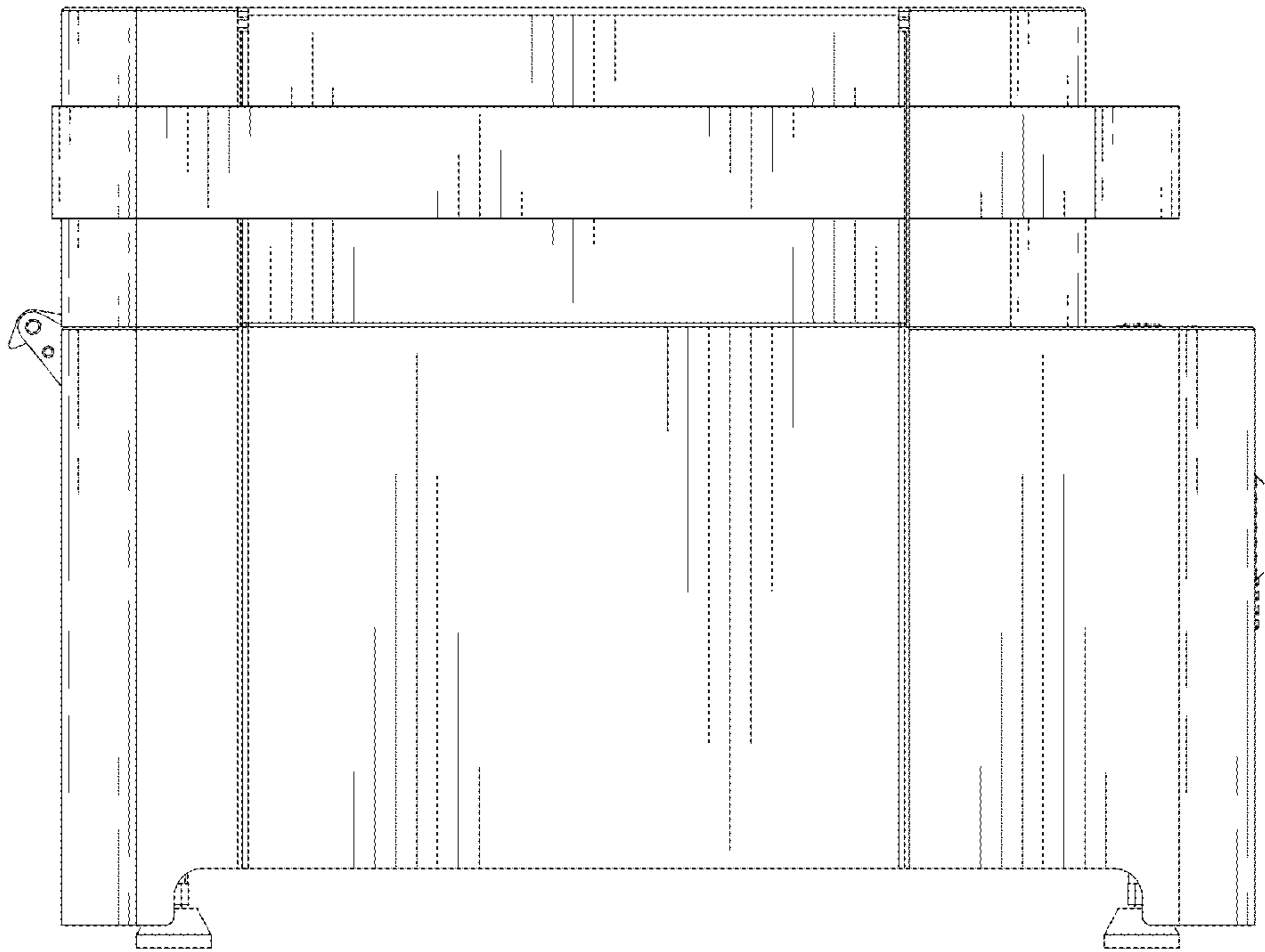


FIG. 4

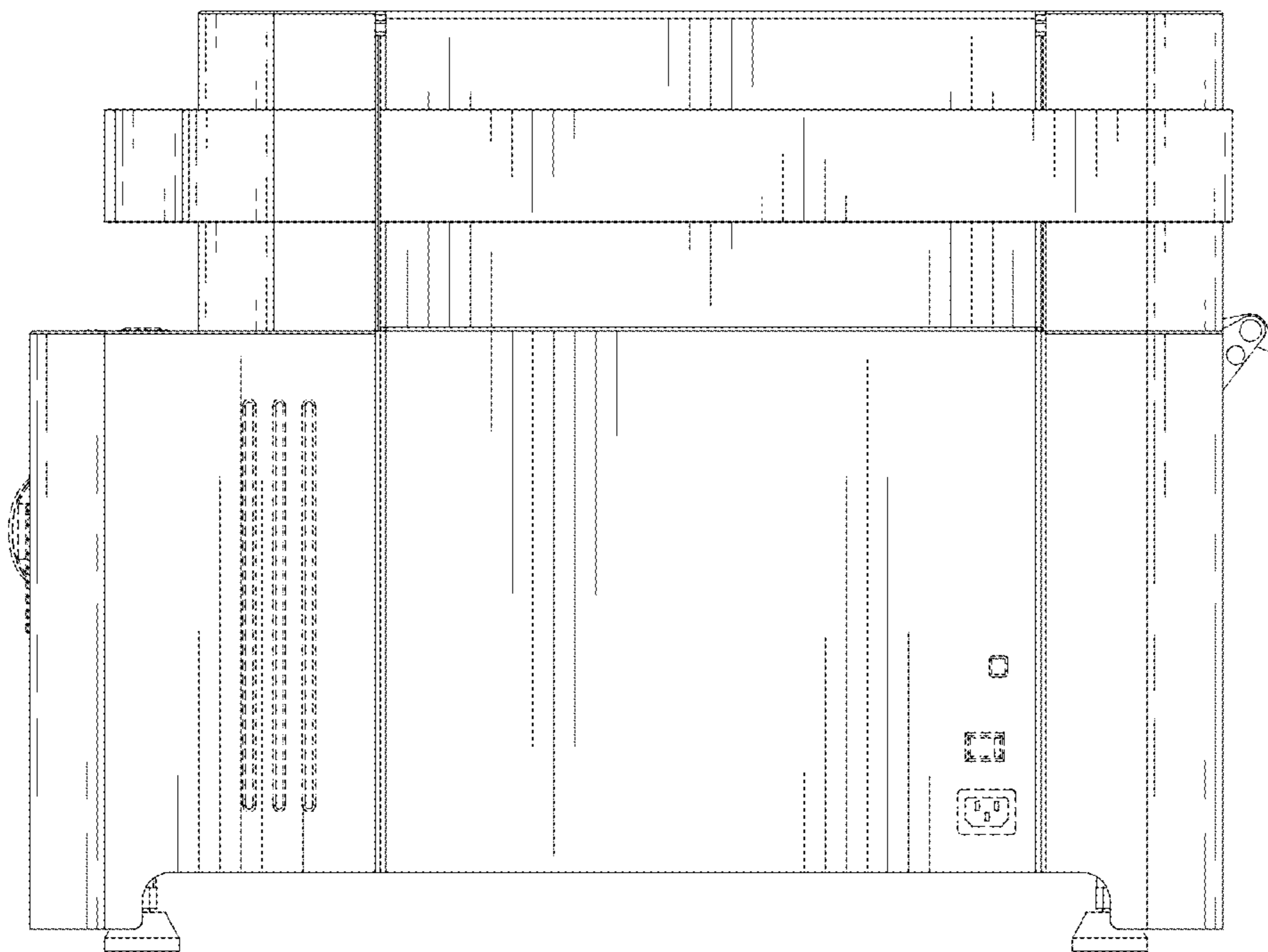


FIG. 5

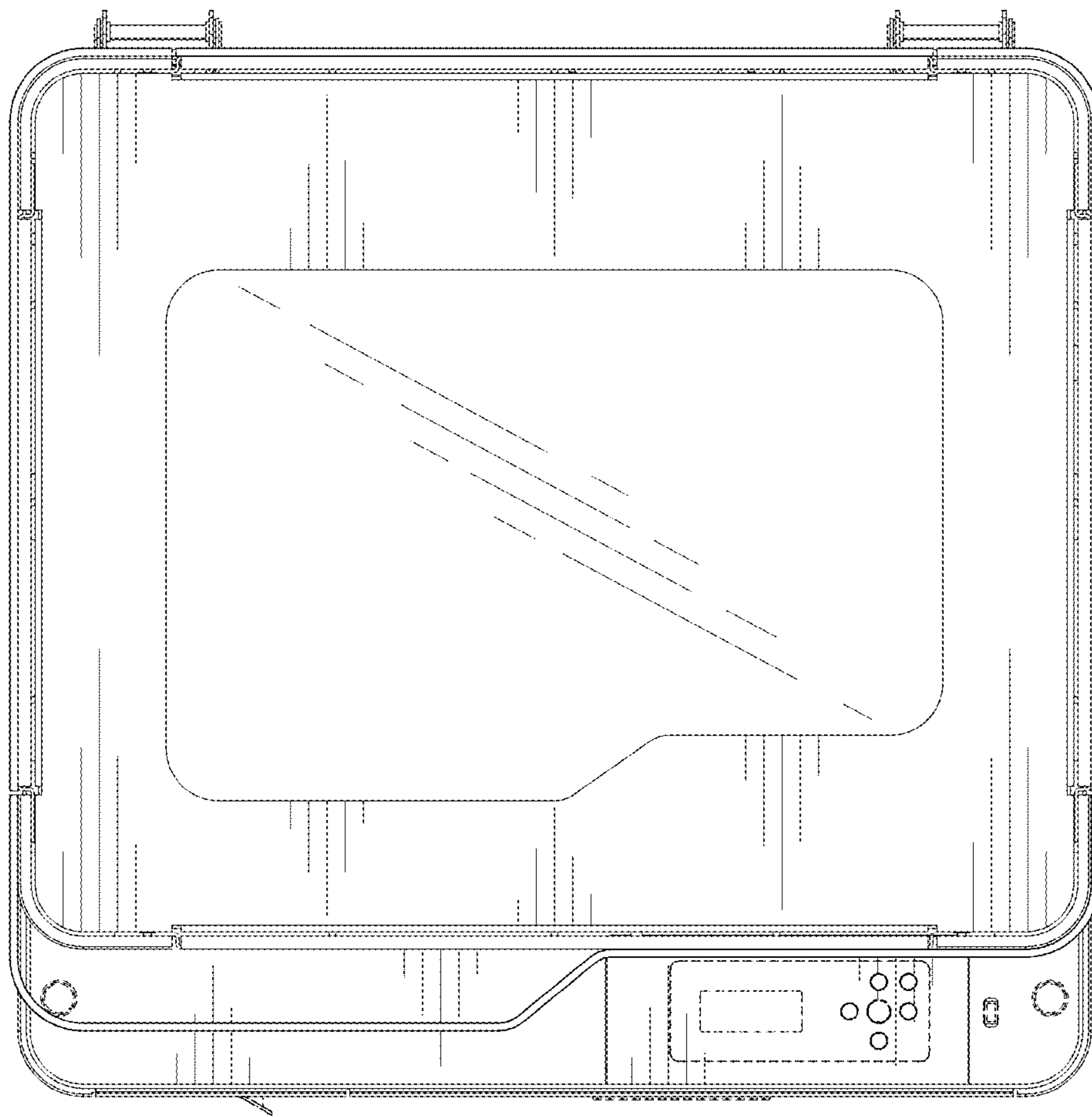


FIG.6

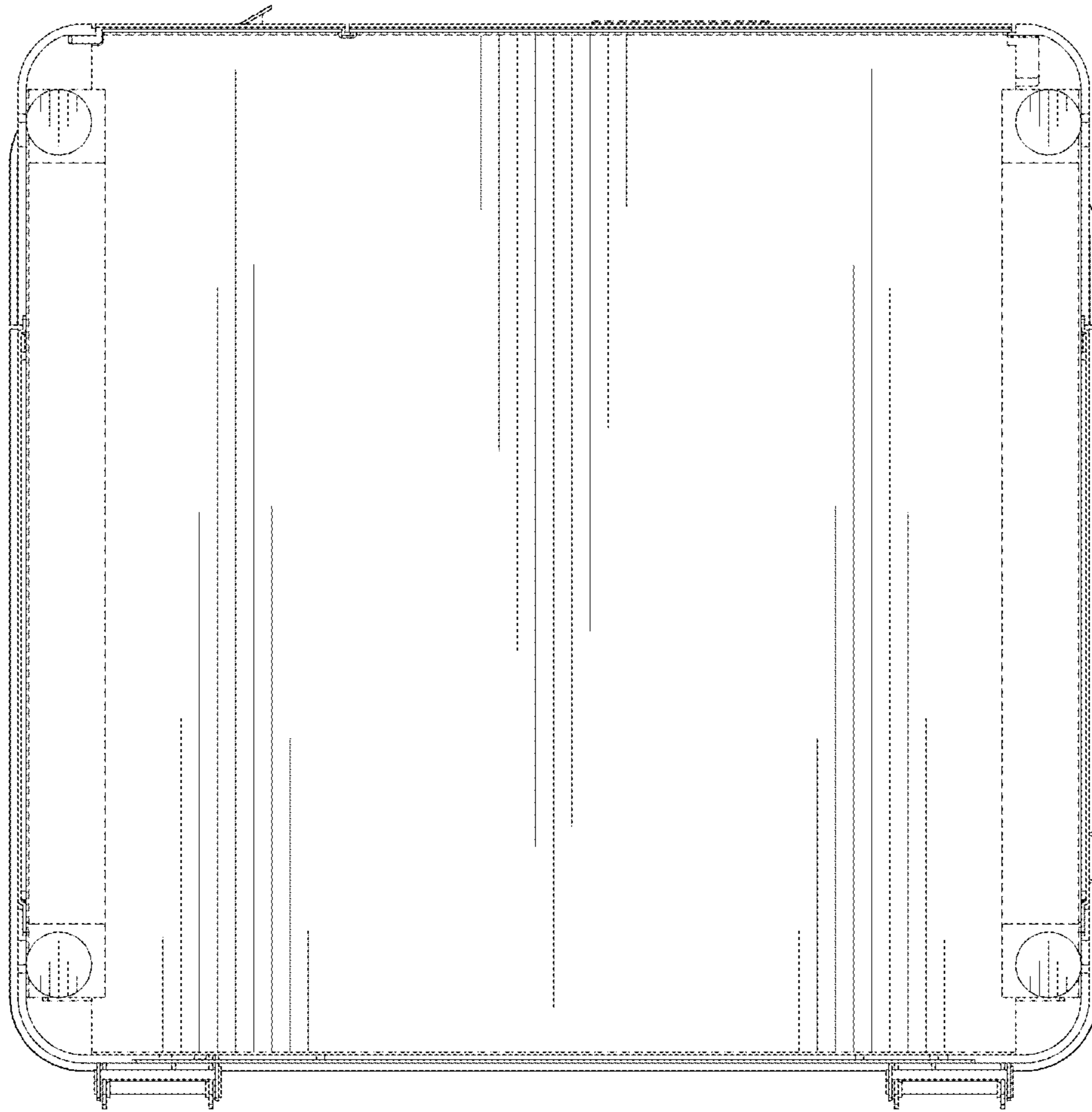


FIG.7

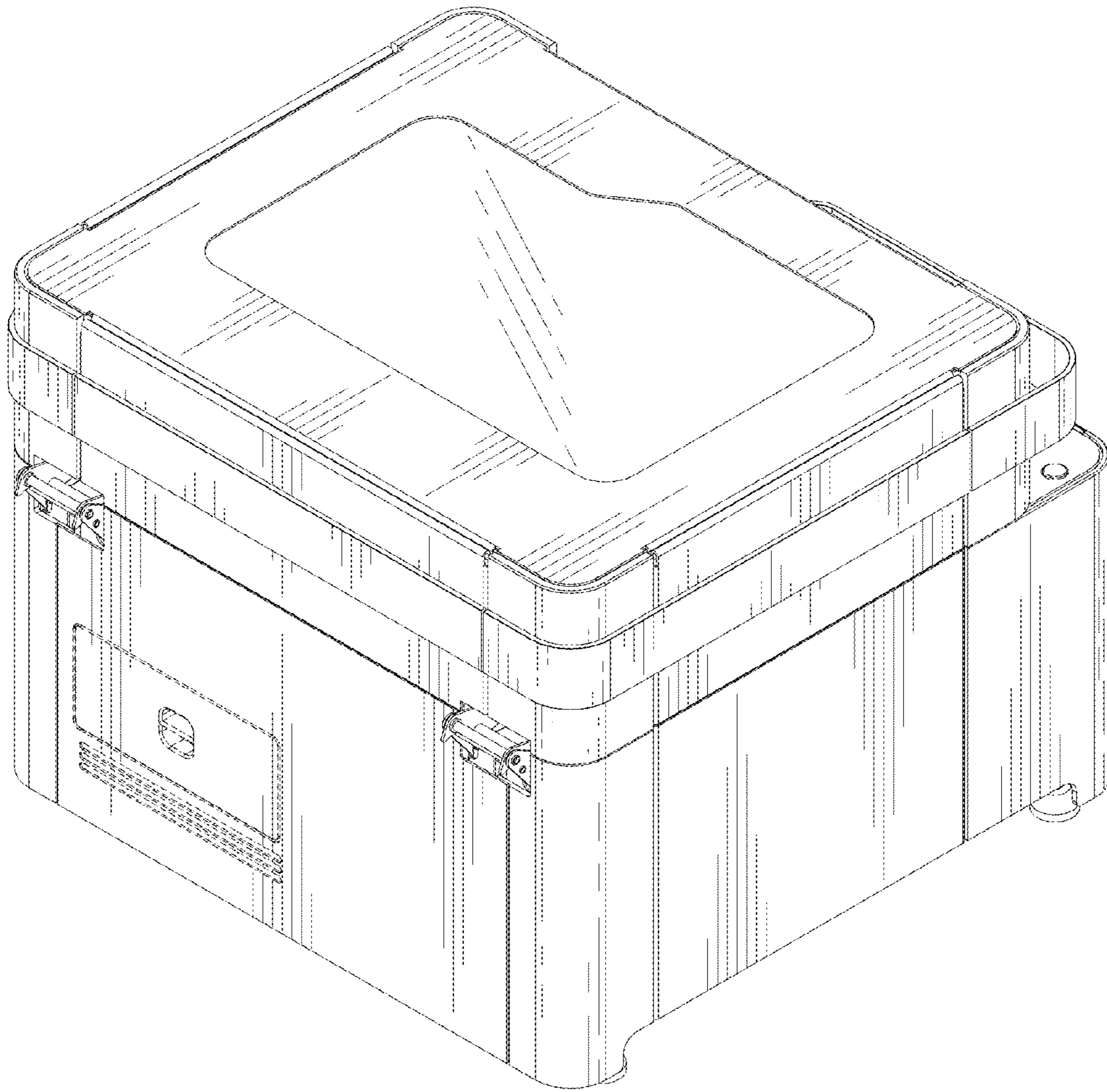


FIG.8

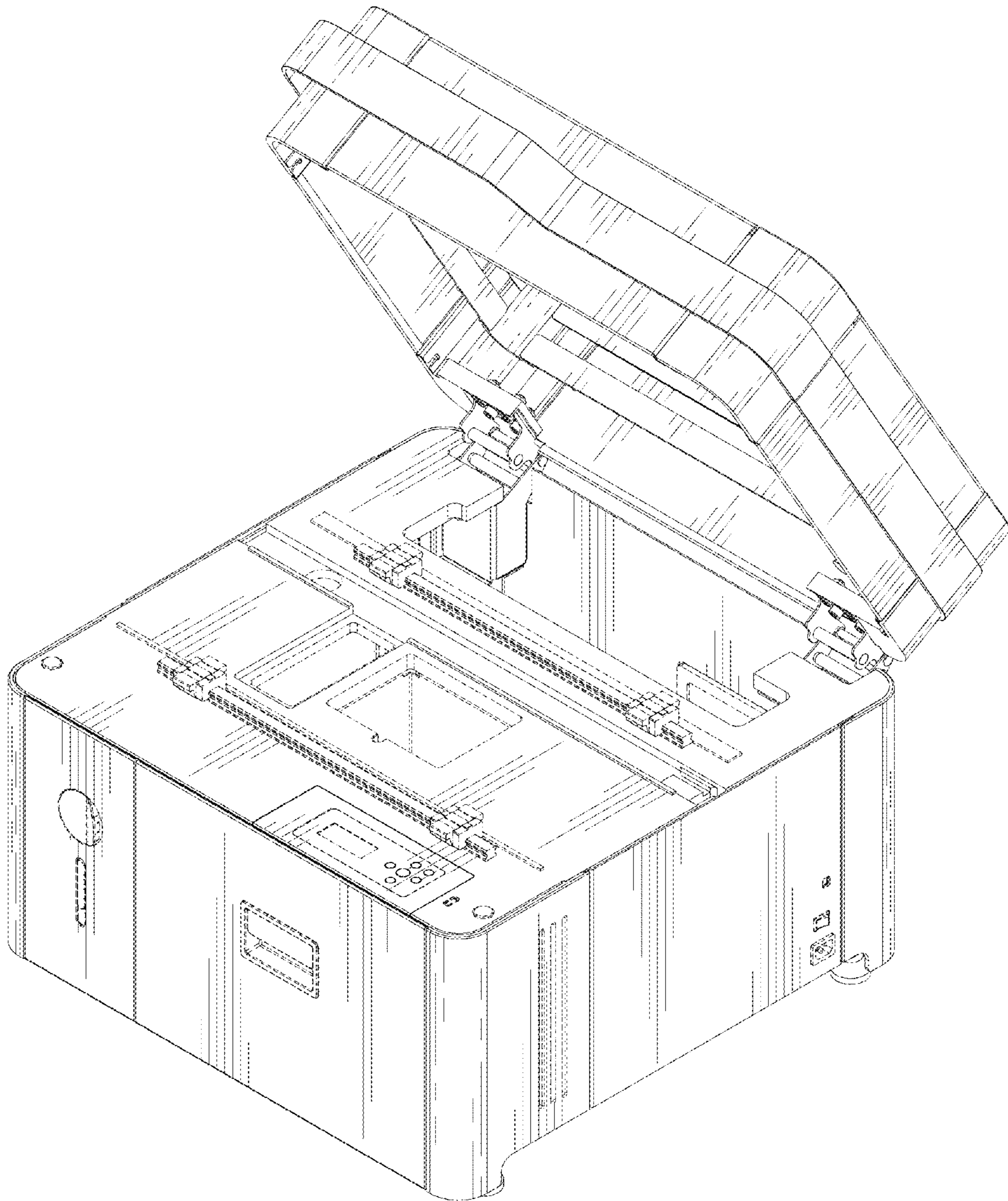


FIG.9