

US00D732587S

(12) **United States Design Patent**  
**Hsu et al.**

(10) **Patent No.:** **US D732,587 S**  
(45) **Date of Patent:** **\*\* Jun. 23, 2015**

(54) **3D PRINTER**

(71) Applicants: **XYZPRINTING, INC.**, New Taipei (TW); **KINPO ELECTRONICS, INC.**, New Taipei (TW); **CAL-COMP ELECTRONICS & COMMUNICATIONS COMPANY LIMITED**, New Taipei (TW)

(72) Inventors: **Chun-An Hsu**, New Taipei (TW); **Wen-Chun Chung**, New Taipei (TW)

(73) Assignees: **XYZPRINTING, INC.**, New Taipei (TW); **KINPO ELECTRONICS, INC.**, New Taipei (TW); **CAL-COMP ELECTRONICS & COMMUNICATIONS COMPANY LIMITED**, New Taipei (TW)

(\*\*) Term: **14 Years**

(21) Appl. No.: **29/513,642**

(22) Filed: **Jan. 3, 2015**

(30) **Foreign Application Priority Data**

Nov. 13, 2014 (CN) ..... 2014 3 0445414

(51) **LOC (10) Cl.** ..... **15-09**

(52) **U.S. Cl.**  
USPC ..... **D15/122**

(58) **Field of Classification Search**  
USPC ..... D15/122, 135; D18/14, 19, 36-39, 50, D18/53, 54, 54.1, 55  
See application file for complete search history.

(56) **References Cited**

**U.S. PATENT DOCUMENTS**

D207,059 S \* 2/1967 Regal ..... D14/469  
D298,943 S \* 12/1988 Haager et al. .... D14/311  
D308,221 S \* 5/1990 Kojima ..... D18/54  
D325,927 S \* 5/1992 Fushiya ..... D18/54

D341,827 S \* 11/1993 Lai et al. .... D14/308  
D362,673 S \* 9/1995 Yamamoto ..... D18/19  
D363,734 S \* 10/1995 Bianco et al. .... D18/50  
5,885,511 A \* 3/1999 Heller et al. .... 264/401  
5,939,008 A \* 8/1999 Comb et al. .... 264/308  
D420,371 S \* 2/2000 Strong et al. .... D15/135  
D432,160 S \* 10/2000 Kabumoto et al. .... D18/37  
D450,757 S \* 11/2001 Okamura ..... D18/55  
6,792,398 B1 \* 9/2004 Handley et al. .... 703/2  
D501,502 S \* 2/2005 Scully et al. .... D18/50  
D506,465 S \* 6/2005 Geeng ..... D14/308  
7,027,887 B2 \* 4/2006 Gaylo et al. .... 700/117  
7,168,935 B1 \* 1/2007 Taminger et al. .... 425/174.4  
D565,648 S \* 4/2008 Egami ..... D18/50  
D598,906 S \* 8/2009 Chiba et al. .... D14/240  
D602,019 S \* 10/2009 Wang et al. .... D14/356  
7,686,995 B2 \* 3/2010 Davidson et al. .... 264/113  
7,819,055 B2 \* 10/2010 Tezuka et al. .... 101/38.1  
8,252,223 B2 \* 8/2012 Medina et al. .... 264/401  
D677,723 S \* 3/2013 Buel et al. .... D18/59

(Continued)

*Primary Examiner* — Patricia Palasik

(74) *Attorney, Agent, or Firm* — Chun-Ming Shih; HDLS IPR Services

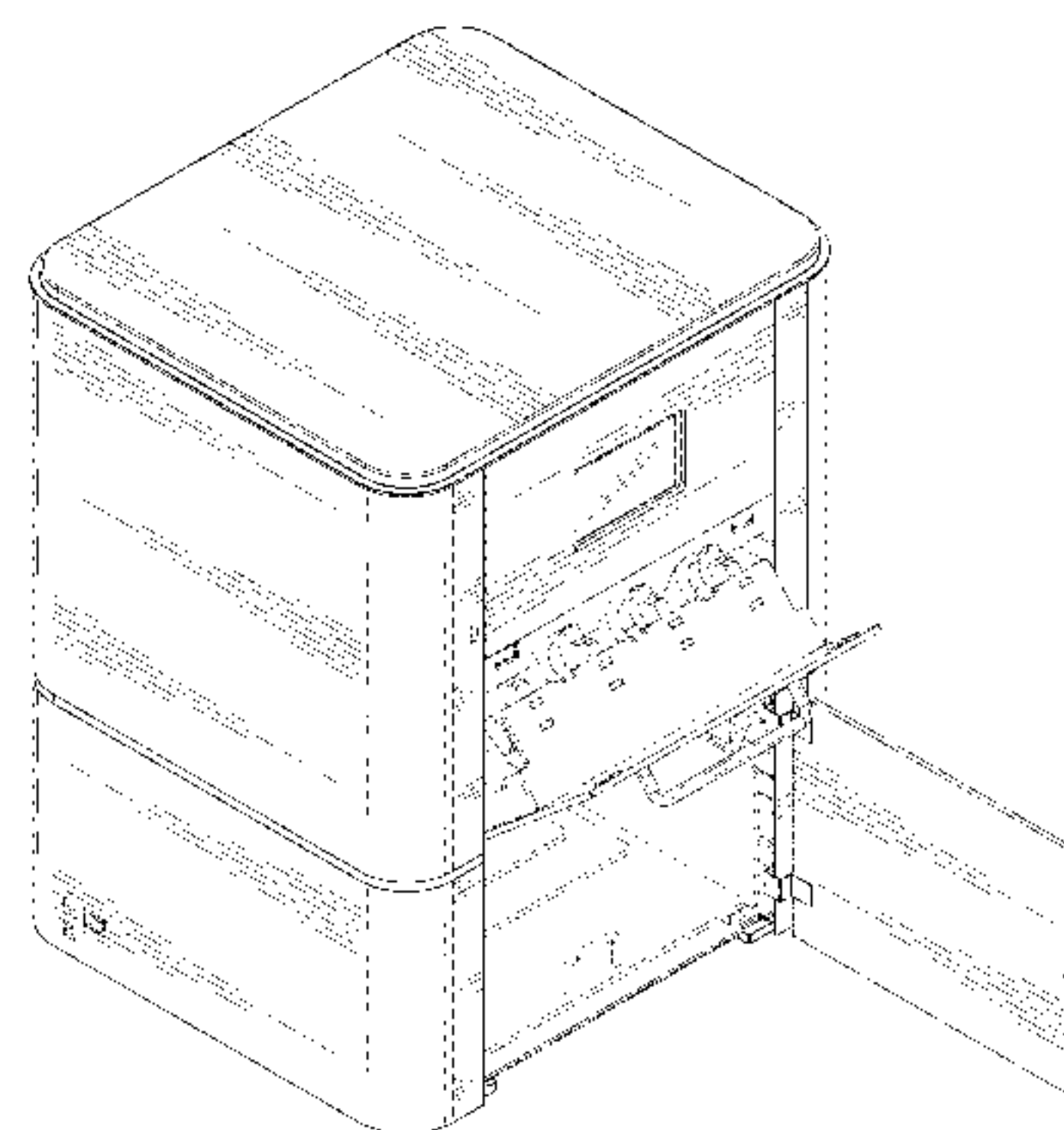
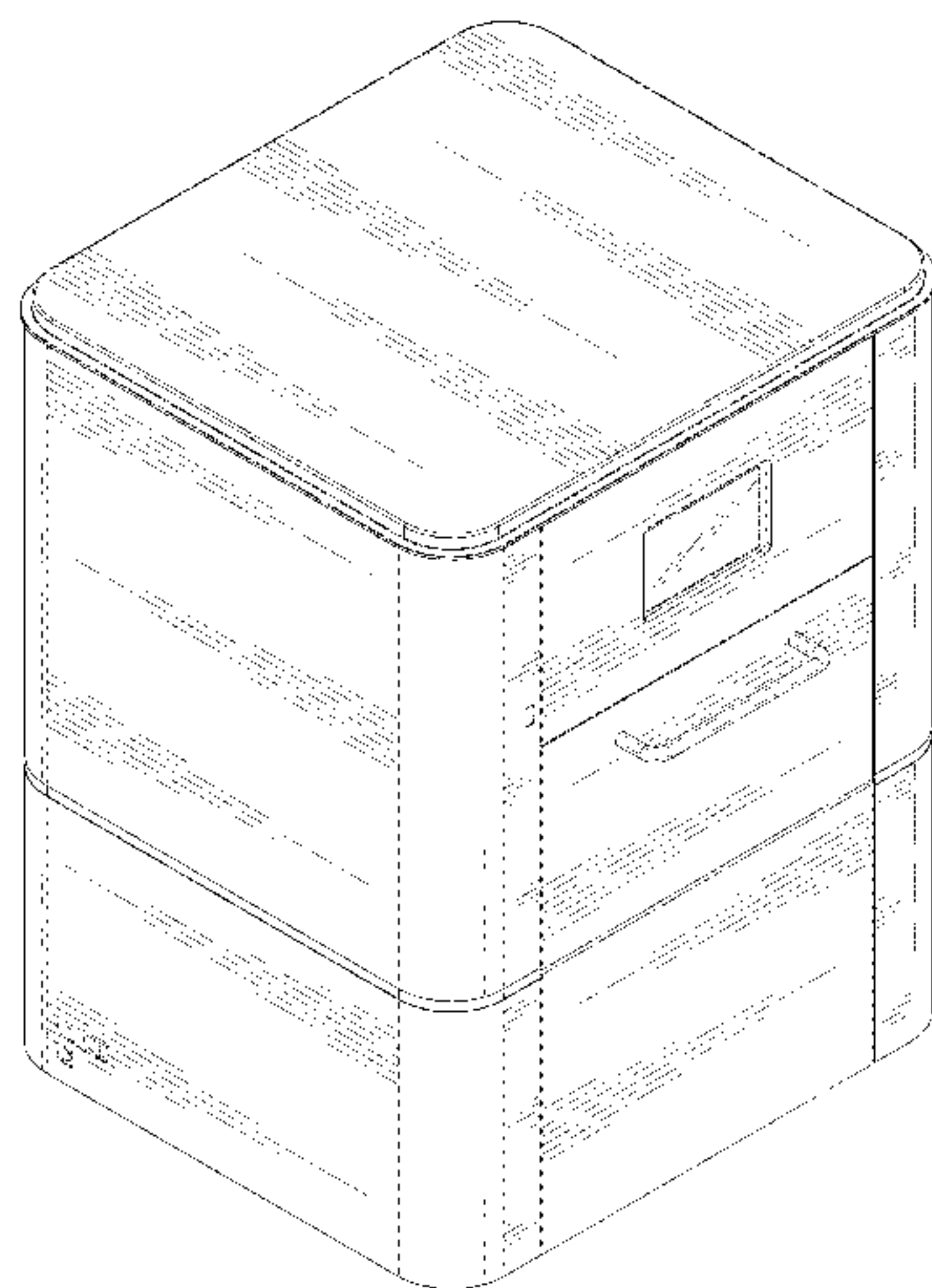
(57) **CLAIM**

The ornamental design for a 3D printer, as shown and described.

**DESCRIPTION**

FIG. 1 is a perspective view of a 3D printer showing my new design;  
FIG. 2 is a front view thereof;  
FIG. 3 is a rear view thereof;  
FIG. 4 is a left side view thereof;  
FIG. 5 is a right side view thereof;  
FIG. 6 is a top view thereof;  
FIG. 7 is a bottom view thereof; and,  
FIG. 8 is a perspective view, with the 3D printer open, in an alternate condition of use.  
The broken lines shown represent unclaimed environmental subject matter and form no part of the claimed design.

**1 Claim, 8 Drawing Sheets**



(56)

**References Cited**

U.S. PATENT DOCUMENTS

D688,741 S *	8/2013	Joyce .....	D18/50	8,894,400 B2 *	11/2014	Costabeber .....	425/174.4
8,568,649 B1 *	10/2013	Balistreri et al. ....	264/642	D722,108 S *	2/2015	Reches et al. ....	D18/50
D711,463 S *	8/2014	Costabeber .....	D18/50	8,945,456 B2 *	2/2015	Zenere .....	264/401
				8,960,873 B2 *	2/2015	Hara .....	347/86
				2004/0262803 A1 *	12/2004	Neilsen et al. ....	264/113

\* cited by examiner

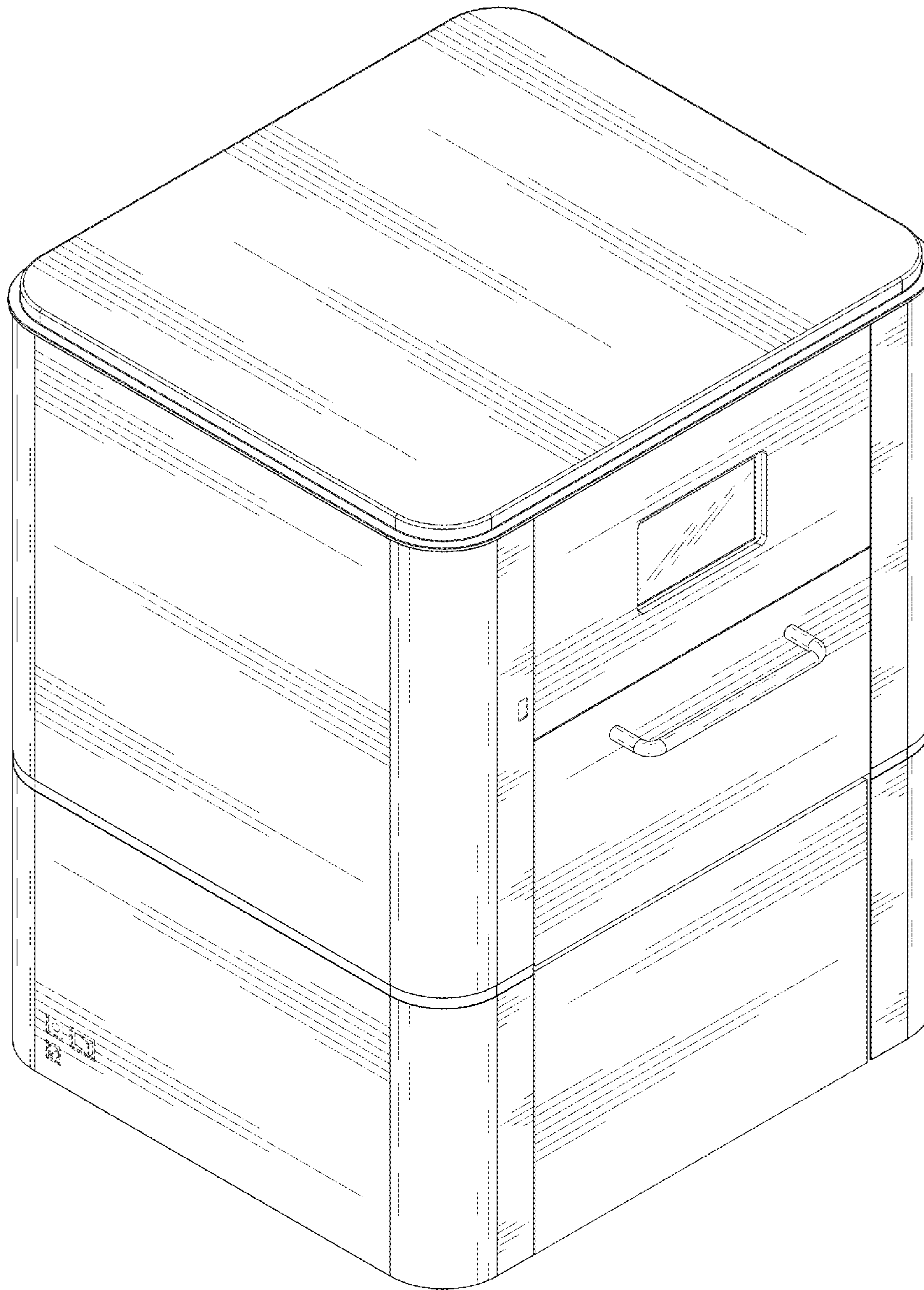


FIG.1

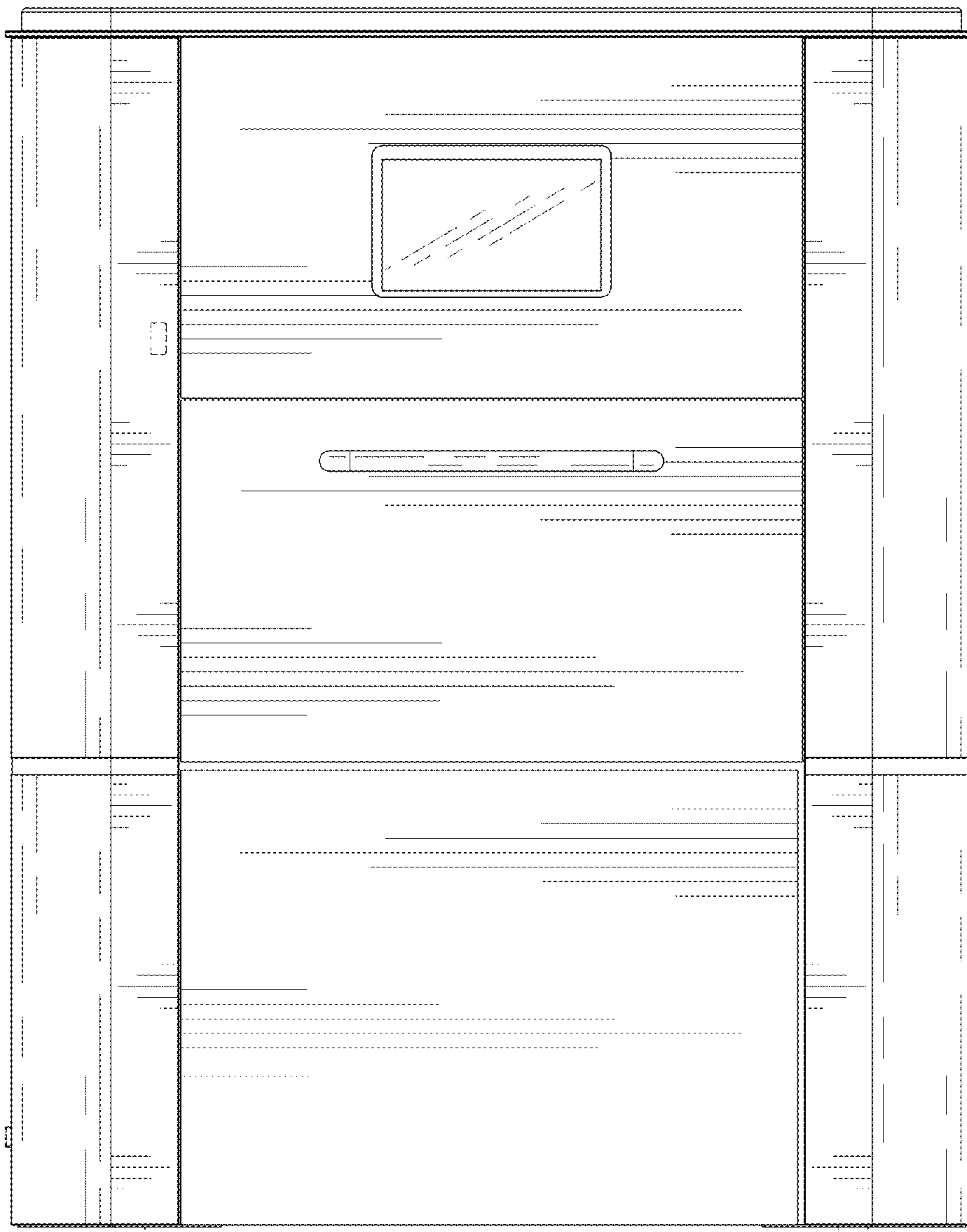


FIG.2



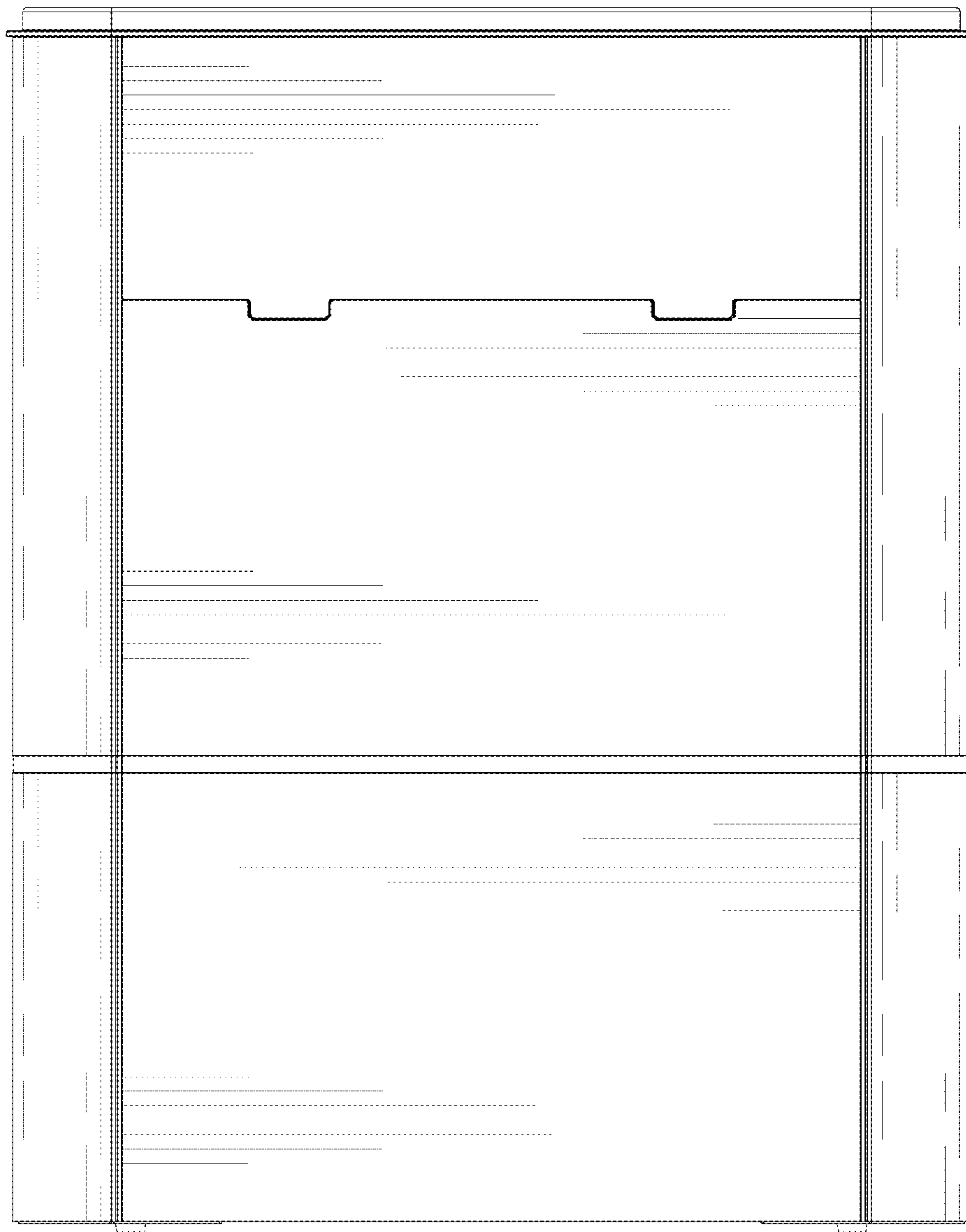


FIG.3

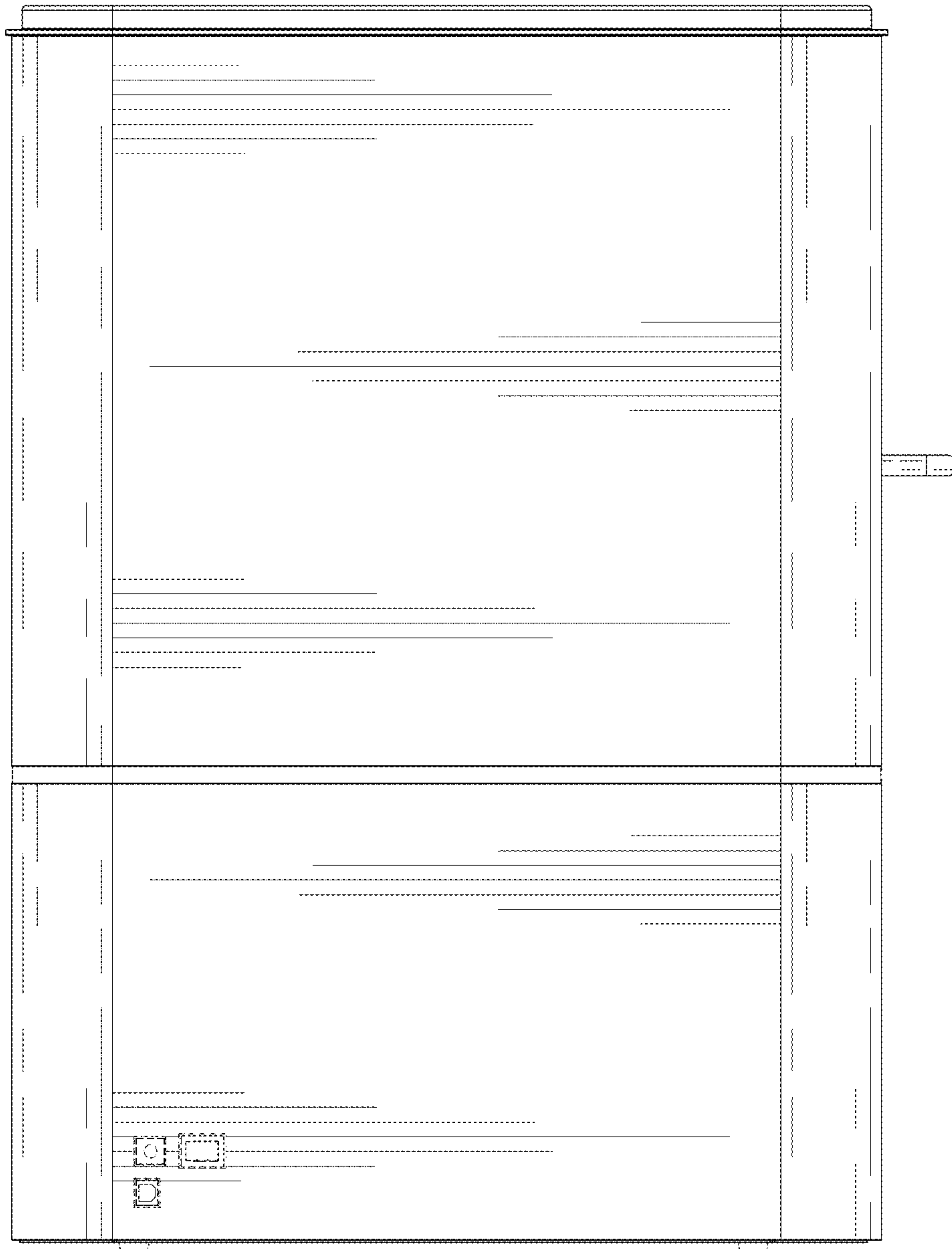


FIG.4

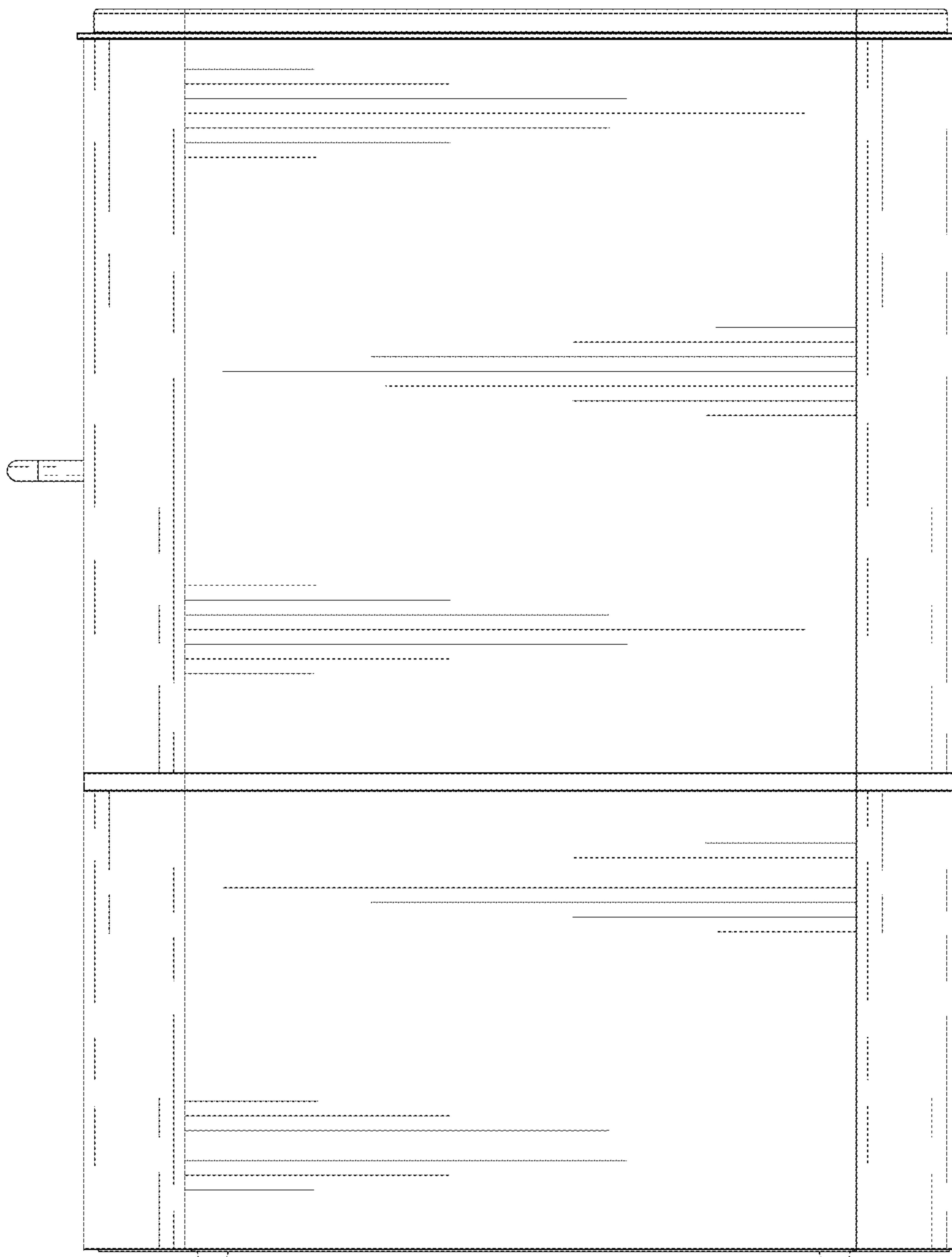


FIG.5

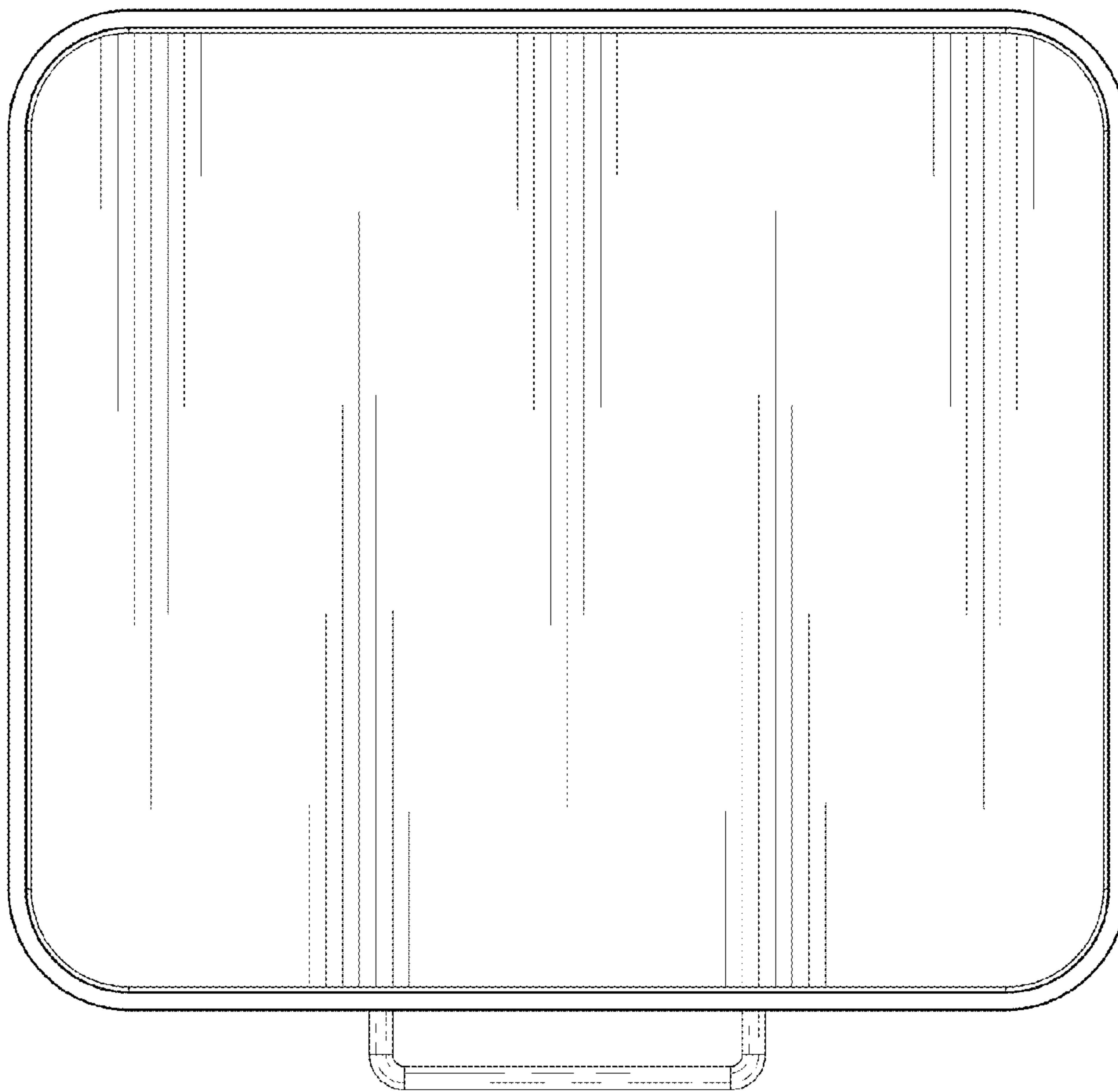


FIG.6



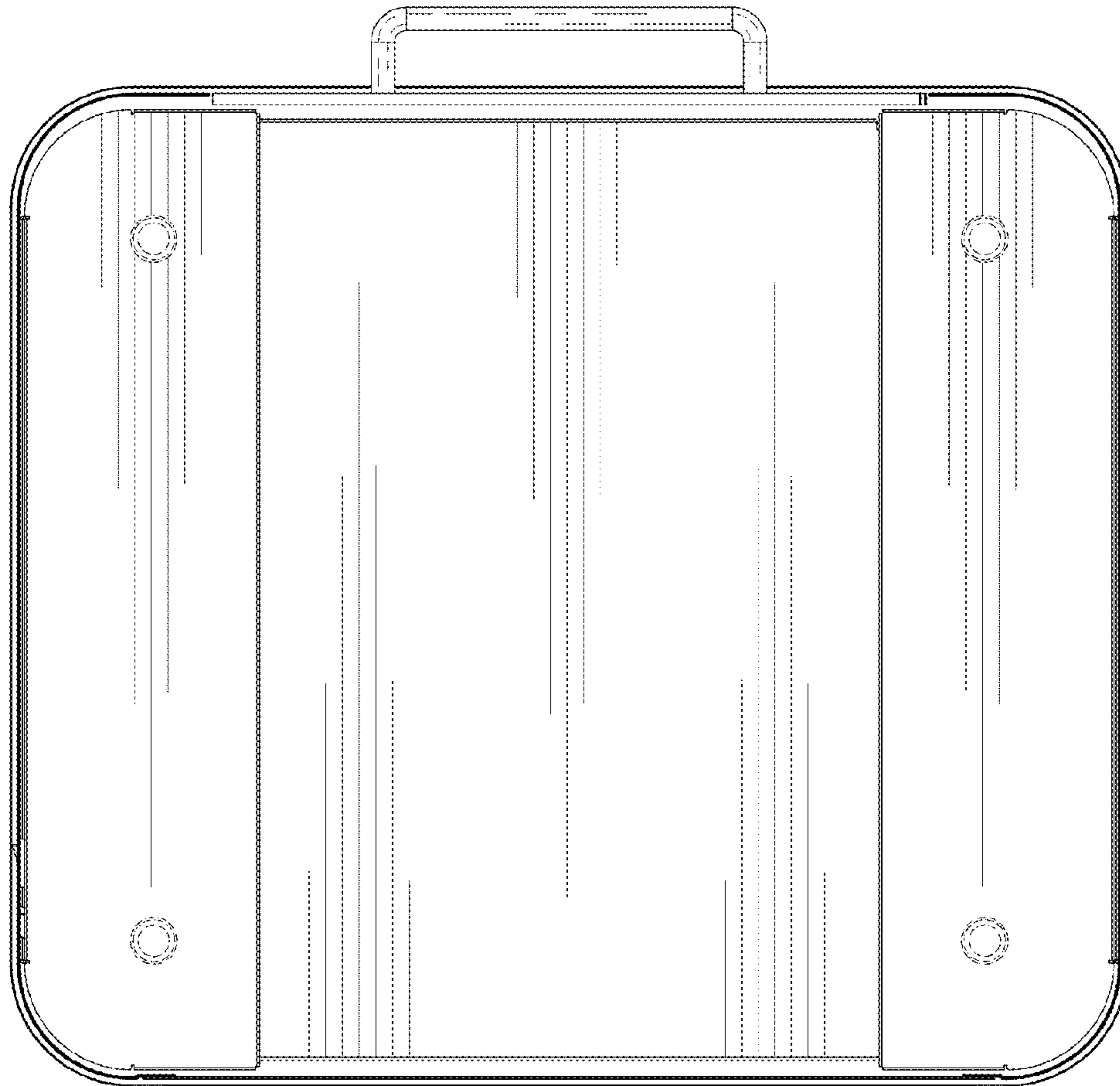


FIG.7

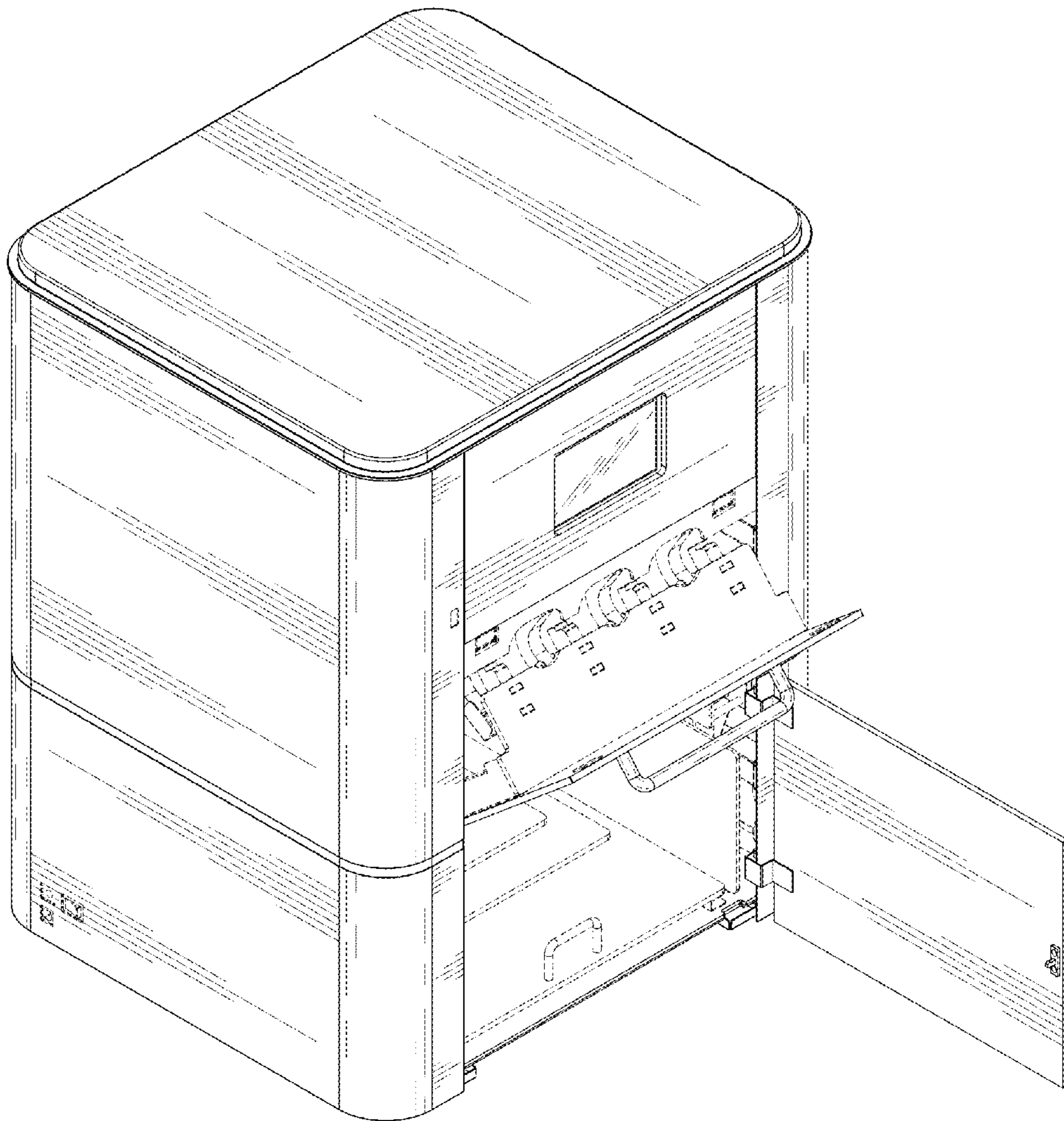


FIG.8