



US00D732583S

(12) **United States Design Patent**  
**Szymanski**

(10) **Patent No.:** **US D732,583 S**  
(45) **Date of Patent:** **\*\* Jun. 23, 2015**

- (54) **LOOM DEVICE WITH STORAGE COMPARTMENT**
- (71) Applicant: **Aaron Szymanski**, Thomaston, CT (US)
- (72) Inventor: **Aaron Szymanski**, Thomaston, CT (US)
- (73) Assignee: **Ideavillage Products Corp.**, Wayne, NJ (US)
- (\*\*) Term: **14 Years**
- (21) Appl. No.: **29/474,023**
- (22) Filed: **May 5, 2014**
- (51) **LOC (10) Cl.** ..... **15-06**
- (52) **U.S. Cl.**  
USPC ..... **D15/78**
- (58) **Field of Classification Search**  
USPC ..... D15/66-78  
CPC ..... B65H 2701/31-2701/219; D03D 29/00;  
A44C 27/00  
See application file for complete search history.

D700,220 S *	2/2014	Crorey	.....	D15/78
D707,732 S *	6/2014	Crorey	.....	D15/66
8,746,753 B2 *	6/2014	Crorey	.....	289/13
D721,744 S *	1/2015	Daftari	.....	D15/66
8,931,811 B1 *	1/2015	Ng	.....	289/17
8,936,283 B2 *	1/2015	Ng	.....	289/17
8,973,955 B2 *	3/2015	Ng	.....	289/17

\* cited by examiner

*Primary Examiner* — Mitchell Siegel

(74) *Attorney, Agent, or Firm* — Dan M. DeLaRosa

(57) **CLAIM**

The ornamental design for a loom device with storage compartment, as shown and described.

**DESCRIPTION**

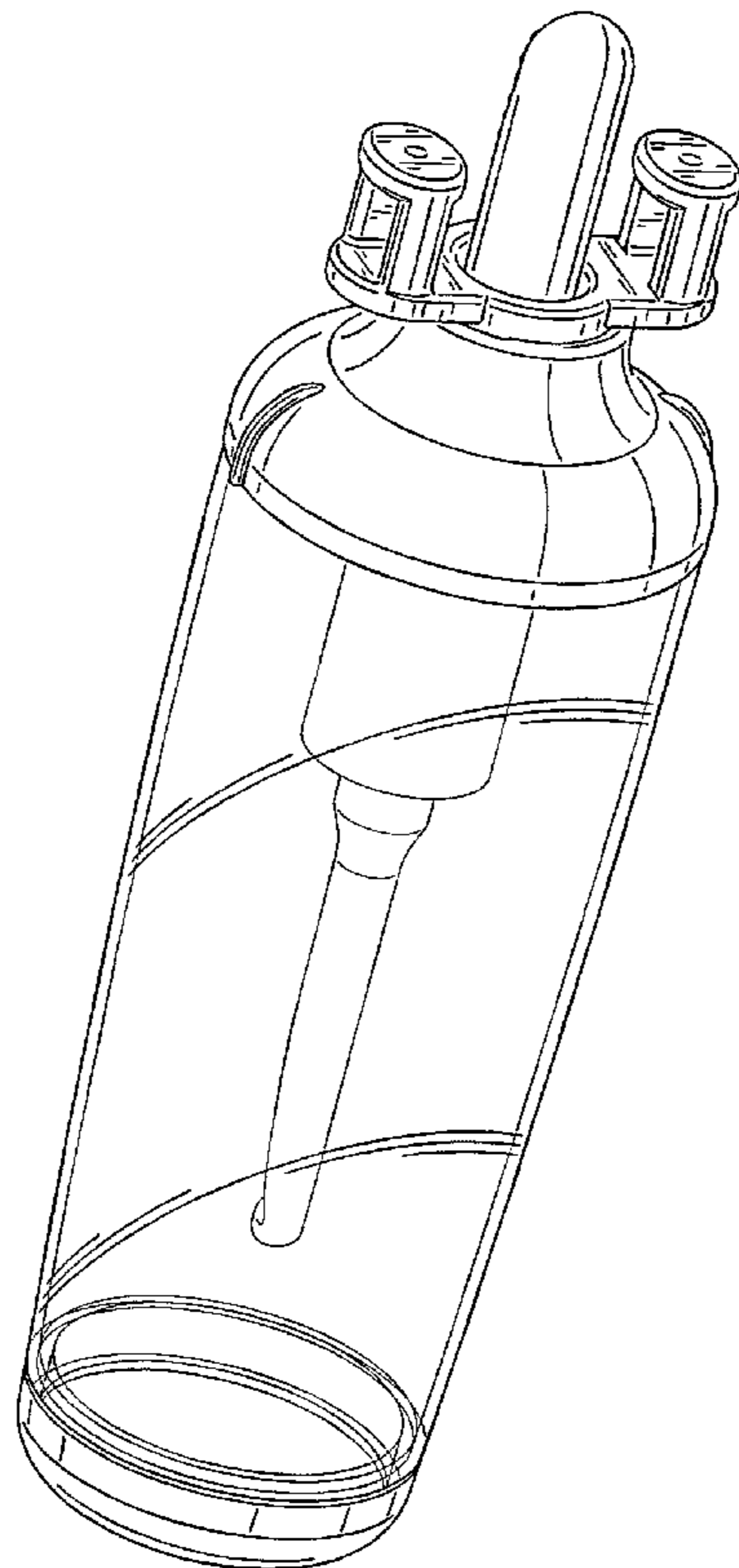
FIG. 1 is a front perspective view of the clip device of the present invention showing my new design; FIG. 2 is a front side elevation view thereof; FIG. 3 is a back side elevation view thereof; FIG. 4 is a side elevation view thereof; FIG. 5 is another side elevation view thereof; FIG. 6 is a top plan view thereof; and, FIG. 7 is a bottom plan view thereof.

**1 Claim, 6 Drawing Sheets**

(56) **References Cited**

**U.S. PATENT DOCUMENTS**

D253,952 S *	1/1980	McBride	.....	D15/78
D676,069 S *	2/2013	Fujiwara	.....	D15/78



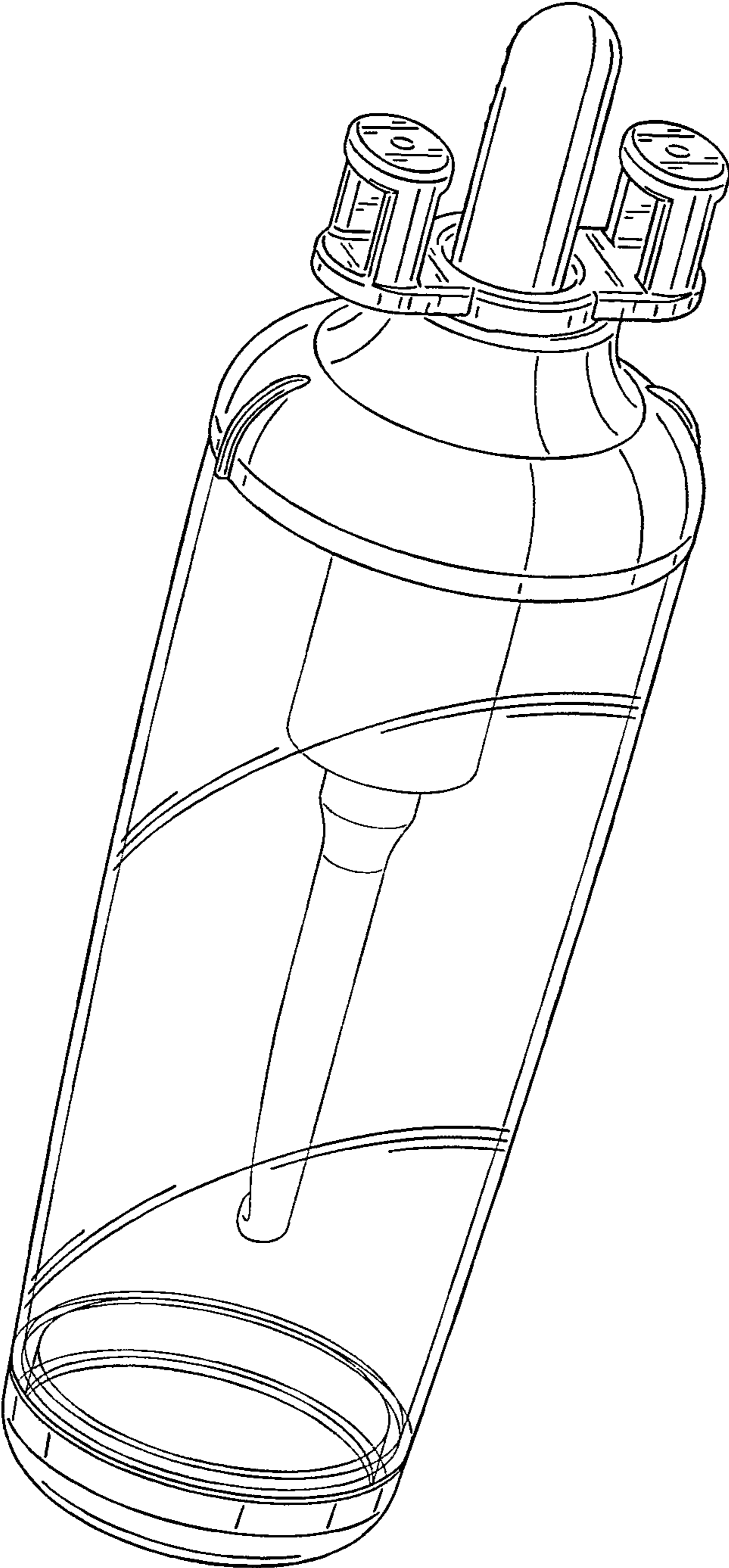


FIG. 1

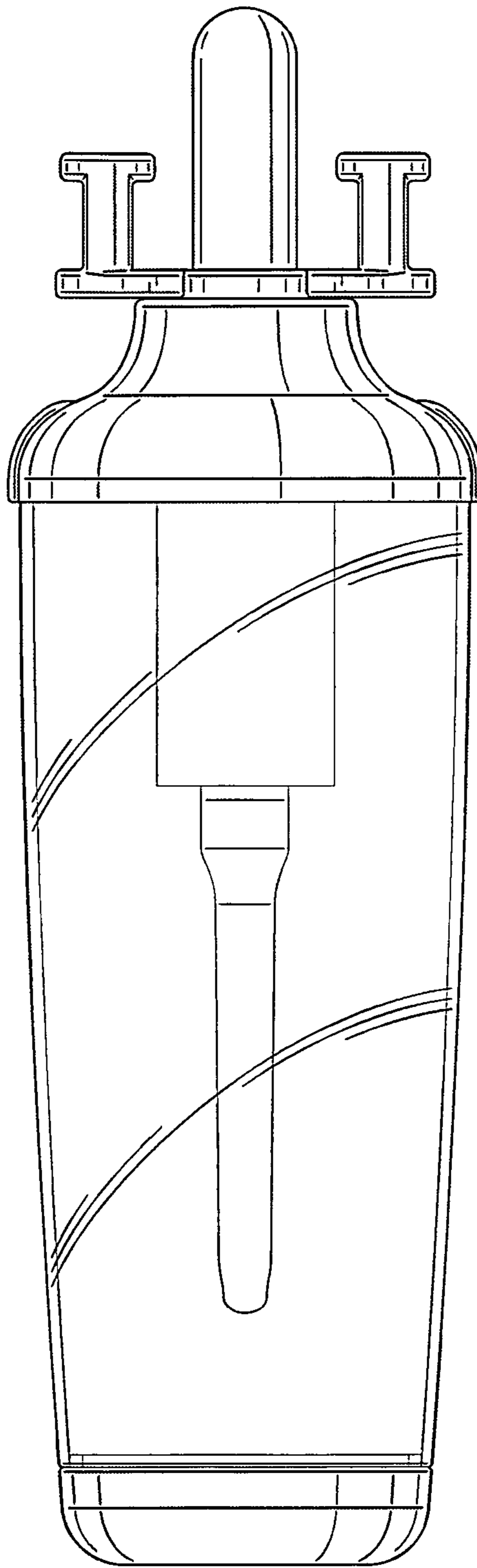


FIG. 2

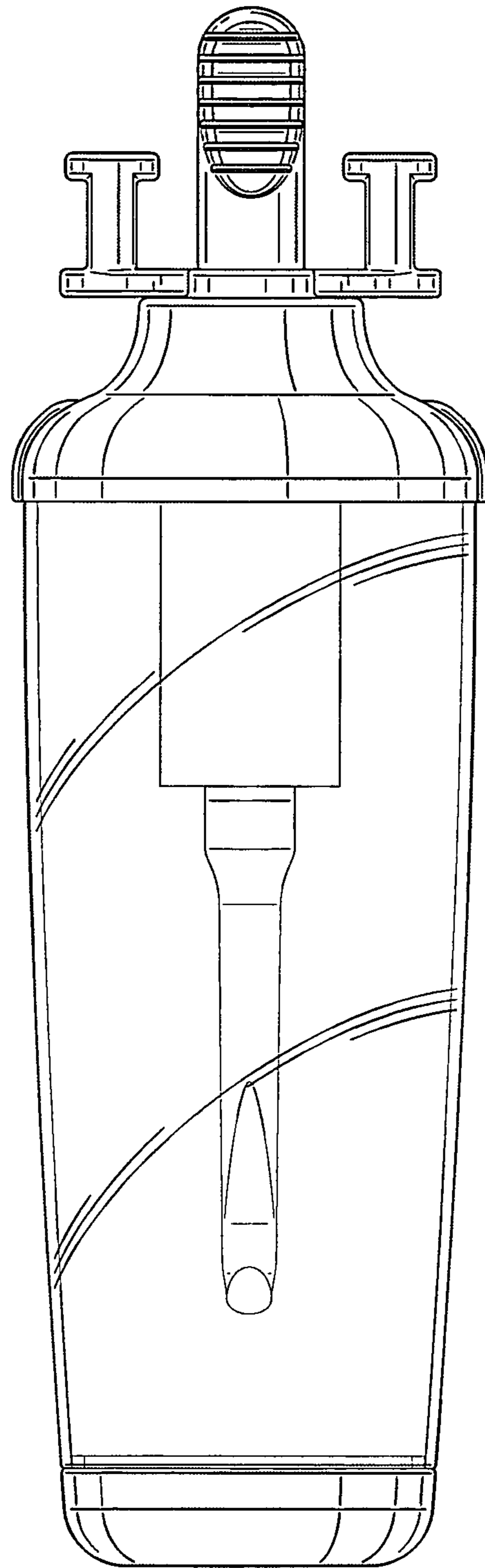


FIG. 3

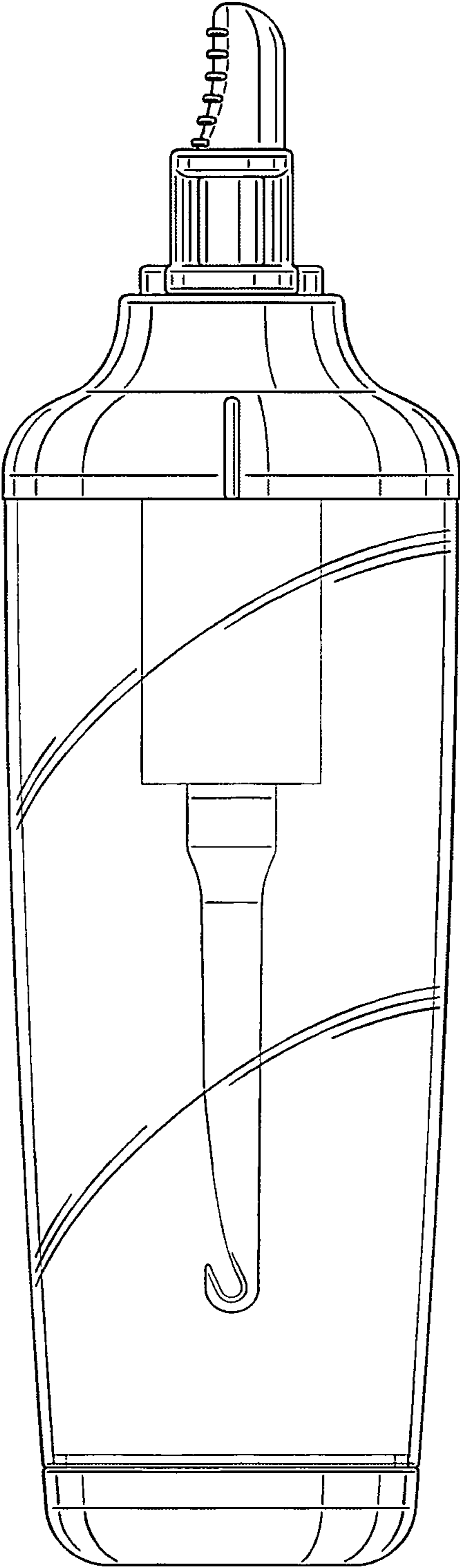


FIG. 4

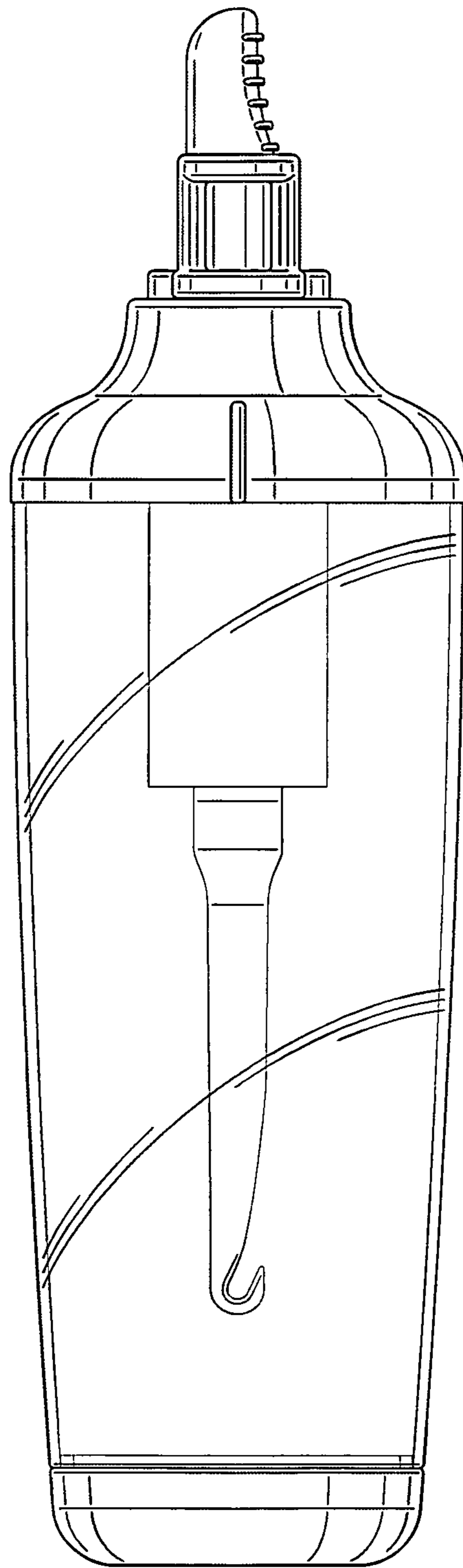


FIG. 5

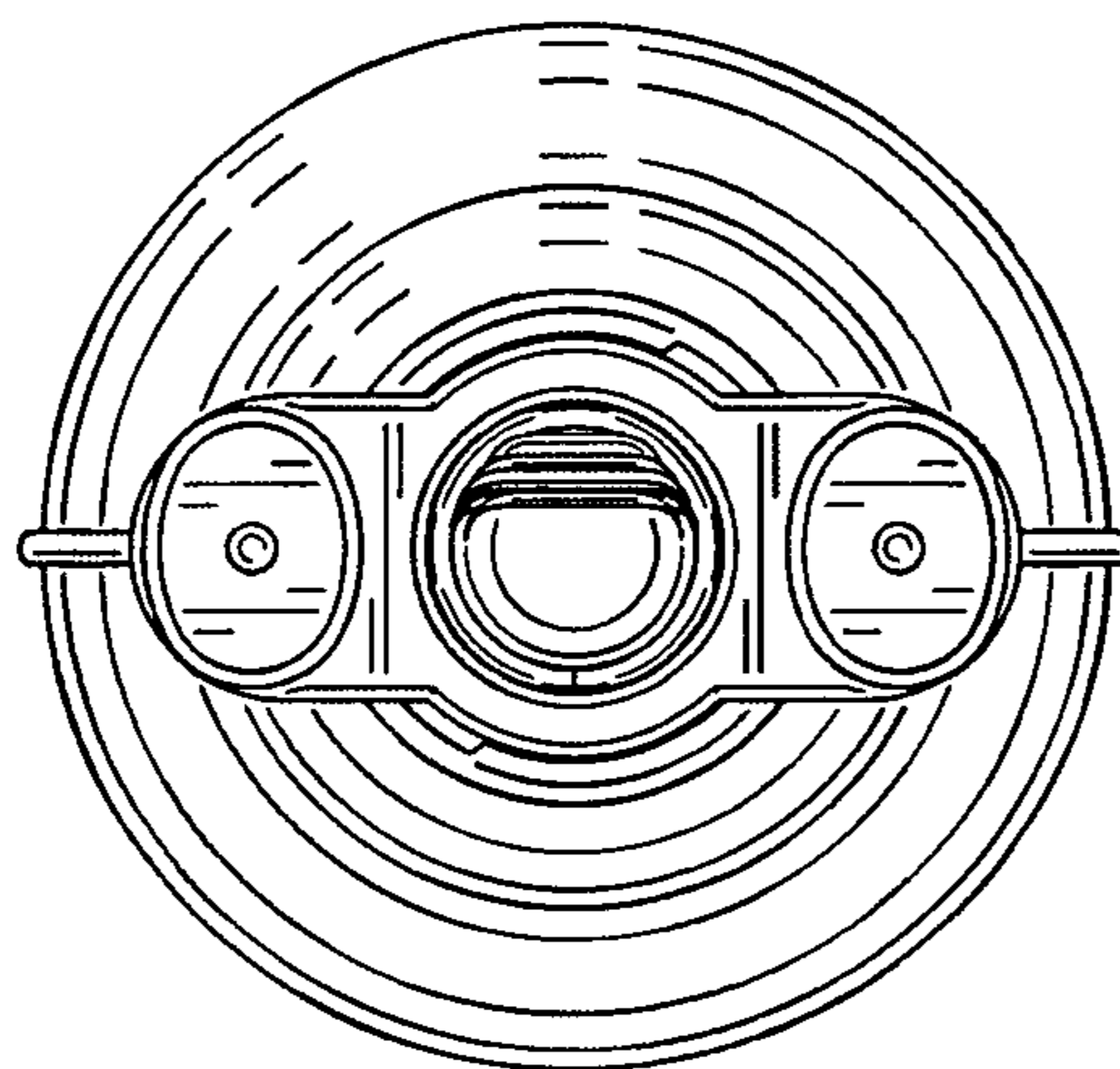


FIG. 6

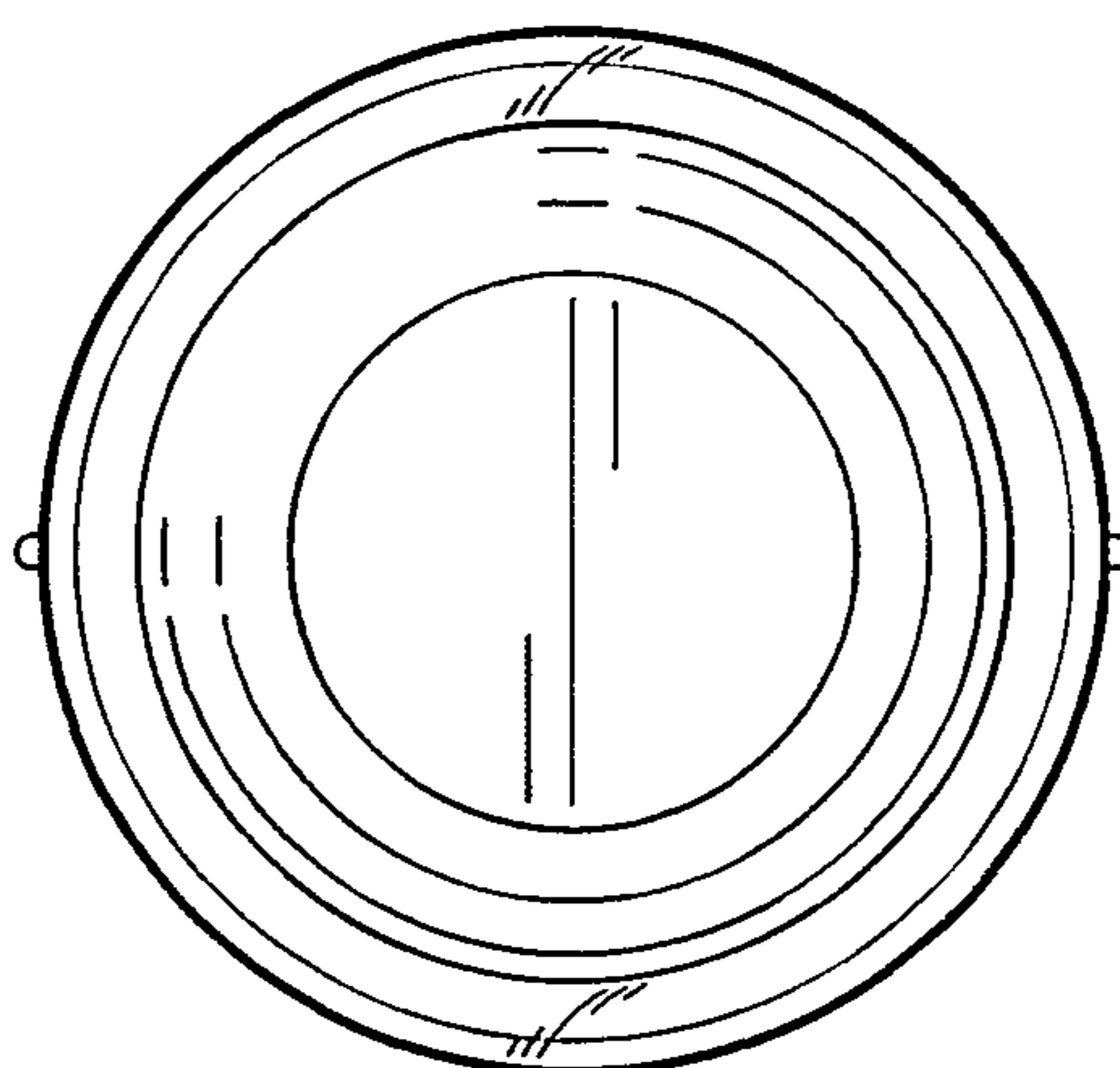


FIG. 7