



US00D732579S

(12) **United States Design Patent**  
**Kim et al.**

(10) **Patent No.:** **US D732,579 S**  
(45) **Date of Patent:** **\*\* Jun. 23, 2015**

(54) **DISPLAY SCREEN OR PORTION THEREOF WITH ICON**

(56) **References Cited**

U.S. PATENT DOCUMENTS

(71) Applicant: **Samsung Electronics Co., Ltd.**,  
Suwon-si (KR)

D422,987	S	*	4/2000	Hwang et al.	.....	D14/492
D422,988	S	*	4/2000	Hwang et al.	.....	D14/492
D441,763	S	*	5/2001	Kahn et al.	.....	D14/488
D597,098	S	*	7/2009	Su et al.	.....	D14/485
D640,710	S	*	6/2011	Brouwers et al.	.....	D14/486
D706,298	S	*	6/2014	Hollobaugh	.....	D14/492
8,806,371	B2	*	8/2014	Louch et al.	.....	715/810
8,856,648	B2	*	10/2014	Yang et al.	.....	715/702
2011/0307834	A1	*	12/2011	Wu	.....	715/836
2012/0324382	A1	*	12/2012	Peng et al.	.....	715/765
2013/0185666	A1	*	7/2013	Kenna et al.	.....	715/769
2013/0326418	A1	*	12/2013	Utsuki et al.	.....	715/835
2014/0082557	A1	*	3/2014	Warner	.....	715/834

(72) Inventors: **Jung-Hoon Kim**, Seoul (KR);  
**Jong-Hyun Shin**, Seoul (KR)

(73) Assignee: **Samsung Electronics Co., Ltd.**,  
Suwon-si (KR)

(\*\*) Term: **14 Years**

(21) Appl. No.: **29/454,863**

(22) Filed: **May 15, 2013**

(30) **Foreign Application Priority Data**

Nov. 23, 2012 (KR) ..... 30-2012-0056196

(51) **LOC (10) Cl.** ..... **14-04**

(52) **U.S. Cl.**  
USPC ..... **D14/492**

(58) **Field of Classification Search**  
USPC ..... D14/485-495; 715/703, 715, 727, 763,  
715/773, 776, 779, 839, 810, 811, 812, 813,  
715/814, 815, 821, 825, 828, 833, 835, 836,  
715/837, 838, 840, 846, 847, 864, 963, 974,  
715/976, 977  
CPC ..... G06F 3/0482; G06F 8/34; G06F 3/04817;  
G06F 3/048

See application file for complete search history.

\* cited by examiner

*Primary Examiner* — Angela J Lee

(74) *Attorney, Agent, or Firm* — NSIP Law

(57) **CLAIM**

We claim the ornamental design for a display screen or portion thereof with icon, as shown and described.

**DESCRIPTION**

FIG. 1 is a front view of a display screen or portion thereof with icon, for showing our new design; and, FIG. 2 is a front view of a display screen or portion thereof with icon of FIG. 1, in which a mobile terminal in broken line is provided to illustrate an example environment. The broken lines showing a display screen or portion thereof form no part of the claimed design.

**1 Claim, 2 Drawing Sheets**

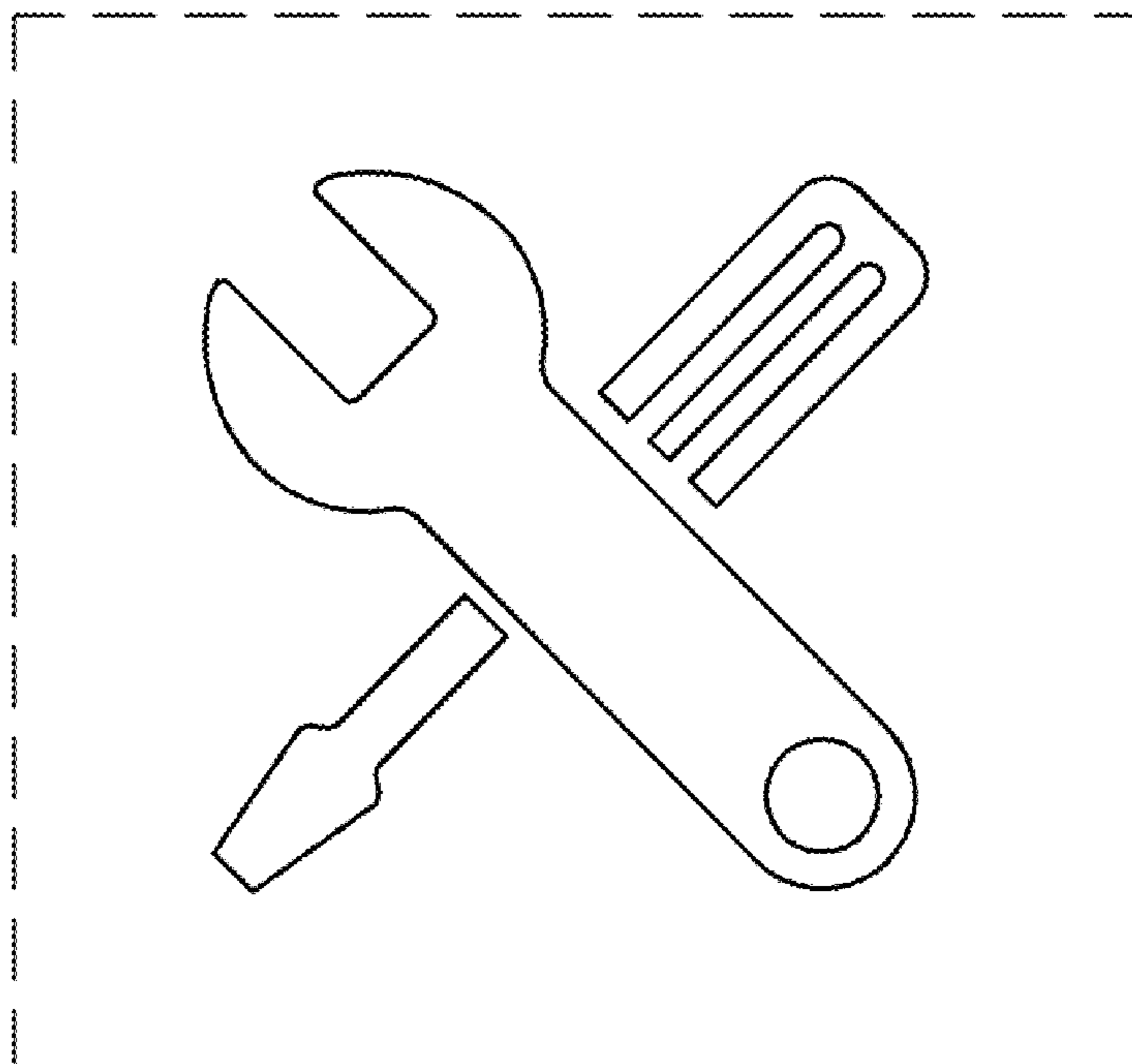


FIG. 1

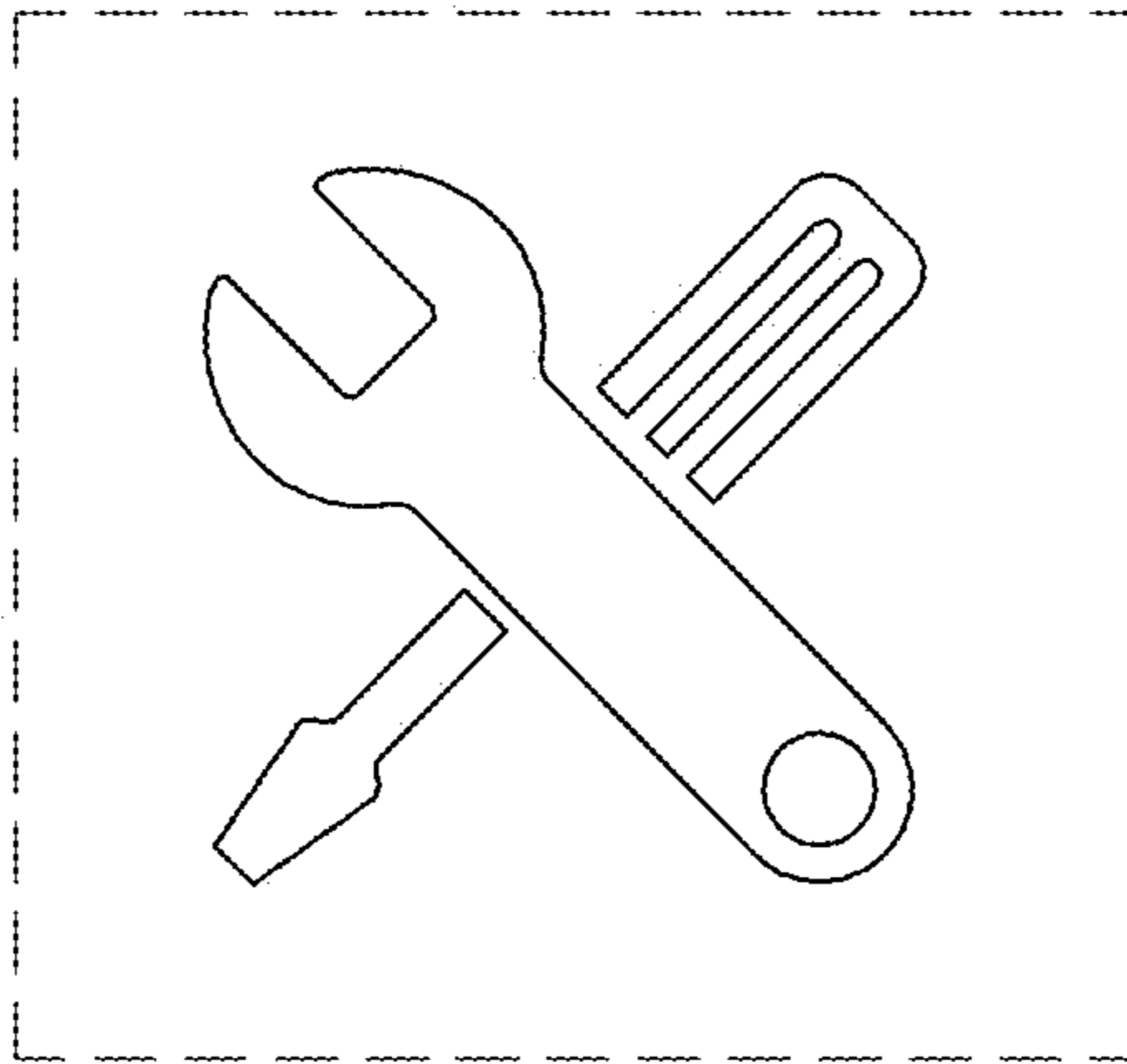


FIG. 2

