



US00D732547S

(12) **United States Design Patent**
McClelland et al.

(10) **Patent No.:** **US D732,547 S**
(45) **Date of Patent:** **** Jun. 23, 2015**

(54) **BEZEL WITH DOCKING RECESS**
(75) Inventors: **Belgie B. McClelland**, Tomball, TX
(US); **Kevin D. Conn**, Montgomery, TX
(US); **Kelly K. Smith**, Spring, TX (US)
(73) Assignee: **Hewlett-Packard Development
Company, L.P.**, Houston, TX (US)
(**) Term: **14 Years**

(21) Appl. No.: **29/384,499**
(22) Filed: **Jan. 31, 2011**
(51) **LOC (10) Cl.** **14-02**
(52) **U.S. Cl.**
USPC **D14/450**
(58) **Field of Classification Search**
USPC D14/450, 371, 374-382, 125-129;
345/104, 133, 156, 168, 173, 87;
348/180, 184, 325, 739; 248/917-924;
341/12; 349/1, 2, 11, 62; 428/14
See application file for complete search history.

(56) **References Cited**

U.S. PATENT DOCUMENTS

D375,302 S *	11/1996	Darius et al.	D14/450
5,775,762 A *	7/1998	Vitito	296/37.7
D402,970 S *	12/1998	Rosen	D14/375
D437,936 S *	2/2001	Guy	D24/139
7,084,932 B1 *	8/2006	Mathias et al.	348/837
D564,439 S *	3/2008	Vitito	D12/418
7,460,187 B2 *	12/2008	Schedivy	348/837
7,490,887 B2 *	2/2009	Vitito	296/37.8

* cited by examiner

Primary Examiner — Cynthia Ramirez

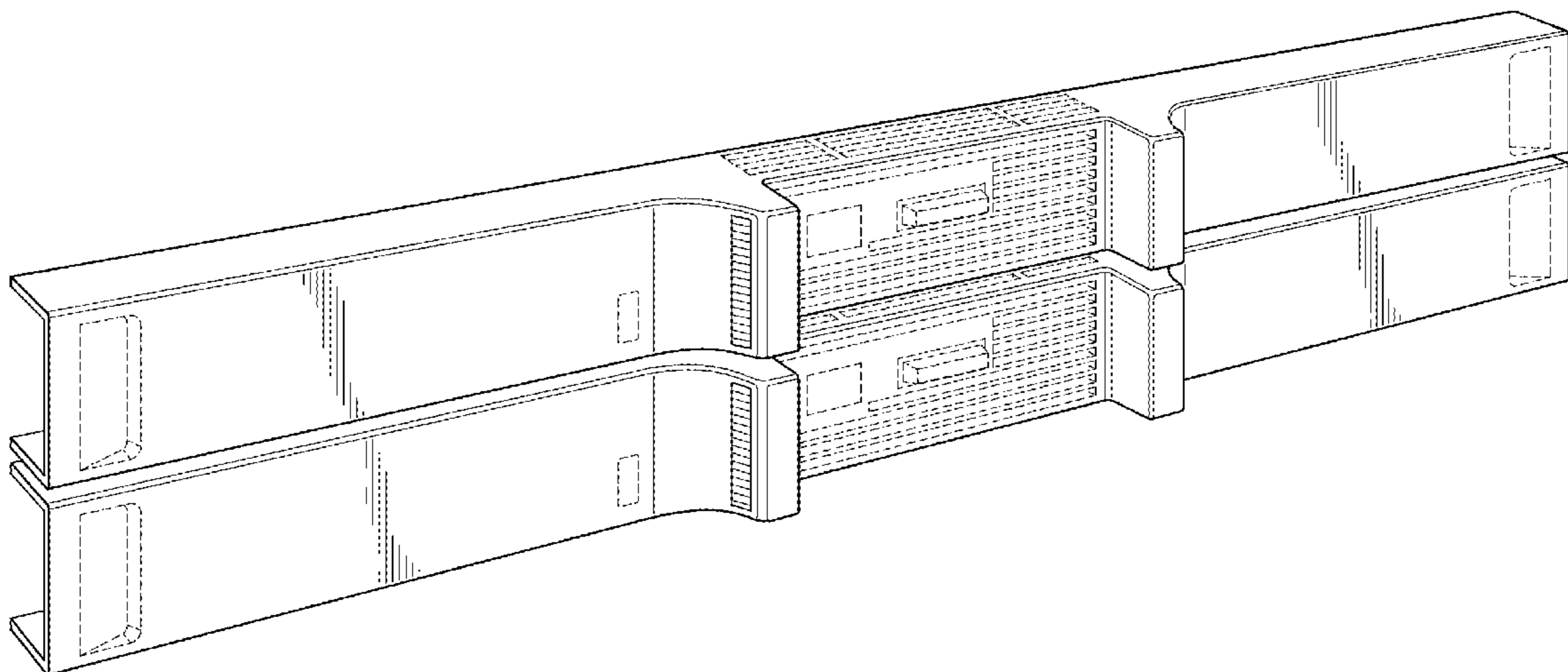
(74) *Attorney, Agent, or Firm* — Hanley, Flight & Zimmerman, LLC

(57) **CLAIM**
The ornamental design for a bezel with docking recess, as shown and described.

DESCRIPTION

FIG. 1 is a left, front perspective view of a bezel with docking recess, showing the rectangular indicator lights in a first state by a horizontal line pattern;
FIG. 2 is a front view of the bezel of FIG. 1;
FIG. 3 is a top view of the bezel of FIG. 1;
FIG. 4 is a right side view of the bezel of FIG. 1. The left side view of the bezel of FIG. 1 is a mirror image of the right side view of FIG. 4;
FIG. 5 is a front view of the bezel of FIG. 1, but showing the indicator lights in a second state as indicated by an angled line pattern;
FIG. 6 is a front view of the bezel of FIG. 1, but showing the indicator lights in a third state as indicated by a cross-hatching pattern;
FIG. 7 is another perspective view of the bezel of FIG. 1, but showing a handheld monitor docked in the docking recess;
FIG. 8 is another front view of the bezel of FIG. 1, but showing a handheld monitor docked in the docking recess; and,
FIG. 9 is another top view of the bezel of FIG. 1 but showing a handheld monitor docked in the docking recess.
The features shown in broken lines in the figures are to show portions of the bezel that form no part of the claimed design. The broken lines representing the handheld monitor in FIGS. 7, 8 and 9 show environment and form no part of the claimed design. The three different states of the indicator lights represent a change in color, but no specific color is claimed.

1 Claim, 5 Drawing Sheets



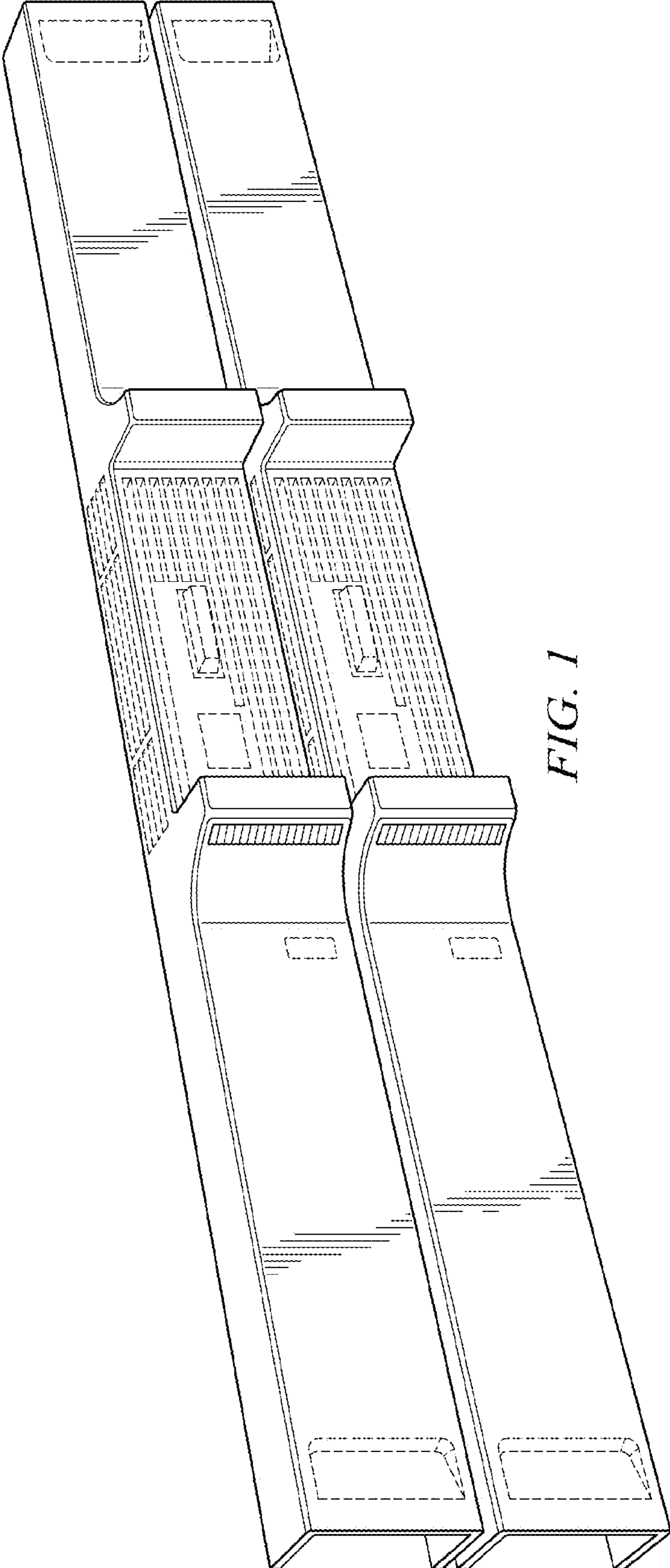


FIG. 1

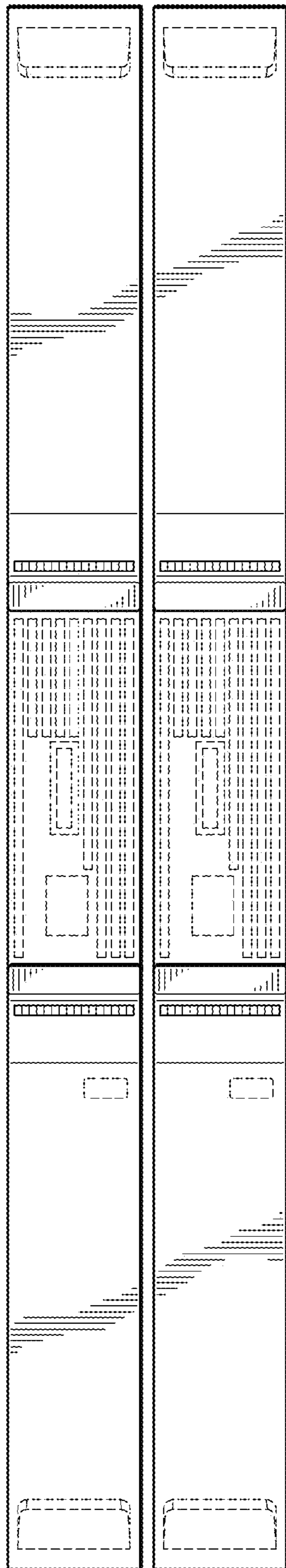


FIG. 2

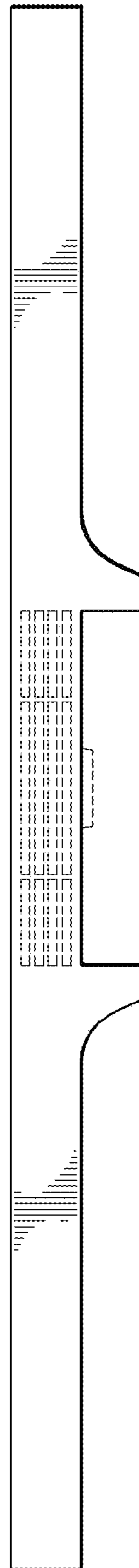


FIG. 3

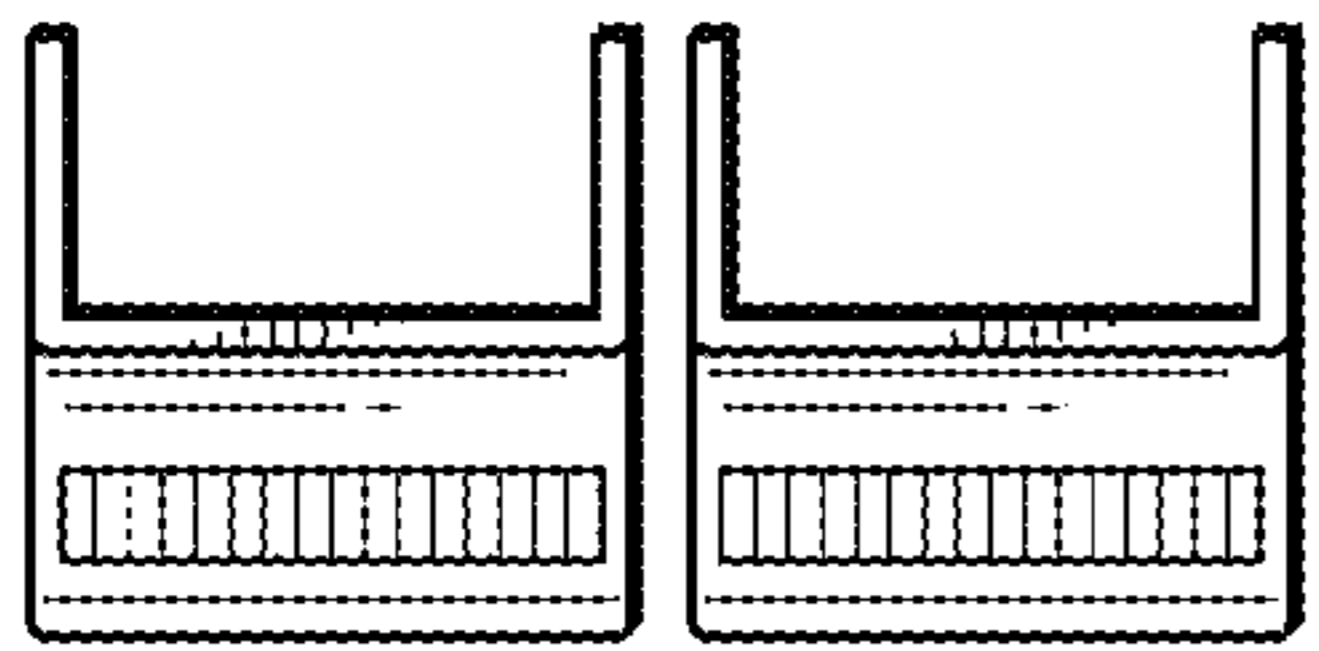


FIG. 4

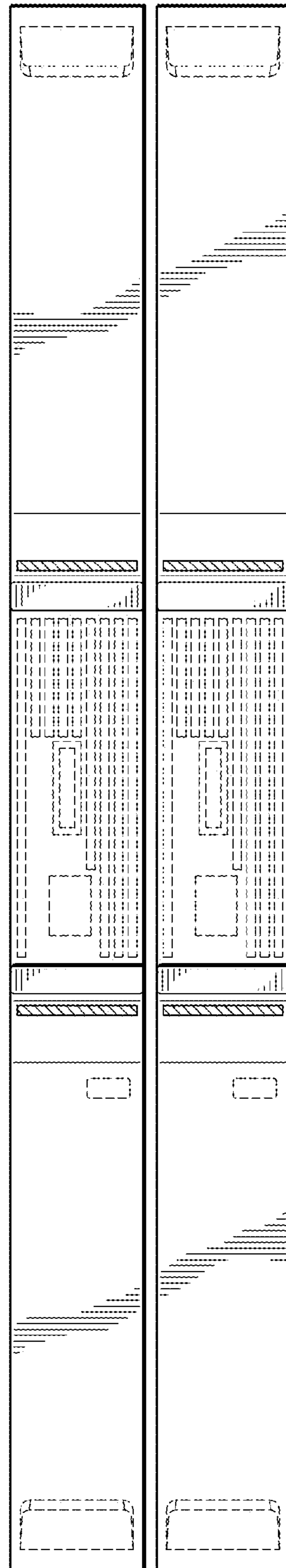


FIG. 5

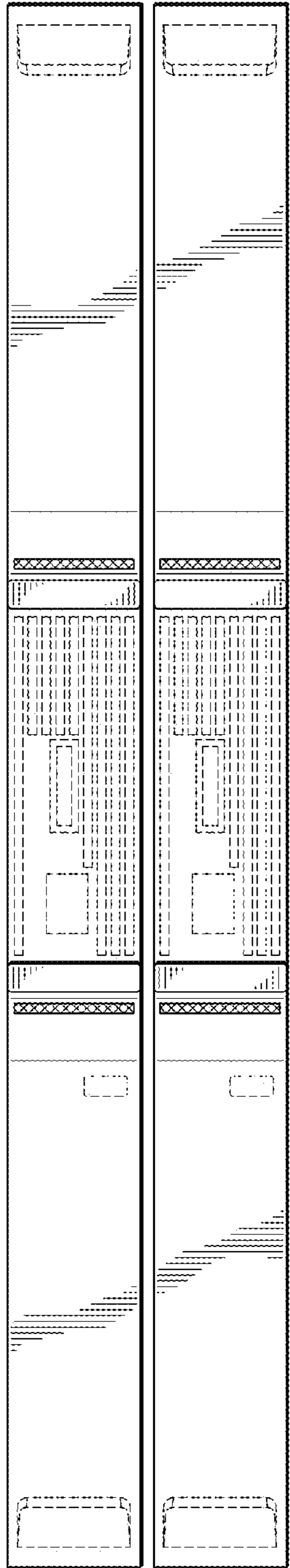


FIG. 6

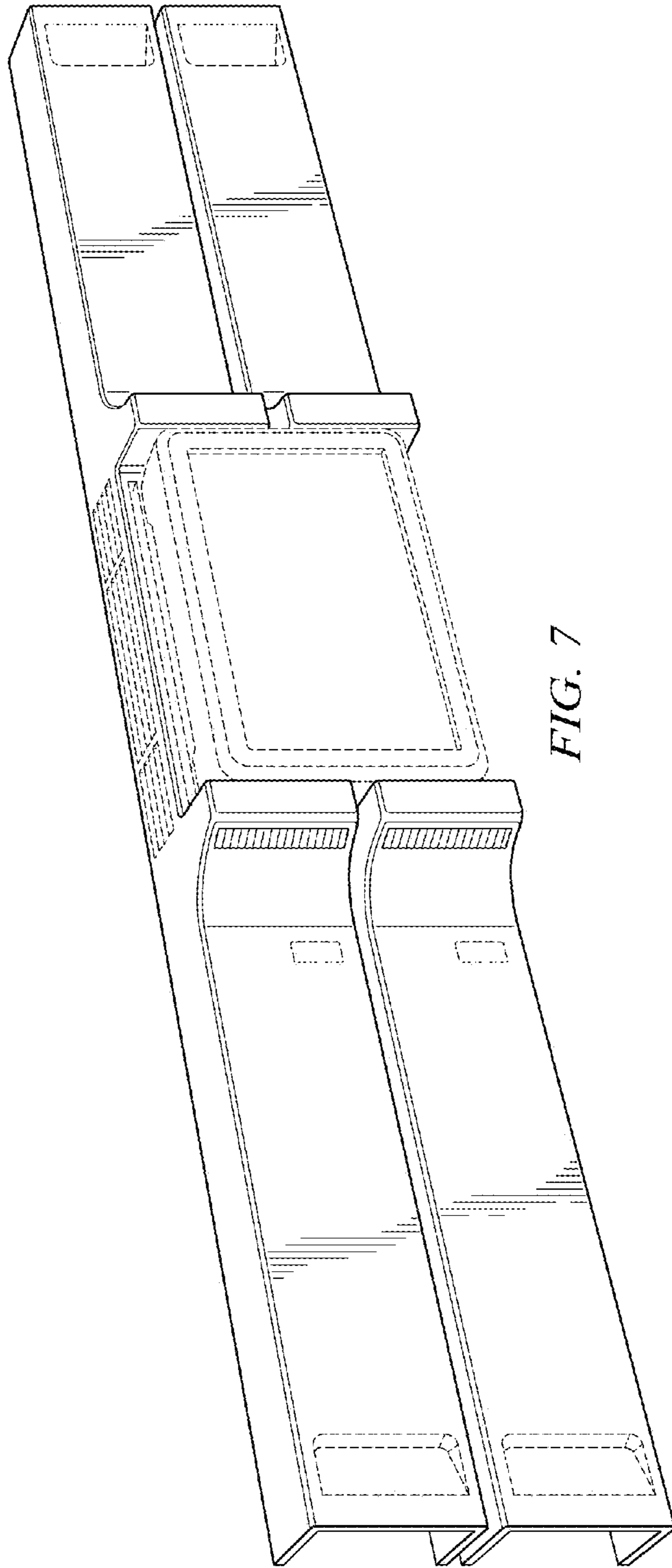


FIG. 7

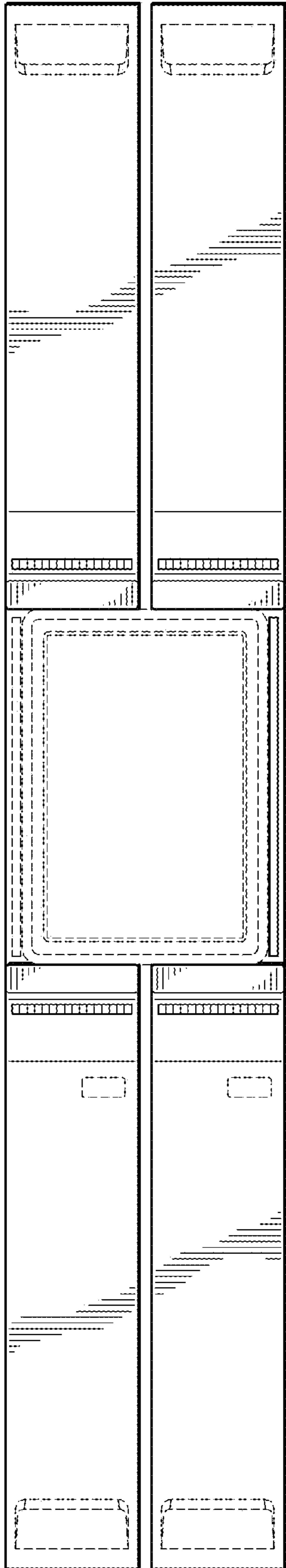


FIG. 8

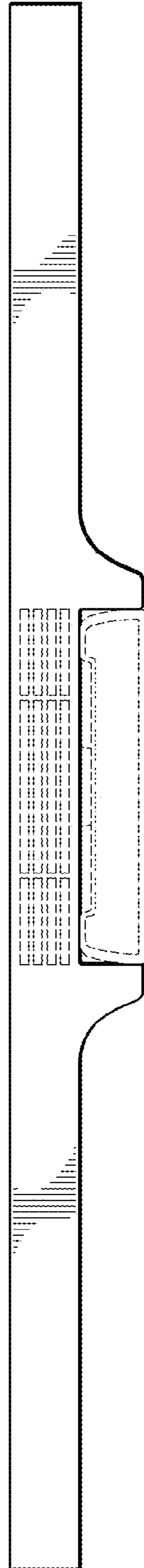


FIG. 9