



US00D732546S

(12) **United States Design Patent**
Leitman

(10) **Patent No.:** **US D732,546 S**
(45) **Date of Patent:** **** Jun. 23, 2015**

(54) **STAND FOR MOBILE DEVICE**

(71) Applicant: **Killer Concepts LLC**, Laguna Hills, CA (US)

(72) Inventor: **Jeff Leitman**, Irvine, CA (US)

(73) Assignee: **Killer Concepts LLC**, Laguna Hills, CA (US)

(**) Term: **14 Years**

(21) Appl. No.: **29/507,387**

(22) Filed: **Oct. 27, 2014**

(51) **LOC (10) Cl.** **14-04**

(52) **U.S. Cl.**
USPC **D14/447**

(58) **Field of Classification Search**
USPC D14/447, 451, 452, 439, 440, 432, 457, D14/460, 461, 217, 239, 251, 253; D6/406.3, 406.4, 406.5, 406.6; 248/460, 917-924, 150, 176.1, 177.1, 248/181.1, 188.7; 361/679.02, 679.06, 361/679.07, 679.09, 679.21, 679.22, 361/679.26, 679.27, 679.3, 679.55, 679.56; D8/363, 373, 380; D21/654
CPC F16M 2200/00; F16M 13/00; A45C 2011/003; A45C 2011/002; A47B 2023/049; A47B 2097/005; A47B 2097/0006; A47B 21/04

See application file for complete search history.

(56) **References Cited**

U.S. PATENT DOCUMENTS

D346,654 S *	5/1994	Bennell	D24/104
D483,520 S *	12/2003	Kwok	D27/149
D514,770 S *	2/2006	Henderson et al.	D99/40
D631,785 S *	2/2011	Palmer	D11/158
D651,537 S *	1/2012	Anguelidis	D11/158
D657,365 S *	4/2012	Sung	D14/480.2
D666,213 S *	8/2012	Fahrberger et al.	D14/496
D682,283 S *	5/2013	Tak et al.	D14/447
D699,237 S *	2/2014	Yueh	D14/250
D704,713 S *	5/2014	Liniger	D14/447
2012/0309256 A1 *	12/2012	Theodore	446/72
2013/0137337 A1 *	5/2013	Park et al.	446/73
2014/0221058 A1 *	8/2014	Jand	455/575.8

* cited by examiner

Primary Examiner — Angela J Lee

(74) *Attorney, Agent, or Firm* — Bryan Fibel

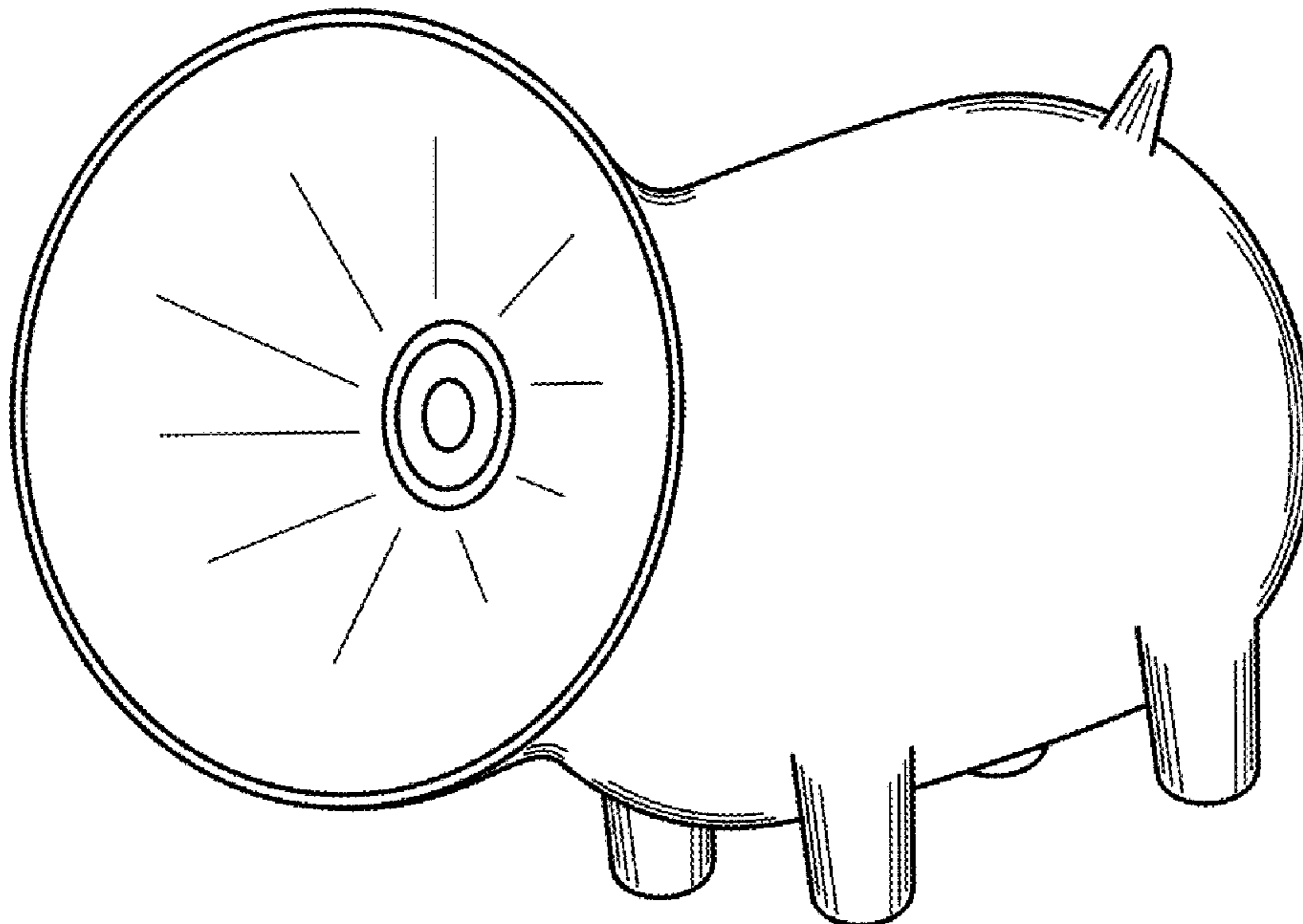
(57) **CLAIM**

The ornamental design for a stand for a mobile device, as shown and described.

DESCRIPTION

FIG. 1 is a perspective view of my new design.
FIG. 2 is a left side view of my new design.
FIG. 3 is a right side view of my new design.
FIG. 4 is a top view of my new design.
FIG. 5 is a bottom view of my new design.
FIG. 6 is a front view of my new design; and,
FIG. 7 is a rear view of my new design.
Any shading lines are not features of the design but are utilized to illustrate surface contours of the stand in the drawings.
The novel design is for a stand used to display a mobile device.

1 Claim, 4 Drawing Sheets



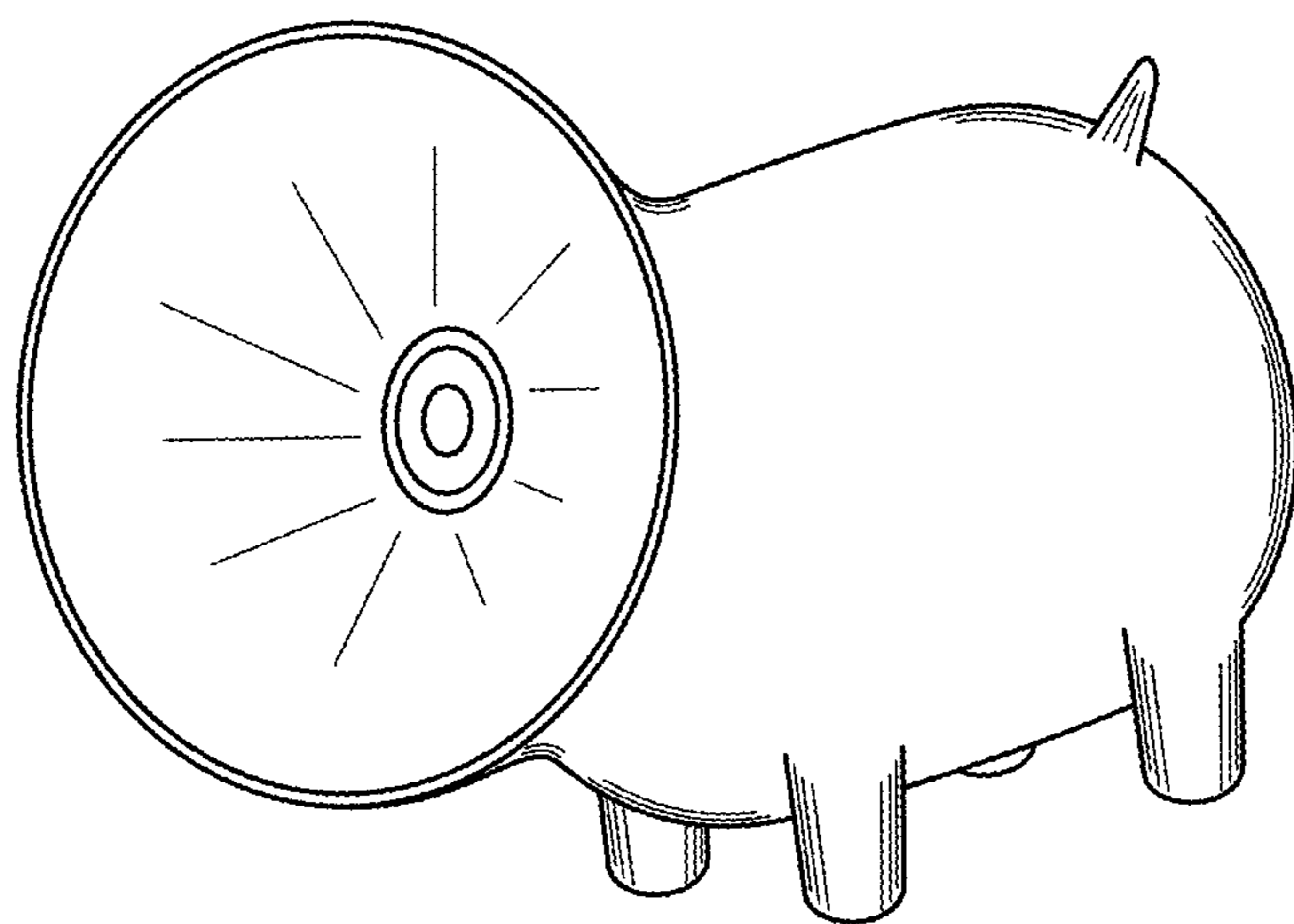


FIG. 1

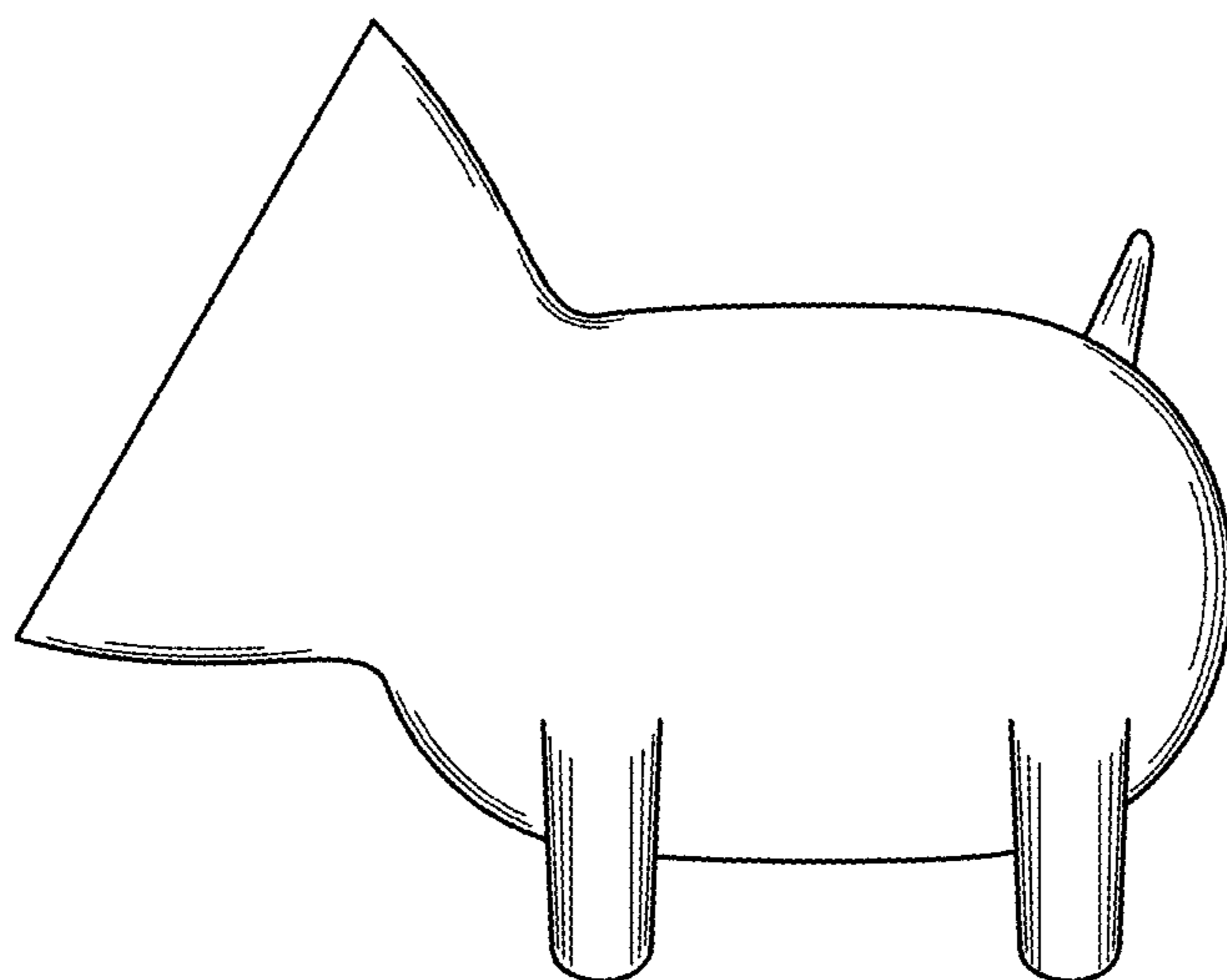


FIG. 2

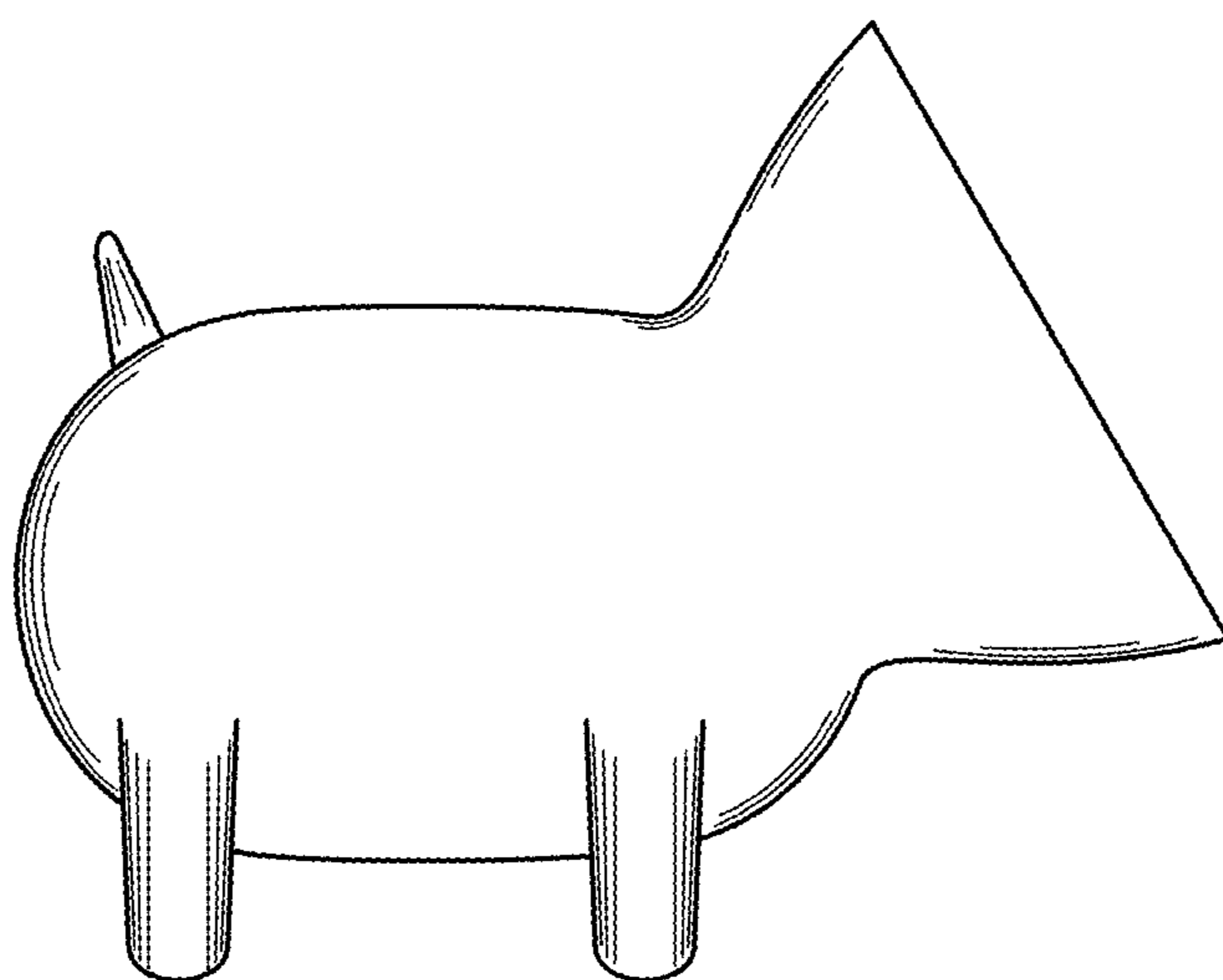


FIG. 3

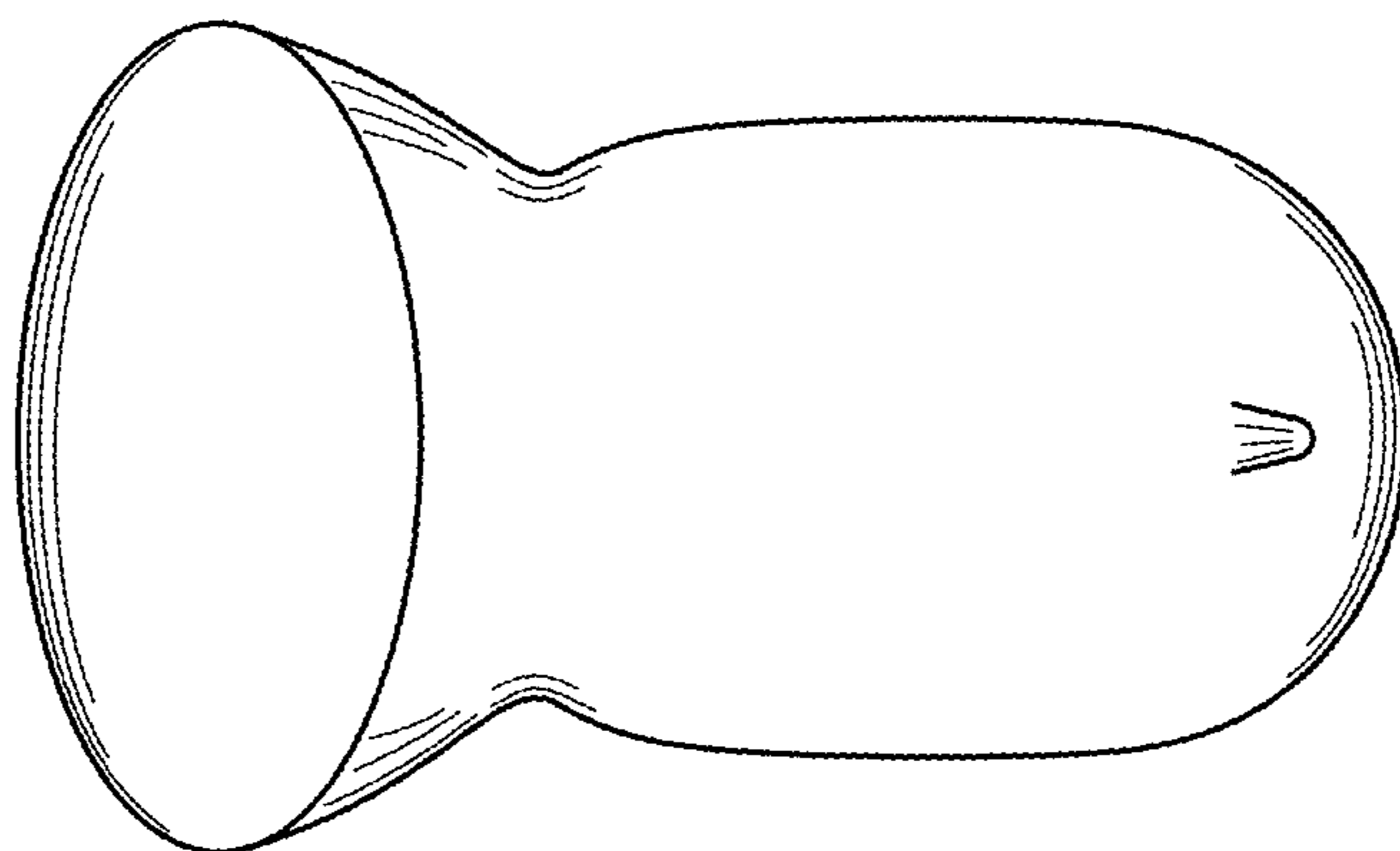


FIG. 4

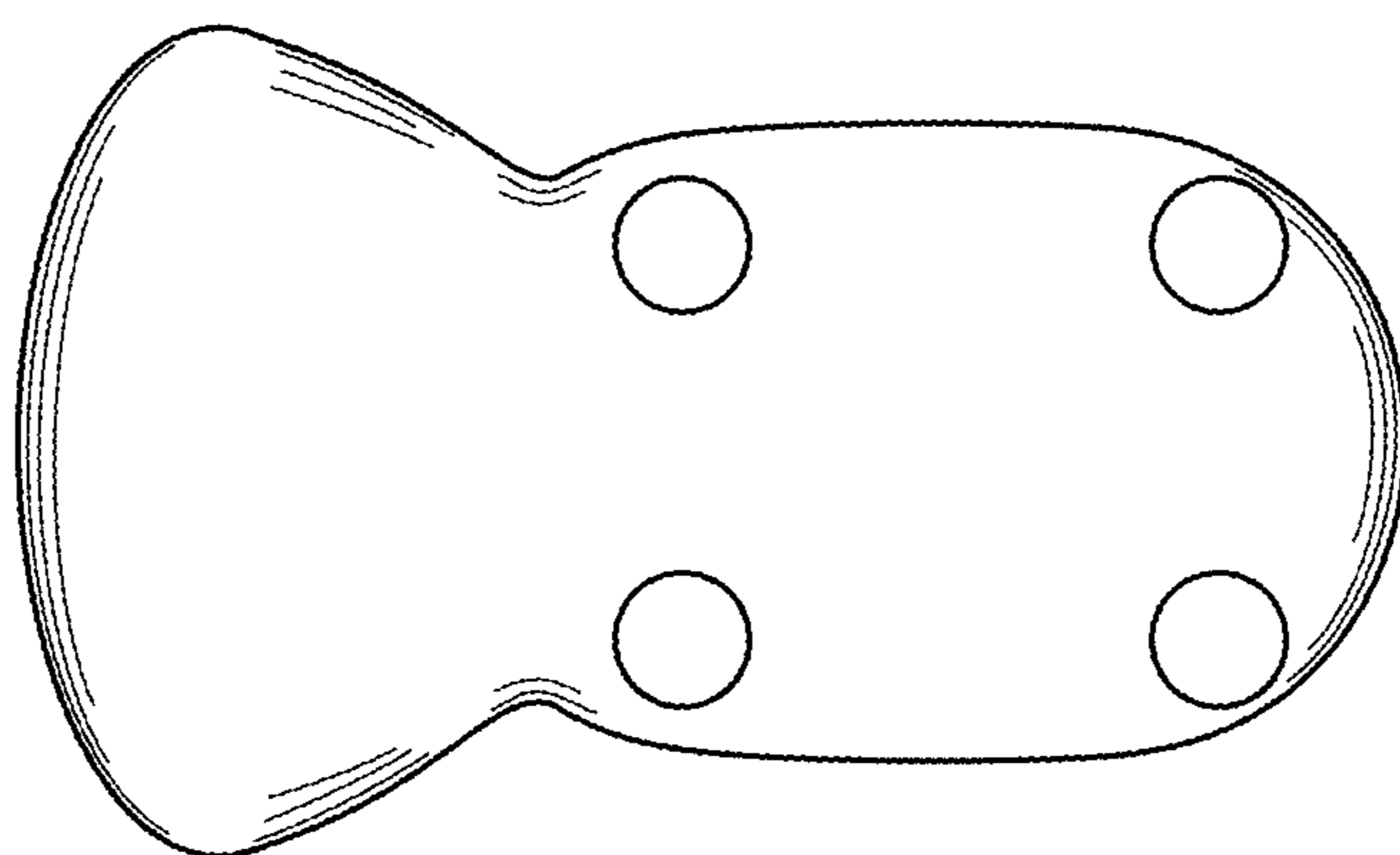


FIG. 5

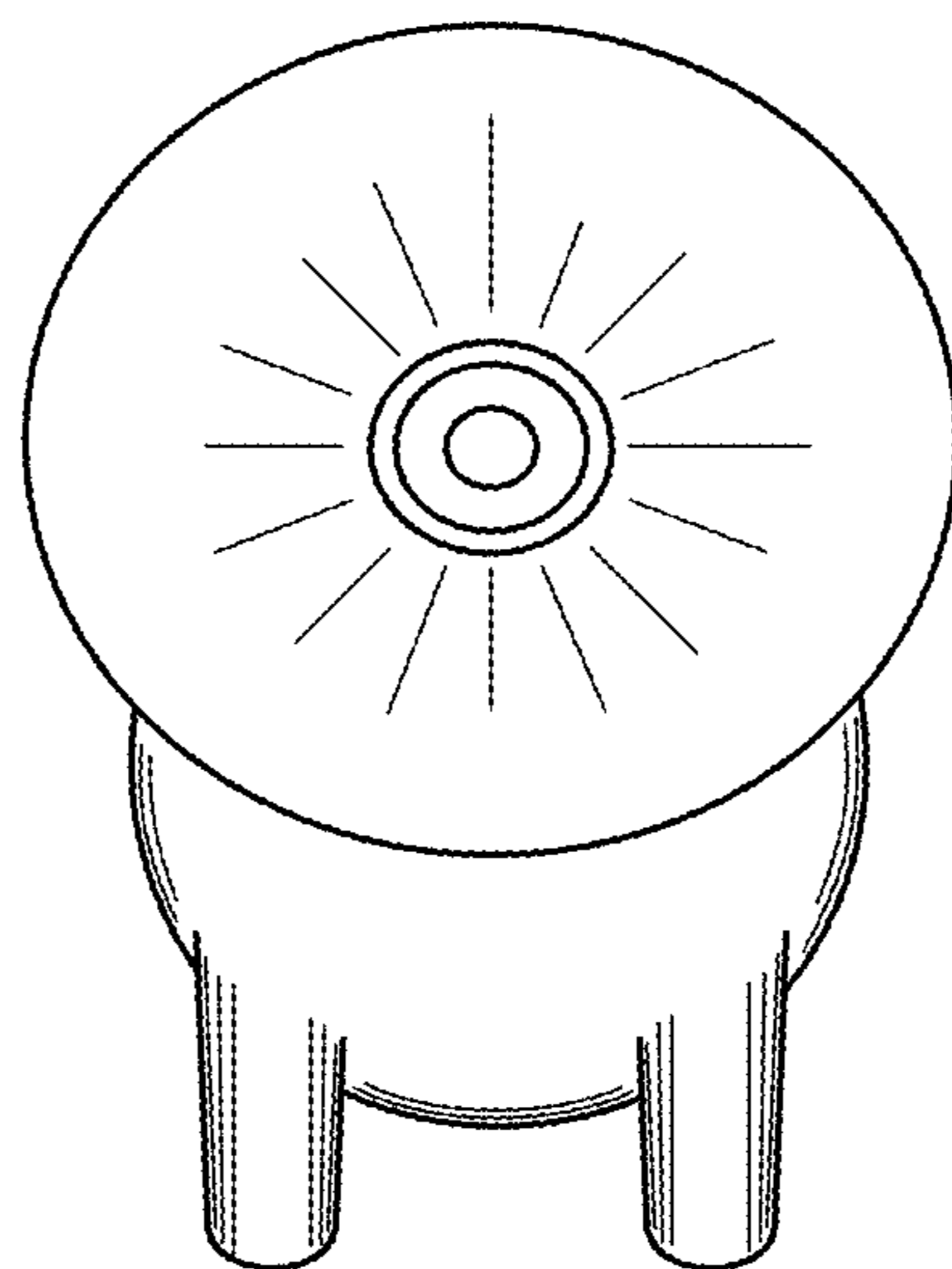


FIG. 6

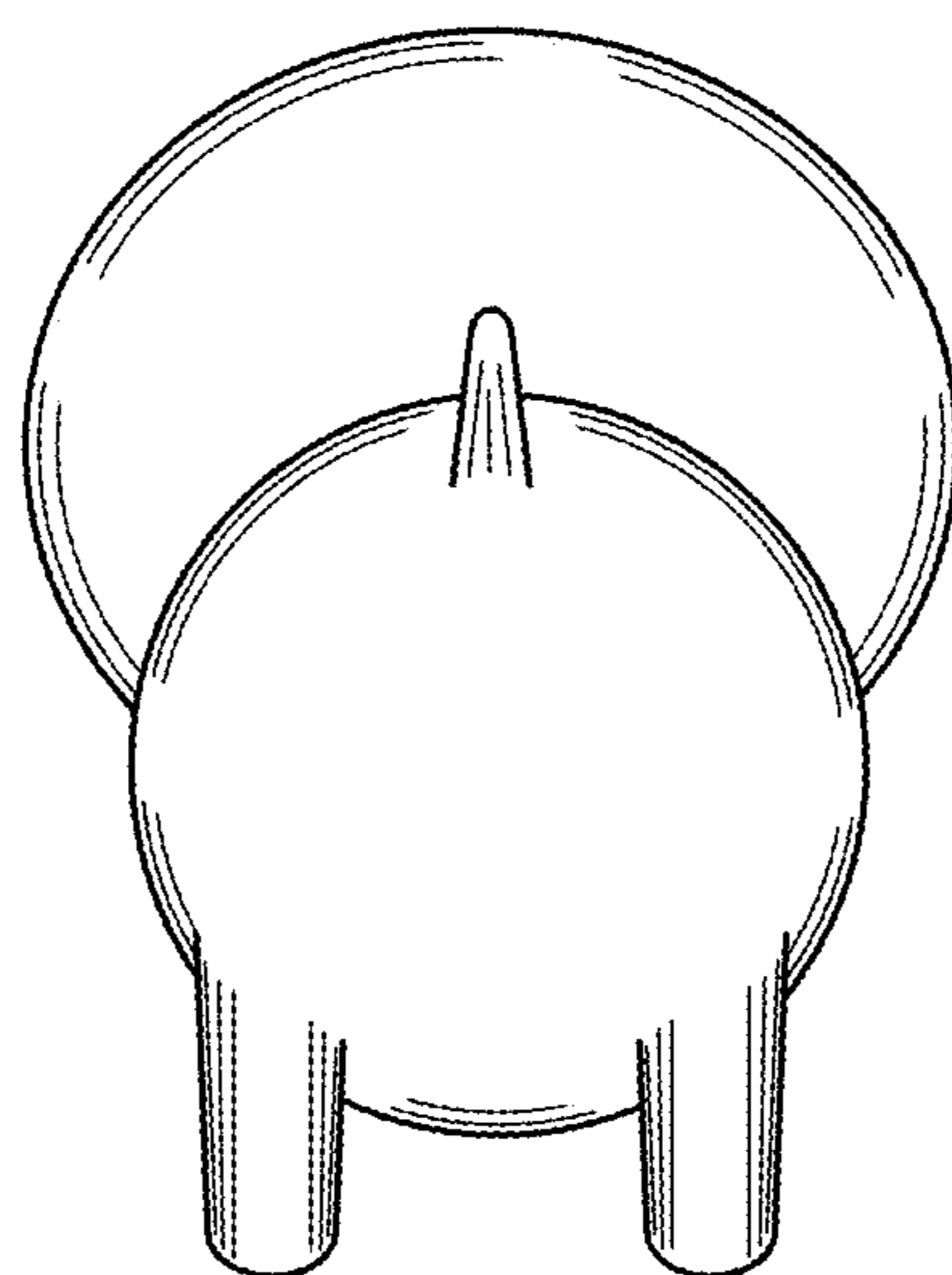


FIG. 7