



US00D732545S

(12) **United States Design Patent**
Apter

(10) **Patent No.:** **US D732,545 S**
(45) **Date of Patent:** **** Jun. 23, 2015**

(54) **TABLET HOLDER**

(71) Applicant: **PADCASTER LLC**, New York, NY
(US)

(72) Inventor: **Josh Apter**, New York, NY (US)

(73) Assignee: **PADCASTER LLC**, New York, NY
(US)

(**) Term: **14 Years**

(21) Appl. No.: **29/493,261**

(22) Filed: **Jun. 6, 2014**

(51) **LOC (10) Cl.** **08-07**

(52) **U.S. Cl.**
USPC **D14/447**

(58) **Field of Classification Search**
USPC D14/447, 451, 452, 439, 440, 432, 457,
D14/460, 461, 217, 239, 251, 253;
D6/406.3, 406.4, 406.5, 406.6;
248/460, 917-924, 150, 176.1, 177.1,
248/181.1, 188.7; 361/679.02, 679.06,
361/679.07, 679.09, 679.21, 679.22,
361/679.26, 679.27, 679.3, 679.55, 679.56;
D8/363, 373, 380
CPC F16M 2200/00; F16M 13/00; A45C
2011/003; A45C 2011/002; A47B 2023/049;
A47B 2097/005; A47B 2097/006; A47B 21/04
See application file for complete search history.

(56) **References Cited**

U.S. PATENT DOCUMENTS

D443,632 S 6/2001 Johansson
6,738,571 B2 5/2004 Takeda
7,304,837 B2 12/2007 Lo et al.
7,551,225 B2 6/2009 Overstreet
8,007,188 B2 8/2011 Orf
8,014,142 B2 9/2011 Prest et al.
D670,295 S * 11/2012 Prescott et al. D14/447
D671,544 S * 11/2012 Chun et al. D14/447

D675,210 S 1/2013 Kim
D686,216 S * 7/2013 Hachadorian et al. D14/447
D688,253 S * 8/2013 Cho et al. D14/447
D689,537 S 9/2013 Campbell et al.
D695,297 S 12/2013 Sun et al.
D695,742 S * 12/2013 Yang D14/432
D696,256 S * 12/2013 Piedra et al. D14/440
D696,670 S 12/2013 Schiller et al.
D703,210 S * 4/2014 Gelsomini et al. D14/440
D706,271 S * 6/2014 Gelsomini et al. D14/440
D709,511 S * 7/2014 Sparks et al. D14/447
D716,363 S * 10/2014 Apter D16/245
2002/0140847 A1 10/2002 Alessio et al.

(Continued)

FOREIGN PATENT DOCUMENTS

RU 2280959 C2 7/2006

OTHER PUBLICATIONS

U.S. Appl. No. 29/434,285 by Apter, filed Oct. 11, 2012.

(Continued)

Primary Examiner — Angela J Lee

(74) *Attorney, Agent, or Firm* — Panitch Schwarze Belisario
& Nadel LLP

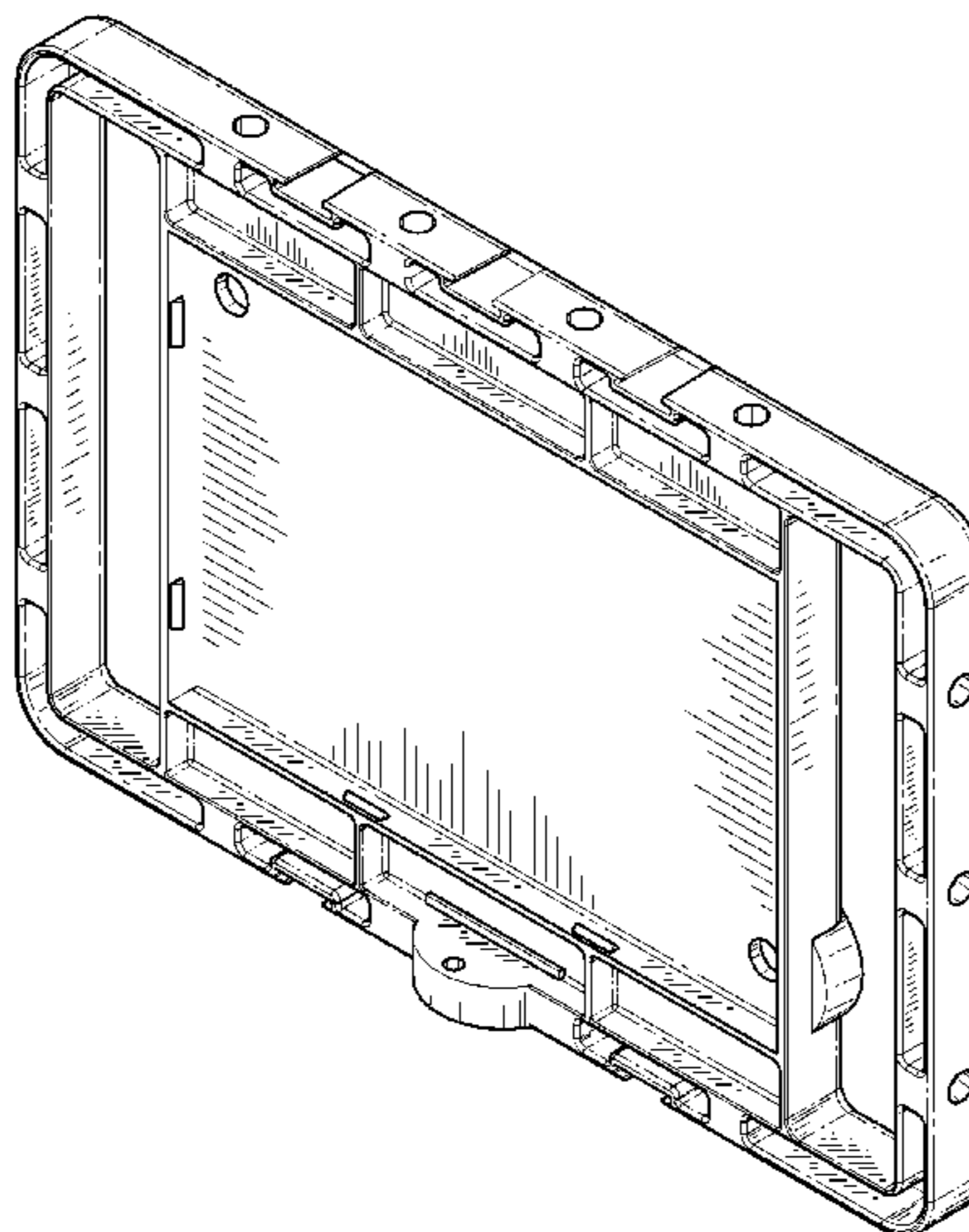
(57) **CLAIM**

The ornamental design for a tablet holder, as shown and
described.

DESCRIPTION

FIG. 1 is a front perspective view of a tablet holder in accordance with my design;
FIG. 2 is a front elevational view thereof;
FIG. 3 is a rear elevational view thereof;
FIG. 4 is a top plan view thereof;
FIG. 5 is a bottom plan view thereof;
FIG. 6 is a right side elevational view thereof;
FIG. 7 is a left side elevational view thereof; and,
FIG. 8 is a rear perspective view thereof.

1 Claim, 6 Drawing Sheets



(56)

References Cited

U.S. PATENT DOCUMENTS

2006/0093348	A1	5/2006	Squillace	
2009/0111543	A1	4/2009	Tai et al.	
2010/0038505	A1	2/2010	Sonnenberg	
2010/0079101	A1	4/2010	Sidman	
2011/0064401	A1	3/2011	Desorbo	
2011/0069947	A1	3/2011	Orf	
2011/0129210	A1	6/2011	McGucken	
2011/0205425	A1	8/2011	Duncan et al.	
2011/0222238	A1	9/2011	Staats et al.	
2012/0043236	A1	2/2012	Szucs et al.	
2012/0062691	A1	3/2012	Fowler et al.	
2012/0321294	A1	12/2012	Tages et al.	
2013/0094846	A1	4/2013	Apter	
2014/0191523	A1*	7/2014	Hansen	294/165
2014/0353180	A1*	12/2014	Hsu et al.	206/45.24

OTHER PUBLICATIONS

Office Action issued Nov. 8, 2013 in U.S. Appl. No. 13/650,335 by Apter.
 Makayama product website, www.makayama.com, archived Jan. 12, 2012, <https://web.archive.org/web/20120112095553/http://www.makayama.com/moviemount.html>. Accessed Oct. 31, 2013.
 www.Focalprice.com. https://web.archive.org/web/20120108015640/http://www.focalprice.com/ID395S/Slim_Foldable_Polyurethane_Smart_Cover_for_iPad_2_Gray.html.
 Archived Jan. 8, 2012. Accessed Oct. 31, 2013.
 Int'l Search Report and Written Opinion issued Jan. 11, 2013 in Int'l Application No. PCT/US2012/059972.
 Int'l Preliminary Report on Patentability issued Apr. 24, 2014 in Int'l Application No. PCT/US2012/059972.
 iOgrapher Mobile Media Cases, retrieved from the internet at <http://www.ioographer.com/collections/cases> on May 28, 2014.

* cited by examiner

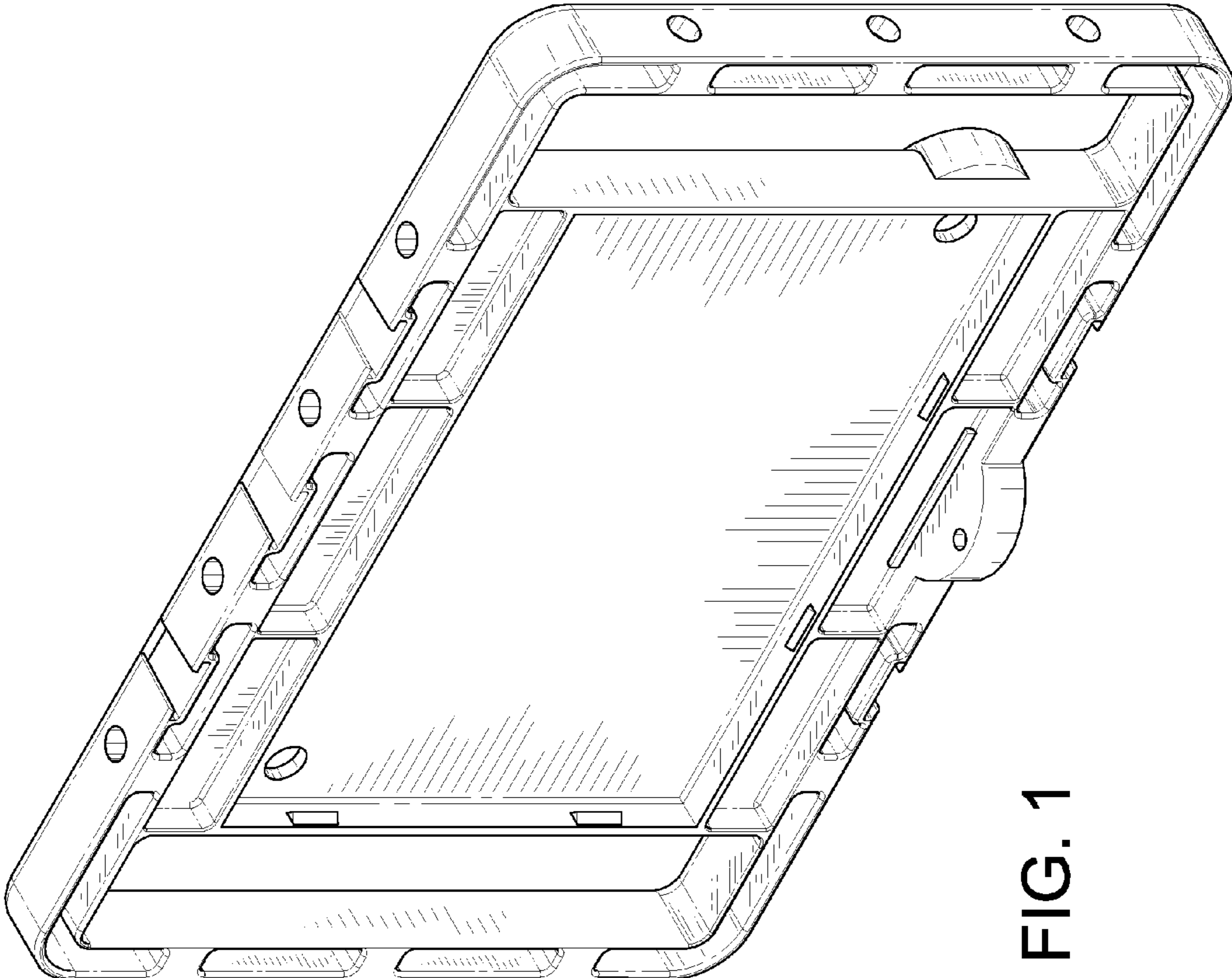


FIG. 1

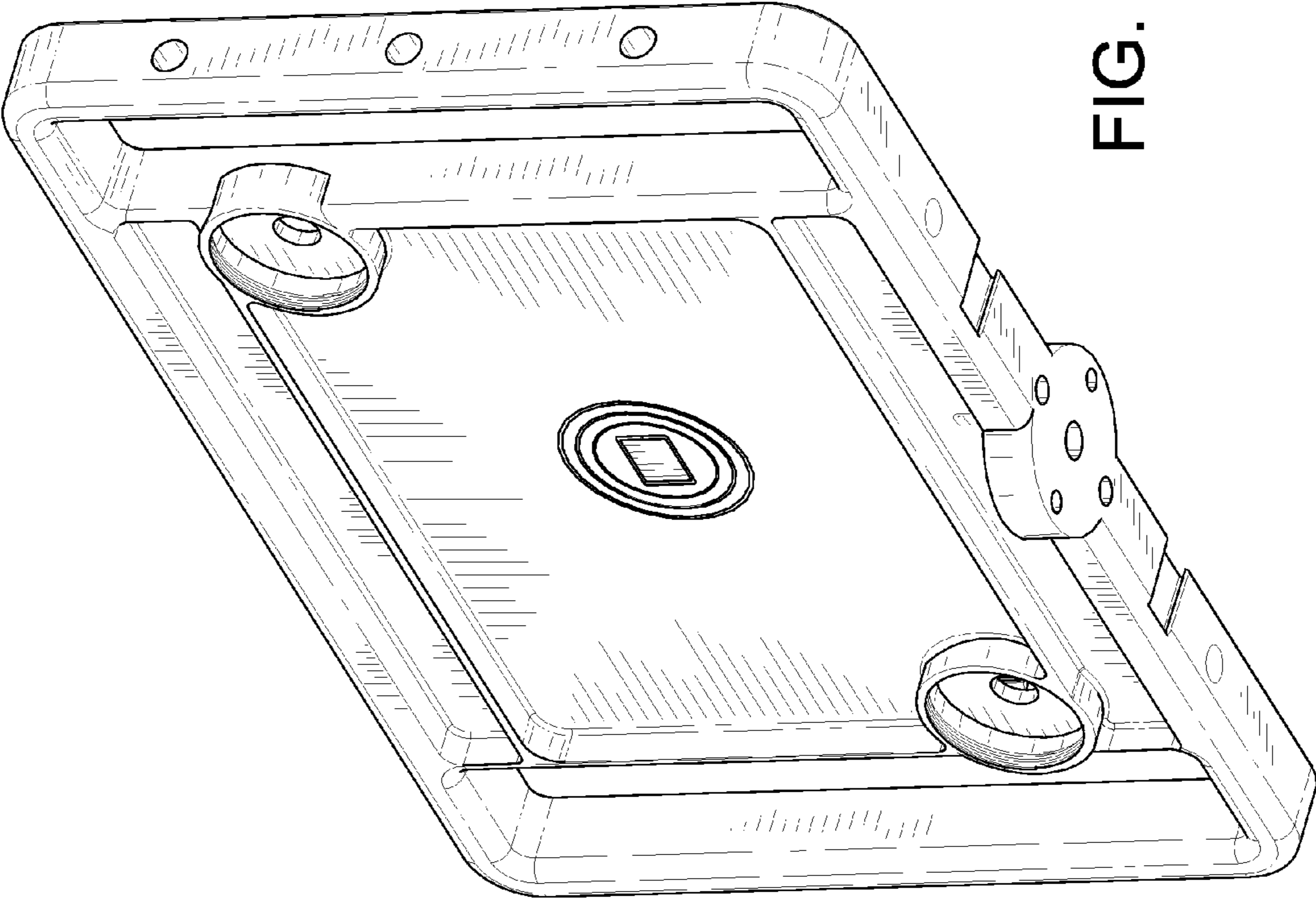


FIG. 2

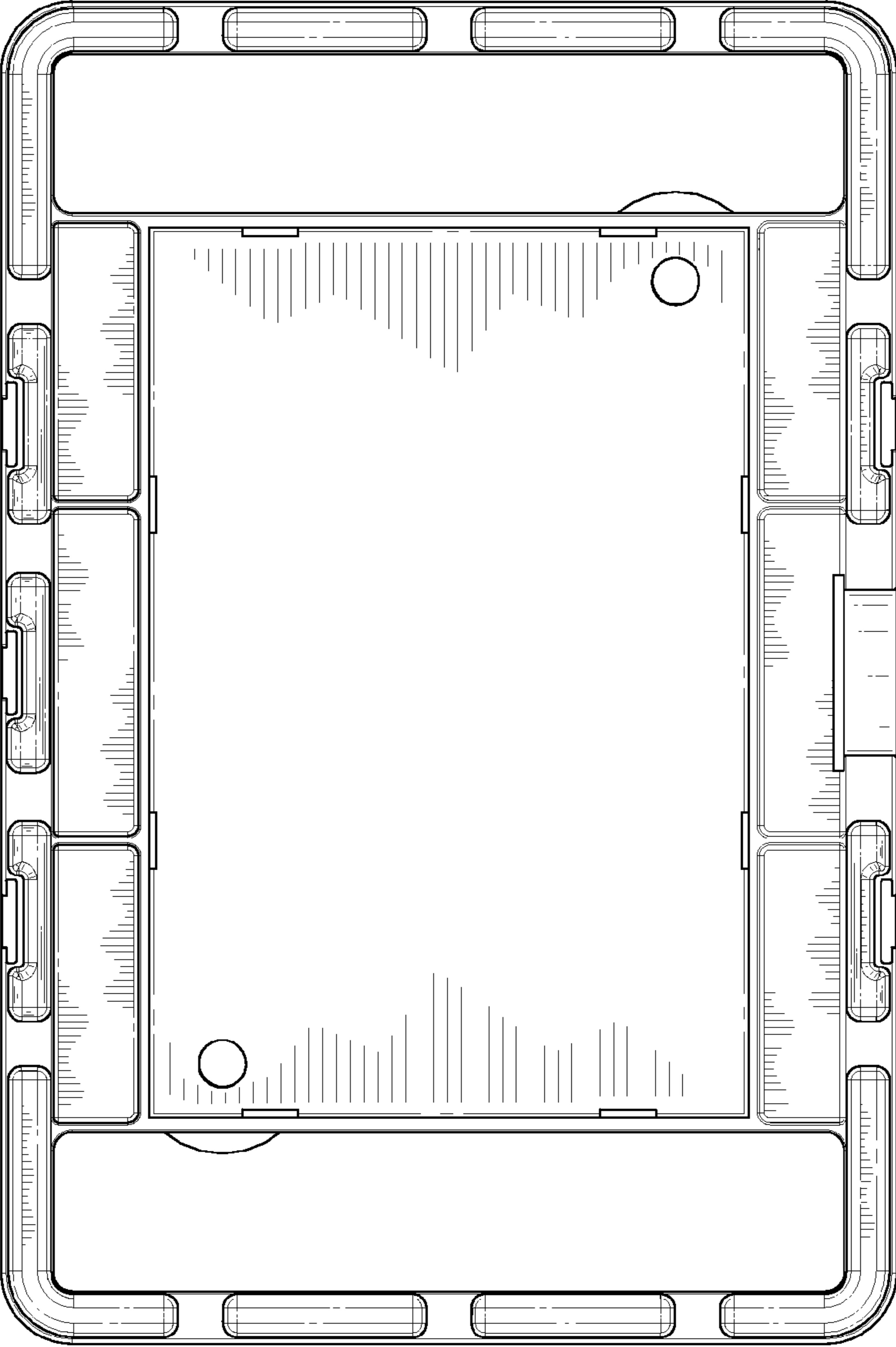


FIG. 3

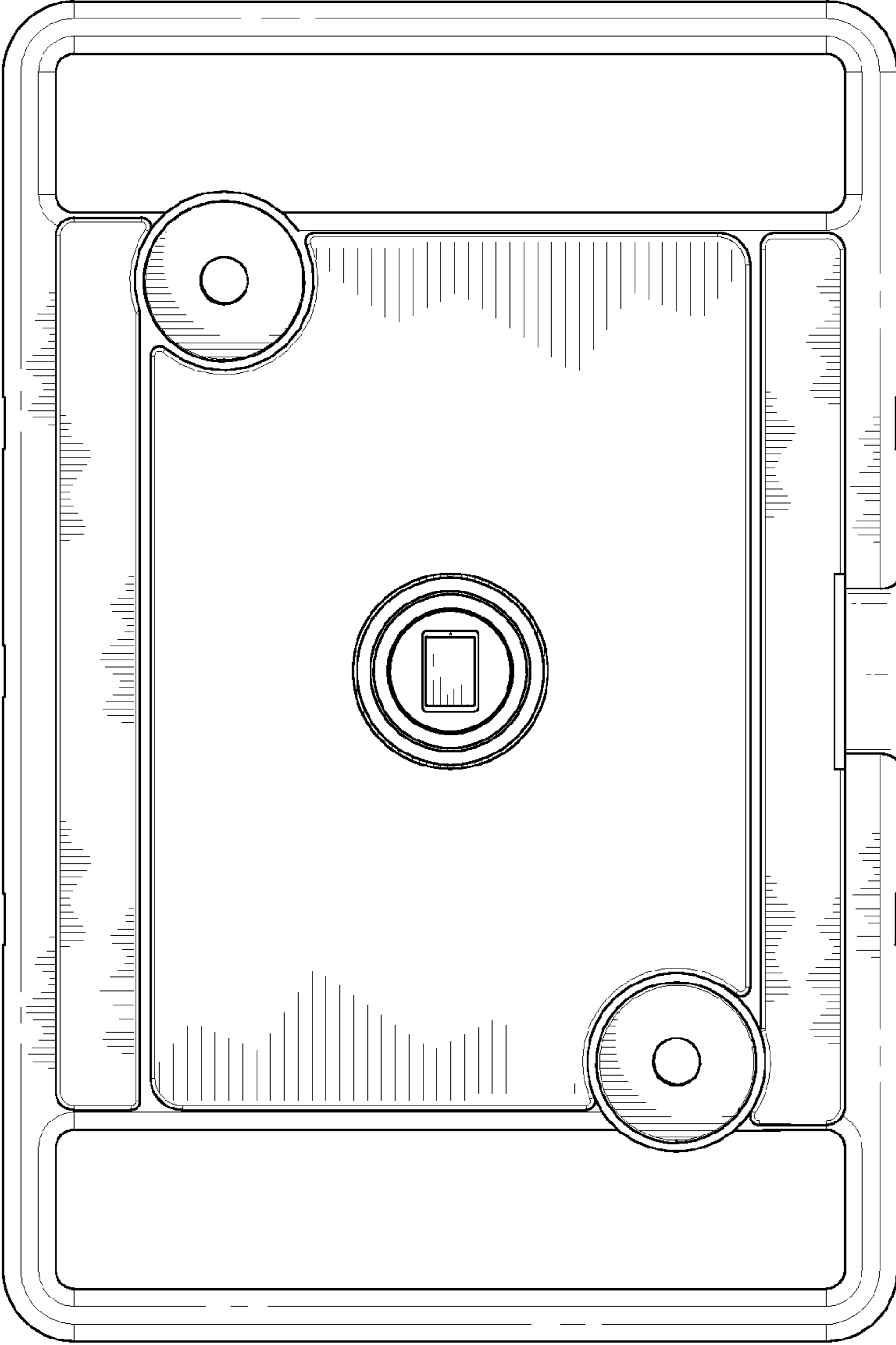


FIG. 4

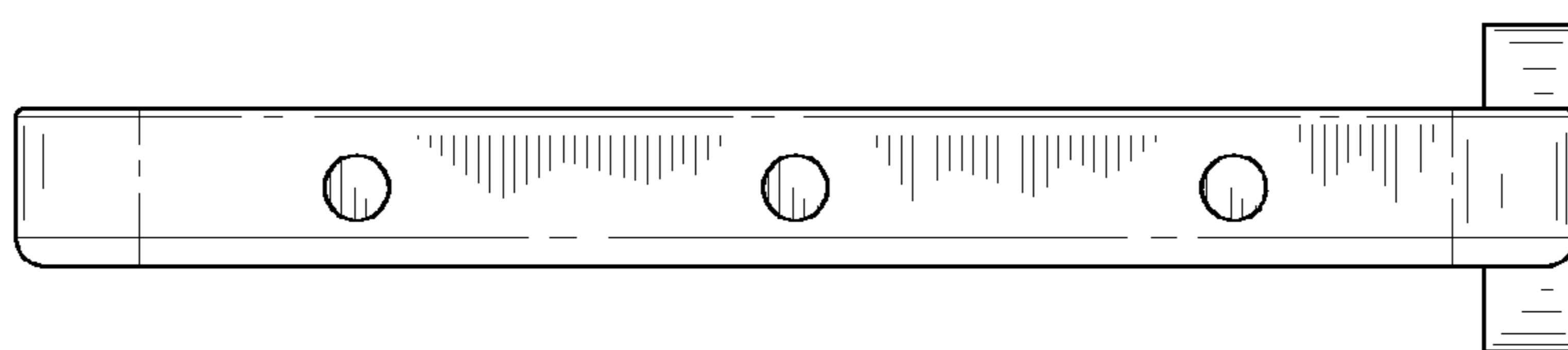


FIG. 6

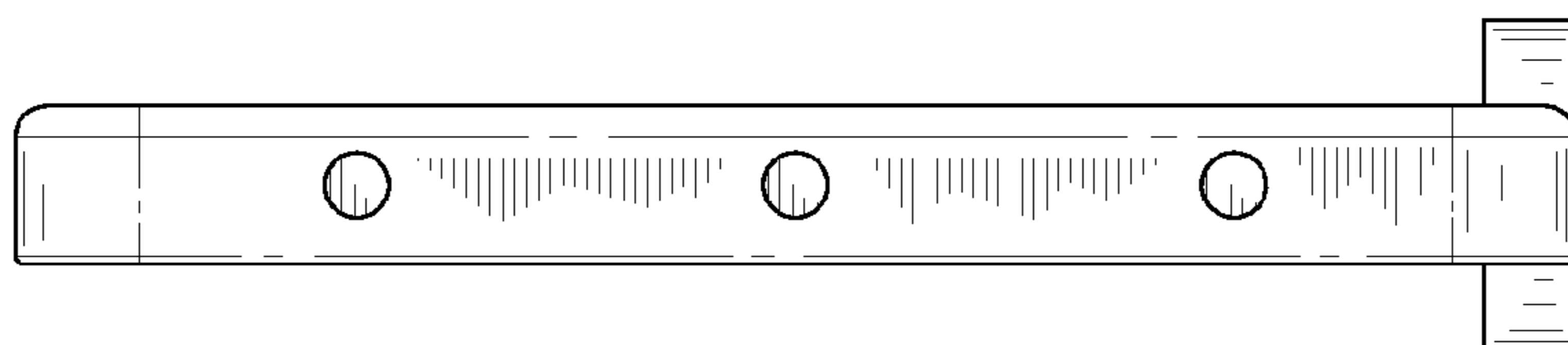


FIG. 5

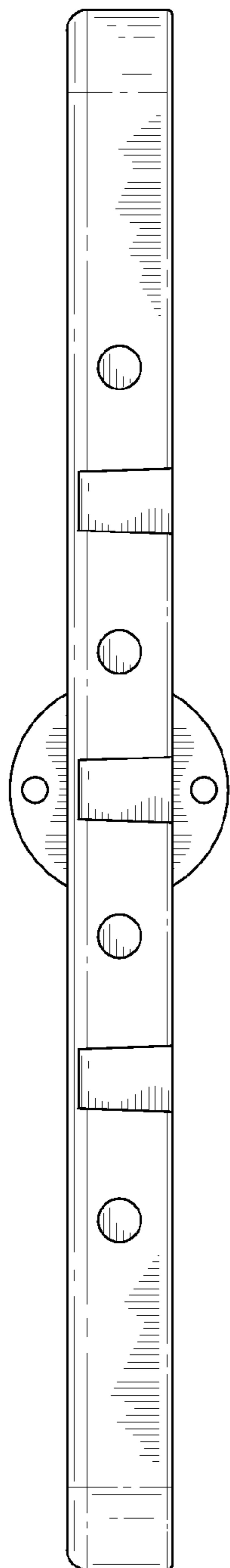


FIG. 7

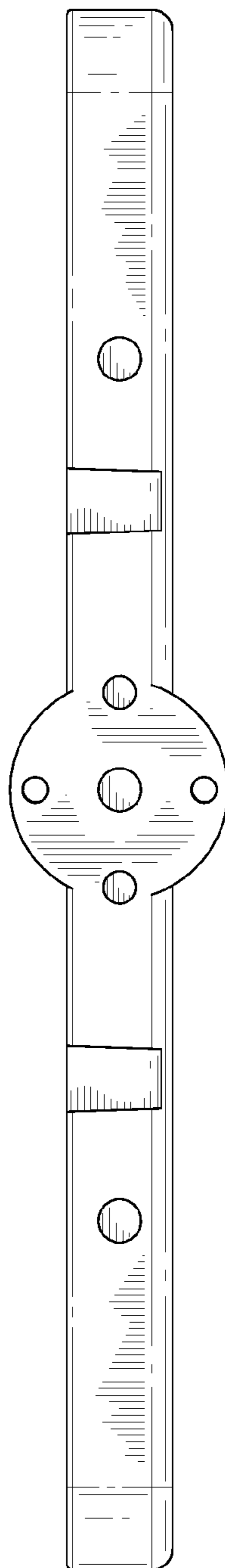


FIG. 8