



US00D732543S

(12) **United States Design Patent**  
**Westrup et al.**

(10) **Patent No.:** **US D732,543 S**  
(45) **Date of Patent:** **\*\* Jun. 23, 2015**

(54) **SUPPORT FOR AN ELECTRONIC DEVICE PROTECTOR**

(71) Applicant: **Cyber Acoustics LLC**, Vancouver, WA (US)

(72) Inventors: **Joseph Westrup**, Vancouver, WA (US); **Kwong Chi Kei**, Hong Kong (CN); **Lui Suen Yuen**, Hong Kong (CN)

(73) Assignee: **CYBER ACOUSTICS LLC**, Vancouver, WA (US)

(\*\*) Term: **14 Years**

(21) Appl. No.: **29/487,846**

(22) Filed: **Apr. 11, 2014**

(51) **LOC (10) Cl.** ..... **08-07**

(52) **U.S. Cl.**  
USPC ..... **D14/447**

(58) **Field of Classification Search**  
USPC ..... D14/447, 451, 452, 439, 440, 432, 457, D14/460, 461, 217, 239, 251, 253; D6/406.3, 406.4, 406.5, 406.6; 248/460, 917-924, 150, 176.1, 177.1, 248/181.1, 188.7; 361/679.02, 679.06, 361/679.07, 679.09, 679.21, 679.22, 361/679.26, 679.27, 679.3, 679.55, 679.56; D8/363, 373, 380  
CPC ..... F16M 2200/00; F16M 13/00; A45C 2011/003; A45C 2011/002; A47B 2023/049; A47B 2097/005; A47B 2097/006; A47B 21/04  
See application file for complete search history.

(56) **References Cited**

**U.S. PATENT DOCUMENTS**

5,029,796 A 7/1991 Schoenig  
7,025,274 B2 4/2006 Solomon et al.  
D558,192 S \* 12/2007 Daly et al. .... D14/251

D558,771 S 1/2008 Derry et al.  
D587,715 S \* 3/2009 Davis et al. .... D14/451  
D592,188 S 5/2009 Huang  
D640,707 S 6/2011 Yeh  
D644,428 S 9/2011 Feng  
D647,526 S 10/2011 Vandiver et al.  
D652,045 S 1/2012 Hong  
D653,668 S 2/2012 Song et al.  
D660,305 S 5/2012 Ho et al.  
D669,481 S 10/2012 Prescott et al.  
D669,890 S 10/2012 Hopkins et al.  
8,281,924 B2 10/2012 Westrup  
D670,703 S 11/2012 Hasbrook et al.  
D672,356 S \* 12/2012 Quijano et al. .... D14/447  
D677,265 S \* 3/2013 Lu et al. .... D14/451  
8,540,205 B2 \* 9/2013 Zhang et al. .... 248/688  
D706,254 S \* 6/2014 Chang ..... D14/250  
D718,772 S \* 12/2014 Westrup et al. .... D14/447  
2003/0222149 A1 12/2003 Solomon et al.  
2007/0029453 A1 \* 2/2007 Hsiung ..... 248/176.1

(Continued)

*Primary Examiner* — Angela J Lee

(74) *Attorney, Agent, or Firm* — Chernoff Vilhauer McClung & Stenzel LLP

(57) **CLAIM**

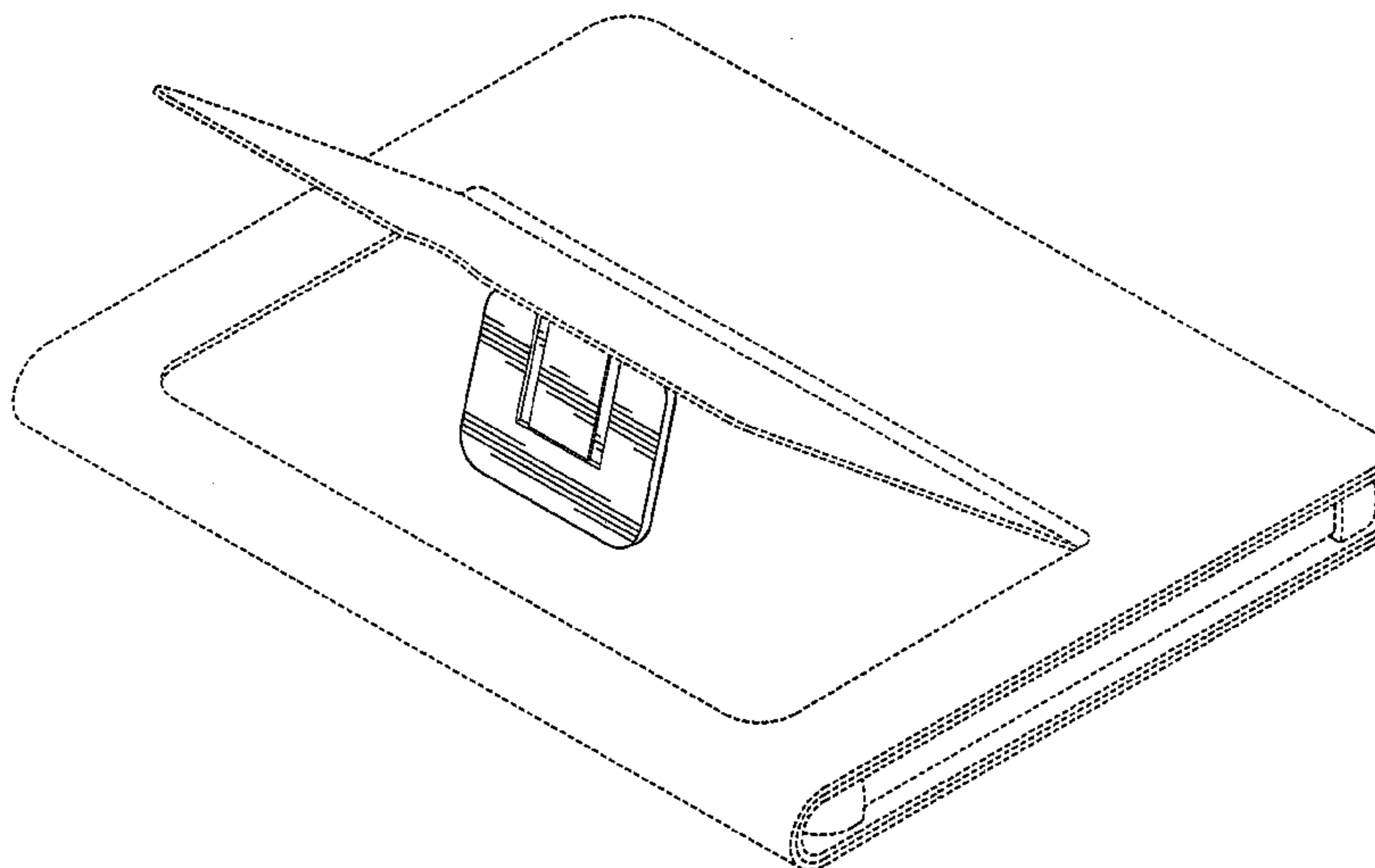
The ornamental design for a support for electronic device protector, as shown and described.

**DESCRIPTION**

FIG. 1 is rear perspective view of our support design for an electronic device protector shown with the protector in closed position and the support deployed. The protector is shown in broken line and is included for merely illustration purposes to show the support design in its environment and forms no part of the support design claim.

FIG. 2 is a left side view of the support design of FIG. 1. FIG. 3 is a right side view of the support design of FIG. 1; and, FIG. 4 is a rear view of the support design of FIG. 1. The support design is not visible from the front, top, or bottom view of the protector.

**1 Claim, 3 Drawing Sheets**



(56)

**References Cited**

U.S. PATENT DOCUMENTS

2007/0029458	A1 *	2/2007	Wang et al. ....	248/454	2011/0031287	A1	2/2011	Le Gette et al.	
2008/0237432	A1	10/2008	Patterson		2011/0290687	A1	12/2011	Han	
2010/0072334	A1	3/2010	Le Gette et al.		2012/0043247	A1	2/2012	Westrup	
2010/0122924	A1	5/2010	Andrews		2012/0074272	A1	3/2012	Hull	
2010/0171671	A1 *	7/2010	Park .....	343/720	2012/0153116	A1	6/2012	Harrison	
2010/0294683	A1	11/2010	Mish et al.		2012/0275025	A1	11/2012	Parrill	
2010/0309617	A1 *	12/2010	Wang et al. ....	361/679.01	2014/0021092	A1	1/2014	Murphy et al.	
					2014/0153176	A1 *	6/2014	Ashcraft et al. ....	361/679.21
					2014/0175253	A1 *	6/2014	Huang et al. ....	248/558

\* cited by examiner

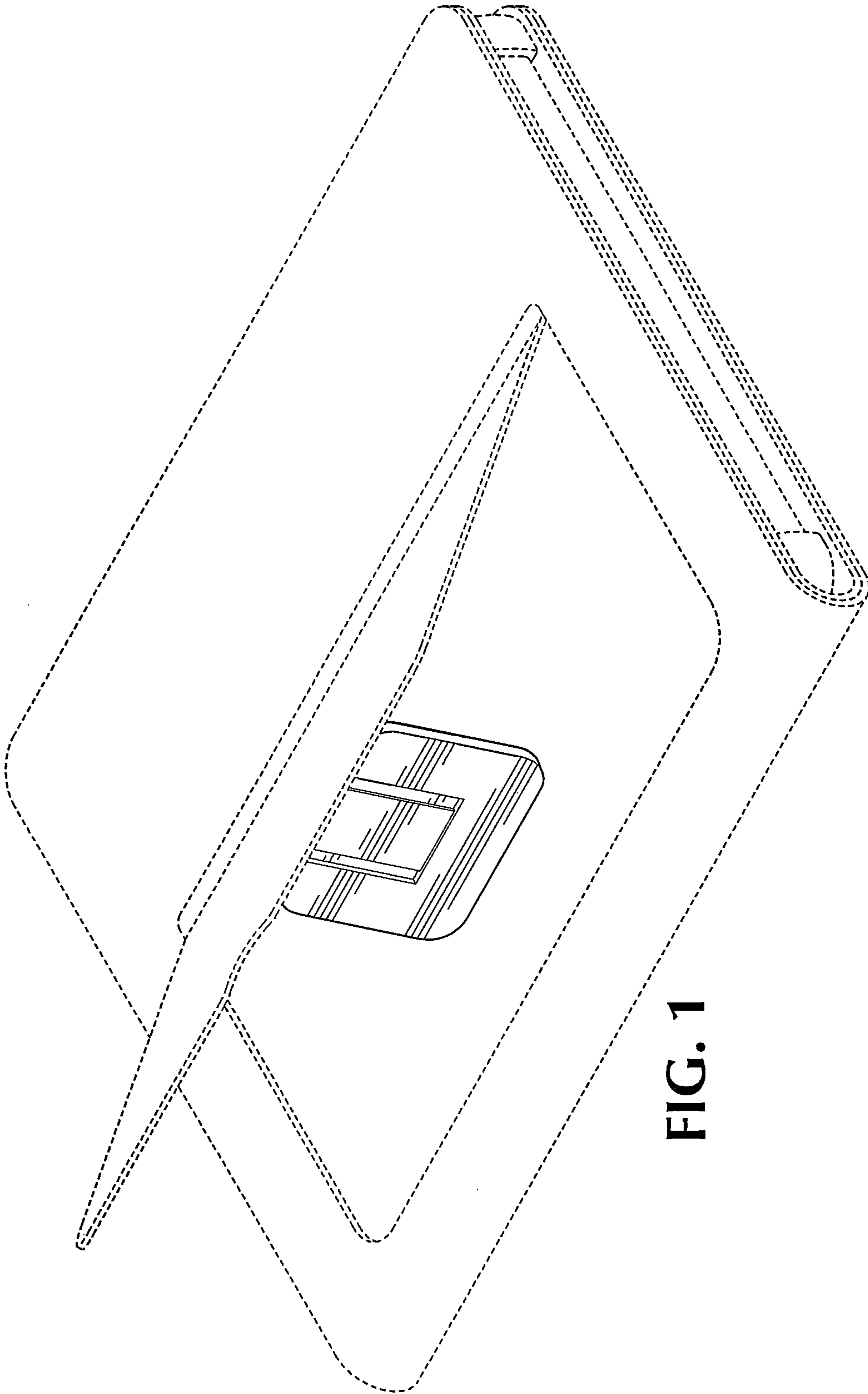


FIG. 1

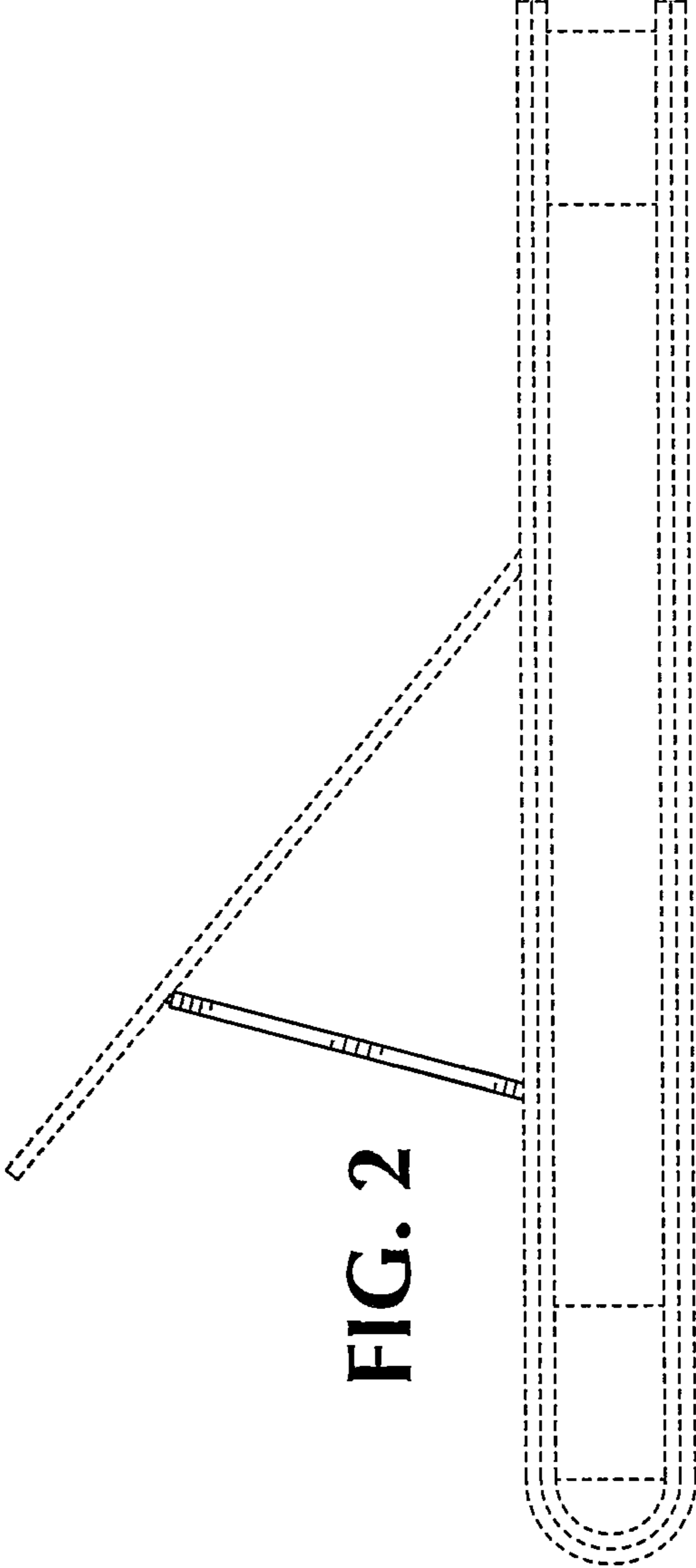


FIG. 2

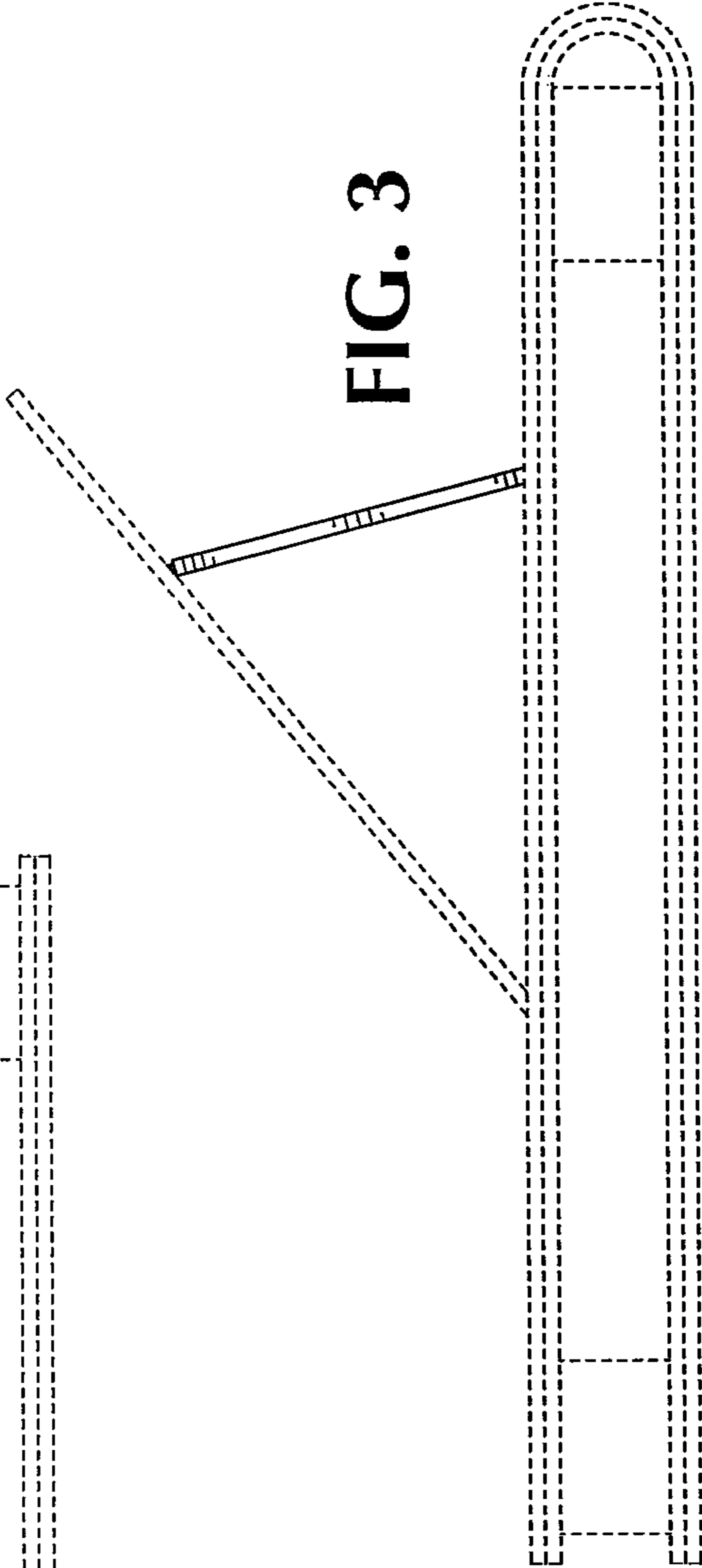


FIG. 3

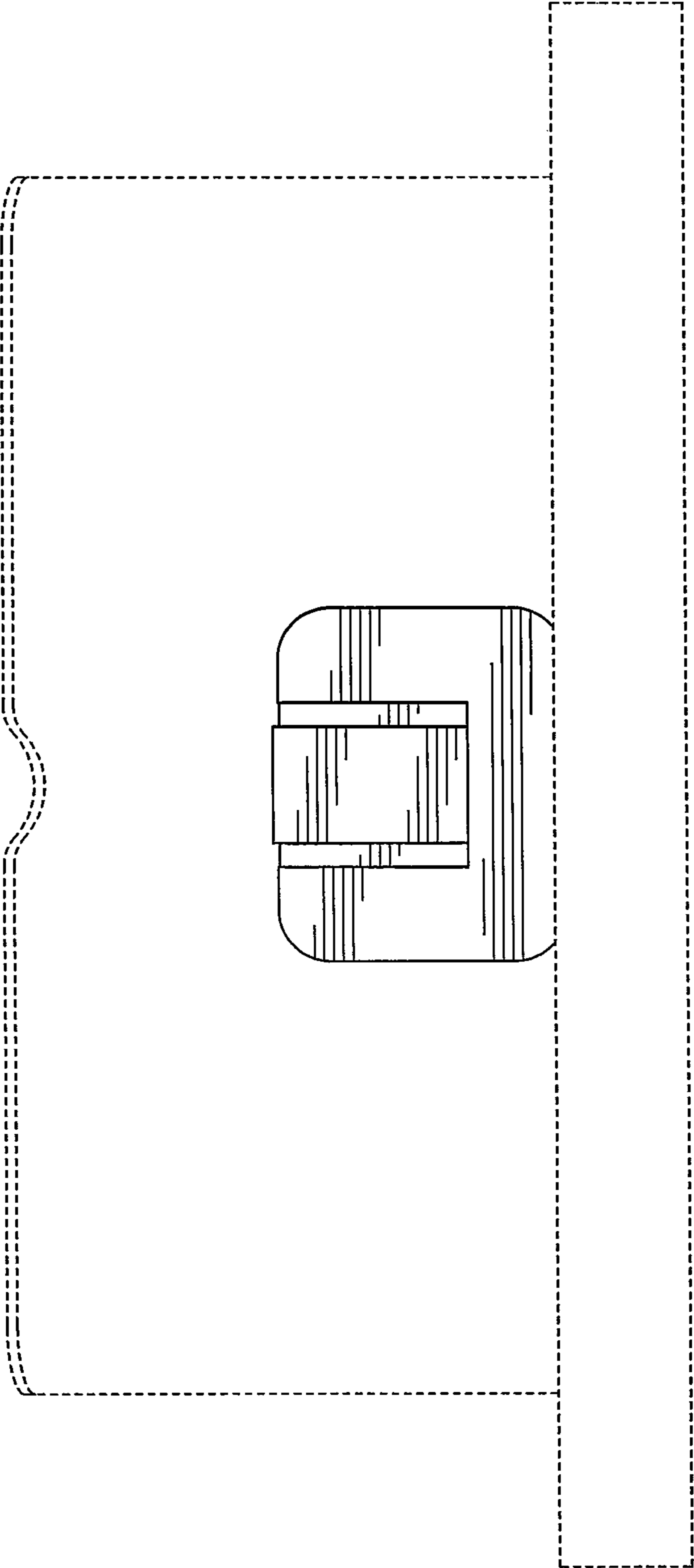


FIG. 4