

US00D732541S

(12) **United States Design Patent**
Bates et al.

(10) **Patent No.:** **US D732,541 S**
(45) **Date of Patent:** **** Jun. 23, 2015**

- (54) **FOLIO TABLET CASE**
- (71) Applicant: **Logitech Europe S. A.**, Morges (CH)
- (72) Inventors: **Mathew Bates**, Deansgrange (IE);
Benjamin Riot, Dublin (IE); **Beatrice Santiccioli**, San Francisco, CA (US);
Samuel Lising, San Francisco, CA (US)
- (73) Assignee: **Logitech Europe S.A.**, Morges (CH)
- (**) Term: **14 Years**
- (21) Appl. No.: **29/450,305**
- (22) Filed: **Mar. 15, 2013**
- (51) **LOC (10) Cl.** **14-02**
- (52) **U.S. Cl.**
USPC **D14/440**
- (58) **Field of Classification Search**
USPC D14/315–328, 341, 391–399; D18/1, 2,
D18/7, 11; 235/145 A, 145 R; 341/22, 23;
345/104, 156, 168, 169, 173, 87,
345/901–905; 361/679.08–679.18, 679.27;
400/486, 489
See application file for complete search history.

- (56) **References Cited**
U.S. PATENT DOCUMENTS
D600,240 S * 9/2009 Solomon et al. D14/315
D667,824 S * 9/2012 Ashcraft et al. D14/315
D676,449 S * 2/2013 Probst et al. D14/440
8,472,186 B2 * 6/2013 Probst et al. 361/679.55
D685,802 S * 7/2013 Canizares et al. D14/440
D692,886 S * 11/2013 Bates et al. D14/392
D693,822 S * 11/2013 Bates et al. D14/440

- D694,246 S * 11/2013 Park et al. D14/440
- D703,672 S * 4/2014 Kim et al. D14/440
- D711,887 S * 8/2014 Akana et al. D14/440
- 2012/0088557 A1 * 4/2012 Liang 455/575.1
- 2012/0224316 A1 * 9/2012 Shulenberger 361/679.09
- 2013/0170126 A1 * 7/2013 Lee 361/679.17
- 2014/0071606 A1 * 3/2014 Bates et al. 361/679.09
- 2014/0071607 A1 * 3/2014 Frinak et al. 361/679.09

* cited by examiner

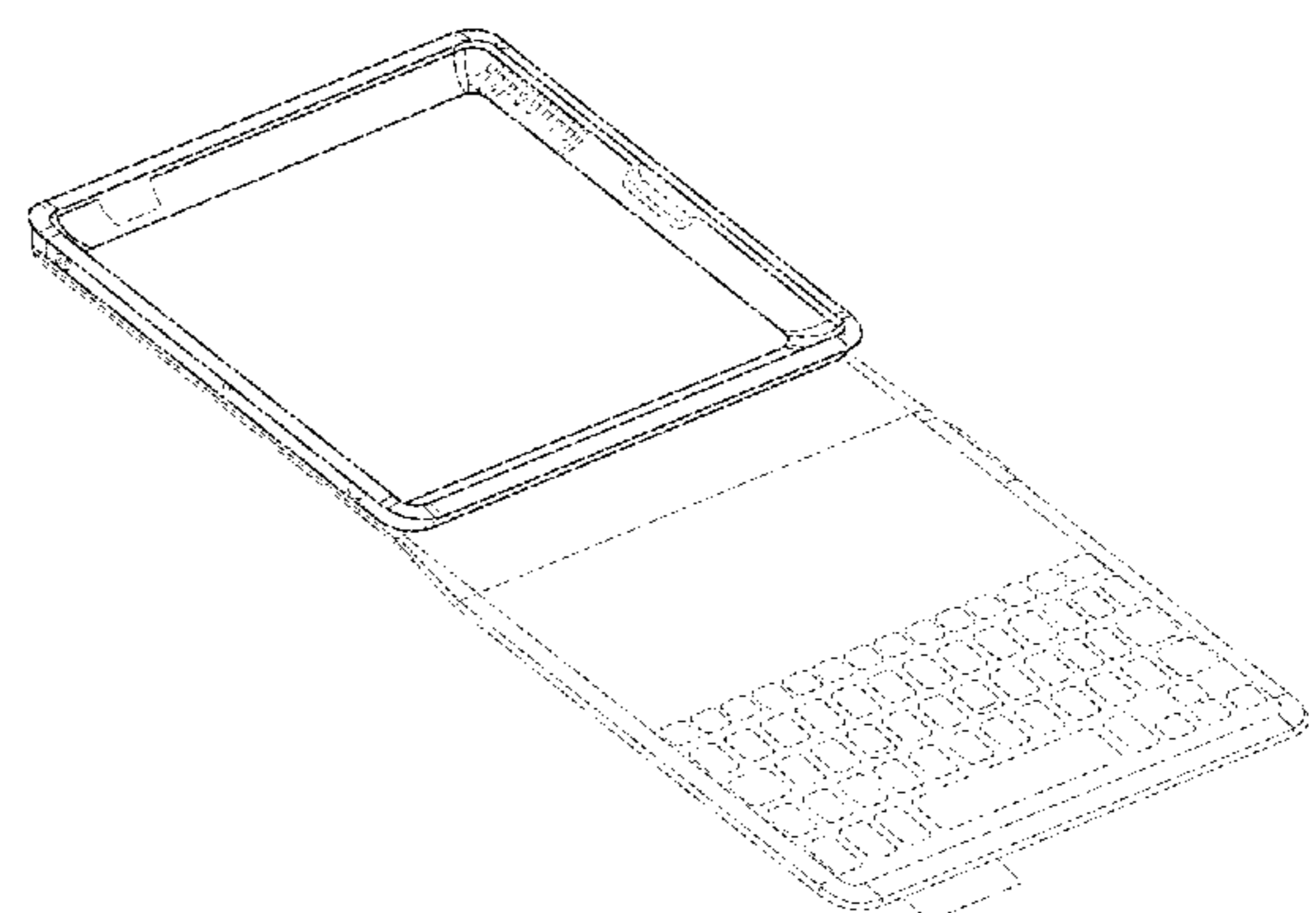
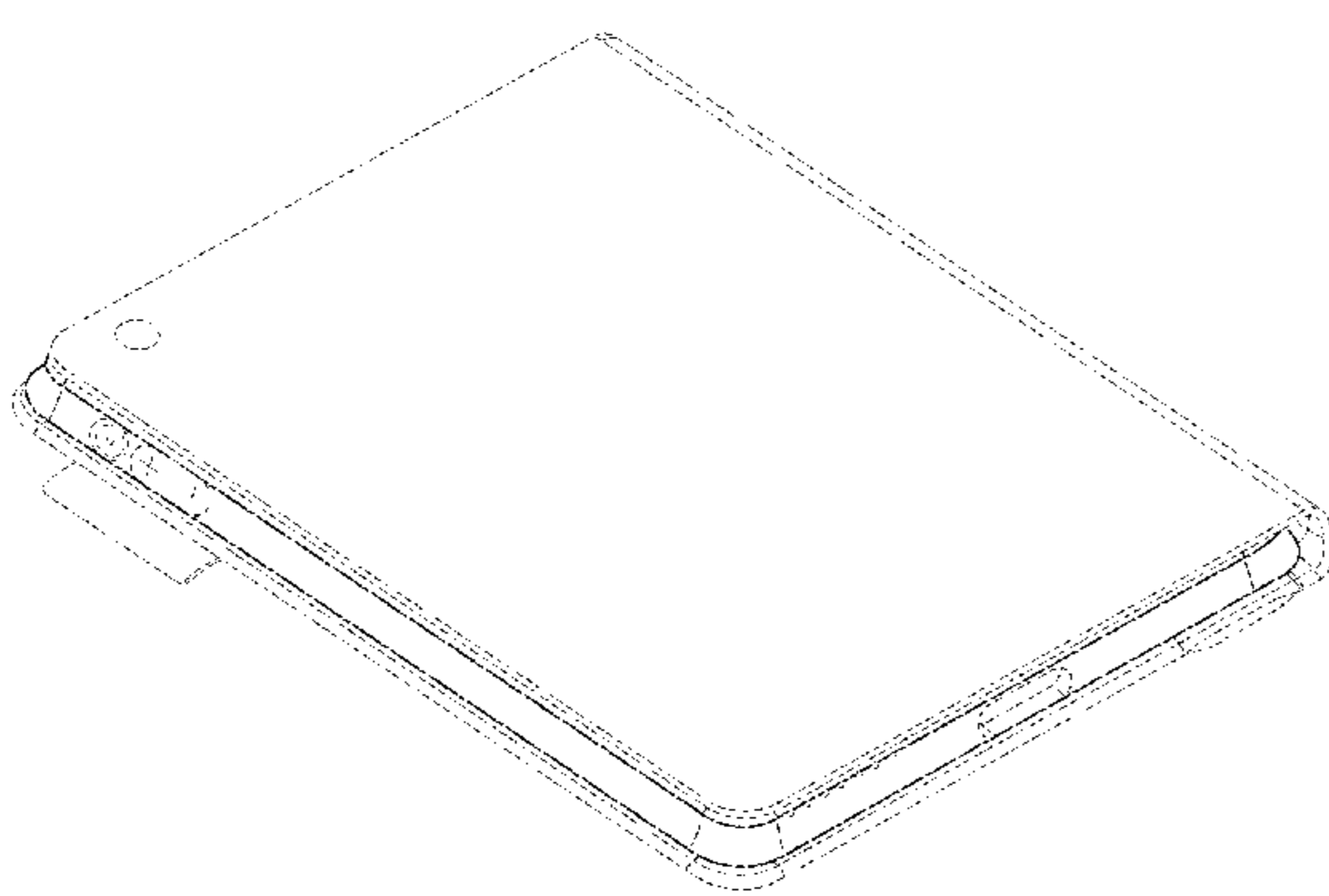
Primary Examiner — Caron D Veynar
Assistant Examiner — Holly E Thurman
(74) *Attorney, Agent, or Firm* — Kilpatrick Townsend & Stockton LLP

(57) **CLAIM**
The ornamental design for a folio tablet case, as shown and as described.

DESCRIPTION

FIG. 1 is a perspective view of a folio tablet case showing our new design, in closed position;
FIG. 2 is a top plan view thereof;
FIG. 3 is a bottom plan view thereof;
FIG. 4 is a front elevational view thereof;
FIG. 5 is a rear elevational view thereof;
FIG. 6 is a left side elevational view thereof; and
FIG. 7 is a right side elevational view thereof.
FIG. 8 is a perspective view of FIG. 1 in open position;
FIG. 9 is a top plan view thereof;
FIG. 10 is a bottom plan view thereof;
FIG. 11 is a front elevational view thereof;
FIG. 12 is a rear elevational view thereof;
FIG. 13 is a left side elevational view thereof; and,
FIG. 14 is a right side elevational view thereof.
The broken lines shown form no part of the claimed design.

1 Claim, 14 Drawing Sheets



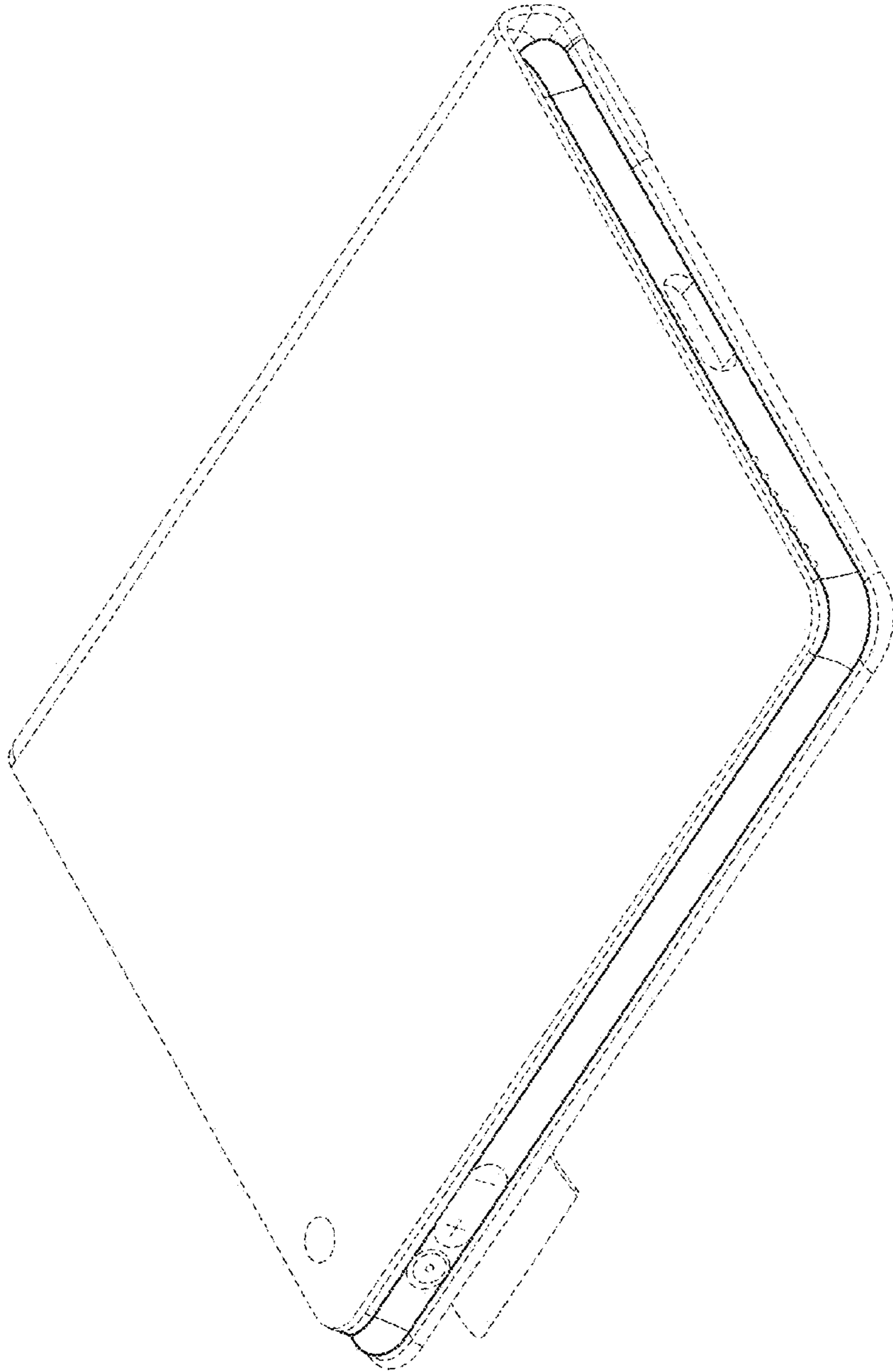


FIG. 1

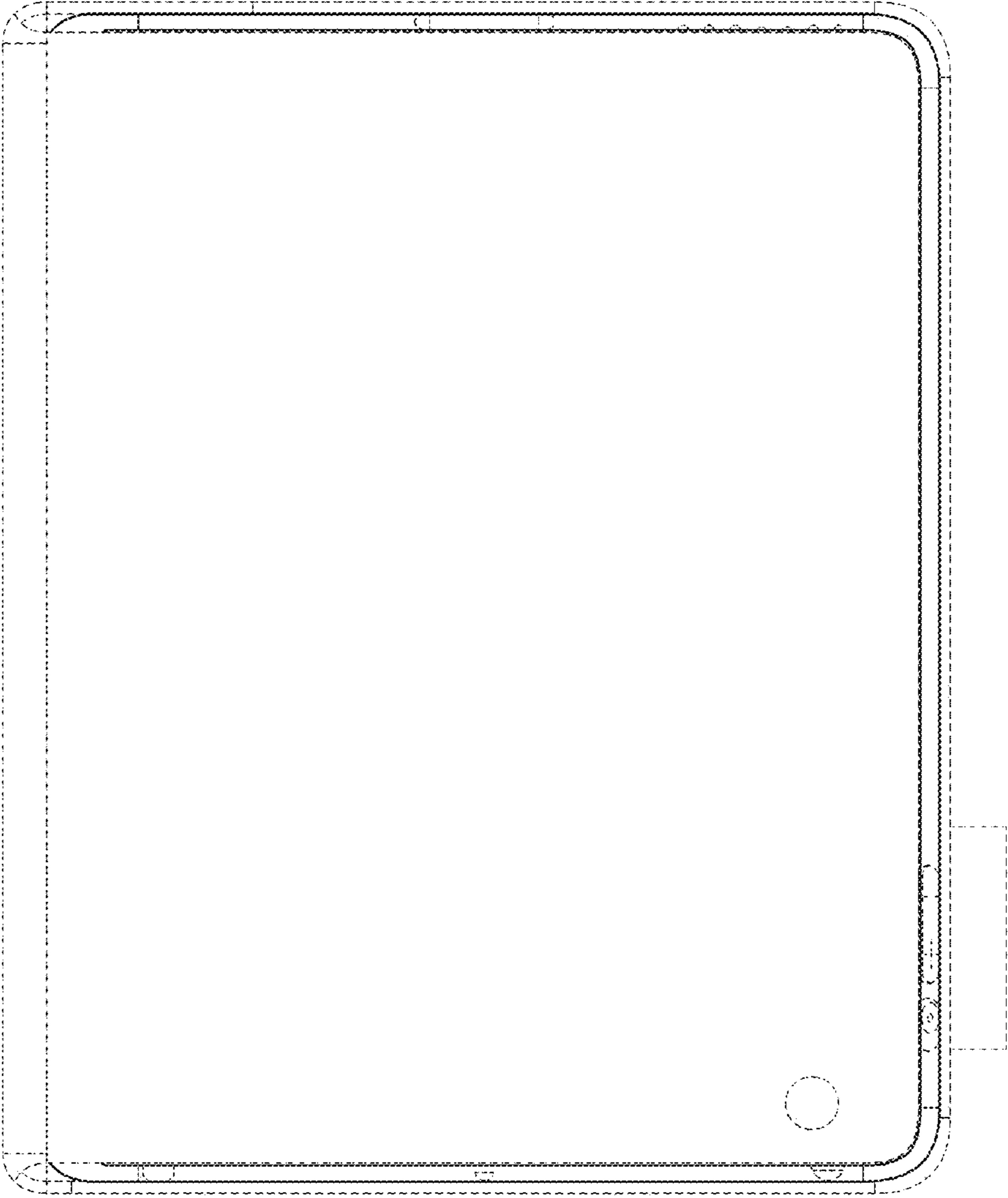


FIG. 2

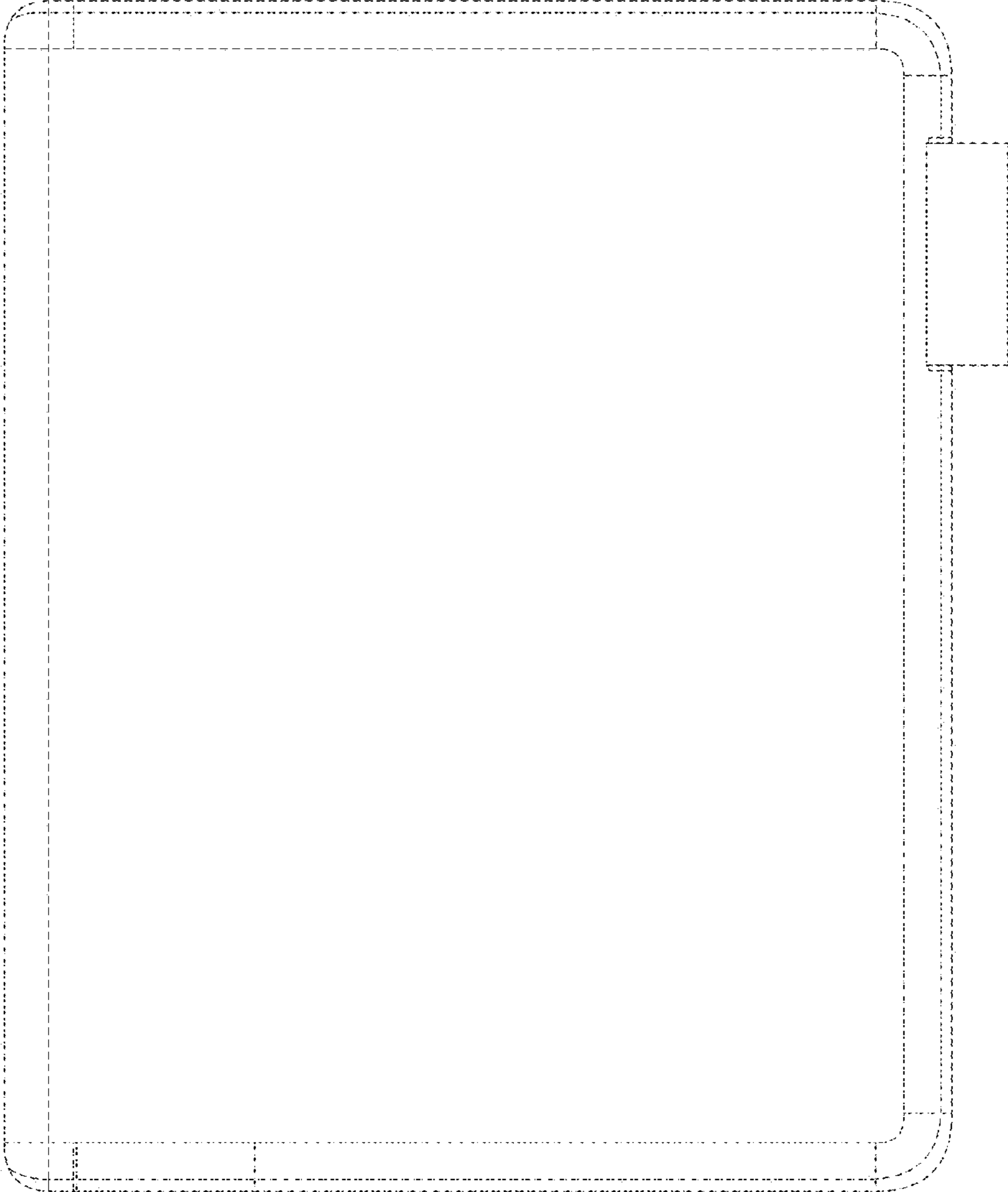


FIG. 3

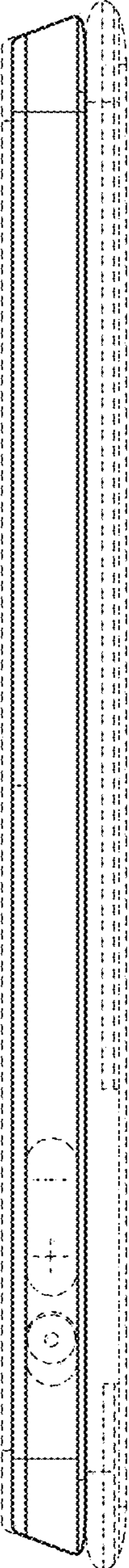


FIG. 4

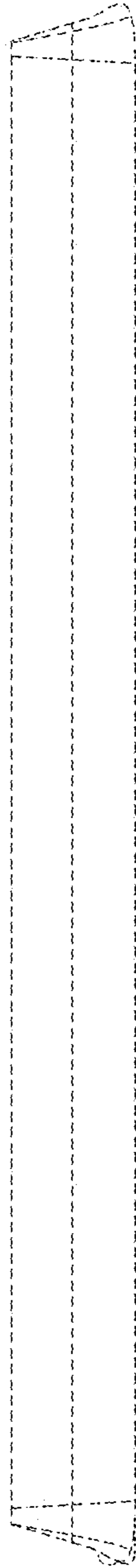


FIG. 5

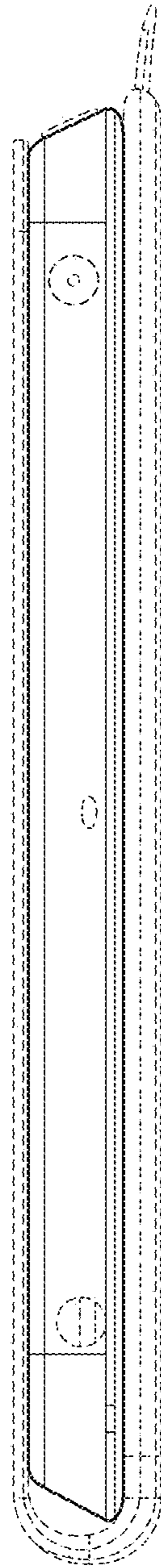


FIG. 6

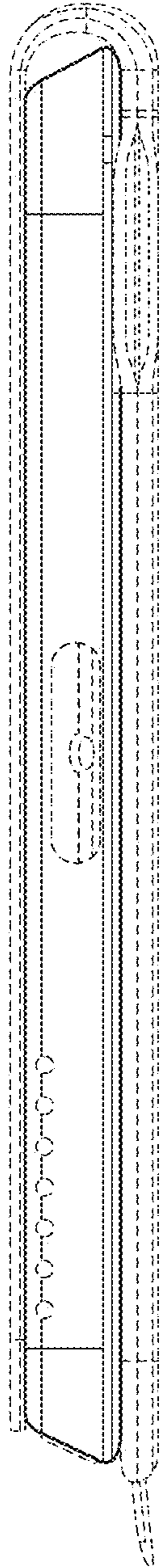


FIG. 7

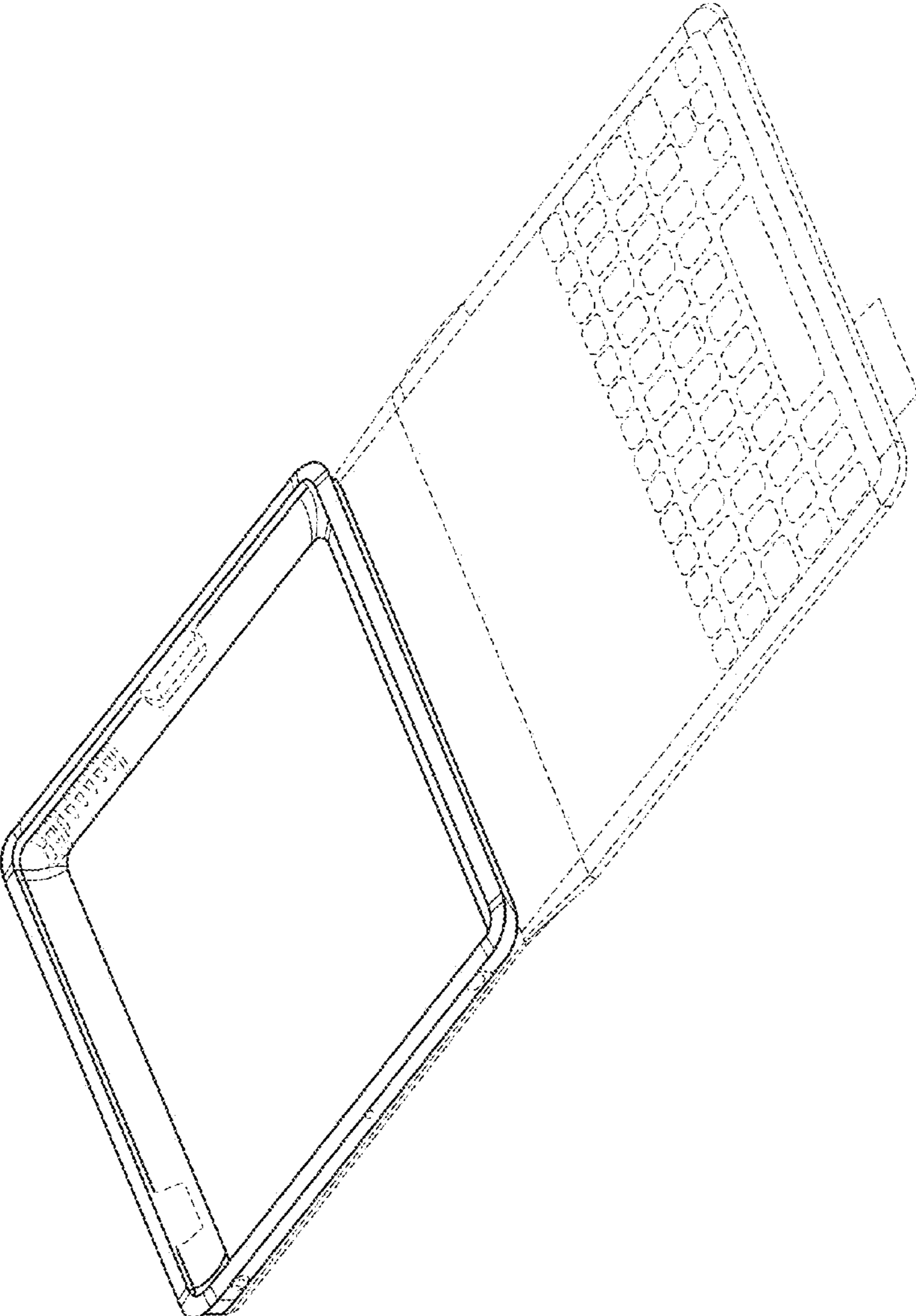


FIG. 8

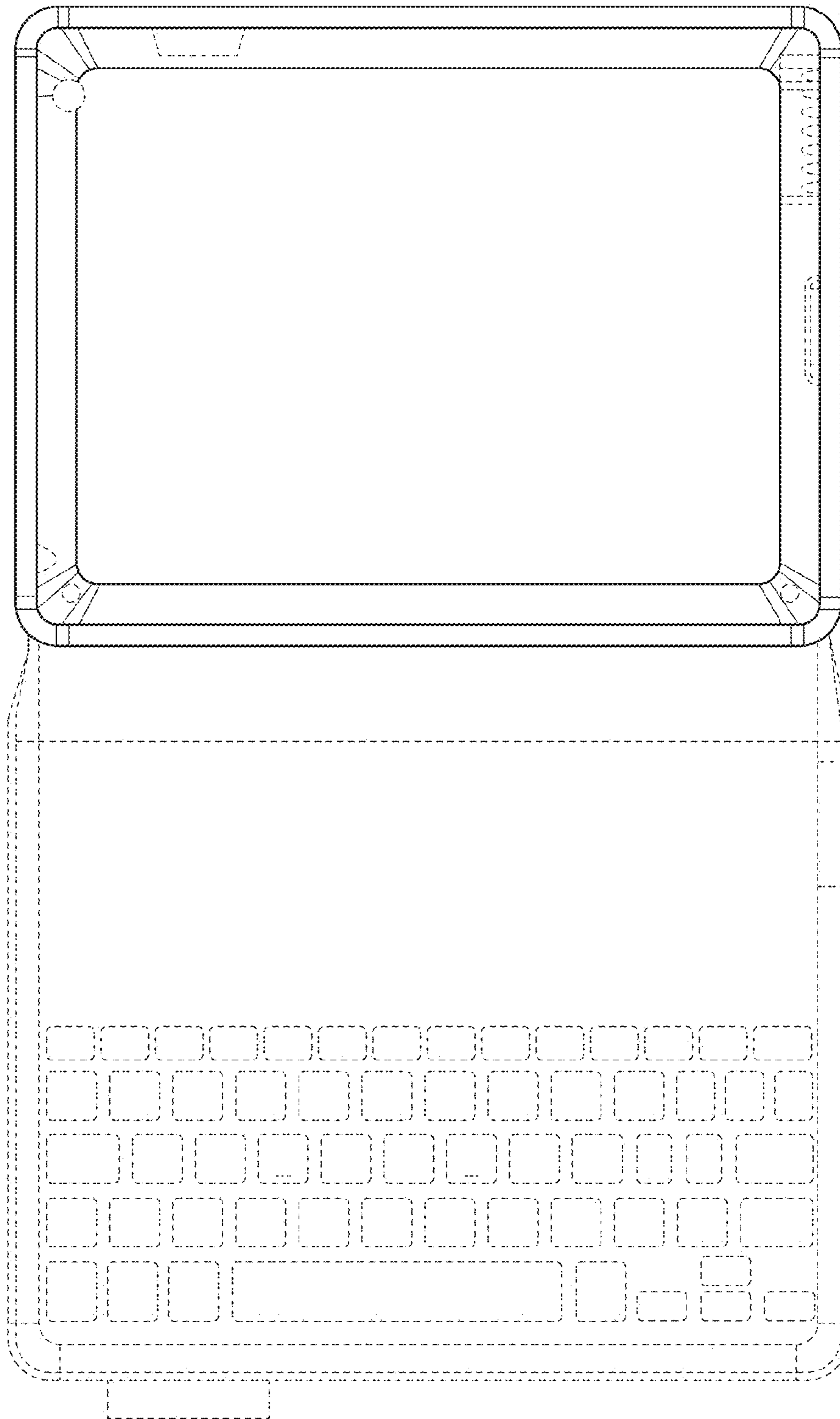


FIG. 9

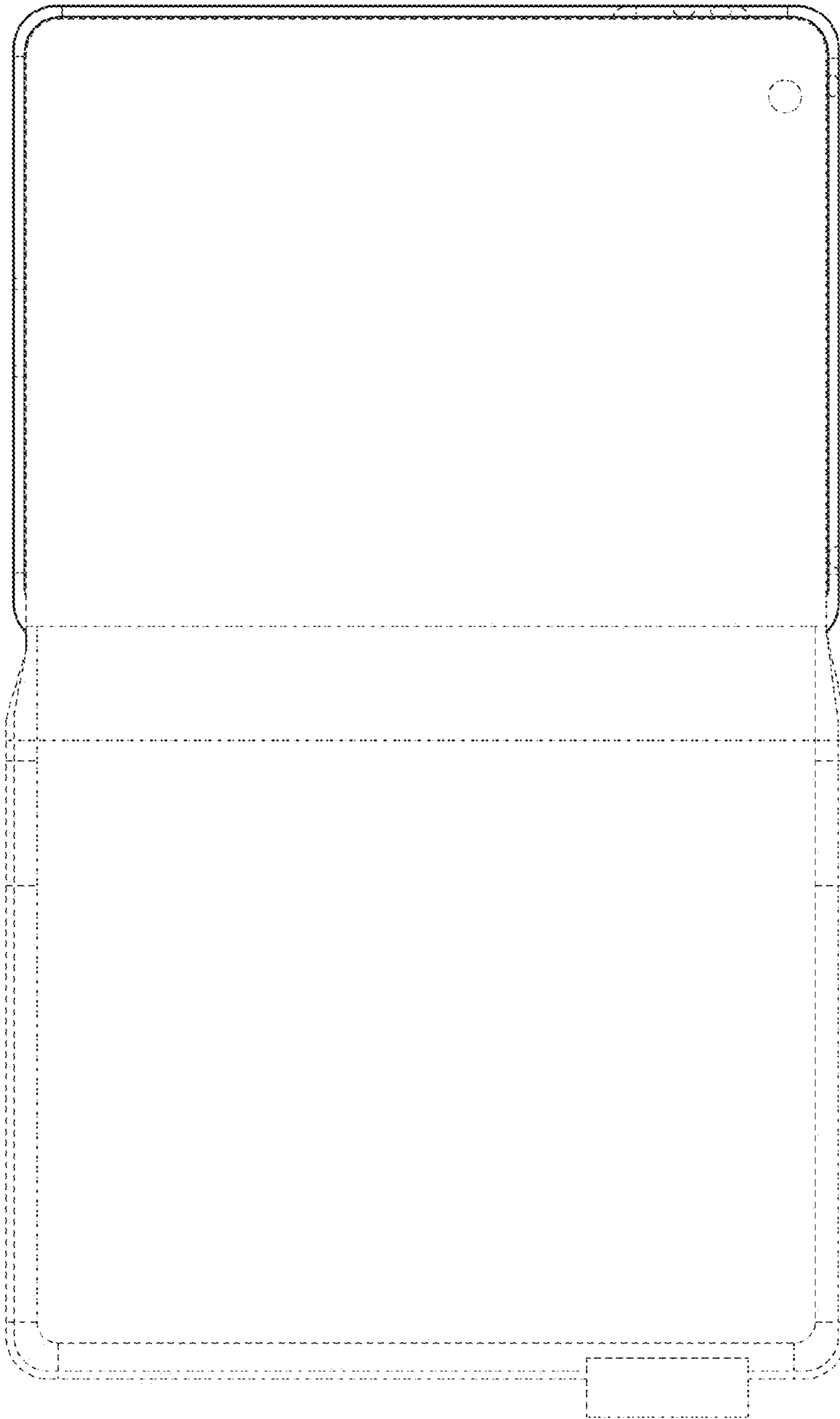


FIG. 10



FIG. 11



FIG. 12

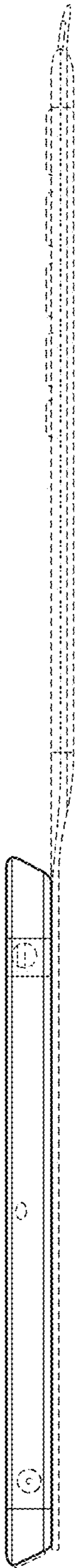


FIG. 13



FIG. 14