



US00D732539S

(12) **United States Design Patent**  
**Akana et al.**

(10) **Patent No.:** **US D732,539 S**  
(45) **Date of Patent:** **\*\* Jun. 23, 2015**

(54) **ENCLOSURE FOR COMMUNICATIONS DEVICE**

D14/348, 302, 341, 441, 440, 451, 457, 448,  
D14/447, 445; D13/118, 177; 455/557;  
D8/349; 248/176.1, 346.03;  
361/679.02, 600; 174/354, 359

(75) Inventors: **Jody Akana**, San Francisco, CA (US);  
**Bartley K. Andre**, Menlo Park, CA (US);  
**Jeremy Bataillou**, San Francisco, CA (US);  
**Sawyer Isaac Cohen**, Sunnyvale, CA (US);  
**Daniel J. Coster**, San Francisco, CA (US);  
**Daniele De Iuliis**, San Francisco, CA (US);  
**M. Evans Hankey**, San Francisco, CA (US);  
**Julian Hoenig**, San Francisco, CA (US);  
**Richard P. Howarth**, San Francisco, CA (US);  
**Jonathan P. Ive**, San Francisco, CA (US);  
**Duncan Robert Kerr**, San Francisco, CA (US);  
**Shin Nishibori**, Kailua, HI (US);  
**David A. Pakula**, San Francisco, CA (US);  
**Matthew Dean Rohrbach**, San Francisco, CA (US);  
**Peter Russell-Clarke**, San Francisco, CA (US);  
**Ashutosh Y. Shukla**, Santa Clara, CA (US);  
**Christopher J. Stringer**, Woodside, CA (US);  
**Tang Yew Tan**, San Francisco, CA (US);  
**Eugene Antony Whang**, San Francisco, CA (US);  
**Michael Benjamin Wittenberg**, Sunnyvale, CA (US);  
**Charles B. Woodhull**, San Francisco, CA (US);  
**Rico Zorkendorfer**, San Francisco, CA (US)

CPC ..... H05K 5/03; H04M 1/026  
See application file for complete search history.

(56) **References Cited**

U.S. PATENT DOCUMENTS

D659,132 S *	5/2012	Wen	.....	D14/250
D677,664 S *	3/2013	Akana et al.	.....	D14/439
D677,666 S *	3/2013	Akana et al.	.....	D14/439
D678,262 S *	3/2013	Prato	.....	D14/250
D678,290 S *	3/2013	Smith et al.	.....	D14/440
D691,133 S *	10/2013	Akana et al.	.....	D14/341

(Continued)

*Primary Examiner* — Robert M Spear

*Assistant Examiner* — Kendra L Hamilton

(74) *Attorney, Agent, or Firm* — Sterne, Kessler, Goldstein & Fox P.L.L.C.

(57) **CLAIM**

The ornamental design for an enclosure for communications device, as shown and described.

**DESCRIPTION**

FIG. 1 is a rear perspective view of an enclosure for communications device showing our new design; FIG. 2 is a front perspective view thereof; FIG. 3 is a front view thereof; FIG. 4 is a rear view thereof; FIG. 5 is a top view thereof; FIG. 6 is a bottom view thereof; FIG. 7 is left side view thereof; and, FIG. 8 is a right side view thereof. The lines in the Figures which bisect the center of the side surfaces of the component in all views are shade lines and are not boundary lines or surface ornamentation. They may be removed from the drawings without departing from the original disclosure.

(73) Assignee: **Apple Inc.**, Cupertino, CA (US)

(\*\*) Term: **14 Years**

(21) Appl. No.: **29/423,181**

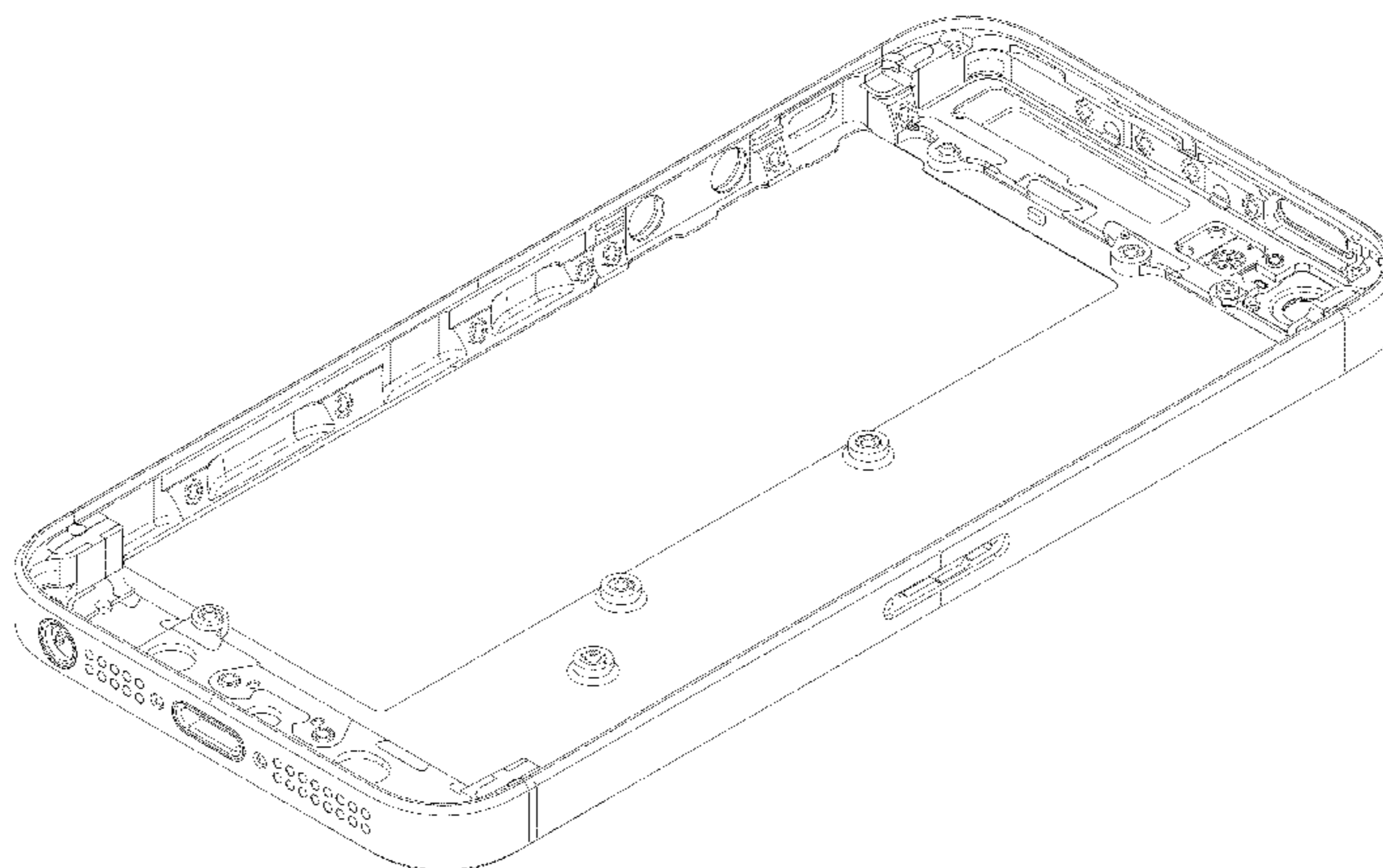
(22) Filed: **May 29, 2012**

(51) **LOC (10) Cl.** ..... **14-04**

(52) **U.S. Cl.**  
USPC ..... **D14/439**

(58) **Field of Classification Search**  
USPC ..... D14/432, 433, 253, 251, 439, 446, 300,

**1 Claim, 6 Drawing Sheets**



# US D732,539 S

Page 2

---

(56)

## References Cited

### U.S. PATENT DOCUMENTS

D697,918 S \* 1/2014 Akana et al. .... D14/439  
D714,294 S \* 9/2014 Dinh et al. .... D14/439  
D718,753 S \* 12/2014 Akana et al. .... D14/248

2009/0194660 A1\* 8/2009 Wu ..... 248/346.03  
2012/0018325 A1\* 1/2012 Kim ..... 206/320  
2012/0175165 A1\* 7/2012 Merz et al. .... 174/520  
2013/0321237 A1\* 12/2013 Woodhull et al. .... 343/872

\* cited by examiner

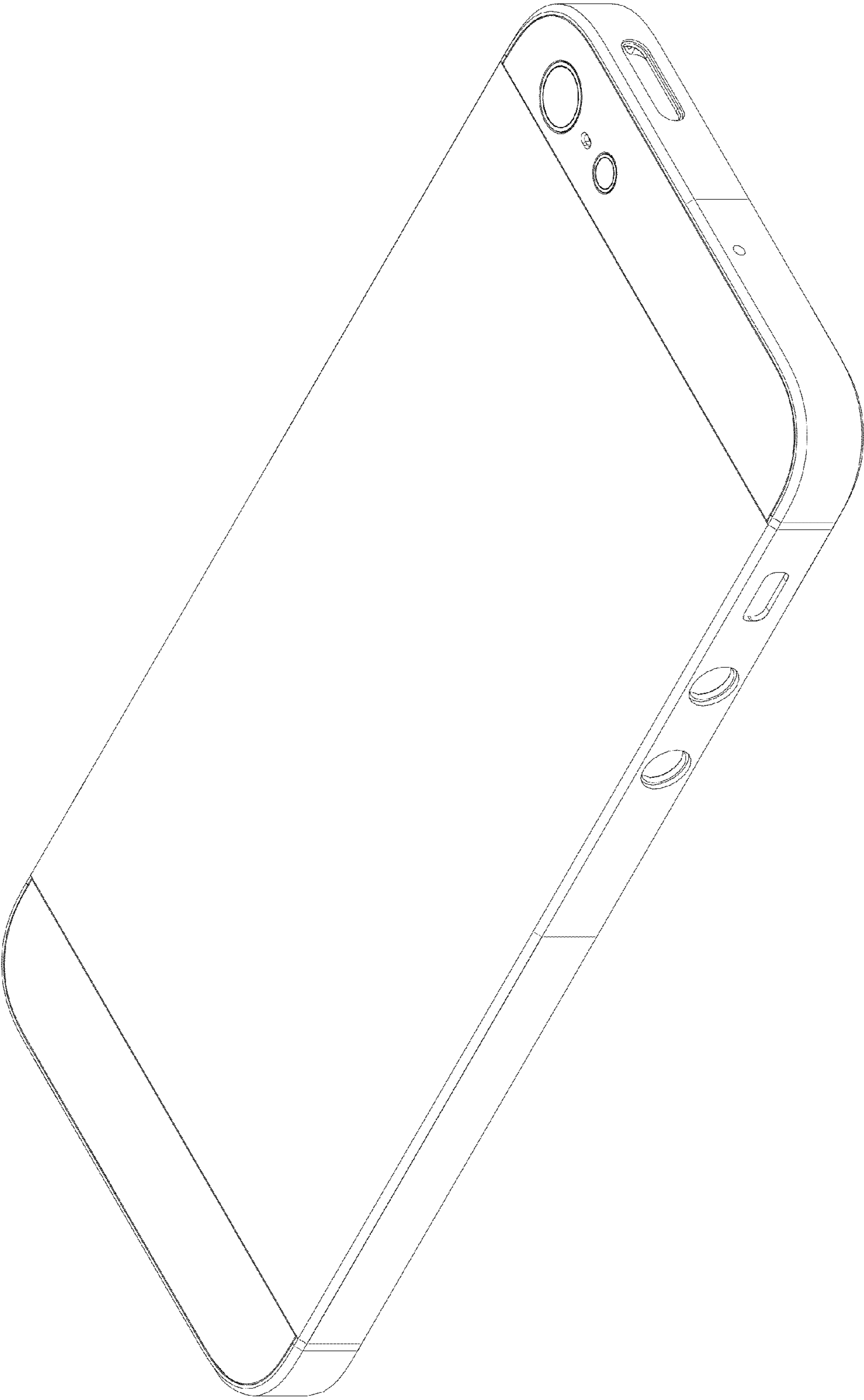


FIG. 1

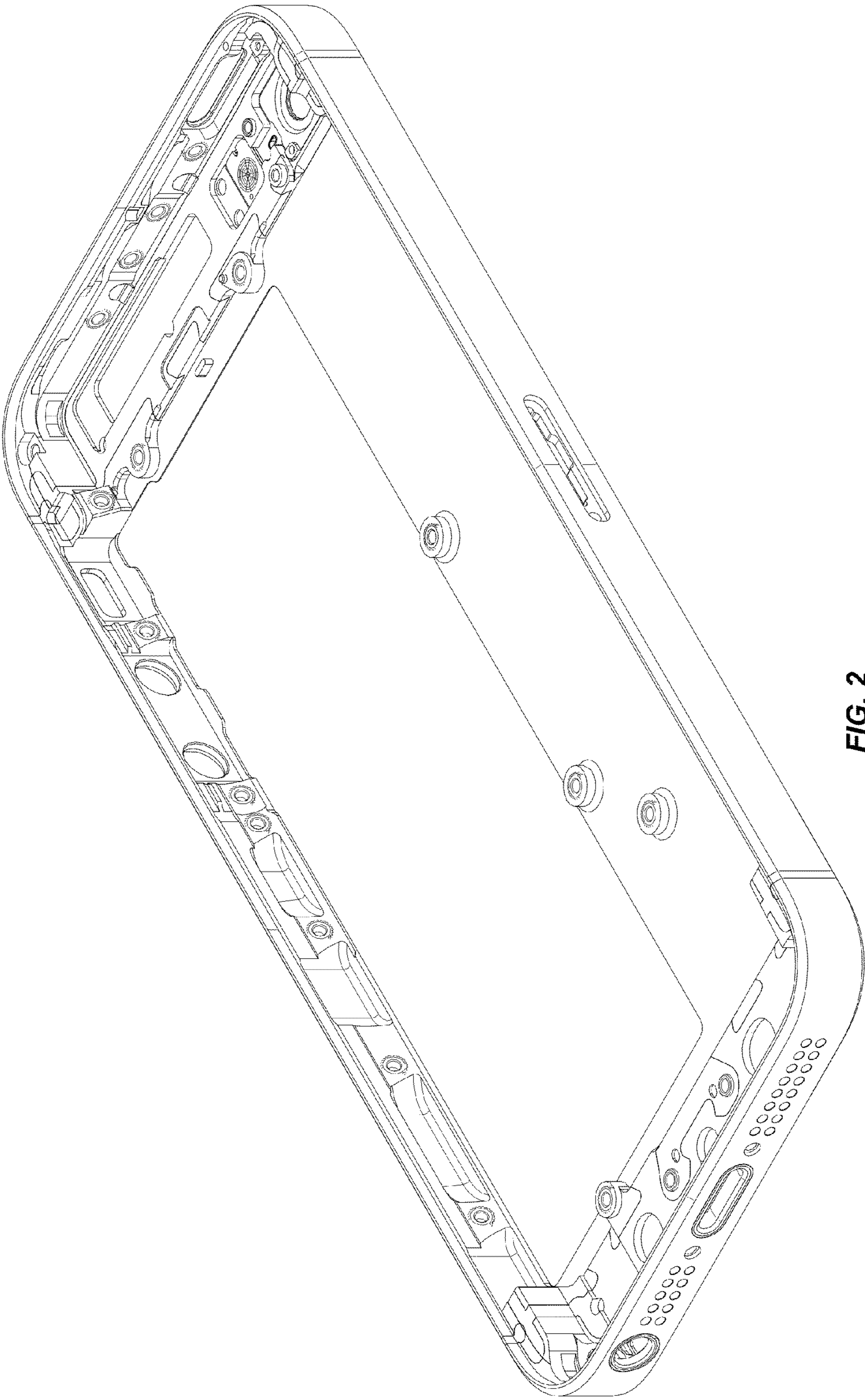
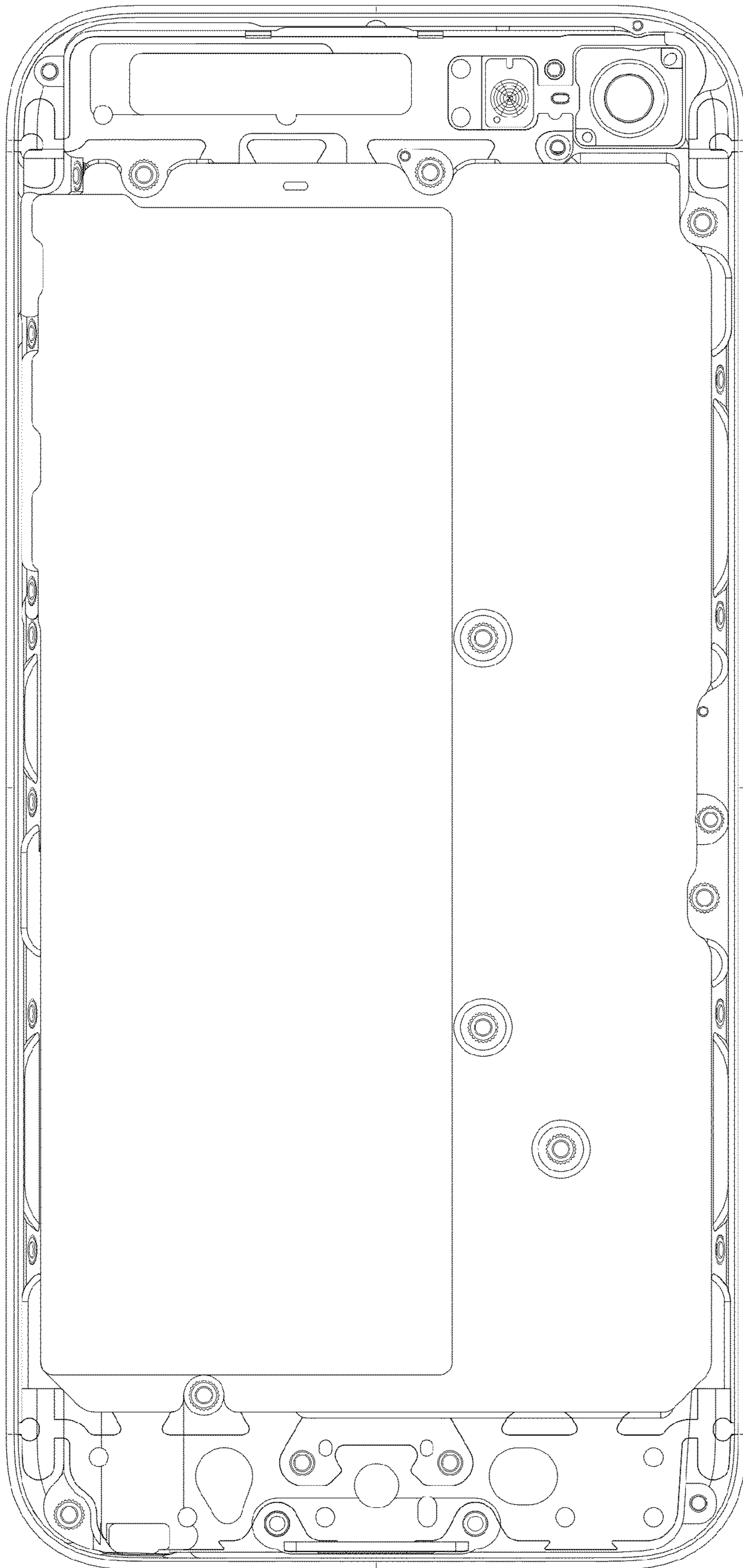
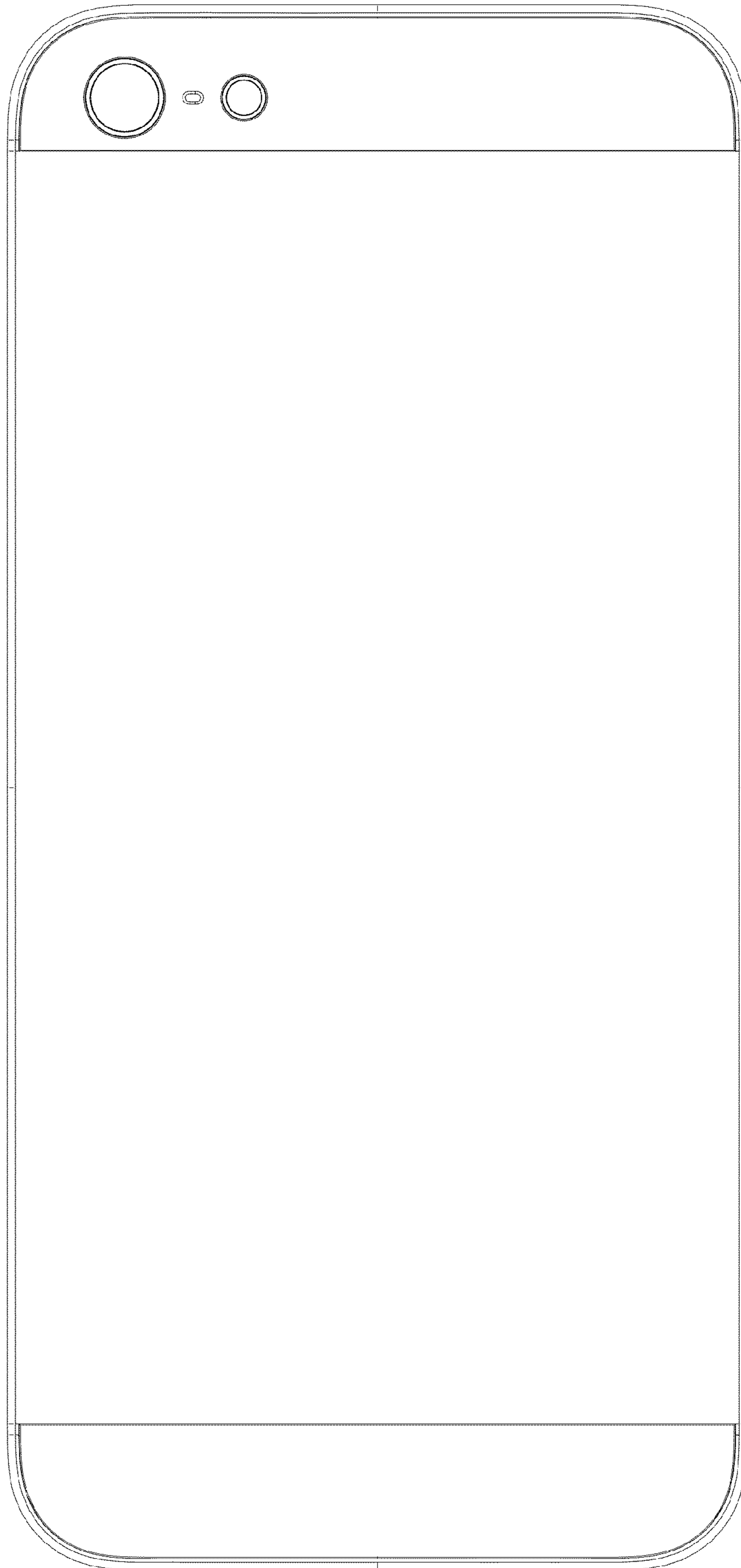


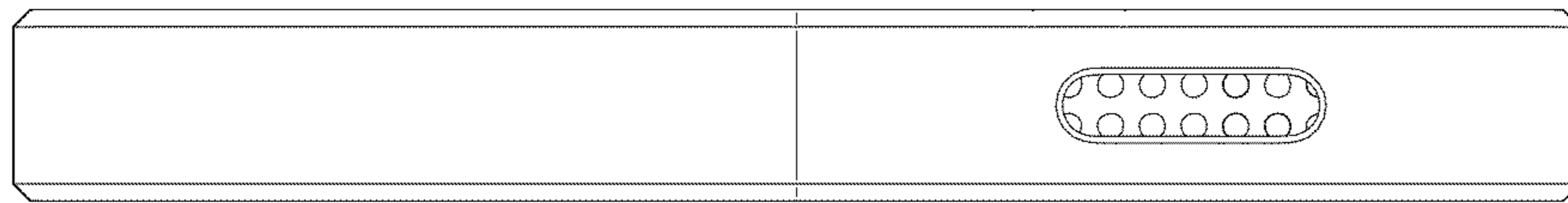
FIG. 2



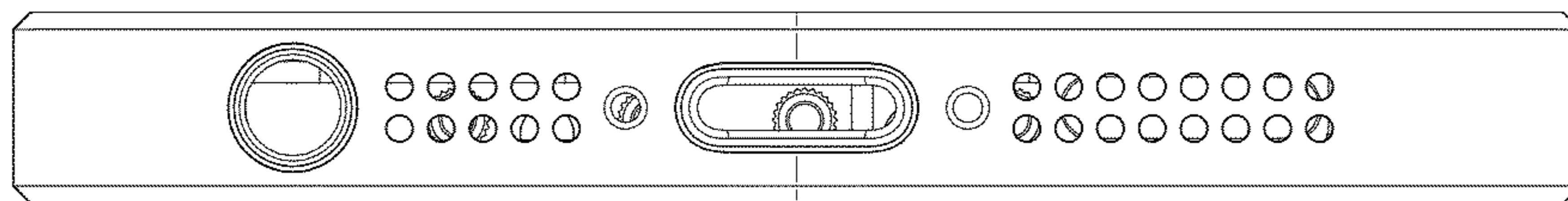
**FIG. 3**



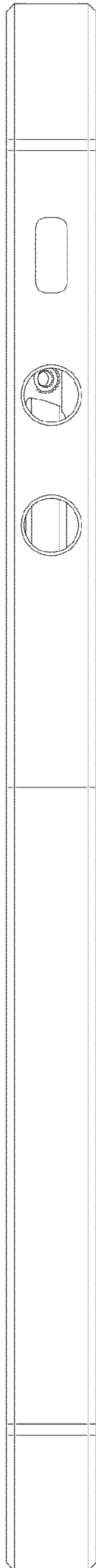
**FIG. 4**



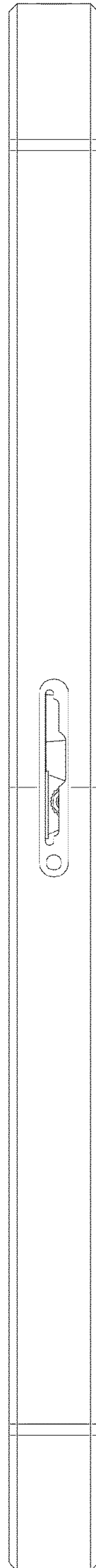
**FIG. 5**



**FIG. 6**



**FIG. 7**



**FIG. 8**