



US00D732535S

(12) **United States Design Patent**  
**Binner**

(10) **Patent No.:** **US D732,535 S**  
(45) **Date of Patent:** **\*\* Jun. 23, 2015**

- (54) **INDUSTRIAL ENCLOSURE**
- (71) Applicant: **WAGO Verwaltungsgesellschaft mbH**,  
Minden (DE)
- (72) Inventor: **Lars Binner**, Melle (DE)
- (73) Assignee: **WAGO**  
**VERWALTUNGSGESELLSCHAFT**  
**MBH**, Minden (DE)
- (\*\*) Term: **14 Years**
- (21) Appl. No.: **29/440,307**
- (22) Filed: **Dec. 20, 2012**

- D481,018 S \* 10/2003 Frank et al. .... D14/312
- D481,384 S \* 10/2003 Alo ..... D14/301
- D483,766 S \* 12/2003 Mundt ..... D14/440
- D508,053 S \* 8/2005 Cox et al. .... D14/432
- D565,573 S \* 4/2008 Alo et al. .... D14/439
- 7,499,271 B2 \* 3/2009 Wagatsuma et al. .... 361/679.33
- D611,049 S \* 3/2010 Kramer et al. .... D14/432

\* cited by examiner

*Primary Examiner* — Austin Murphy

(74) *Attorney, Agent, or Firm* — Renner, Otto, Boissell & Sklar, LLP.

- (30) **Foreign Application Priority Data**  
Jun. 25, 2012 (EM) ..... 002063040
- (51) **LOC (10) Cl.** ..... **14-02**
- (52) **U.S. Cl.**  
USPC ..... **D14/432**
- (58) **Field of Classification Search**  
USPC ..... D14/300–302, 308–314, 328, 348, 349,  
D14/356–370, 432, 439–447, 465, 134;  
D13/123, 133, 146, 147, 154, 156, 158,  
D13/162, 173, 175, 177, 184, 110; 312/333,  
312/332.1, 223.1; 361/683–686, 725–727;  
439/372, 116, 157  
See application file for complete search history.

(56) **References Cited**  
U.S. PATENT DOCUMENTS

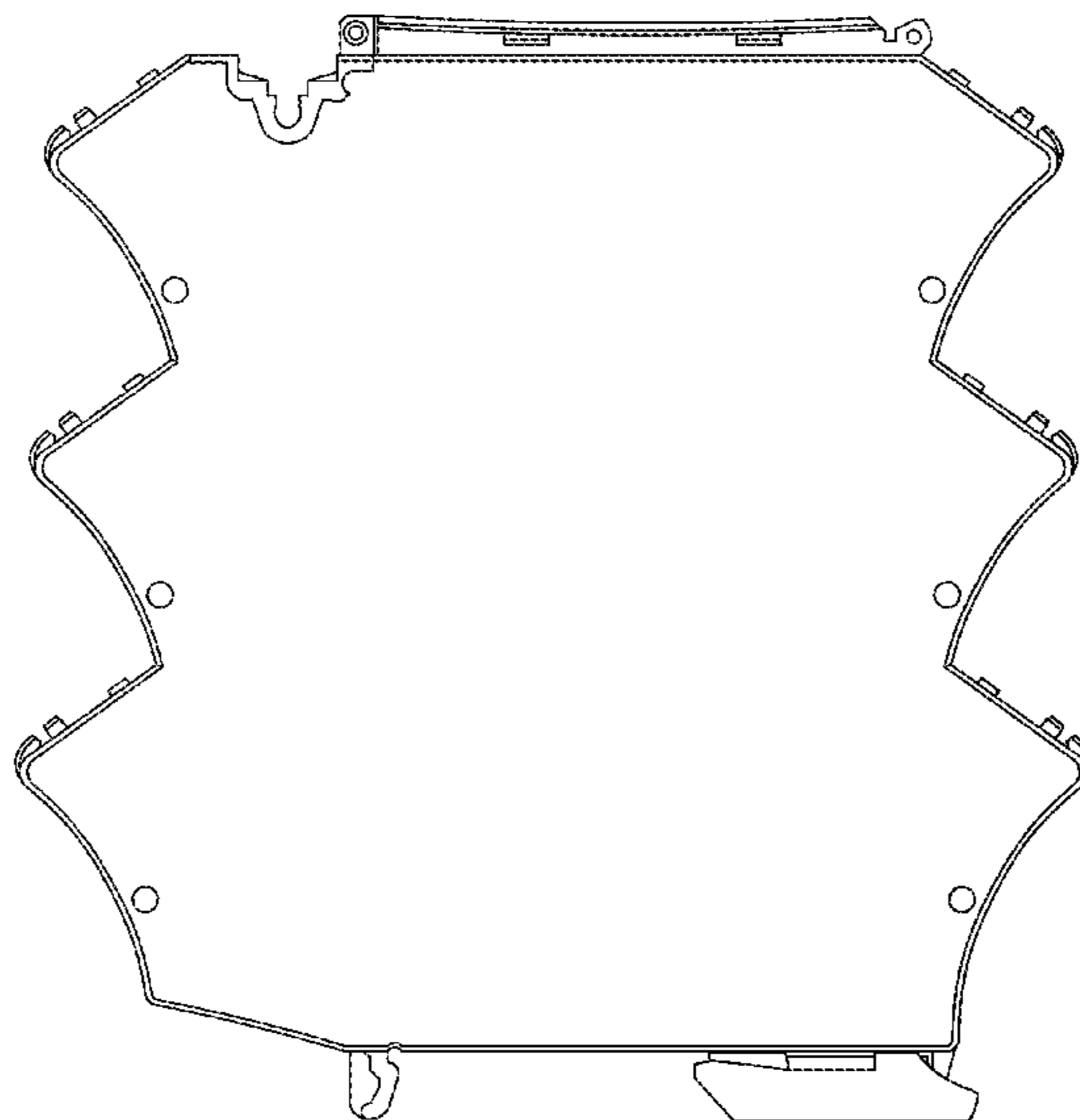
- D377,478 S \* 1/1997 Geck ..... D14/308
- 5,700,986 A \* 12/1997 Rurup et al. .... 200/50.32
- 5,716,241 A \* 2/1998 Hennemann et al. .... 439/716
- D399,191 S \* 10/1998 Corrington et al. .... D14/312
- 6,498,723 B1 \* 12/2002 Konshak et al. .... 361/679.34

(57) **CLAIM**  
The ornamental design for an industrial enclosure, as shown and described.

**DESCRIPTION**

FIG. 1 is a side view of an industrial enclosure showing my new design.  
 FIG. 2 is a bottom view thereof;  
 FIG. 3 is an opposite side view thereof;  
 FIG. 4 is a perspective view thereof;  
 FIG. 5 is a front view thereof;  
 FIG. 6 is a rear view thereof;  
 FIG. 7 is a top view thereof.  
 FIG. 8 is a side view of a second embodiment of industrial enclosure showing my design.  
 FIG. 9 is a bottom view thereof;  
 FIG. 10 is an opposite side view thereof;  
 FIG. 11 is a perspective view thereof;  
 FIG. 12 is a front view thereof;  
 FIG. 13 is a rear view thereof; and,  
 FIG. 14 is a top view thereof.  
 The broken line in the drawing view is included to show unclaimed environment only and forms no part of the claimed design.

**1 Claim, 14 Drawing Sheets**



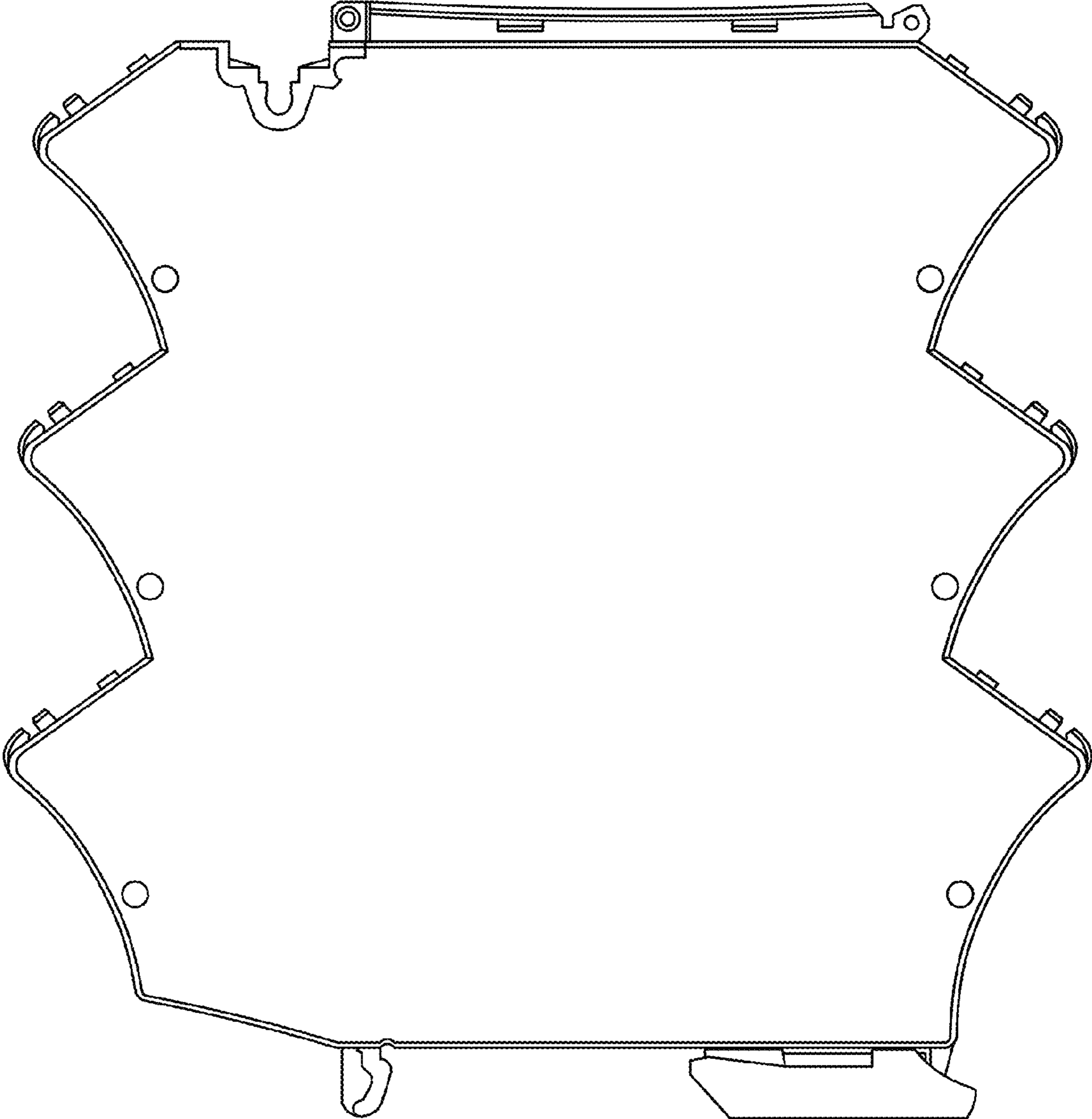


FIG. 1

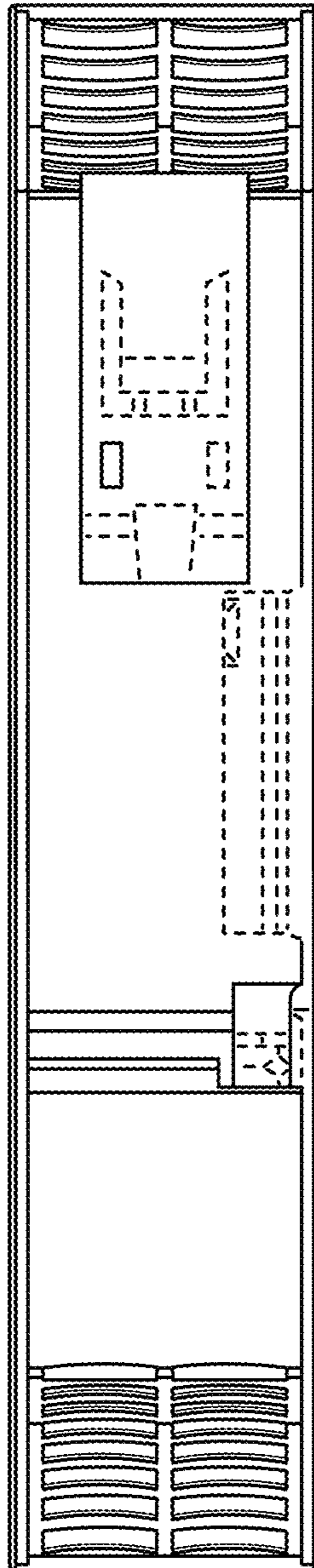


FIG. 2

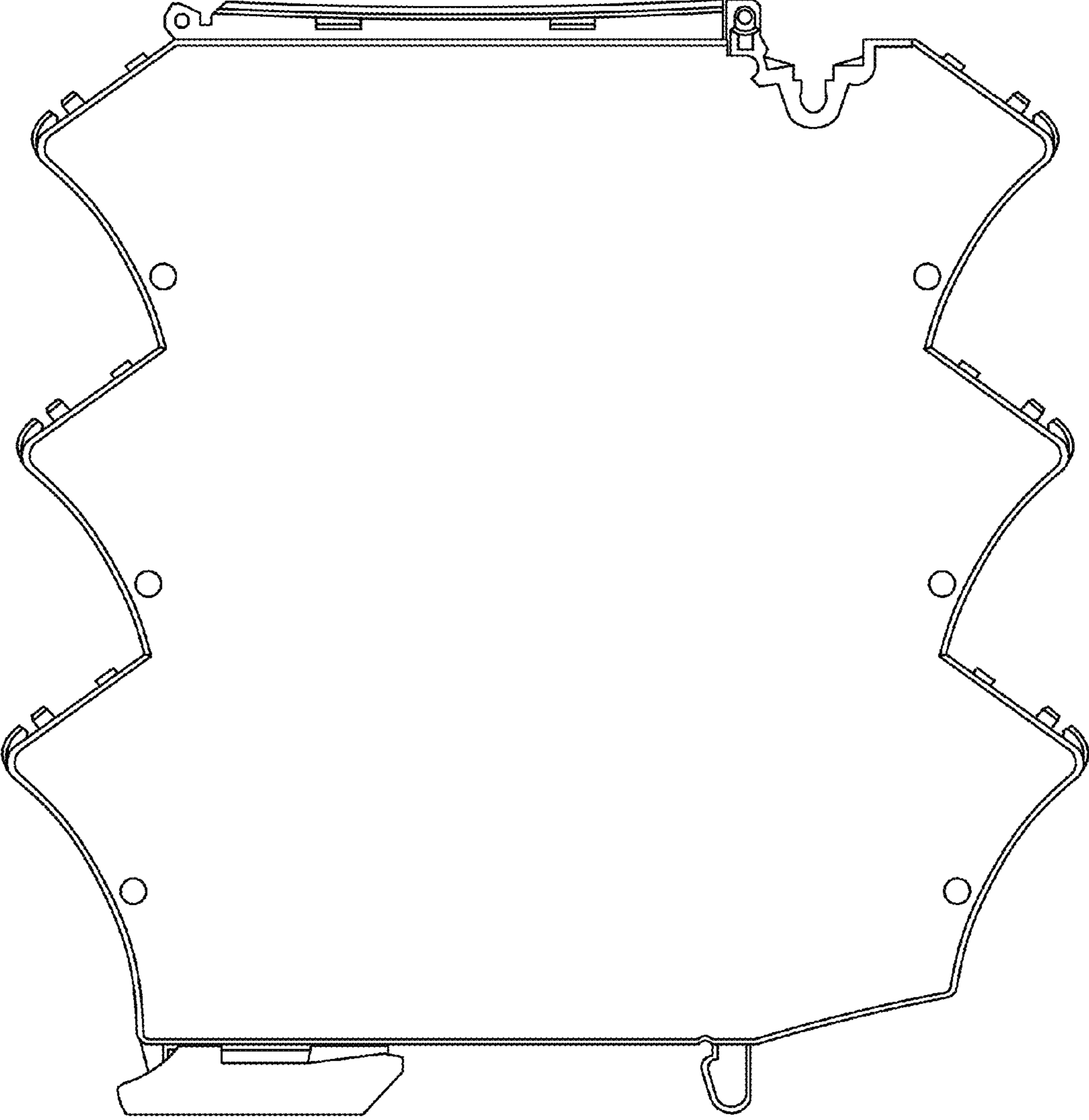


FIG. 3



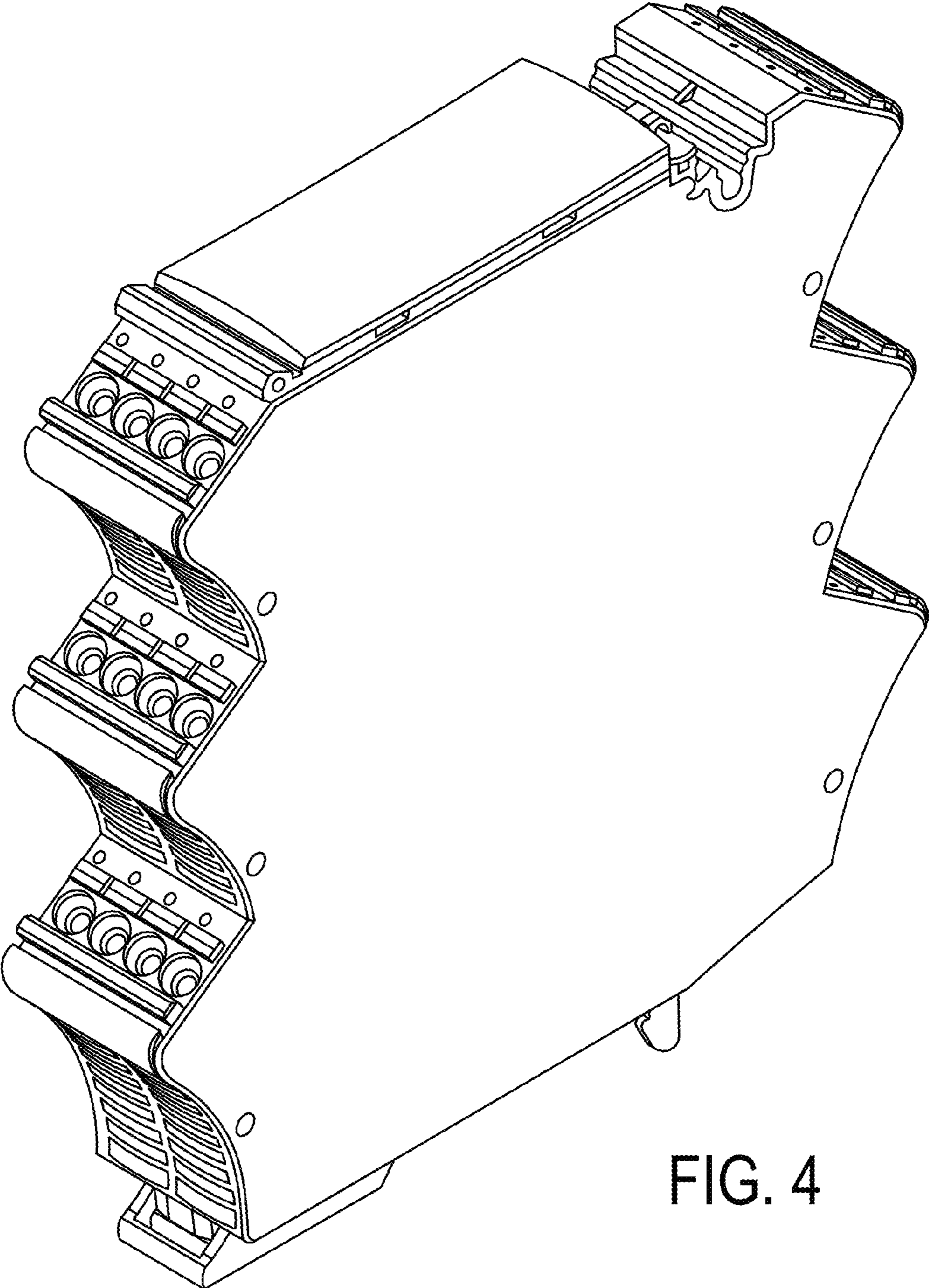


FIG. 4

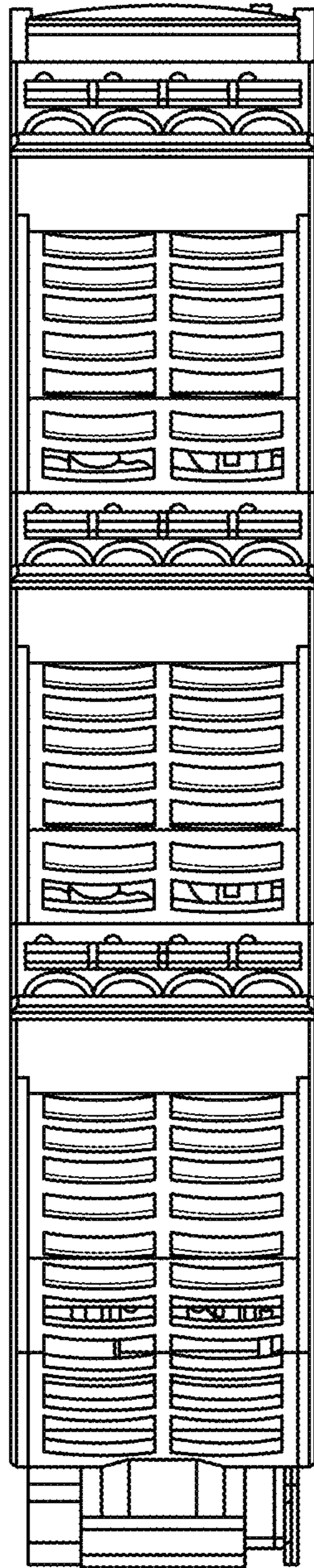


FIG. 5

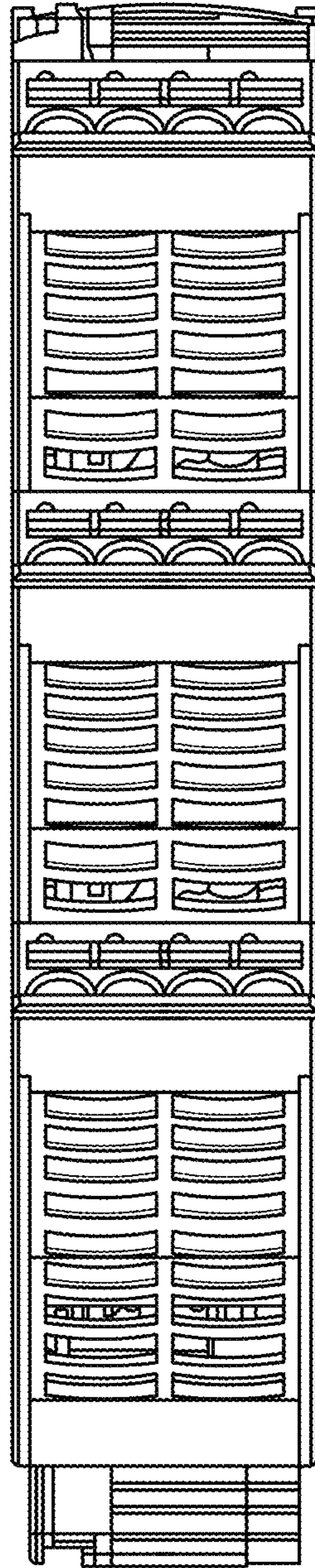


FIG. 6

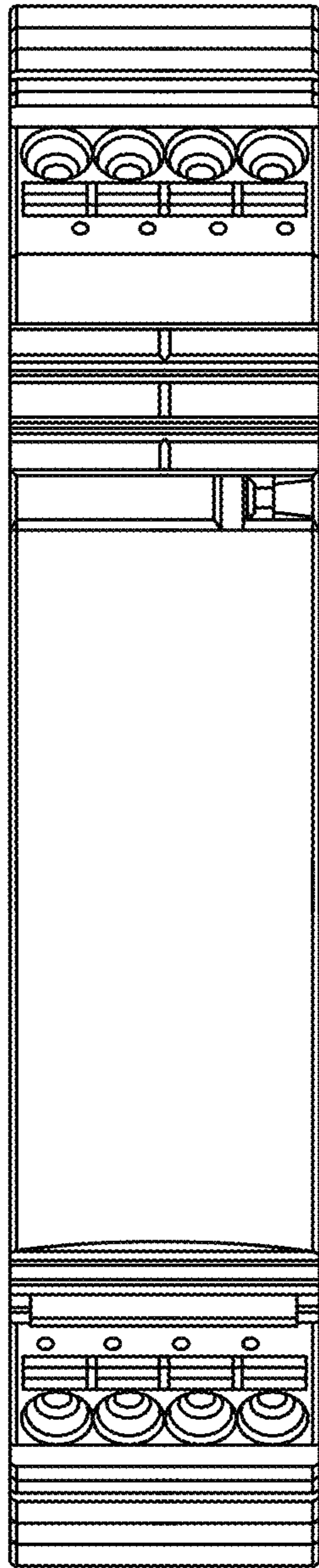


FIG. 7



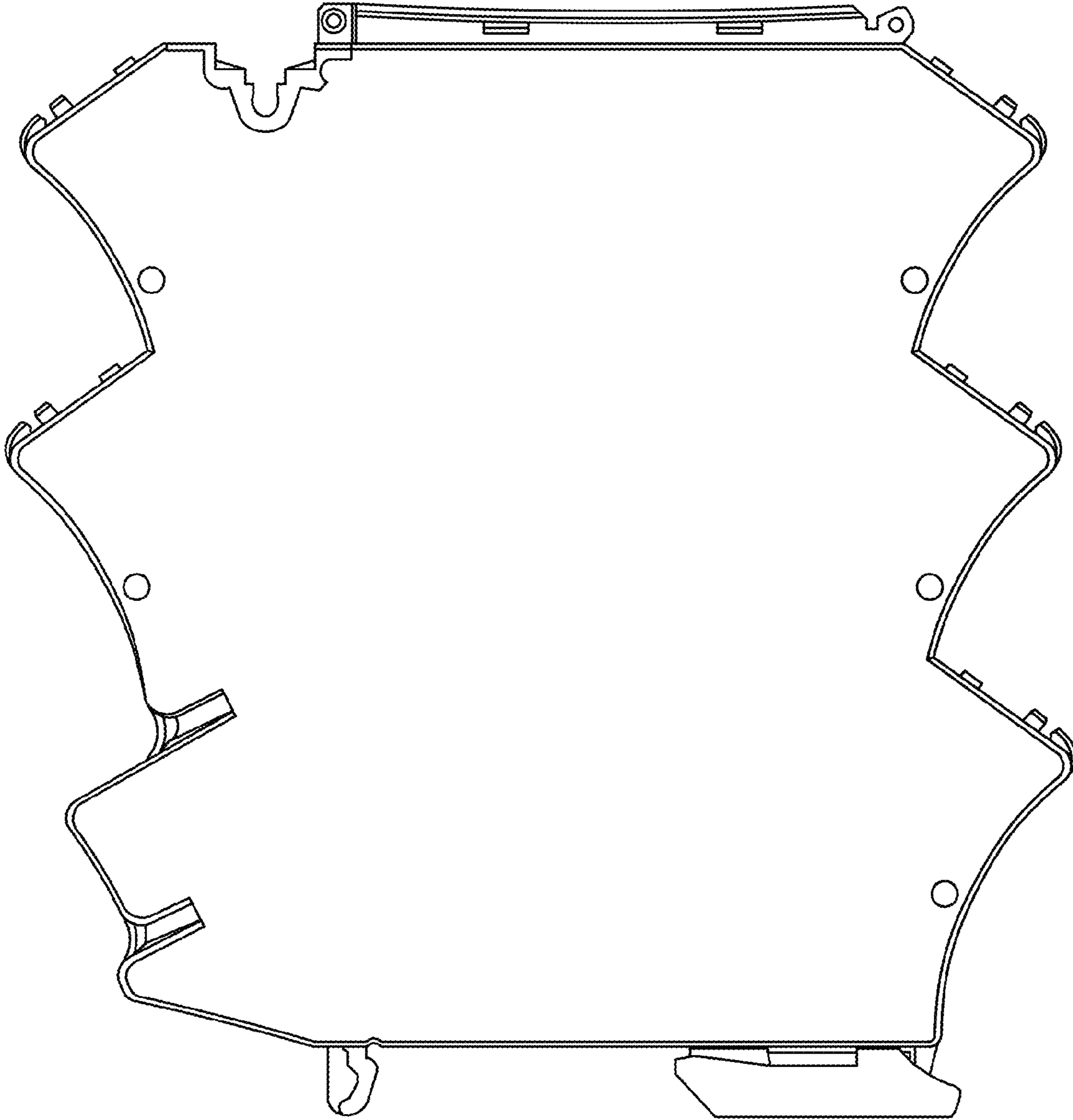


FIG. 8

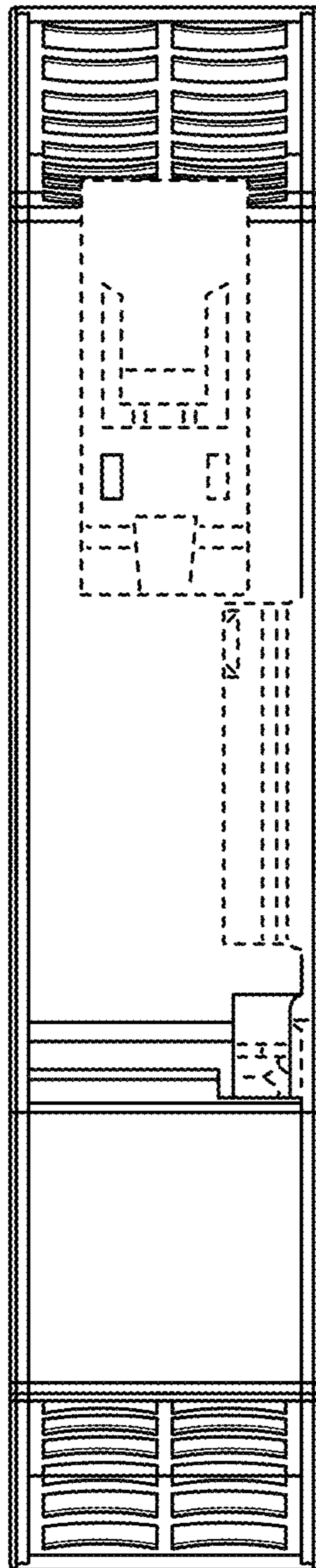


FIG. 9

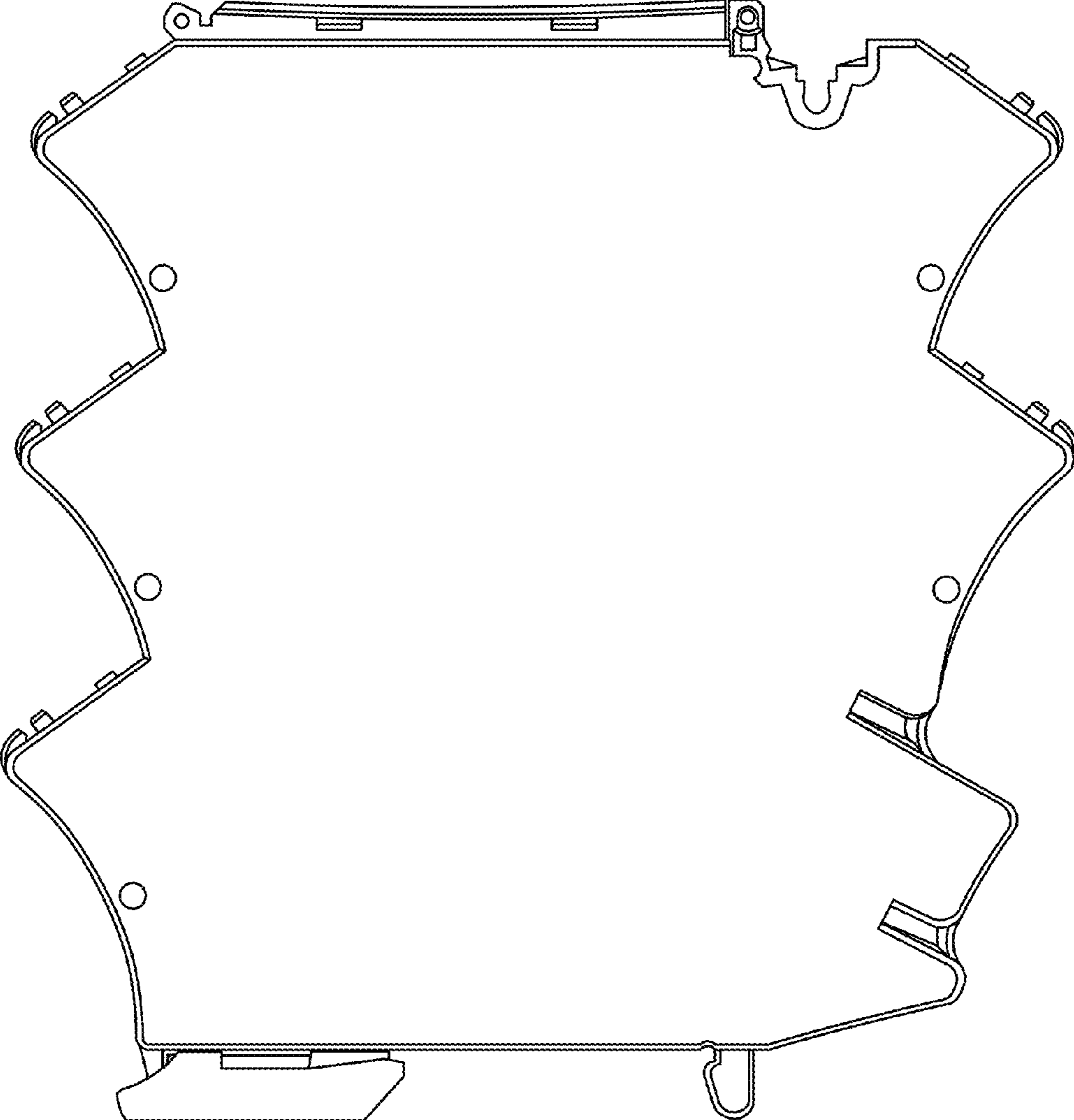


FIG. 10

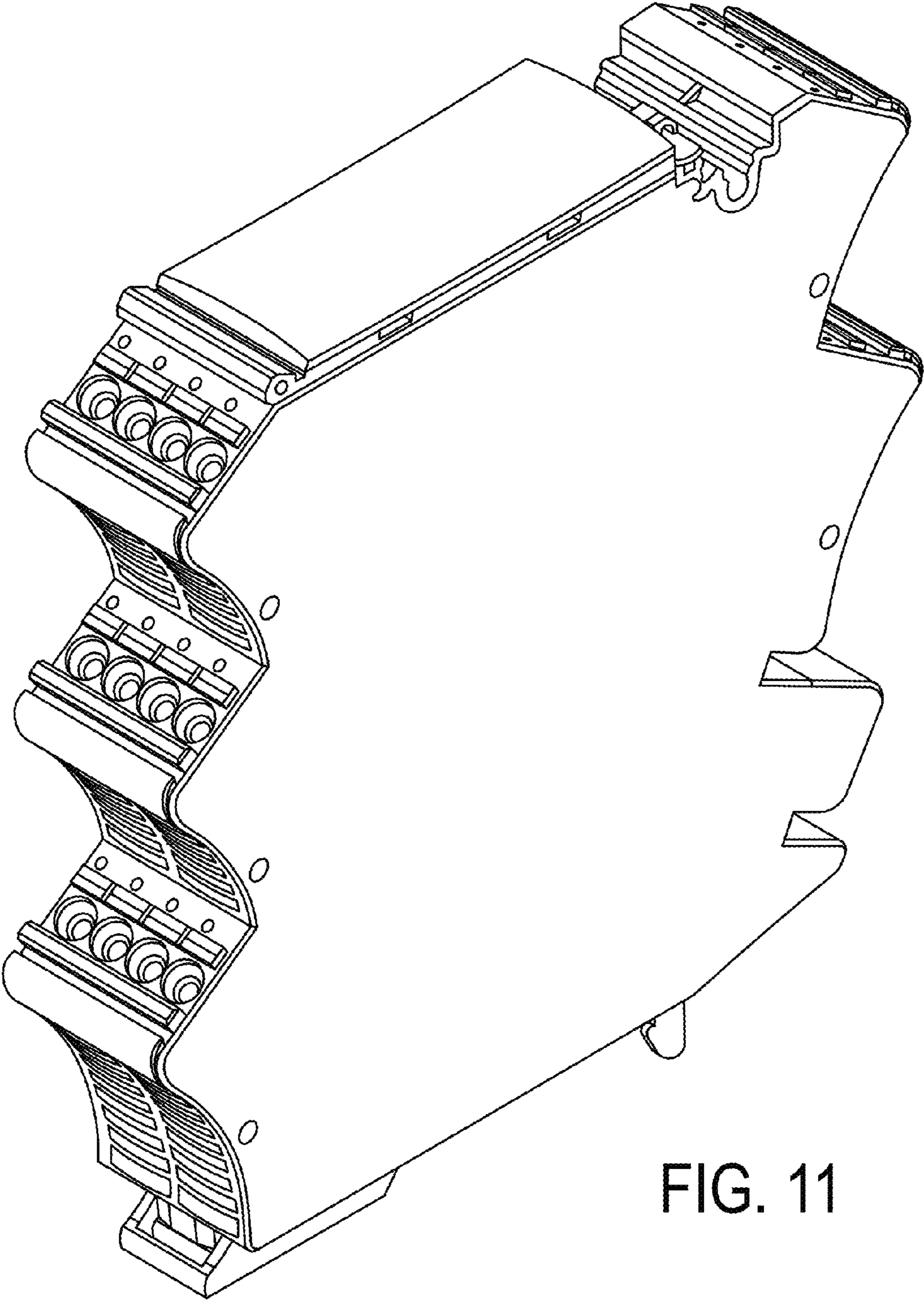


FIG. 11

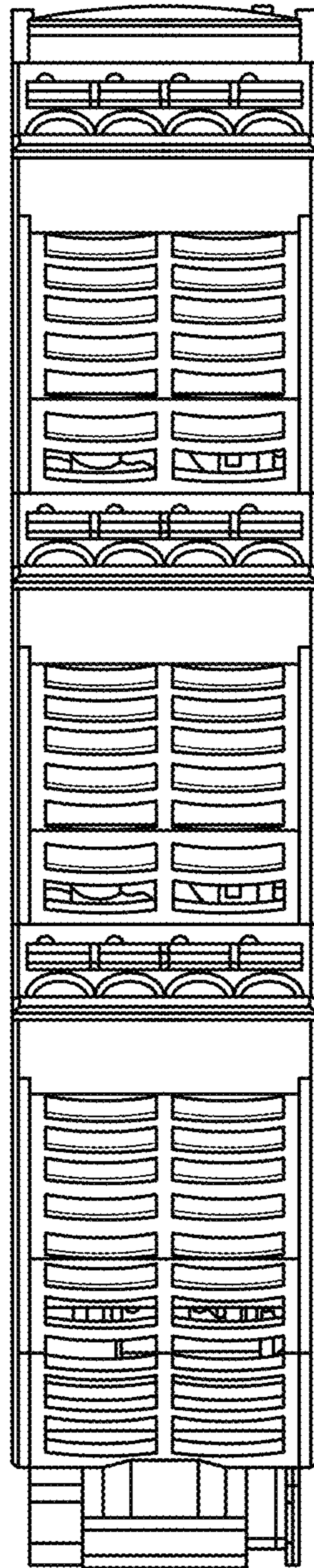


FIG. 12



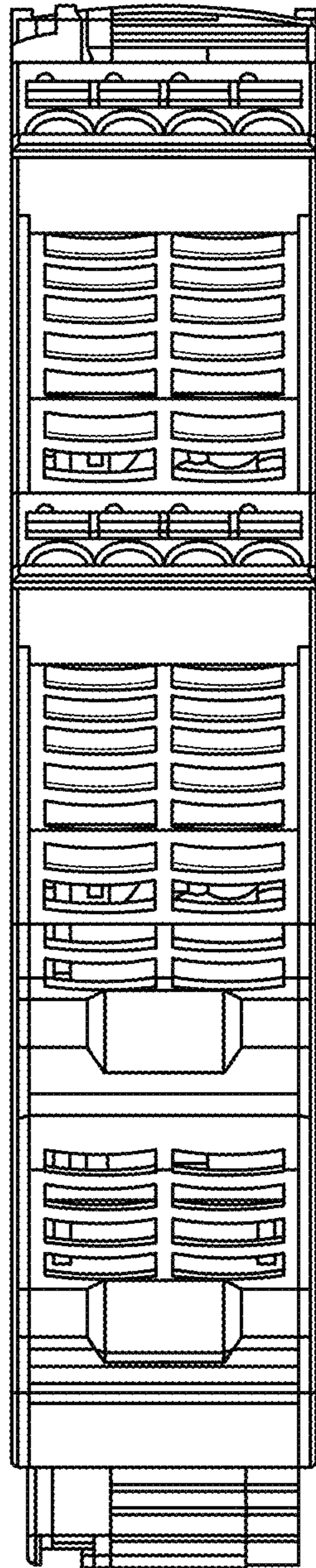


FIG. 13

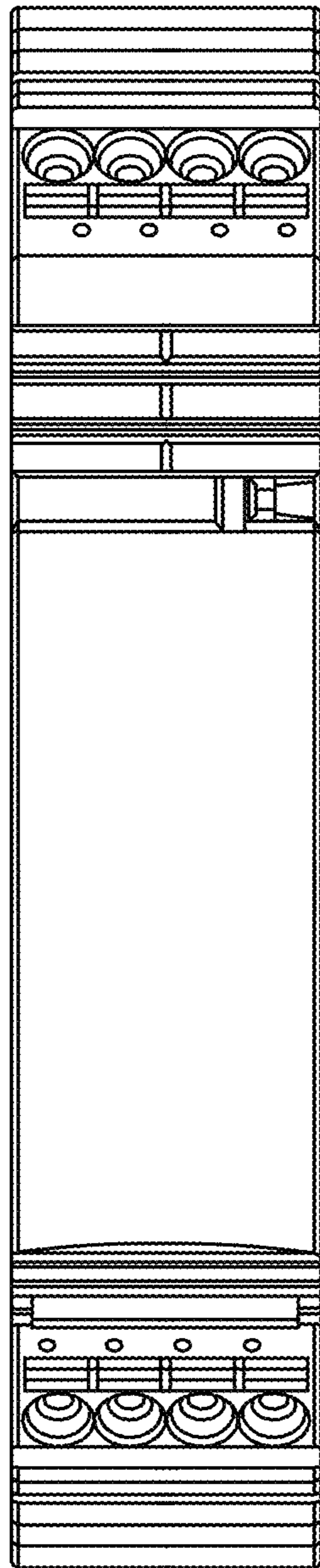


FIG. 14