



US00D732530S

(12) **United States Design Patent**
Hermansson et al.

(10) **Patent No.:** **US D732,530 S**
(45) **Date of Patent:** **** Jun. 23, 2015**

(54) **TRANSMITTER**

(71) Applicant: **SCA Hygiene Products AB**, Göteborg (SE)

(72) Inventors: **Sofia Hermansson**, Västra Frölunda (SE); **Sigun Bergstedt**, Göteborg (SE)

(73) Assignee: **SCA HYGIENE PRODUCTS AB**, Göteborg (SE)

(**) Term: **14 Years**

(21) Appl. No.: **29/483,883**

(22) Filed: **Mar. 4, 2014**

(51) **LOC (10) Cl.** **14-02**

(52) **U.S. Cl.**
USPC **D14/358**

(58) **Field of Classification Search**
USPC D14/358, 356, 125, 155, 188, 191, 240,
D14/314, 225, 496; D13/110, 184;
D10/104.1; 455/91, 95, 100, 128;
345/169

CPC H04B 1/034
See application file for complete search history.

(56) **References Cited**

U.S. PATENT DOCUMENTS

D265,989 S *	8/1982	Harris et al.	D13/184
4,491,970 A *	1/1985	LaWhite et al.	455/100
D280,896 S *	10/1985	Campbell et al.	D14/155
D297,518 S *	9/1988	Yuen	D10/106.1
D356,529 S *	3/1995	Ward et al.	D12/130
D402,641 S *	12/1998	Heijnen	D13/184

D445,789 S *	7/2001	Zmehrir	D14/356
D504,691 S *	5/2005	Ohno	D14/496
D513,240 S *	12/2005	Uehara	D14/125
D532,785 S *	11/2006	Lo et al.	D14/363
D535,281 S *	1/2007	Yang	D14/203.3
D542,288 S *	5/2007	Andre et al.	D14/314
D549,119 S *	8/2007	Becker	D10/104.1
D571,351 S *	6/2008	Sogabe	D14/168
D582,385 S *	12/2008	Sanguinetti	D14/188
D583,796 S *	12/2008	Tanaka	D14/155
D592,649 S *	5/2009	L'Henaff et al.	D14/240
D596,626 S *	7/2009	Andre et al.	D14/240
D609,701 S *	2/2010	Hou	D14/240
D641,327 S *	7/2011	Falakfarsa et al.	D14/125
D678,187 S *	3/2013	Huang	D13/103
D693,798 S *	11/2013	Chuang et al.	D14/240
D711,359 S *	8/2014	Marzynski et al.	D14/240

* cited by examiner

Primary Examiner — Paula Greene

(74) *Attorney, Agent, or Firm* — Buchanan Ingersoll & Rooney PC

(57) **CLAIM**

The ornamental design for a transmitter, as shown and described.

DESCRIPTION

FIG. 1 is a top perspective view of a transmitter showing my new design.

FIG. 2 is a front view thereof.

FIG. 3 is a back view thereof.

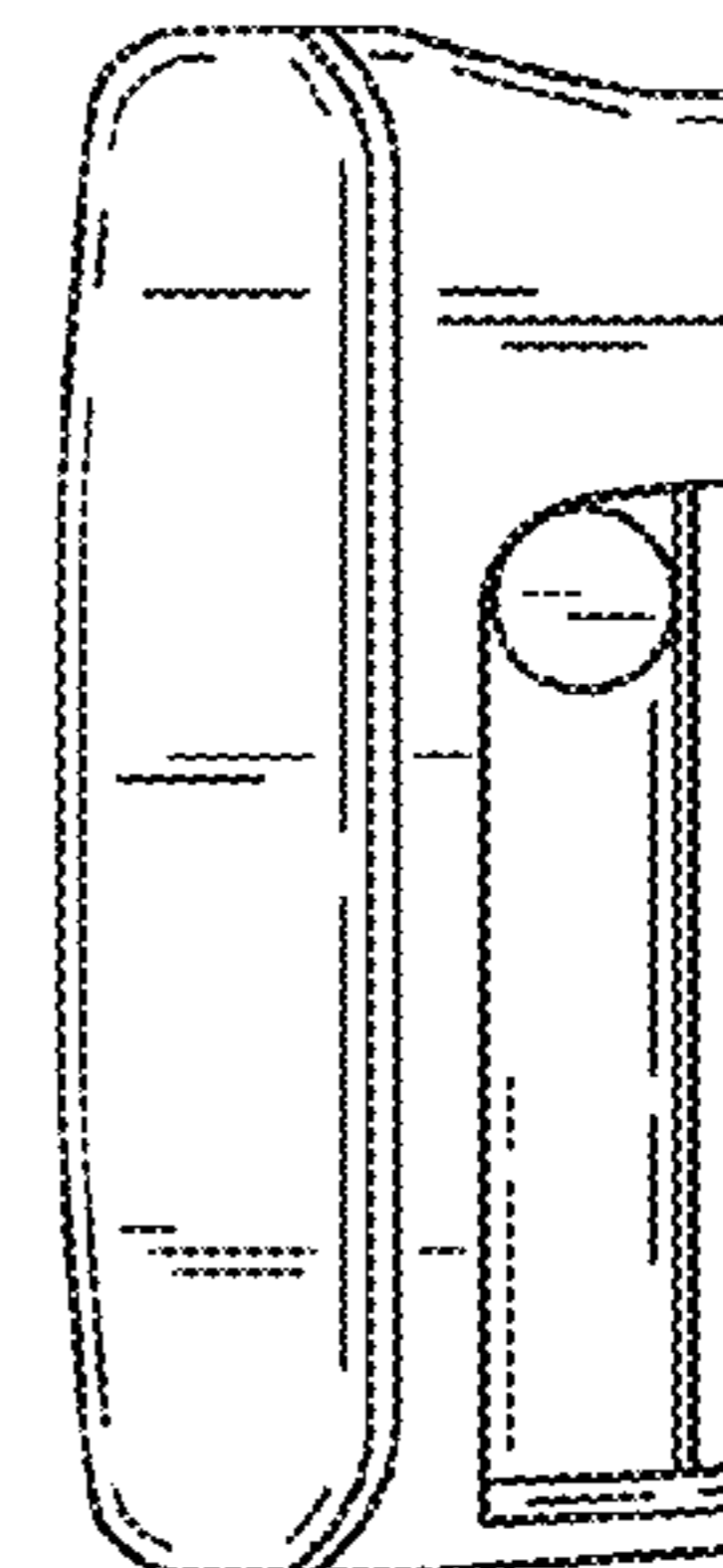
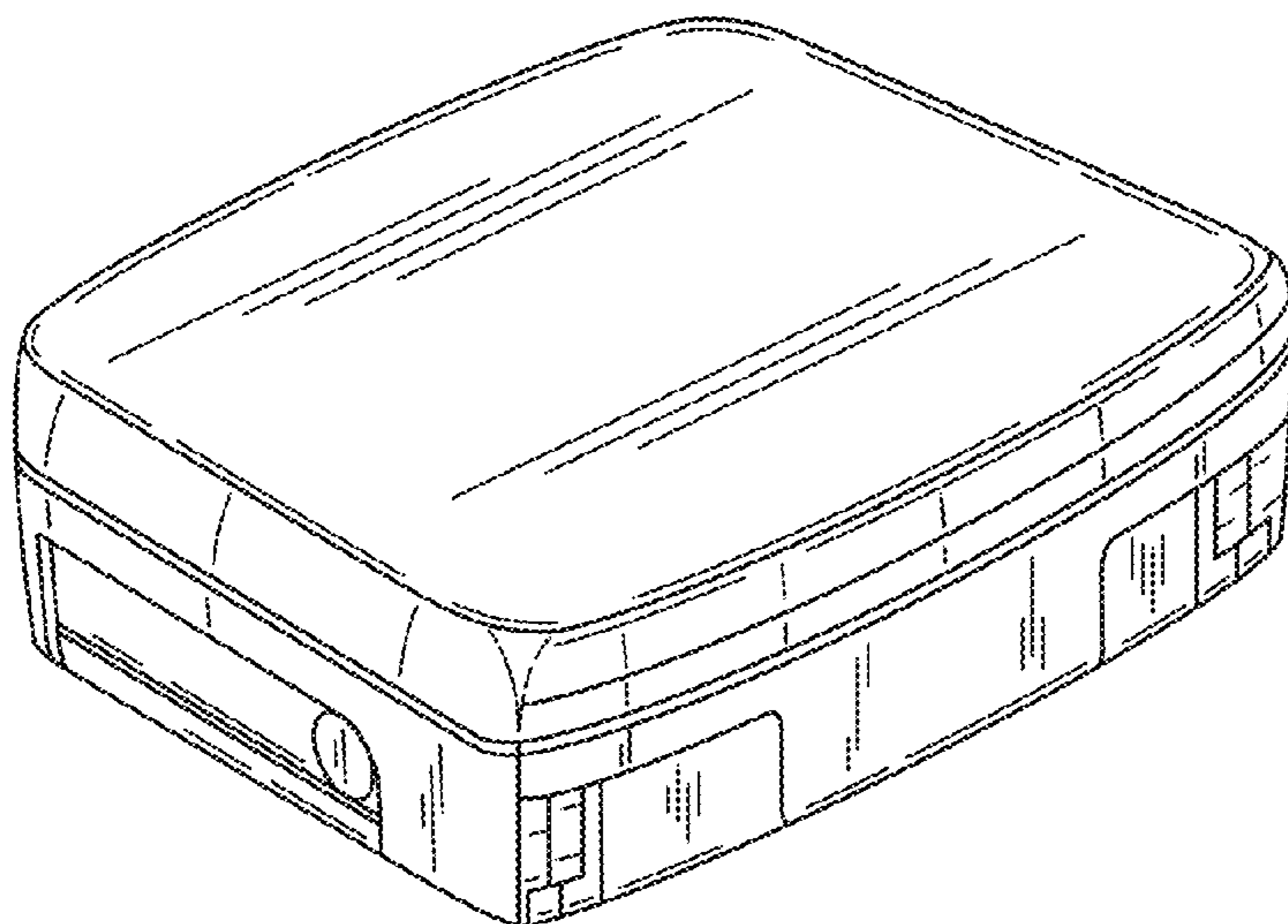
FIG. 4 is a right side view thereof.

FIG. 5 is a left side view thereof.

FIG. 6 is a top view thereof; and,

FIG. 7 is a bottom view thereof.

1 Claim, 3 Drawing Sheets



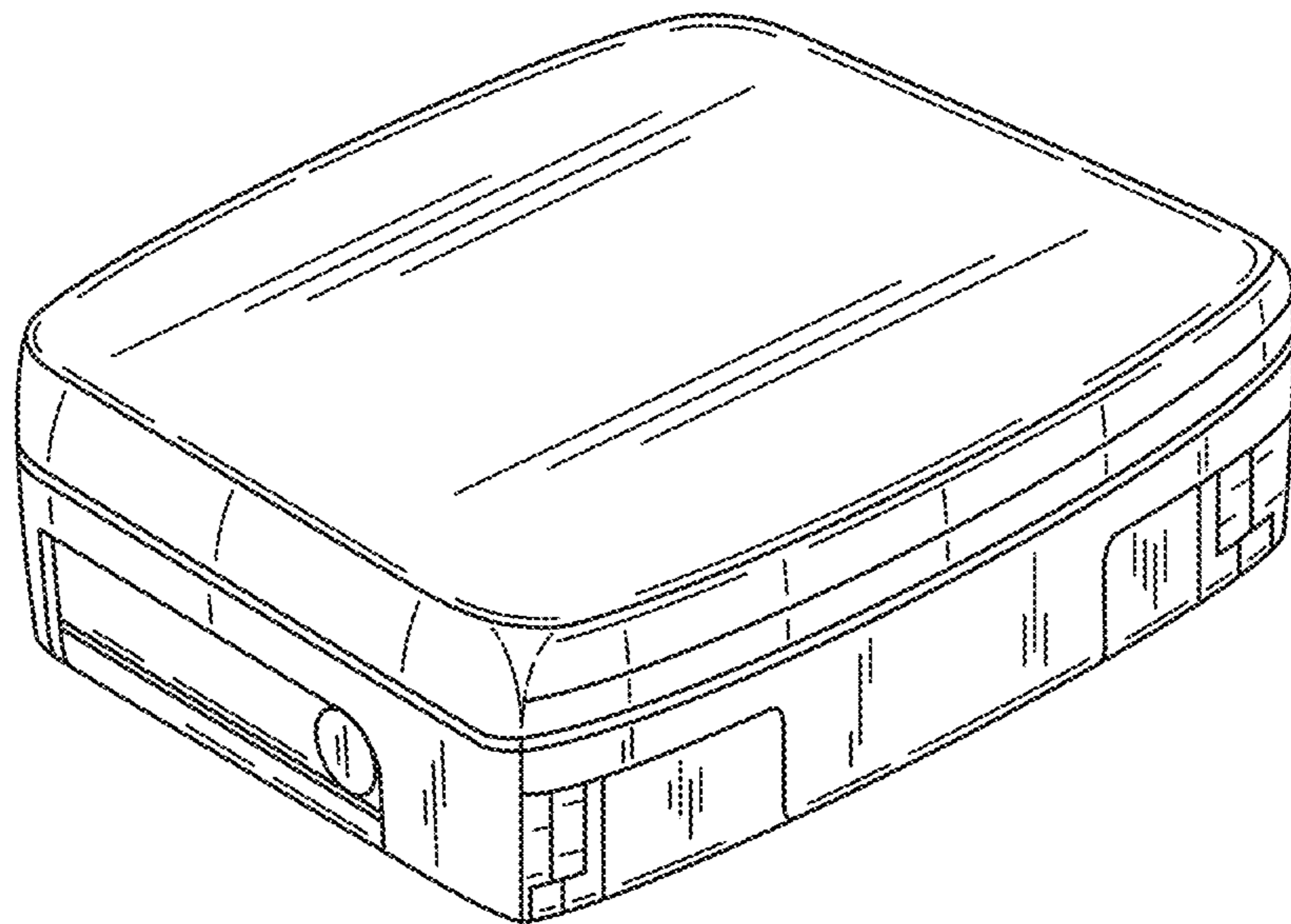


FIG. 1

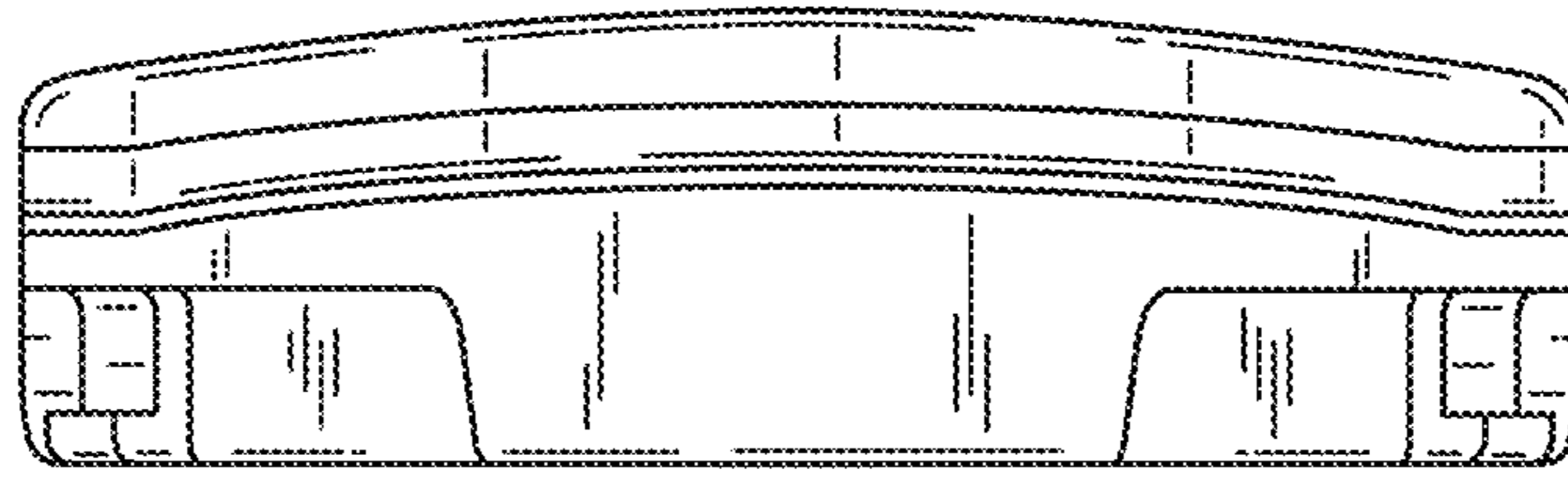


FIG. 2

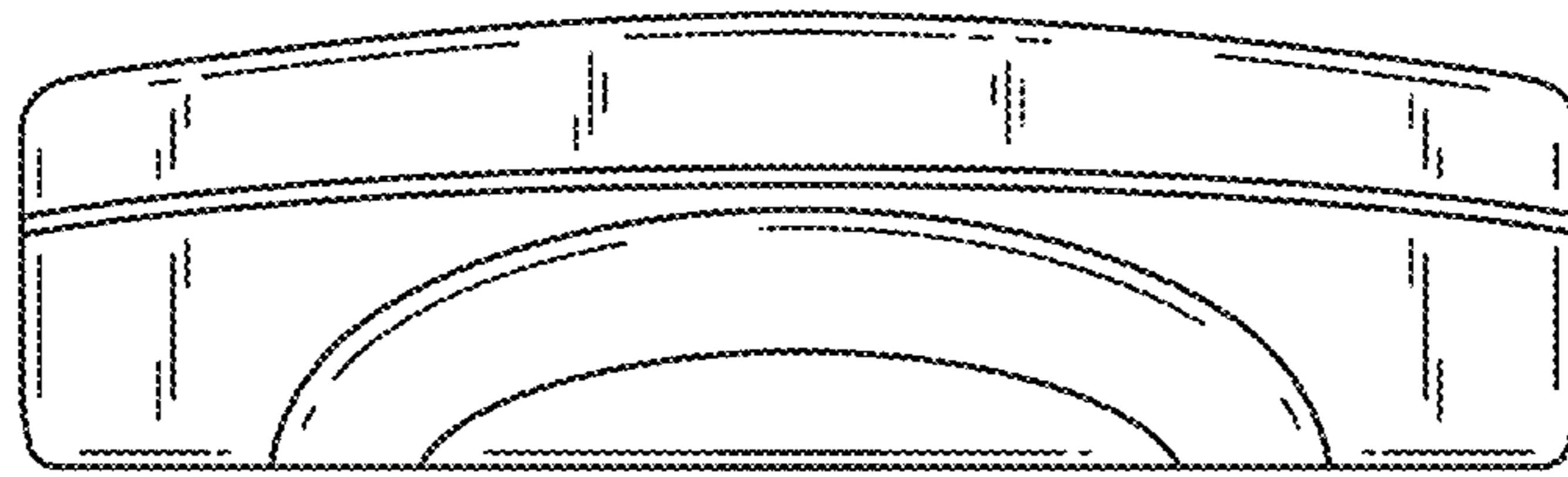


FIG. 3

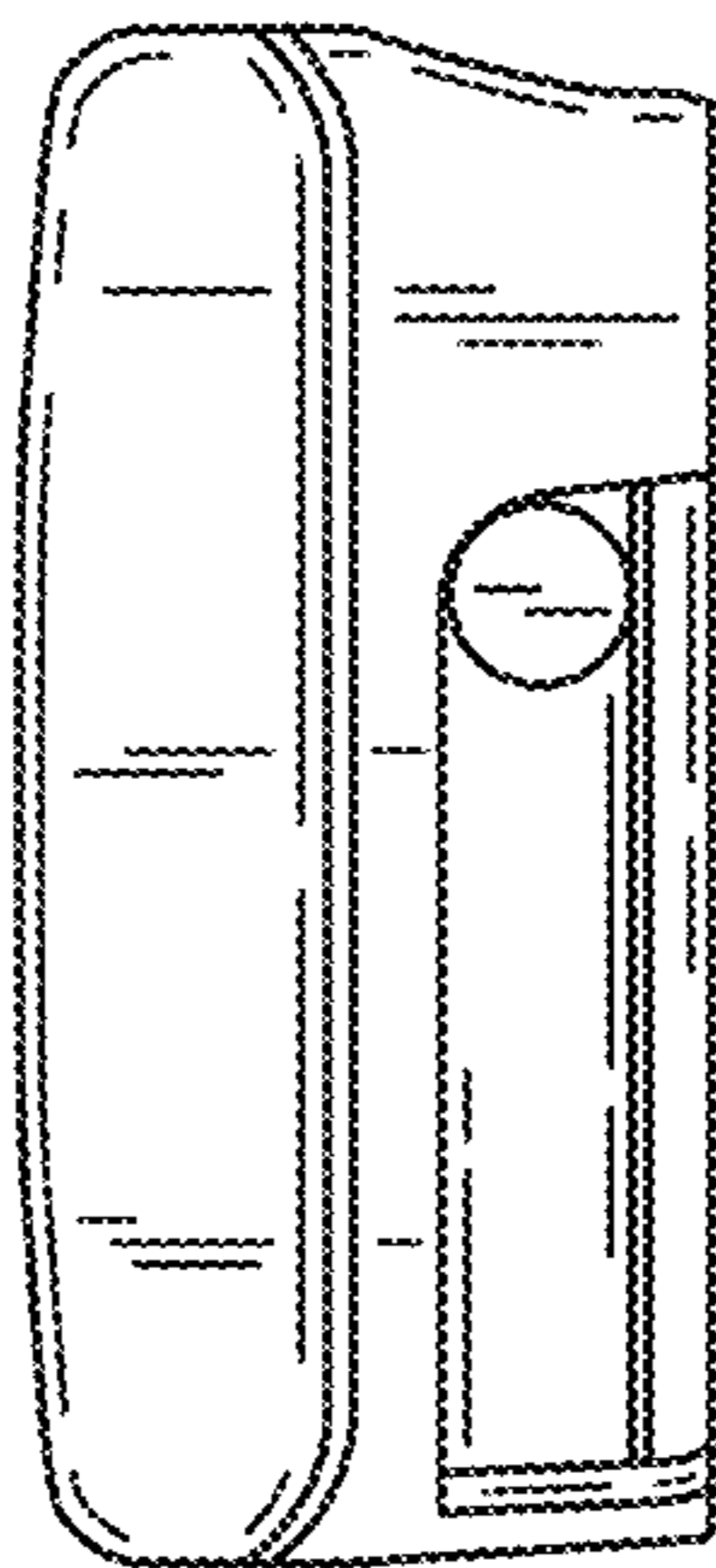


FIG. 4

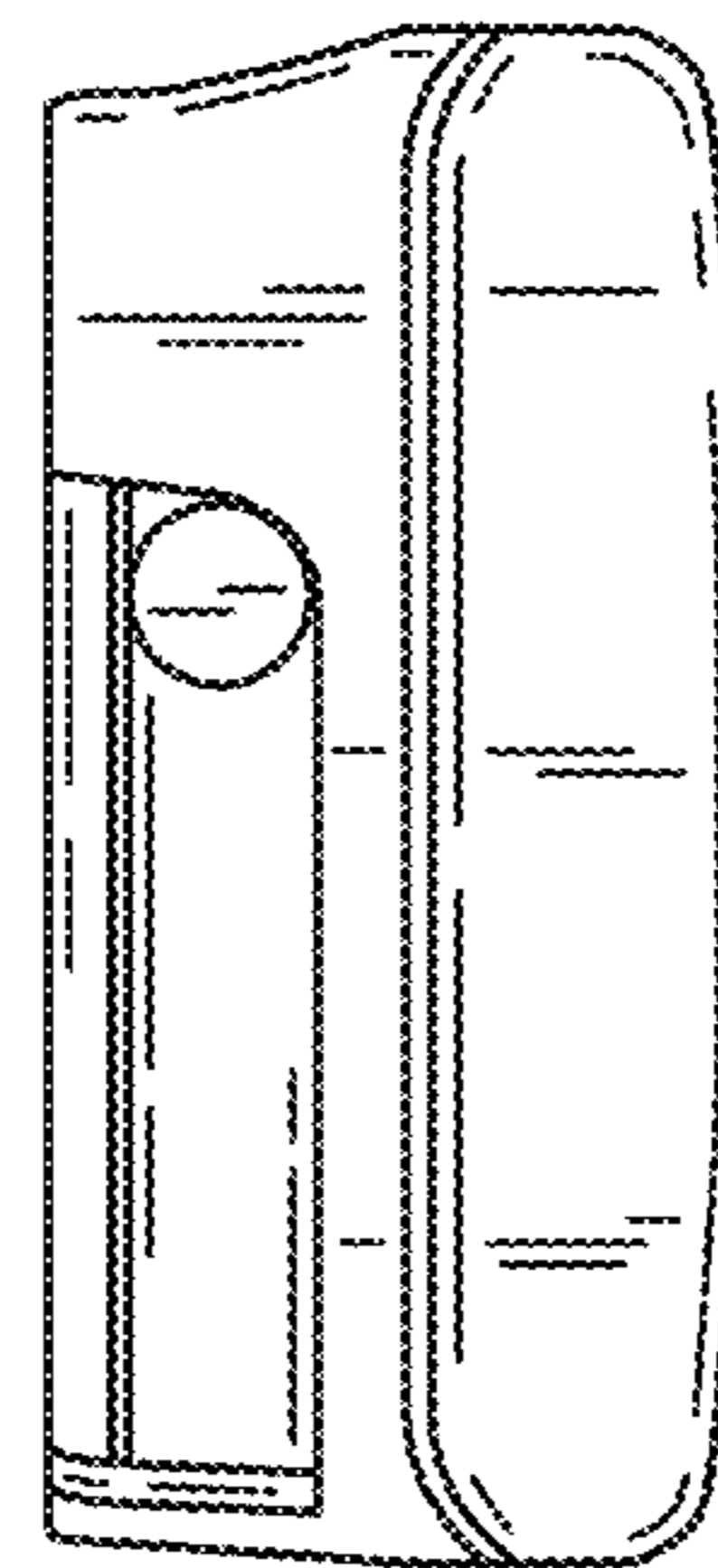


FIG. 5

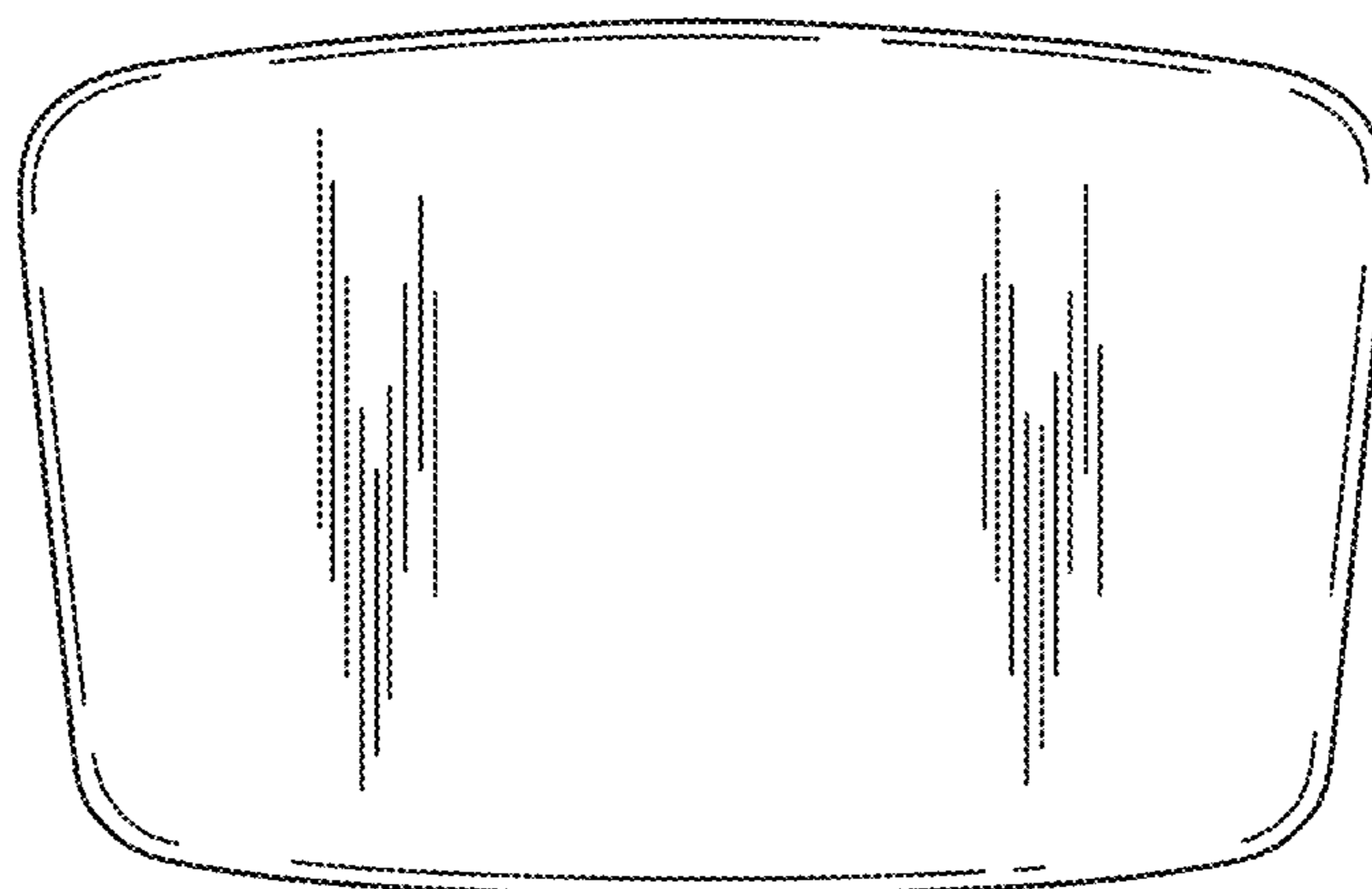


FIG. 6

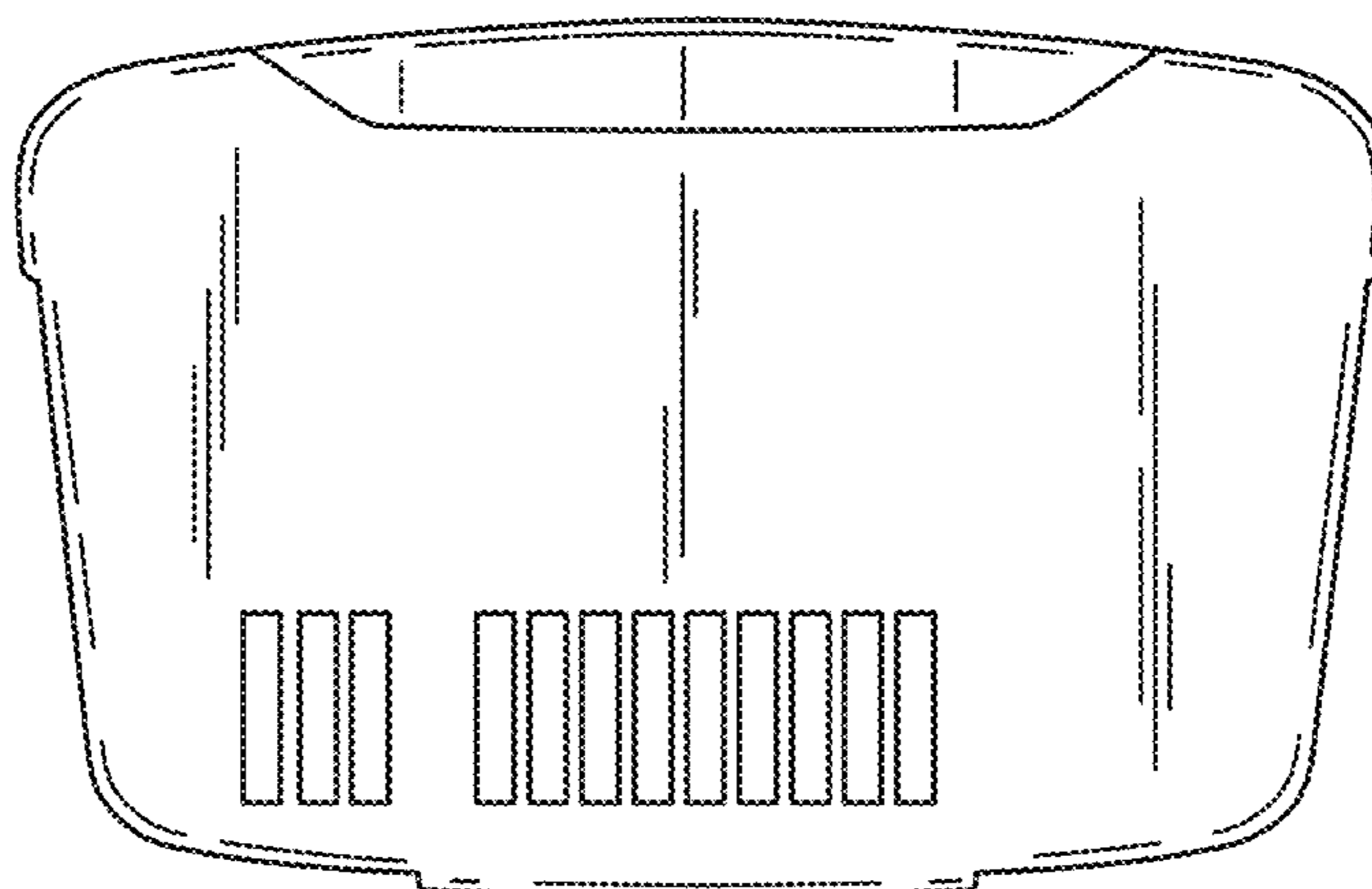


FIG. 7