



US00D732527S

(12) **United States Design Patent**  
**Kim et al.**

(10) **Patent No.:** **US D732,527 S**  
(45) **Date of Patent:** **\*\* Jun. 23, 2015**

(54) **ELECTRONIC DEVICE**

(71) Applicant: **Samsung Electronics Co., Ltd.**,  
Suwon-si (KR)

(72) Inventors: **Hyun Jin Kim**, Seoul (KR); **Ji yeon Kwak**, Seoul (KR); **Joon Kyu Seo**, Seoul (KR)

(73) Assignee: **Samsung Electronics Co., Ltd.**,  
Suwon-si (KR)

(\*\*) Term: **14 Years**

(21) Appl. No.: **29/465,054**

(22) Filed: **Aug. 23, 2013**

(30) **Foreign Application Priority Data**

Feb. 23, 2013 (KR) ..... 30-2013-0009575

(51) **LOC (10) Cl.** ..... **14-02**

(52) **U.S. Cl.**  
USPC ..... **D14/344**

(58) **Field of Classification Search**  
USPC ..... D14/138 A, 138 G, 240, 341, 342, 343,  
D14/344, 345, 346, 347, 420, 426, 427,  
D14/496; D10/30, 31, 32, 37, 38, 39, 65;  
368/281, 282, 294, 295, 296; 455/100;  
361/679.03; 379/433.1; D11/3  
See application file for complete search history.

(56) **References Cited**

**U.S. PATENT DOCUMENTS**

D553,642 S \* 10/2007 Bourelly et al. .... D14/496  
D565,599 S \* 4/2008 Jang et al. .... D14/496  
D583,813 S \* 12/2008 Maiers et al. .... D14/356  
D603,402 S \* 11/2009 Ferrari et al. .... D14/346  
D604,261 S \* 11/2009 Tsai et al. .... D14/138 G  
D606,512 S \* 12/2009 Wood et al. .... D14/203.7

D635,536 S \* 4/2011 Xiao ..... D14/138 AA  
D635,972 S \* 4/2011 Miyazawa et al. .... D14/341  
D647,920 S \* 11/2011 Luo ..... D14/496  
D675,196 S \* 1/2013 Maddern ..... D14/240  
D692,407 S \* 10/2013 Kim ..... D14/138 AD  
D703,170 S \* 4/2014 Hong ..... D14/138 G  
D708,977 S \* 7/2014 Corso et al. .... D10/106.9  
D711,342 S \* 8/2014 Wennerstrom et al. .. D14/138 G  
D716,250 S \* 10/2014 Becker et al. .... D14/138 G

\* cited by examiner

*Primary Examiner* — Barbara Fox

*Assistant Examiner* — Chelsea Sealey

(74) *Attorney, Agent, or Firm* — NSIP Law

(57) **CLAIM**

The ornamental design for an electronic device, as shown and described.

**DESCRIPTION**

FIG. 1 is a front perspective view of an electronic device showing our new design;  
FIG. 2 is a front view thereof;  
FIG. 3 is a rear view thereof;  
FIG. 4 is a left-side view thereof;  
FIG. 5 is a right-side view thereof;  
FIG. 6 is a top view thereof;  
FIG. 7 is a bottom view thereof;  
FIG. 8 is a perspective view of the electronic device shown in an open position; and,  
FIG. 9 is an enlarged view of the encircled portion A in FIG. 2.

The broken lines indicate portions of the electronic device that form no part of the claimed design.

The dot-dash broken lines encircling portions of the claimed design that are illustrated in enlargements form no part of the claimed design.

The dot dash lines in the figures represent an unclaimed boundary line and form no part of the claimed design.

**1 Claim, 9 Drawing Sheets**

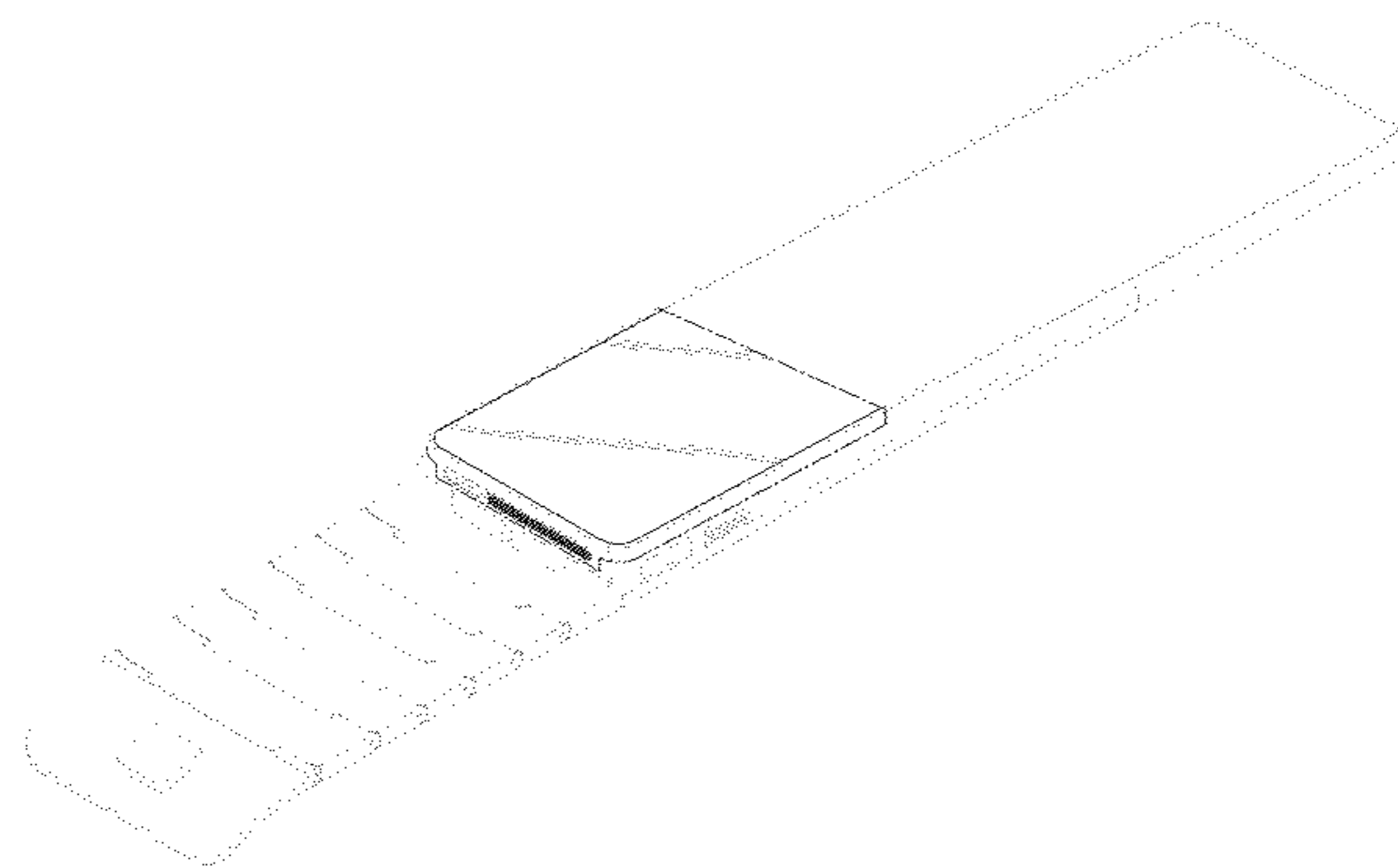
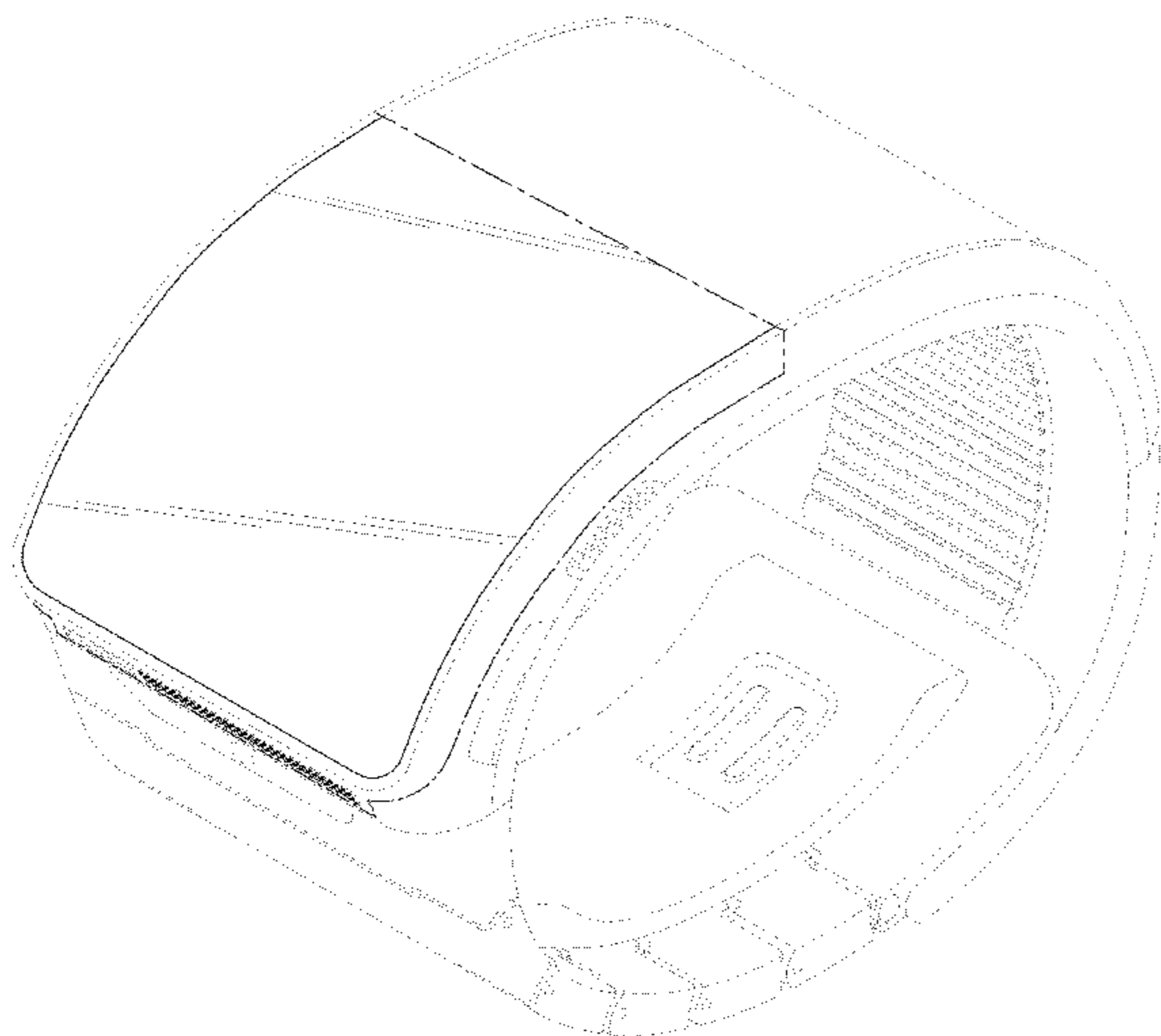


FIG. 1

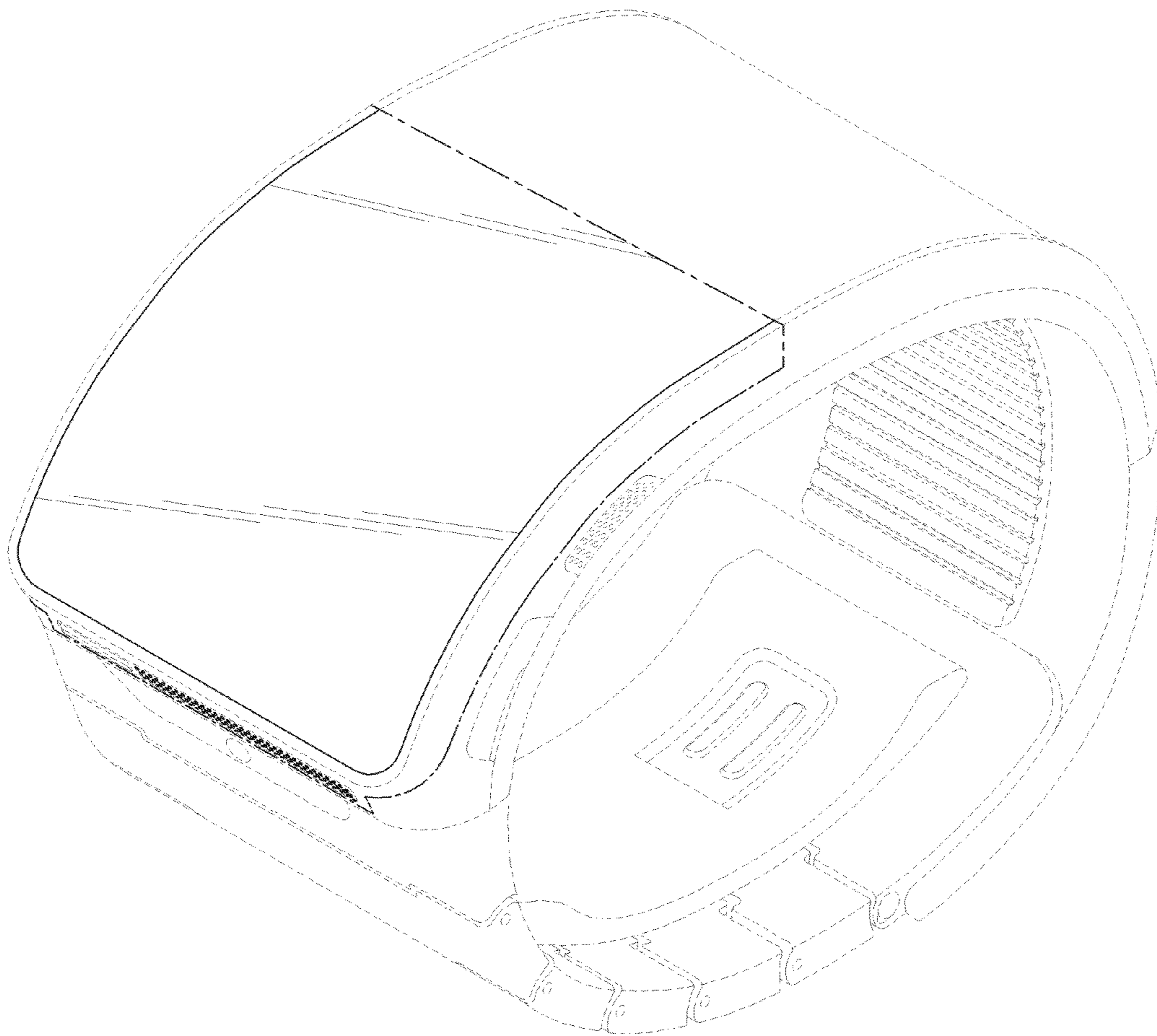
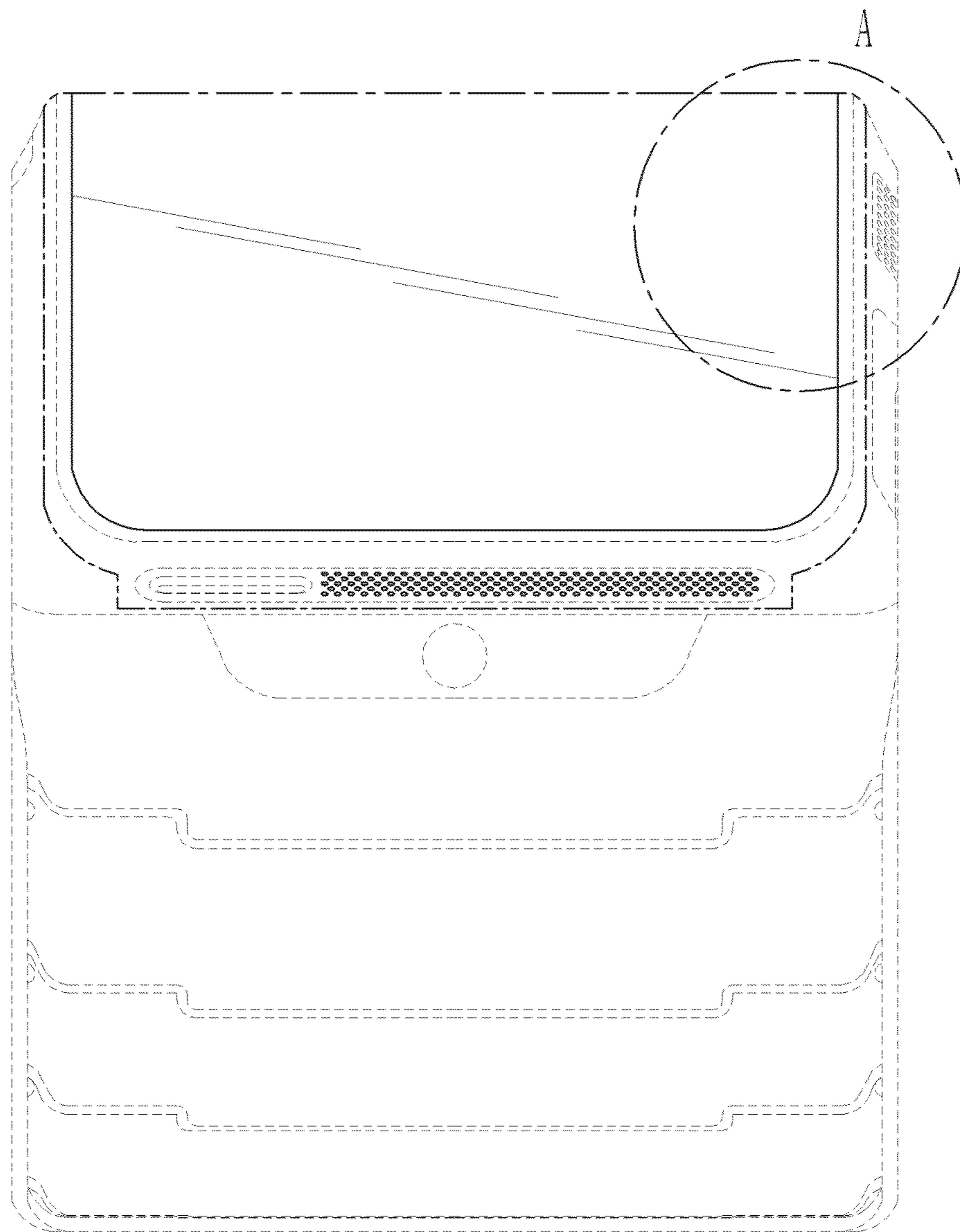


FIG. 2



**FIG. 3**

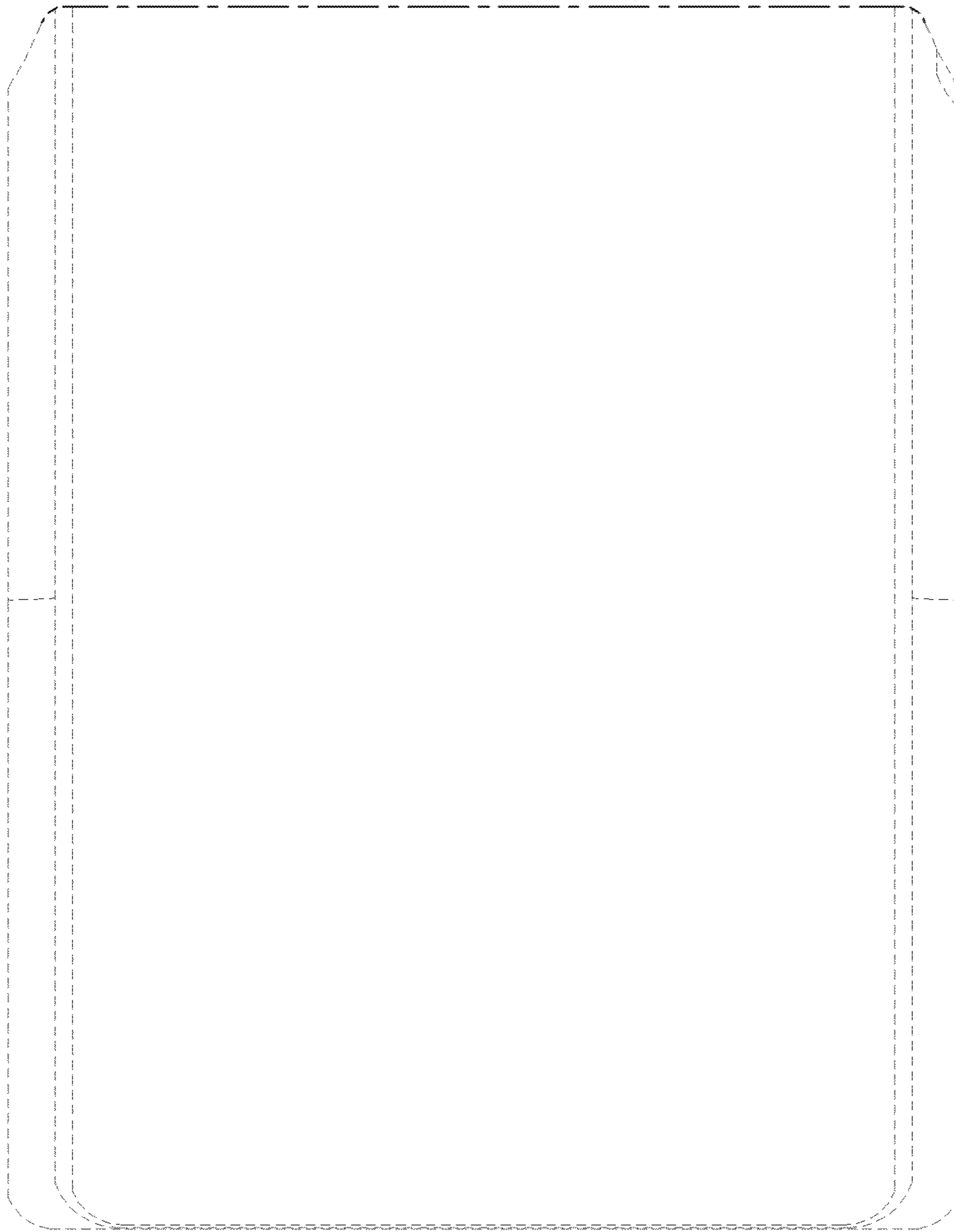


FIG. 4

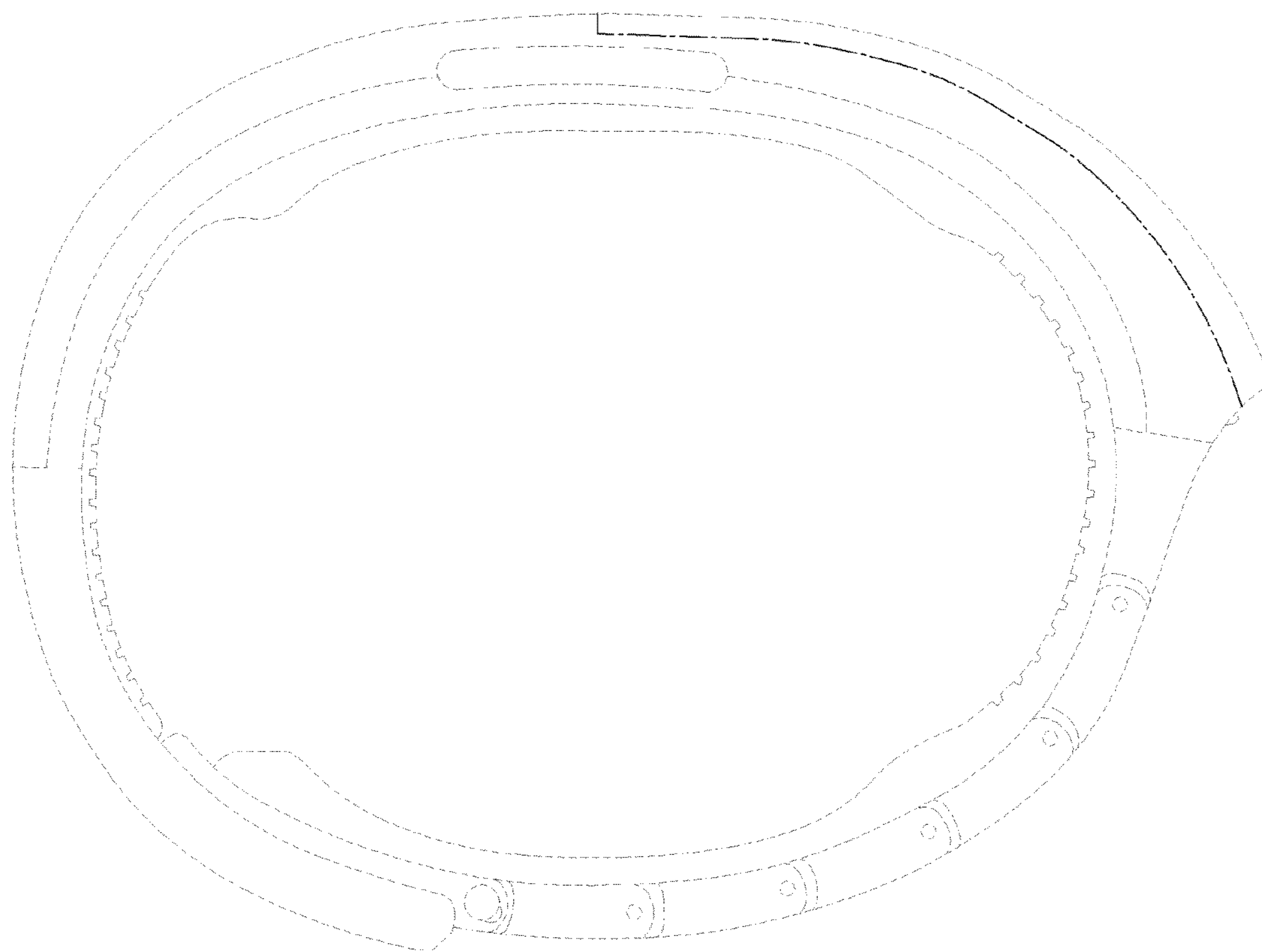


FIG. 5

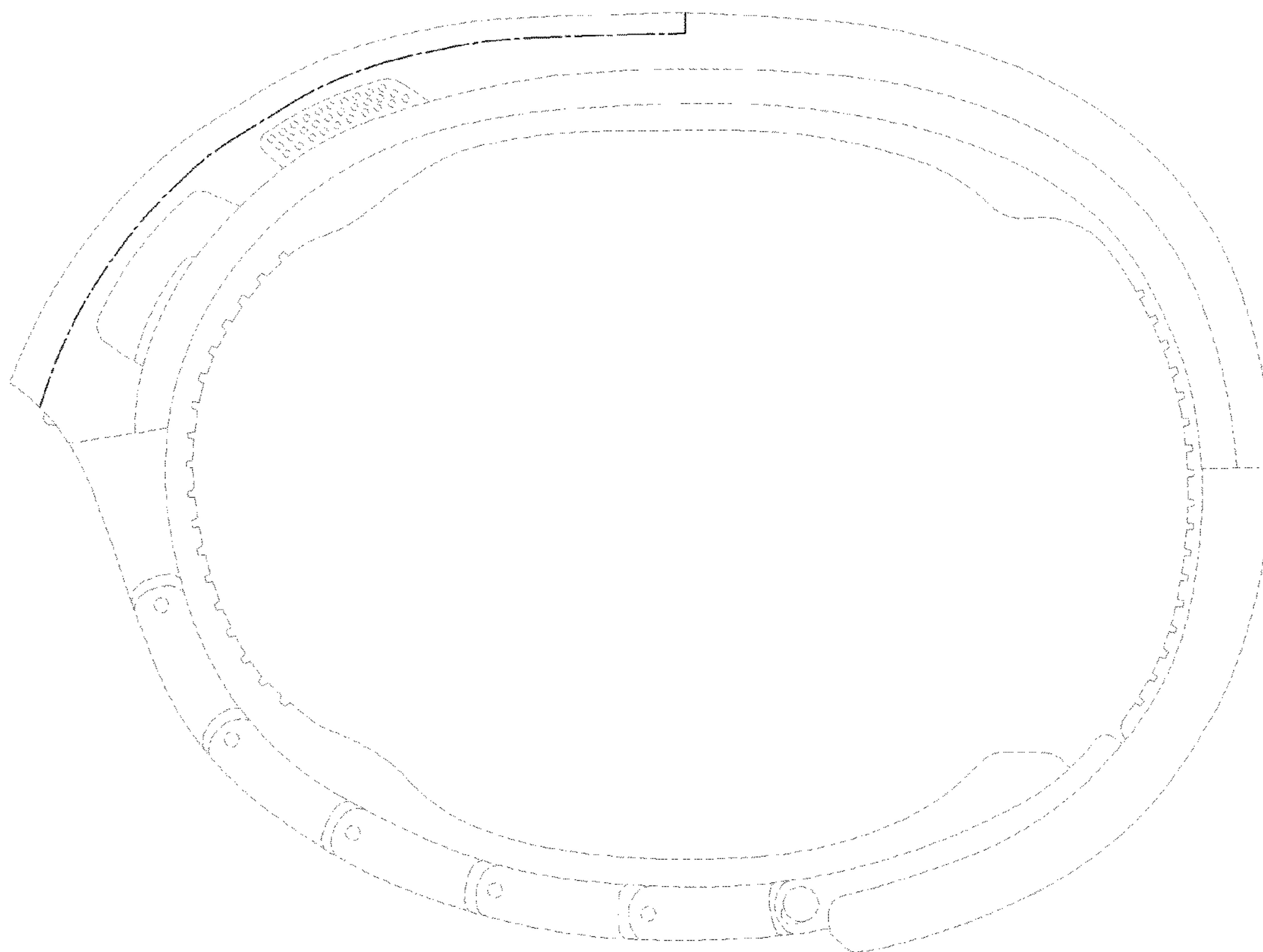
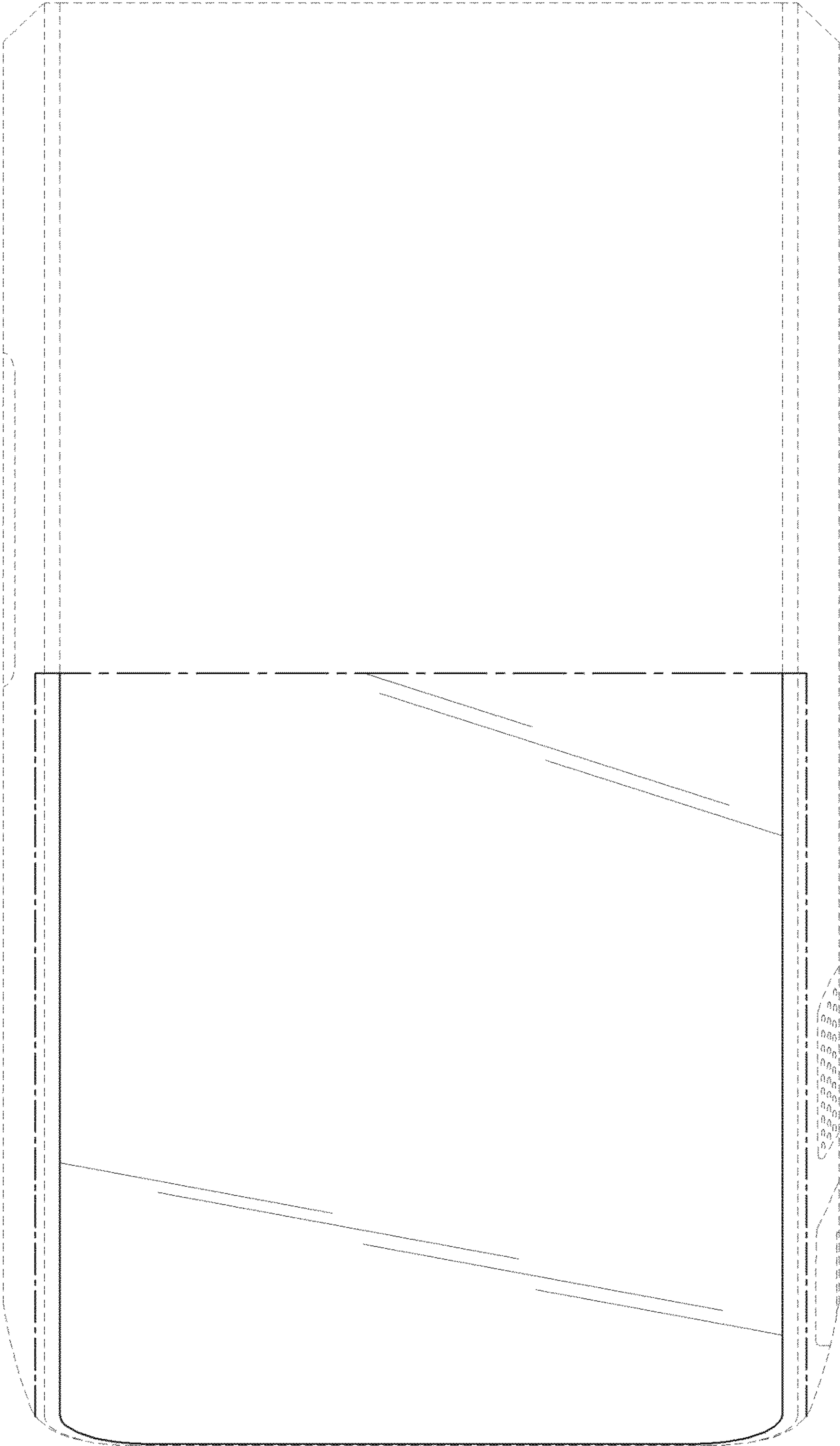
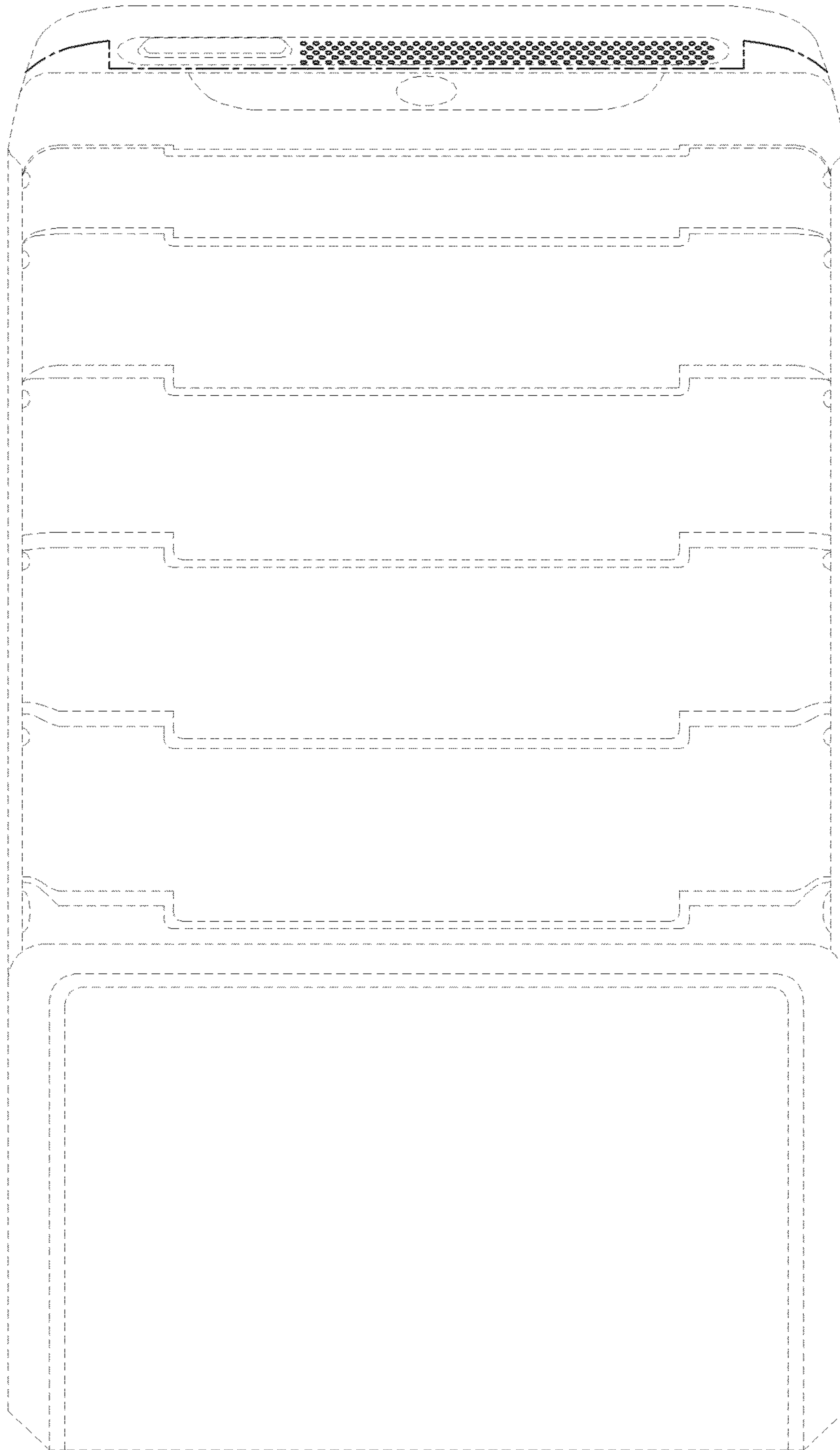


FIG. 6



**FIG. 7**





**FIG. 8**

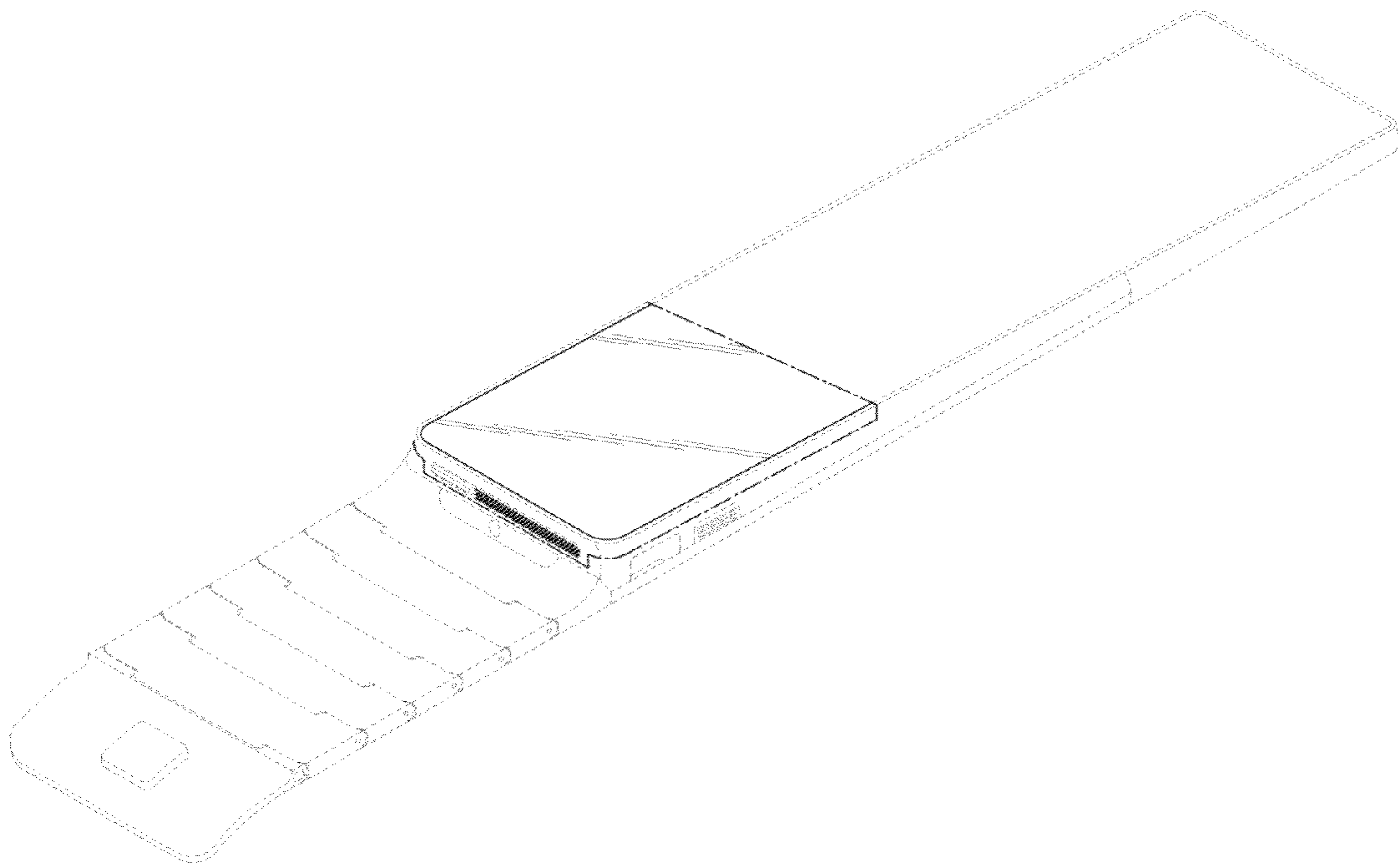


FIG. 9

