



US00D732524S

(12) **United States Design Patent**  
**Mehandjiysky et al.**

(10) **Patent No.:** **US D732,524 S**  
(45) **Date of Patent:** **\*\* Jun. 23, 2015**

(54) **COMPUTER**

(71) Applicant: **Hewlett-Packard Development Company, L.P.**, Houston, TX (US)

(72) Inventors: **Dimitre D. Mehandjiysky**, Cypress, TX (US); **Kevin L. Massaro**, Houston, TX (US); **Ming Chih Kuo**, Taipei (TW)

(73) Assignee: **Hewlett-Packard Development Company, L.P.**, Houston, TX (US)

(\*\*) Term: **14 Years**

(21) Appl. No.: **29/480,785**

(22) Filed: **Jan. 29, 2014**

(51) **LOC (10) Cl.** ..... **14-02**

(52) **U.S. Cl.**  
USPC ..... **D14/315**; D14/456

(58) **Field of Classification Search**  
USPC ..... D14/315–327, 391–399, 455, 456;  
D18/1, 2, 7, 11; 235/145 A, 145 R;  
341/22, 23; 345/104, 156, 168, 169,  
345/173; 361/679.08, 679.09, 679.11,  
361/679.26, 679.27; 200/5 A, 5 R, 6 A, 6 R;  
400/484–489, 492, 472  
CPC ..... G06F 1/16; H01R 35/02; H03M 11/00;  
G09B 13/04; H03K 17/94  
See application file for complete search history.

(56) **References Cited**

**U.S. PATENT DOCUMENTS**

5,793,359 A \* 8/1998 Ushikubo ..... 345/169  
D528,117 S \* 9/2006 Shimizu ..... D14/391

D601,148 S \* 9/2009 Akita ..... D14/391  
D630,751 S \* 1/2011 Yanase et al. .... D24/158  
D648,338 S \* 11/2011 Raeber et al. .... D14/392  
D680,947 S \* 4/2013 Raeber et al. .... D13/102  
2005/0040972 A1 \* 2/2005 Hamada et al. .... 341/22  
2007/0166019 A1 \* 7/2007 Kitahara ..... 396/51

\* cited by examiner

*Primary Examiner* — Freda S Nunn

(74) *Attorney, Agent, or Firm* — Rathe Lindenbaum LLP

(57) **CLAIM**

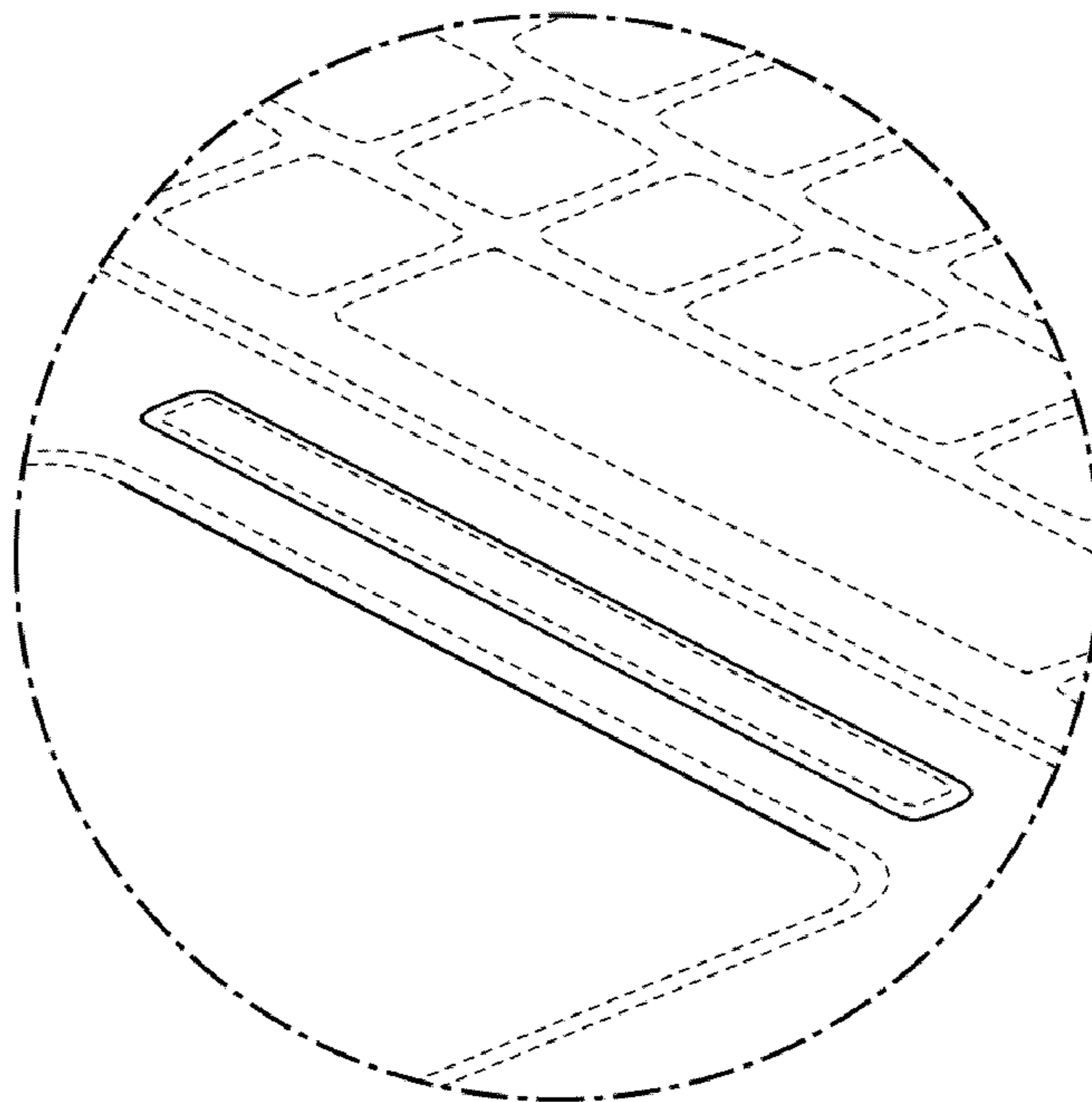
We claim the ornamental design for a computer, as shown and described.

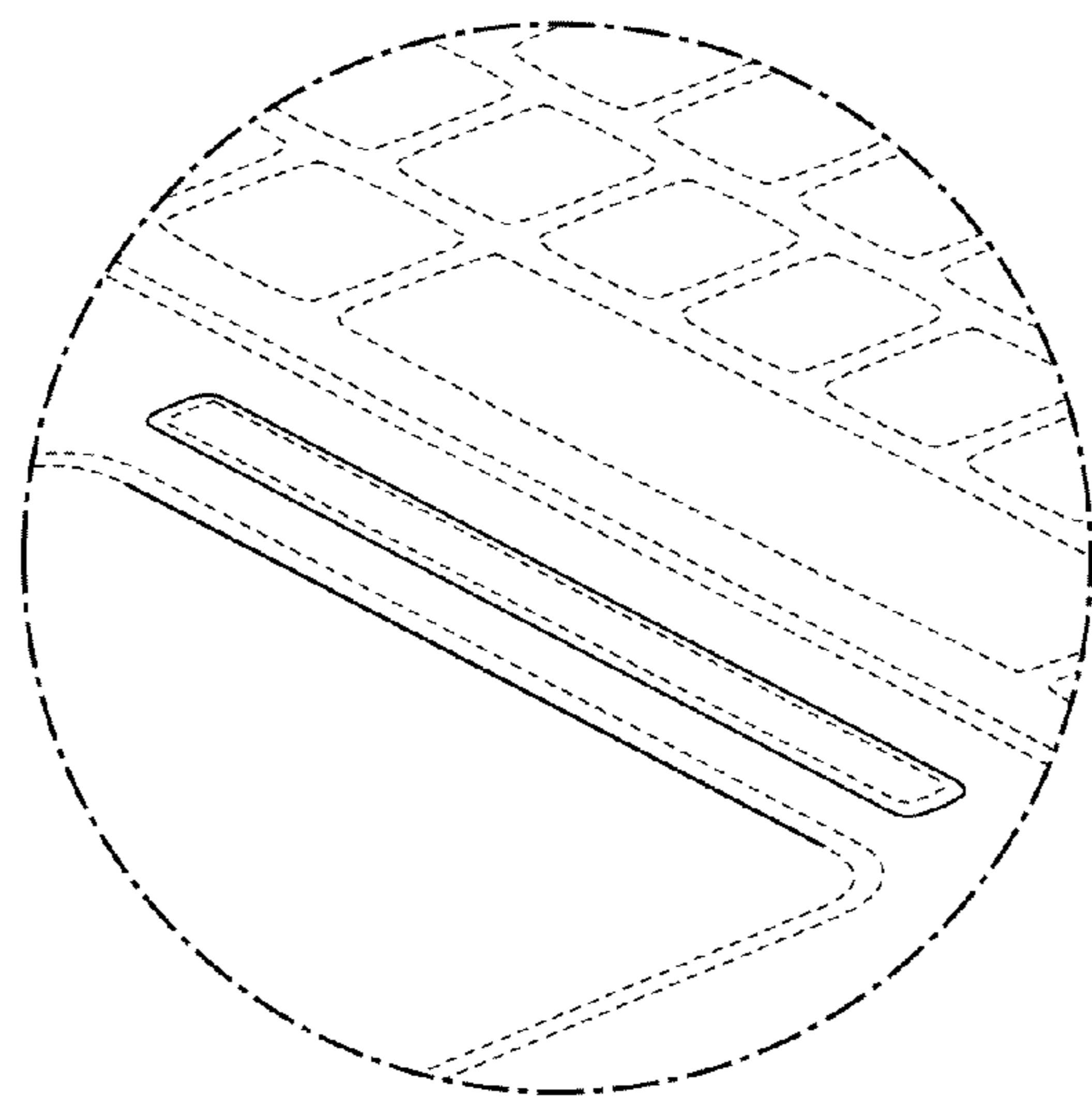
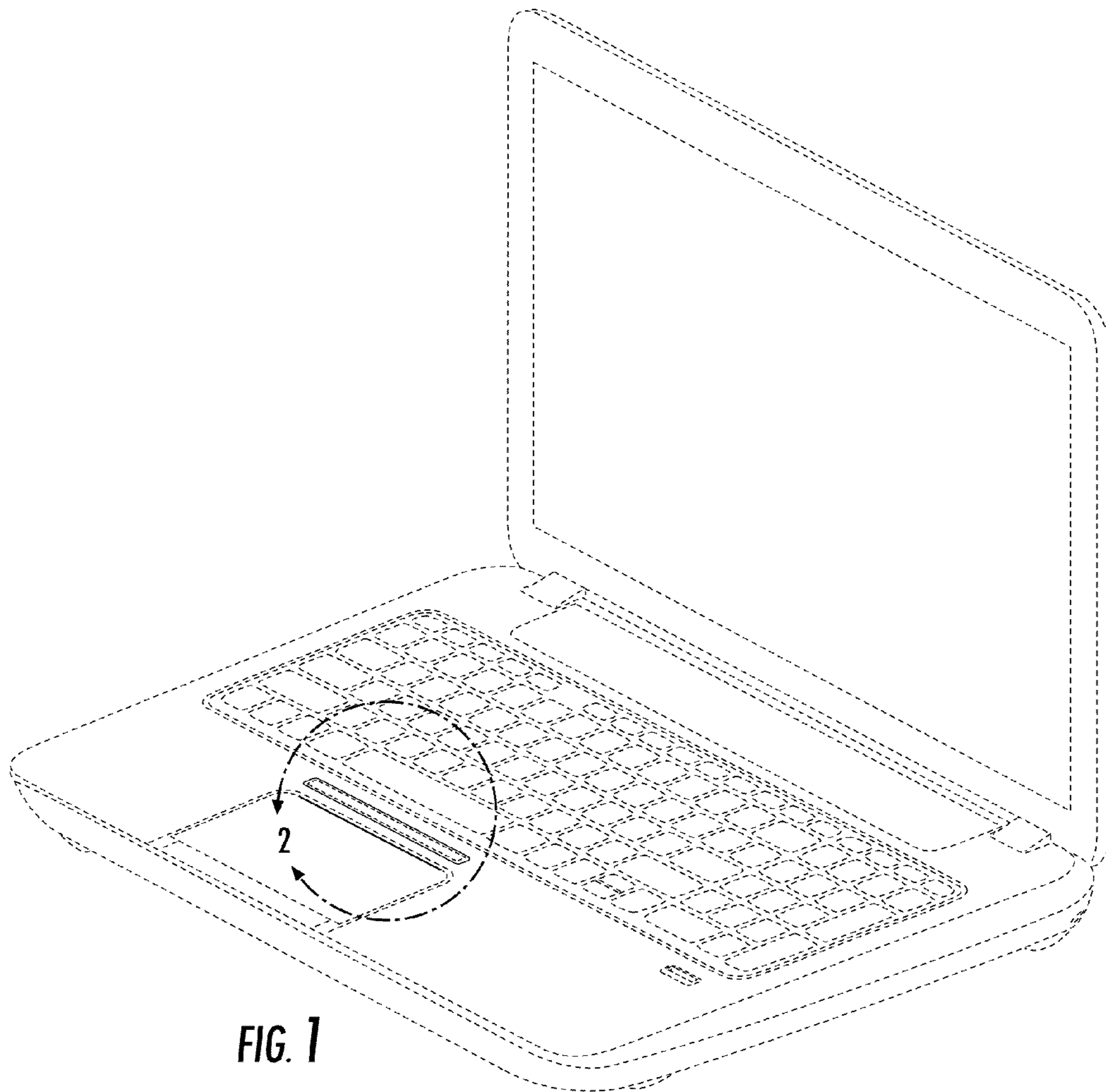
**DESCRIPTION**

FIG. 1 is a front perspective view of a computer;  
FIG. 2 is an enlarged view thereof taken along the line 2-2 of FIG. 1;  
FIG. 3 is a front view thereof;  
FIG. 4 is a rear view thereof;  
FIG. 5 is a top view thereof;  
FIG. 6 is a bottom view thereof;  
FIG. 7 is a left side view thereof;  
FIG. 8 is an enlarged view thereof taken along line 8-8 of FIG. 7;  
FIG. 9 is a right side view thereof; and,  
FIG. 10 is an enlarged view thereof taken along line 10-10 of FIG. 9.

The dash-dash broken lines in the drawings are environmental lines which do not form part of the claimed design. The short dash-long dash lines are boundary lines which do not form part of the claimed design.

**1 Claim, 7 Drawing Sheets**





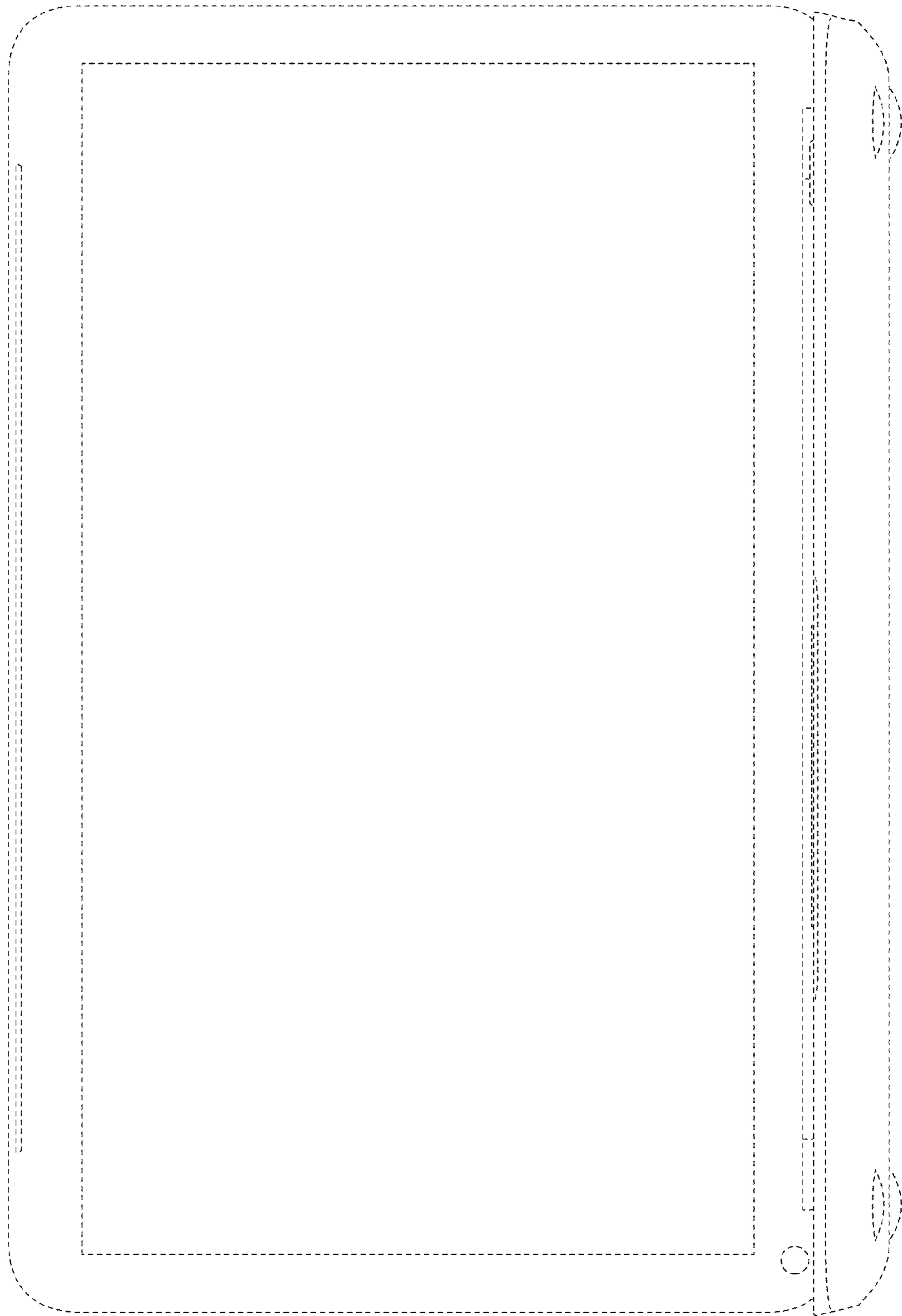


FIG. 3

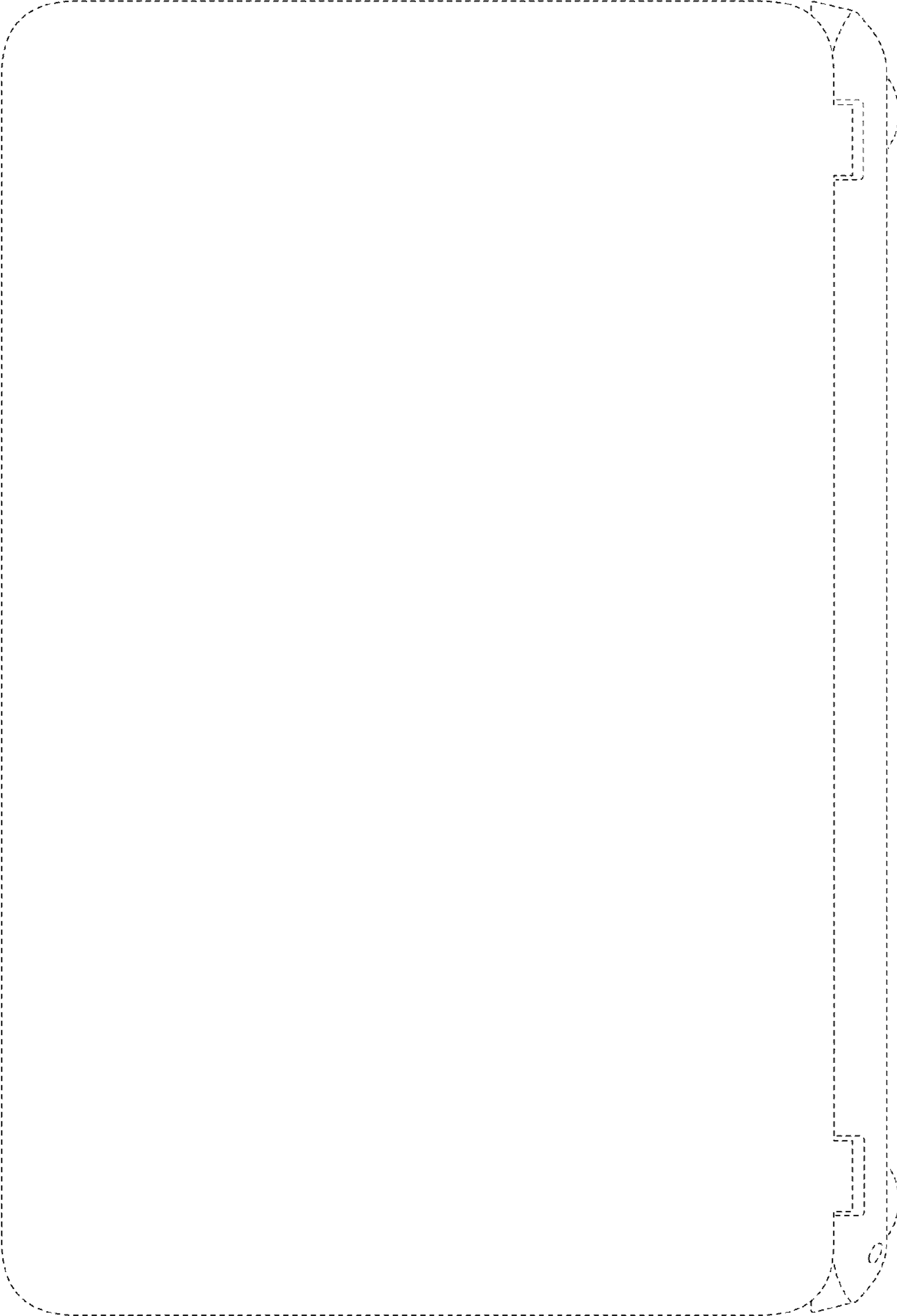


FIG. 4

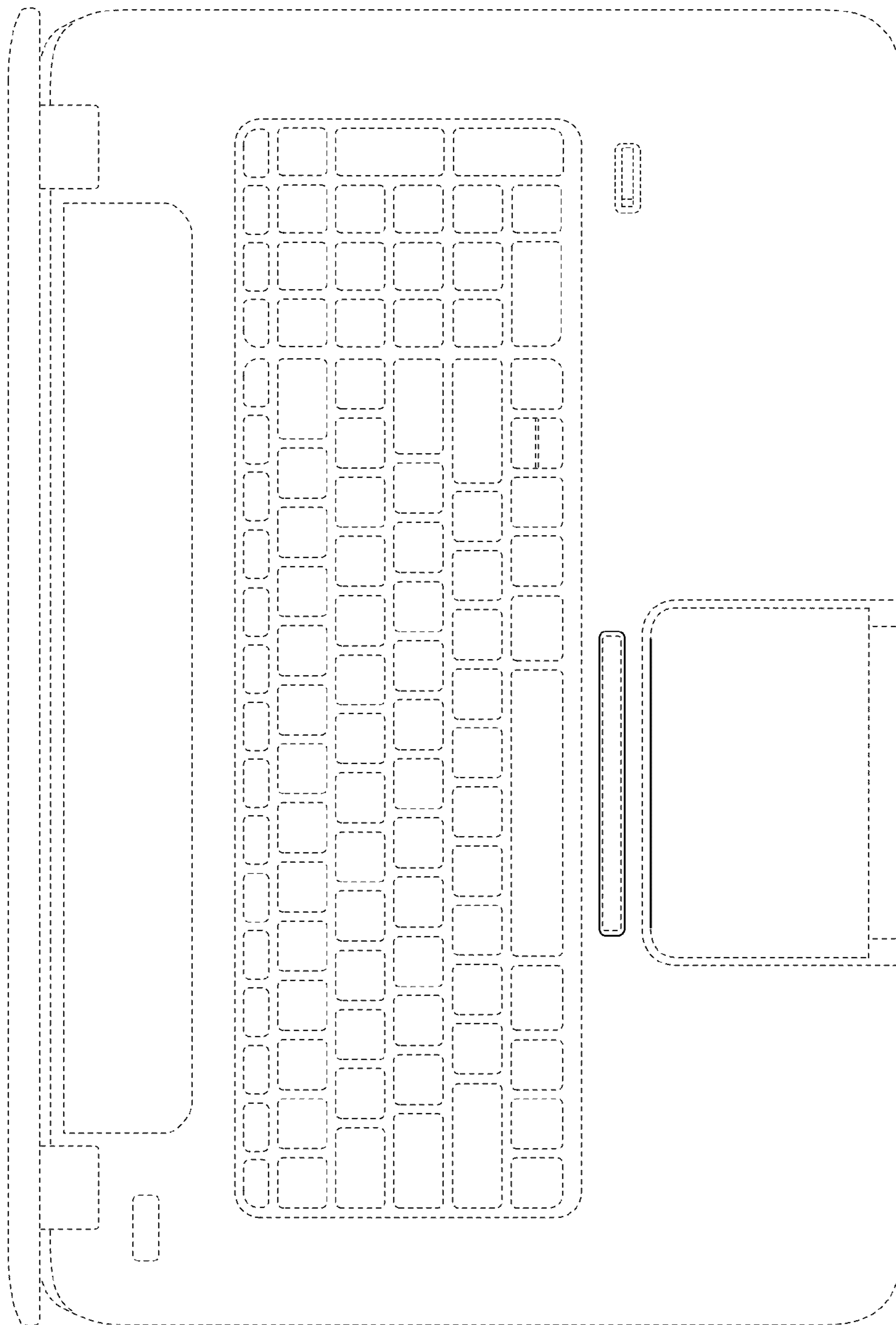


FIG. 5

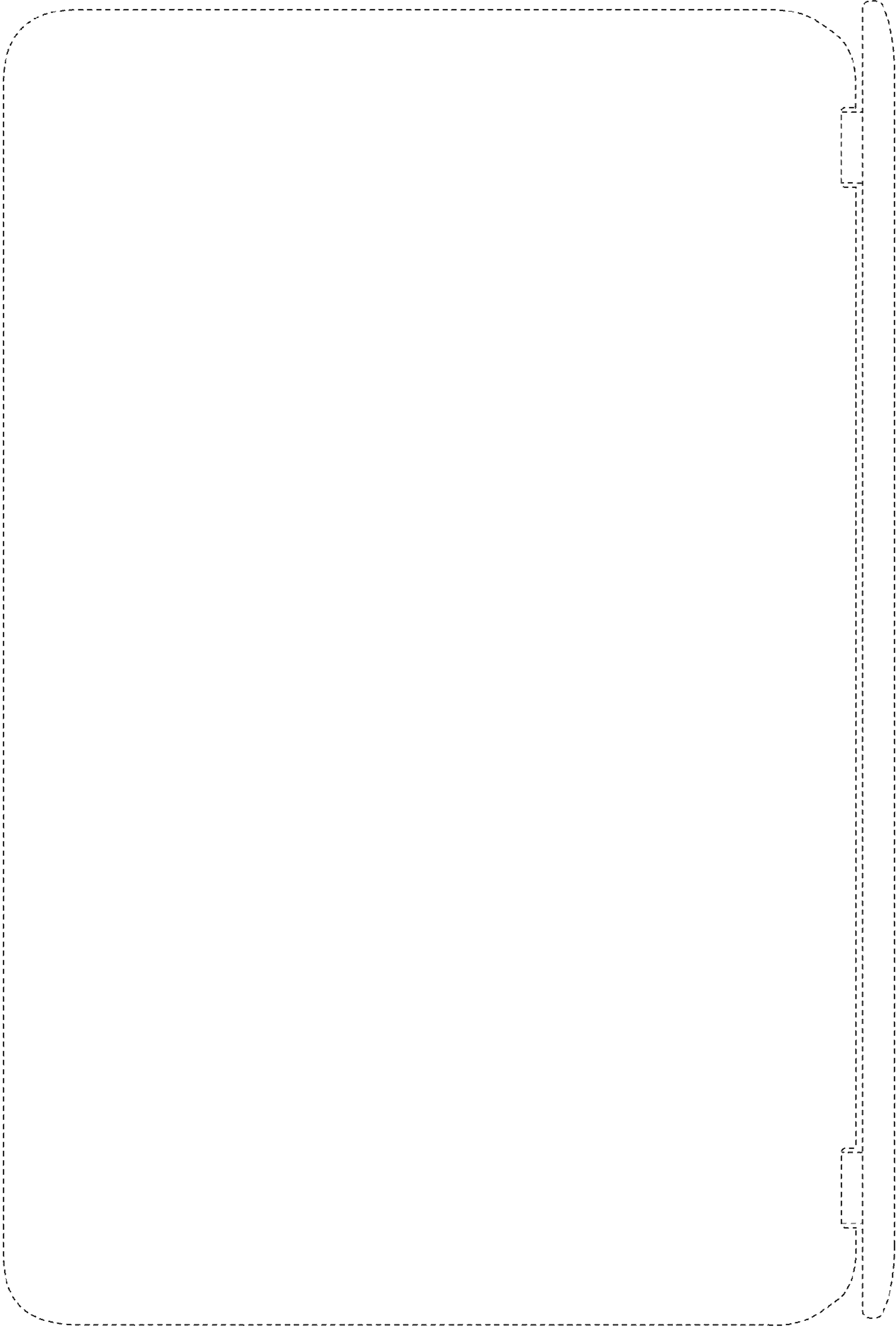


FIG. 6



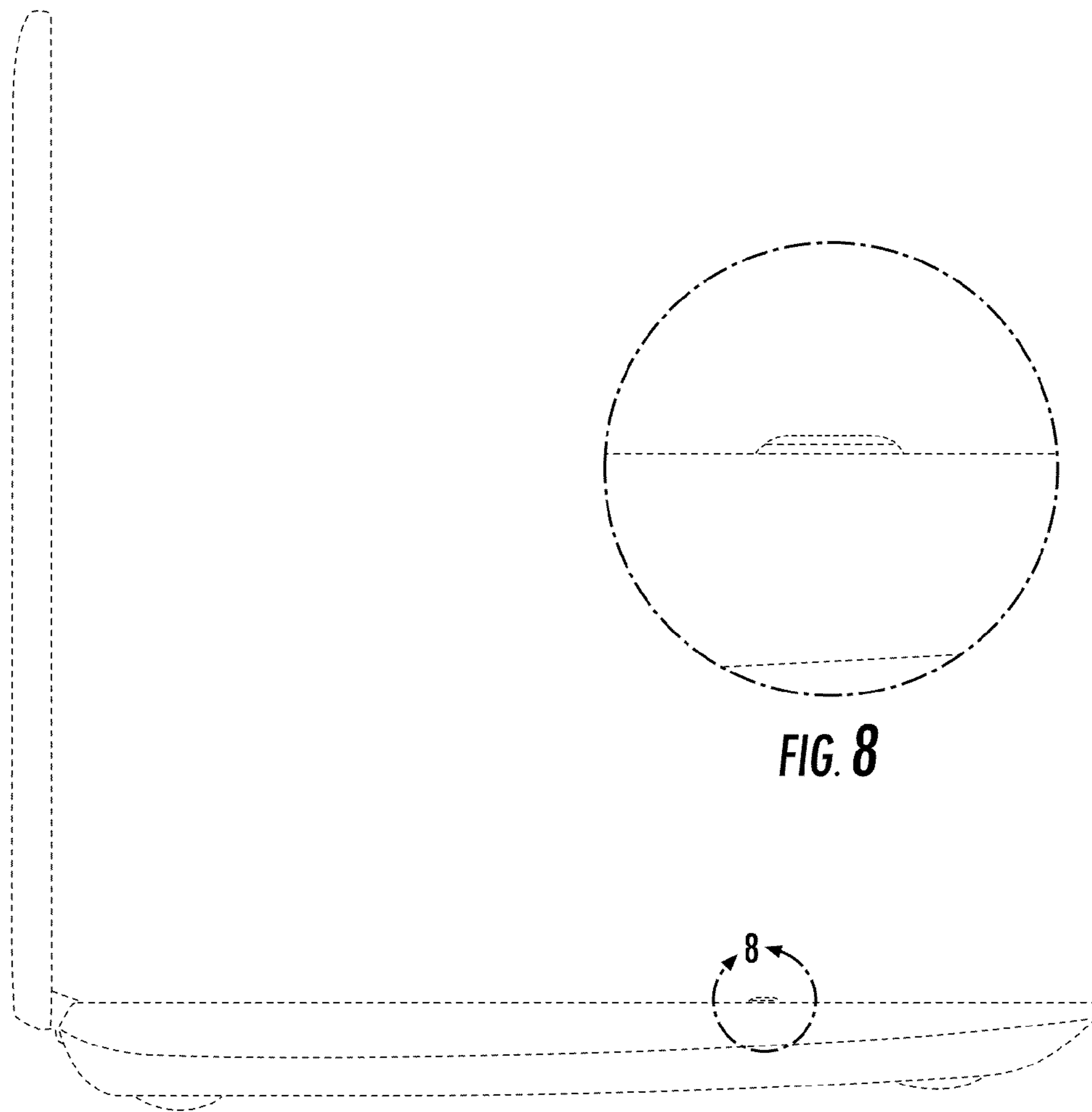
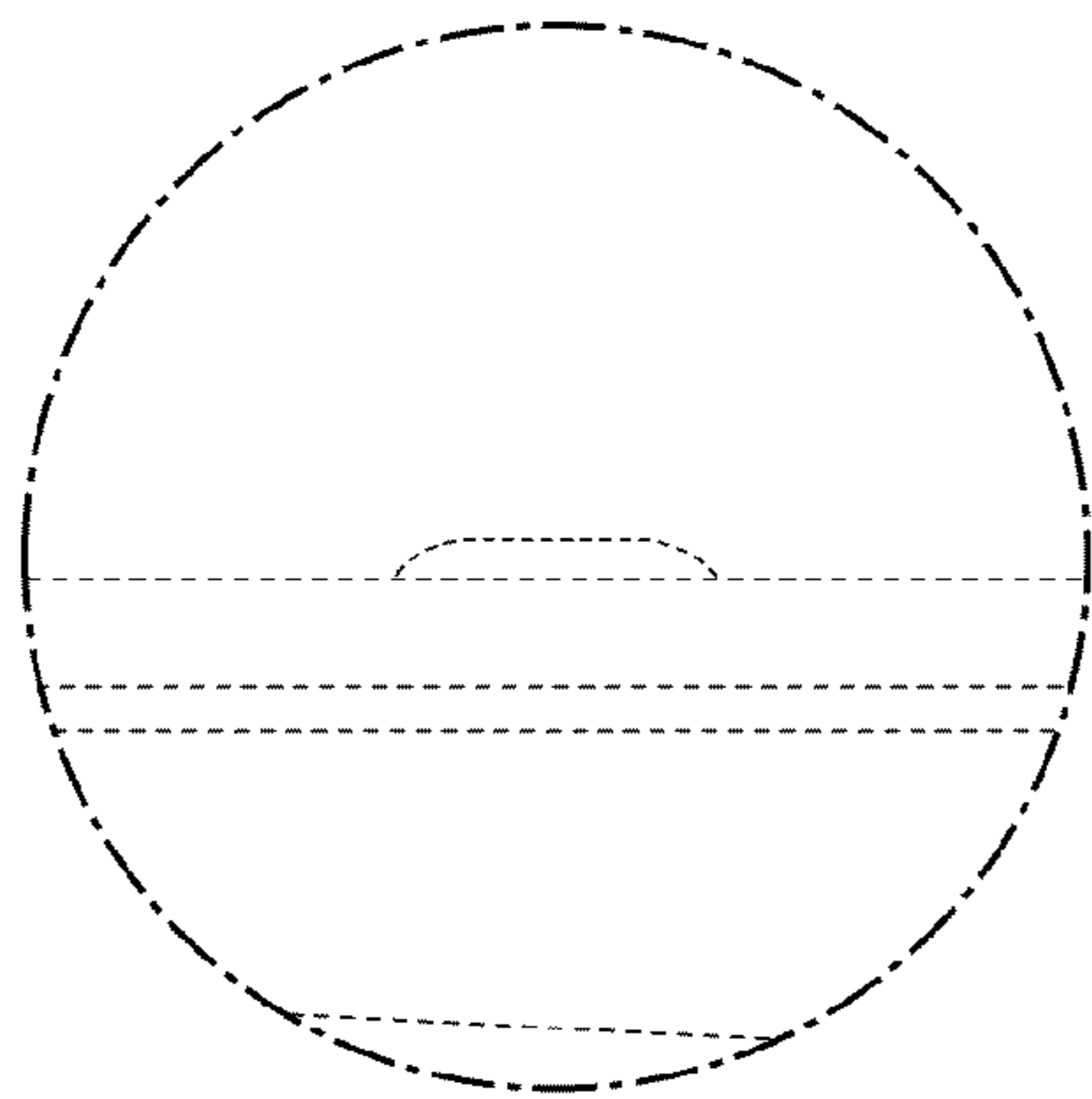
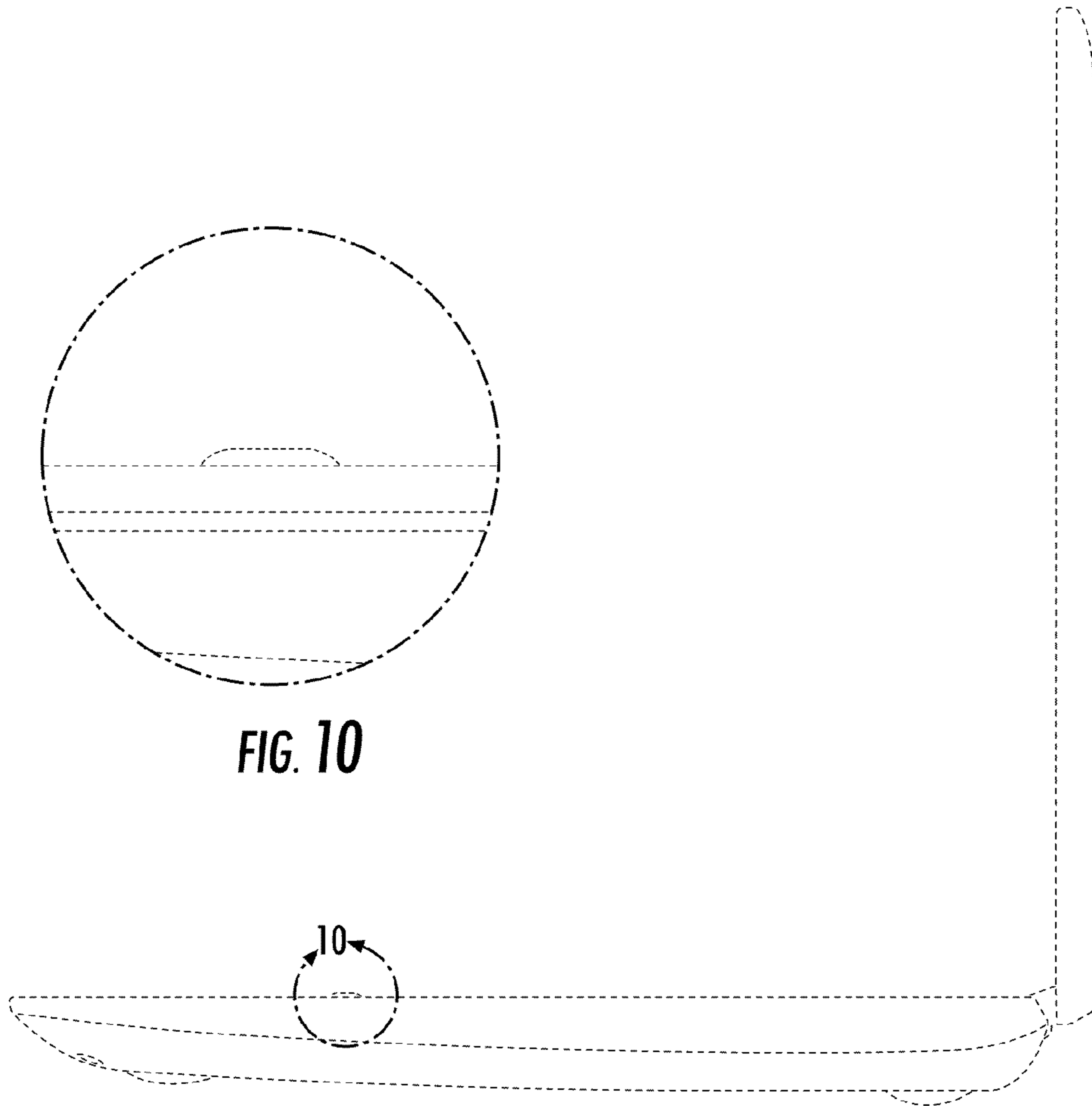


FIG. 8

FIG. 7



**FIG. 10**



**FIG. 9**