

US00D732523S

(12) **United States Design Patent**
Riddiford et al.

(10) **Patent No.:** **US D732,523 S**
(45) **Date of Patent:** **** Jun. 23, 2015**

(54) **PORTABLE COMPUTER**

(71) Applicant: **Google Inc.**, Mountain View, CA (US)

(72) Inventors: **Martin Philip Riddiford**, London (GB);
William Stuart, London (GB)

(73) Assignee: **Google Inc.**, Mountain View, CA (US)

(**) Term: **14 Years**

(21) Appl. No.: **29/464,110**

(22) Filed: **Aug. 13, 2013**

Related U.S. Application Data

(63) Continuation of application No. 29/427,054, filed on Jul. 13, 2012, now abandoned.

(51) **LOC (10) Cl.** **14-02**

(52) **U.S. Cl.**
USPC **D14/315**

(58) **Field of Classification Search**
USPC D14/315-327; D18/1, 2, 7, 11;
235/145 A, 145 R; 341/22, 23; 345/104,
345/156, 168, 169, 173; 361/679.08,
361/679.09, 679.11, 679.26, 679.27
CPC G06F 1/16; G06F 1/1616; H01R 35/02;
H03M 11/00; G09B 13/04; H03K 17/94
See application file for complete search history.

(56) **References Cited**

U.S. PATENT DOCUMENTS

- 5,168,426 A 12/1992 Hoving et al.
- 5,267,123 A 11/1993 Boothroyd et al.
- 5,291,370 A 3/1994 Yanagisawa et al.
- 5,345,362 A 9/1994 Winkler
- 5,548,478 A 8/1996 Kumar et al.
- 5,646,818 A 7/1997 Hahn
- D394,848 S 6/1998 Riddiford
- 5,887,723 A 3/1999 Myles et al.

- 6,005,767 A 12/1999 Ku et al.
- 6,266,236 B1 7/2001 Ku et al.
- 6,714,403 B2* 3/2004 Furuki et al. 361/679.09

(Continued)

Primary Examiner — Freda S Nunn

(74) *Attorney, Agent, or Firm* — Lerner, David, Littenberg,
Krumholz & Mentlik, LLP

(57) **CLAIM**

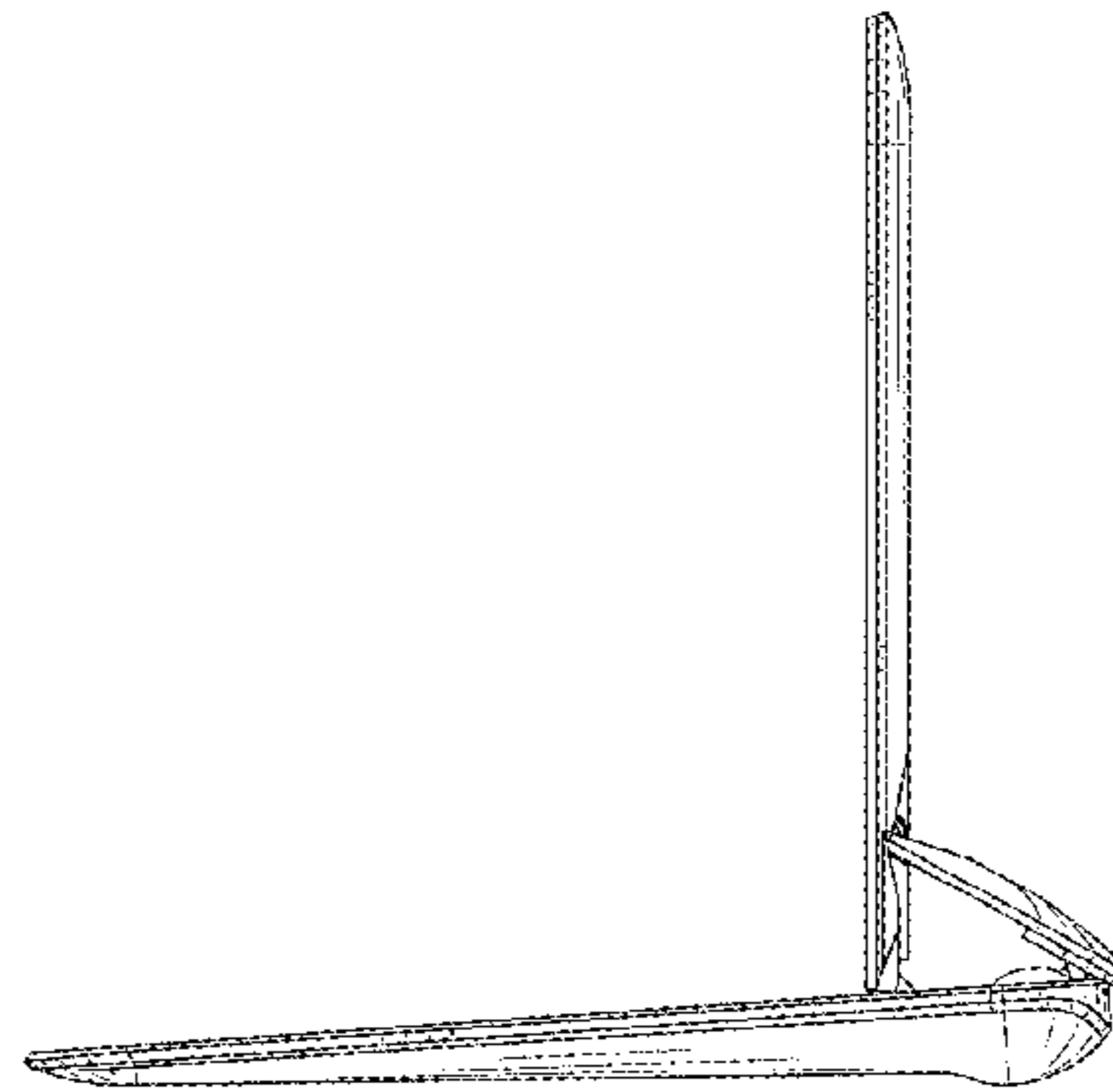
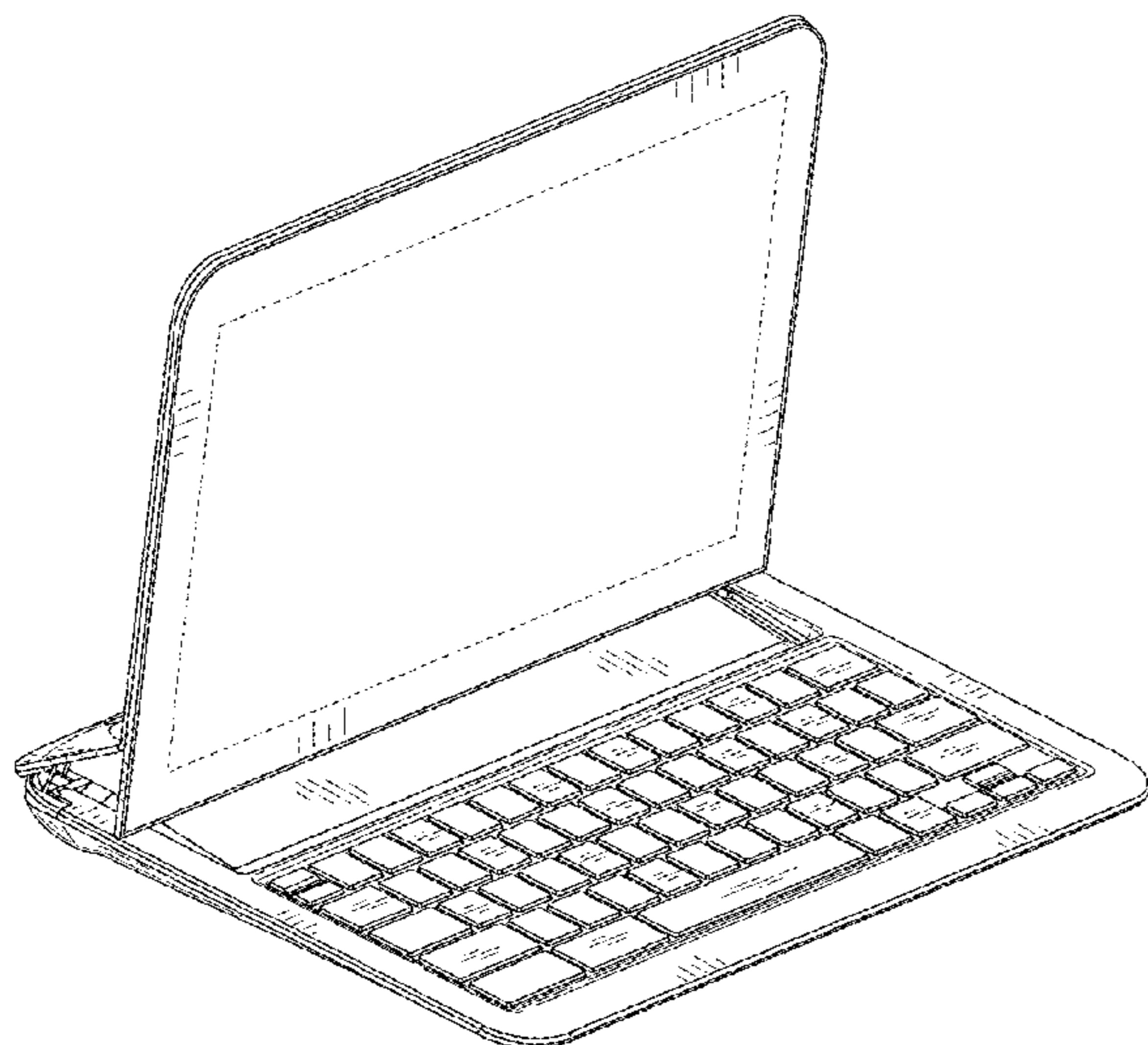
The ornamental design for a portable computer, as shown and described.

DESCRIPTION

FIG. 1 is a front perspective view of a portable computer according to our design shown in a closed configuration; FIG. 2 is a front view thereof; FIG. 3 is a back view thereof; FIG. 4 is a right side view thereof; FIG. 5 is a left side view thereof; FIG. 6 is a top view thereof; FIG. 7 is a bottom view thereof; FIG. 8 is a front perspective view of the portable computer of the design shown in a first open configuration; FIG. 9 is a front view thereof; FIG. 10 is a back view thereof; FIG. 11 is a right side view thereof; FIG. 12 is a left side view thereof; FIG. 13 is a top view thereof; FIG. 14 is a bottom view thereof; FIG. 15 is a rear perspective view thereof; FIG. 16 is a front perspective view of the portable computer of the design shown in a second open configuration; FIG. 17 is a front view thereof; FIG. 18 is a back side view thereof; FIG. 19 is a right side view thereof; FIG. 20 is a left side view thereof; FIG. 21 is a top view thereof; FIG. 22 is a bottom view thereof; and, FIG. 23 is a rear perspective view thereof.

Broken lines are environmental only and form no part of the claimed design.

1 Claim, 14 Drawing Sheets



(56)

References Cited

U.S. PATENT DOCUMENTS

6,826,043 B2	11/2004	Chang	
6,829,140 B2	12/2004	Shimano et al.	
7,019,964 B1	3/2006	Maskatia et al.	
D528,541 S	9/2006	Maskatia	
D535,292 S	1/2007	Shi et al.	
7,184,263 B1	2/2007	Maskatia	
7,203,058 B2 *	4/2007	Hong	361/679.06
D545,821 S	7/2007	Eroma et al.	
7,239,505 B2	7/2007	Keely et al.	
7,280,348 B2	10/2007	Ghosh	
7,283,355 B2 *	10/2007	Han	361/679.55
7,355,843 B2	4/2008	Riddiford	
7,436,655 B2 *	10/2008	Homer et al.	361/679.55
7,457,108 B2	11/2008	Ghosh	
7,616,435 B2 *	11/2009	Wang	361/679.27
D605,192 S	12/2009	Lin	
7,639,479 B2	12/2009	Chuang et al.	
7,787,242 B2	8/2010	Schwager et al.	
7,872,861 B2	1/2011	Ou et al.	
7,986,517 B2	7/2011	Jiang et al.	
8,050,017 B2	11/2011	Riddiford	
8,050,024 B2 *	11/2011	Hsu et al.	361/679.27
8,073,502 B2	12/2011	Malthe et al.	
8,089,748 B2	1/2012	Chiang	
8,289,685 B2 *	10/2012	Li et al.	361/679.26
D691,127 S *	10/2013	Wu	D14/315
2003/0048595 A1	3/2003	Hsieh et al.	
2005/0041378 A1	2/2005	Hamada et al.	
2005/0128695 A1 *	6/2005	Han	361/683
2009/0040701 A1	2/2009	Lin	

* cited by examiner

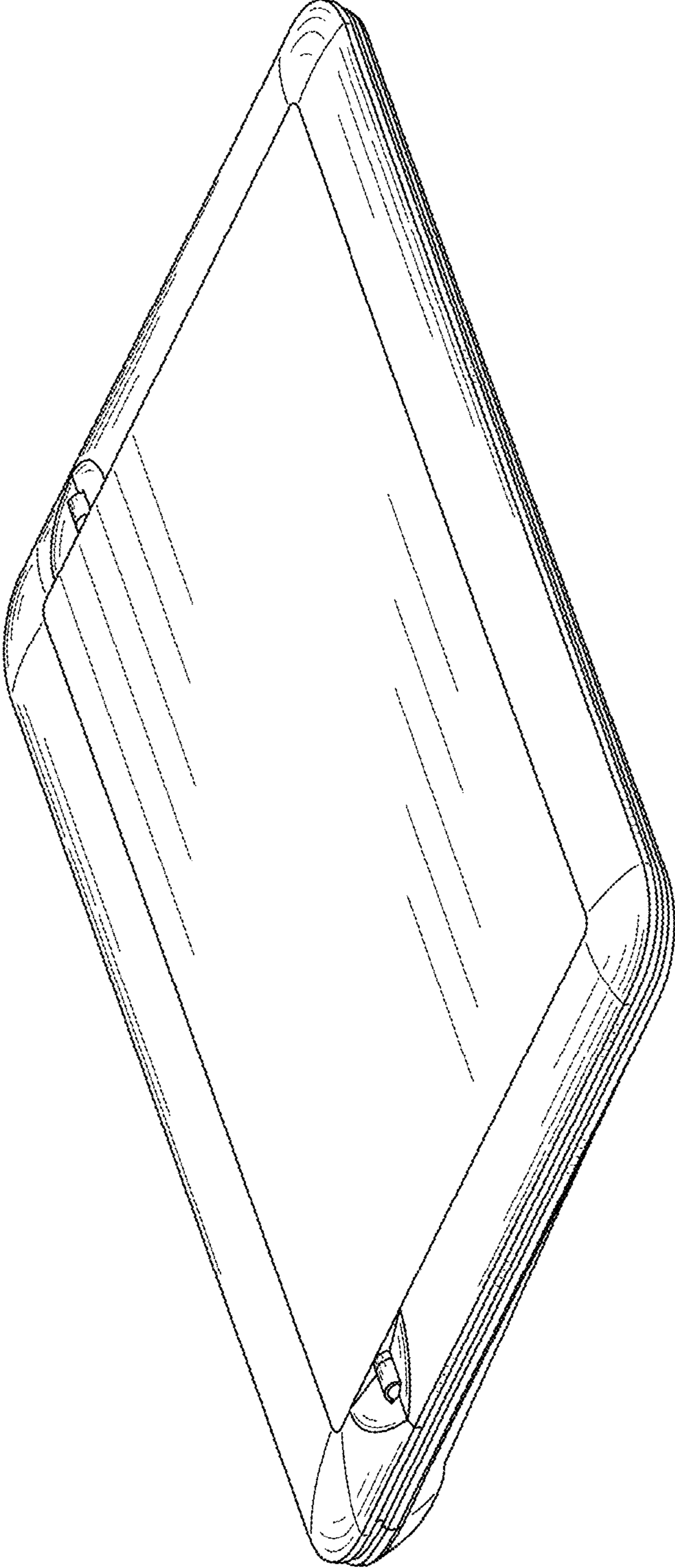


FIG. 1

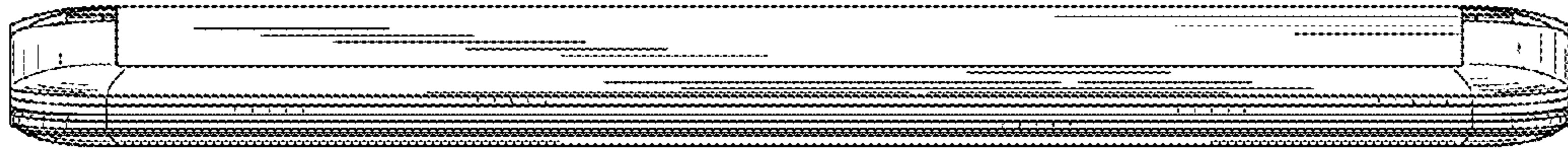


FIG. 2

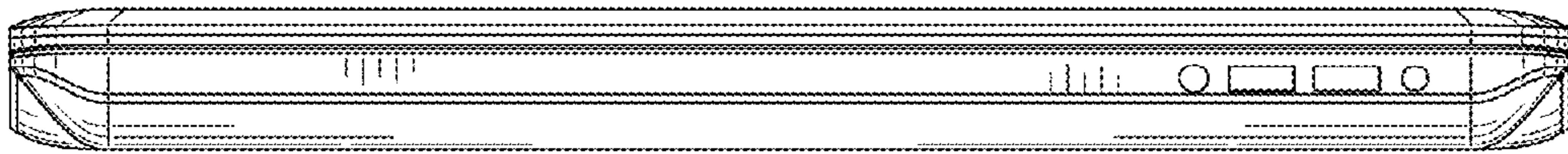


FIG. 3

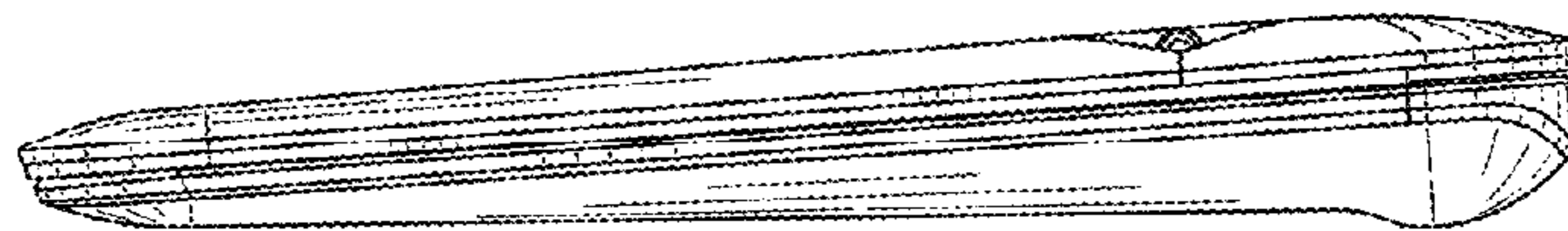


FIG. 4

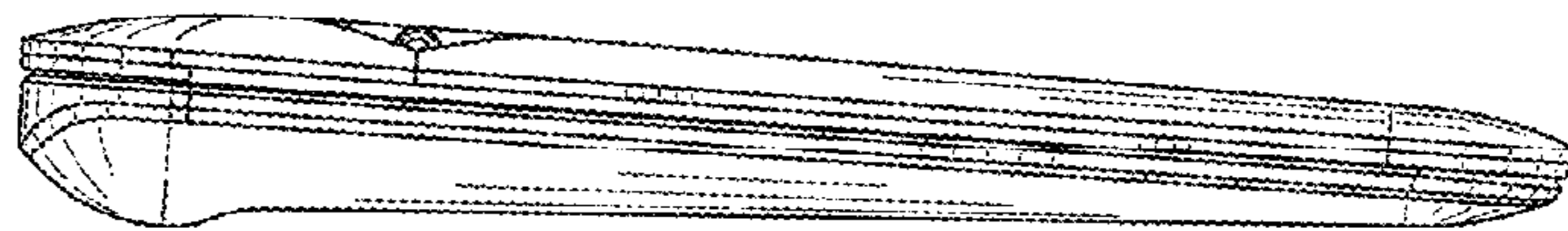


FIG. 5

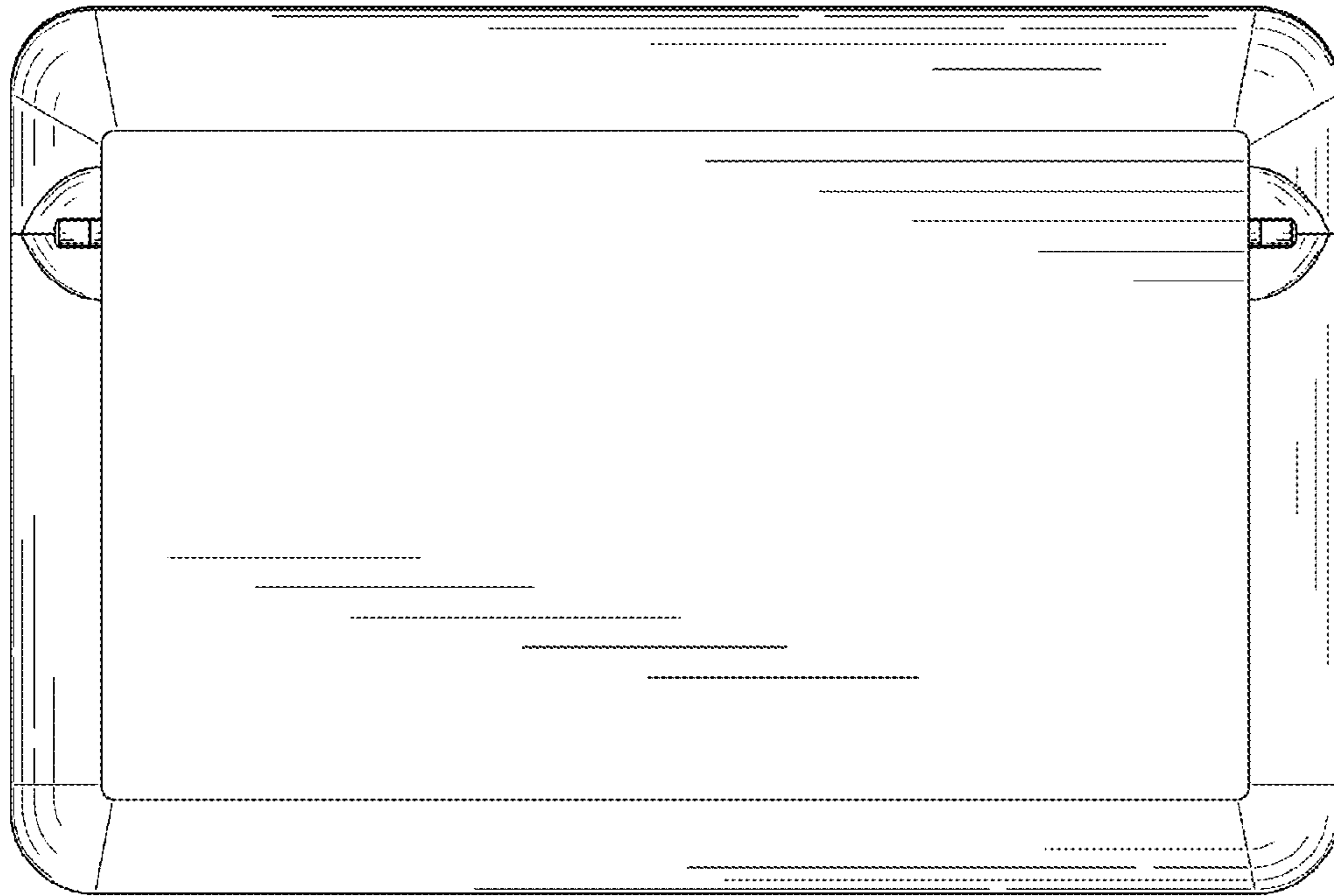


FIG. 6

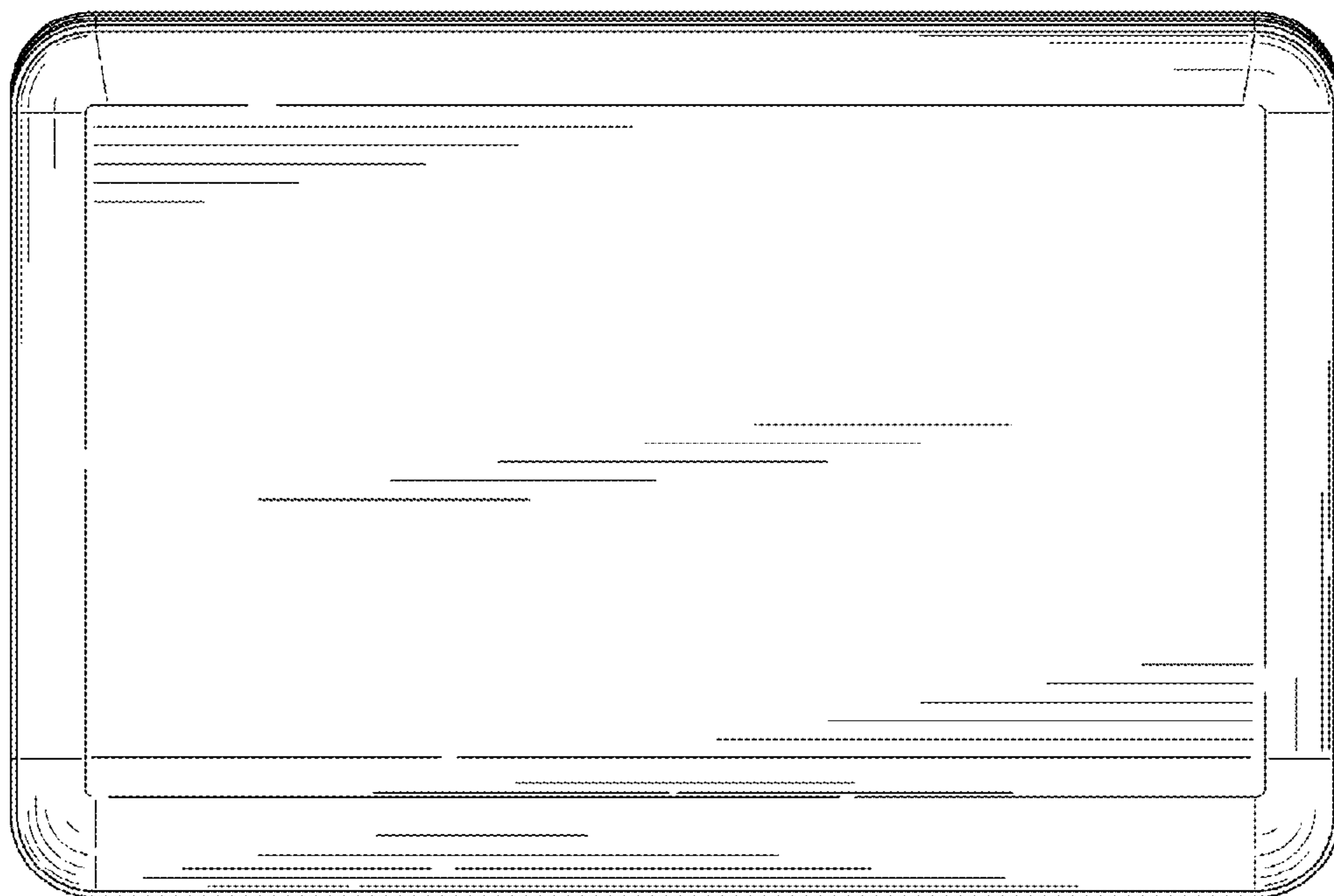


FIG. 7

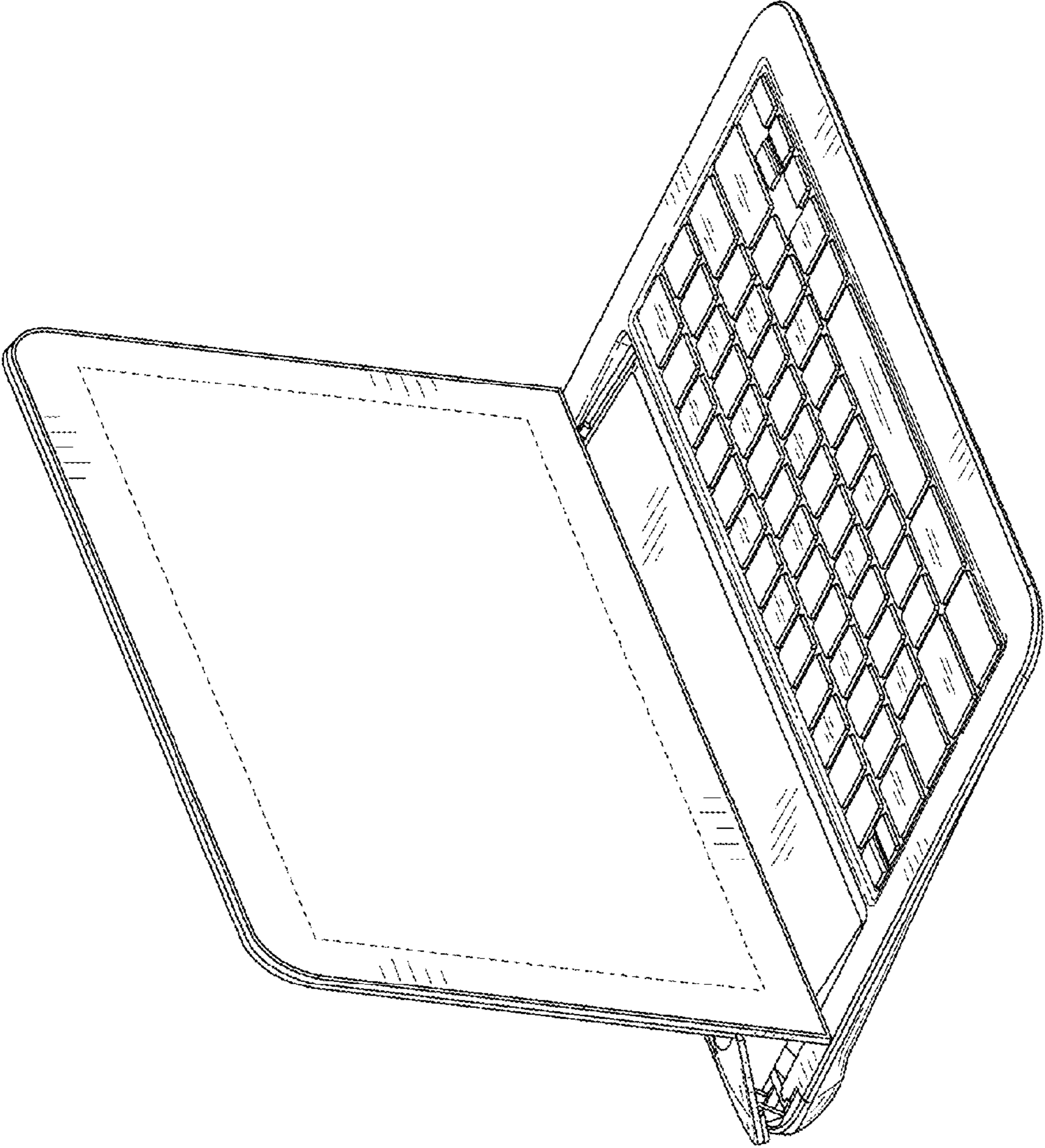


FIG. 8

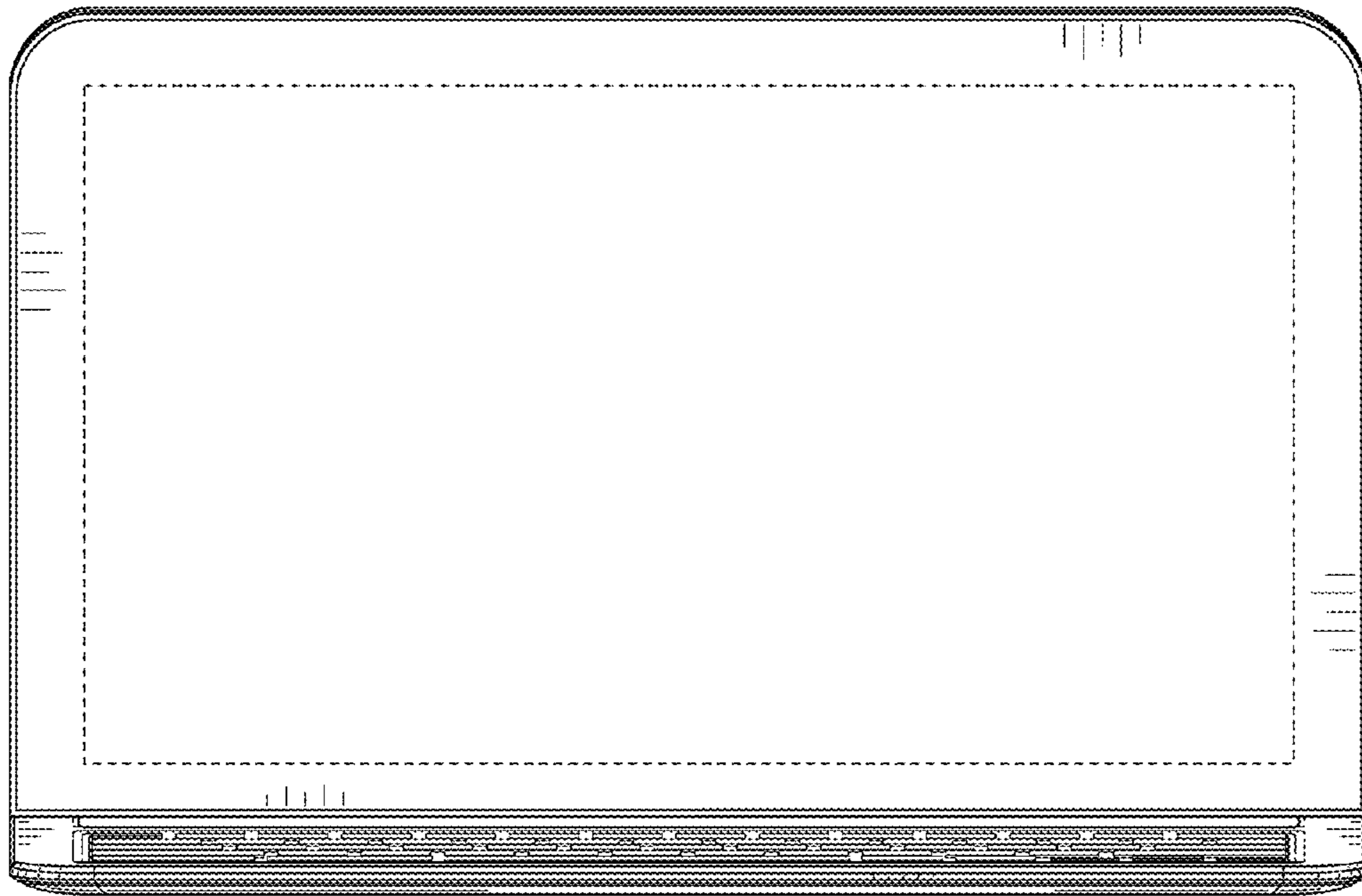


FIG. 9

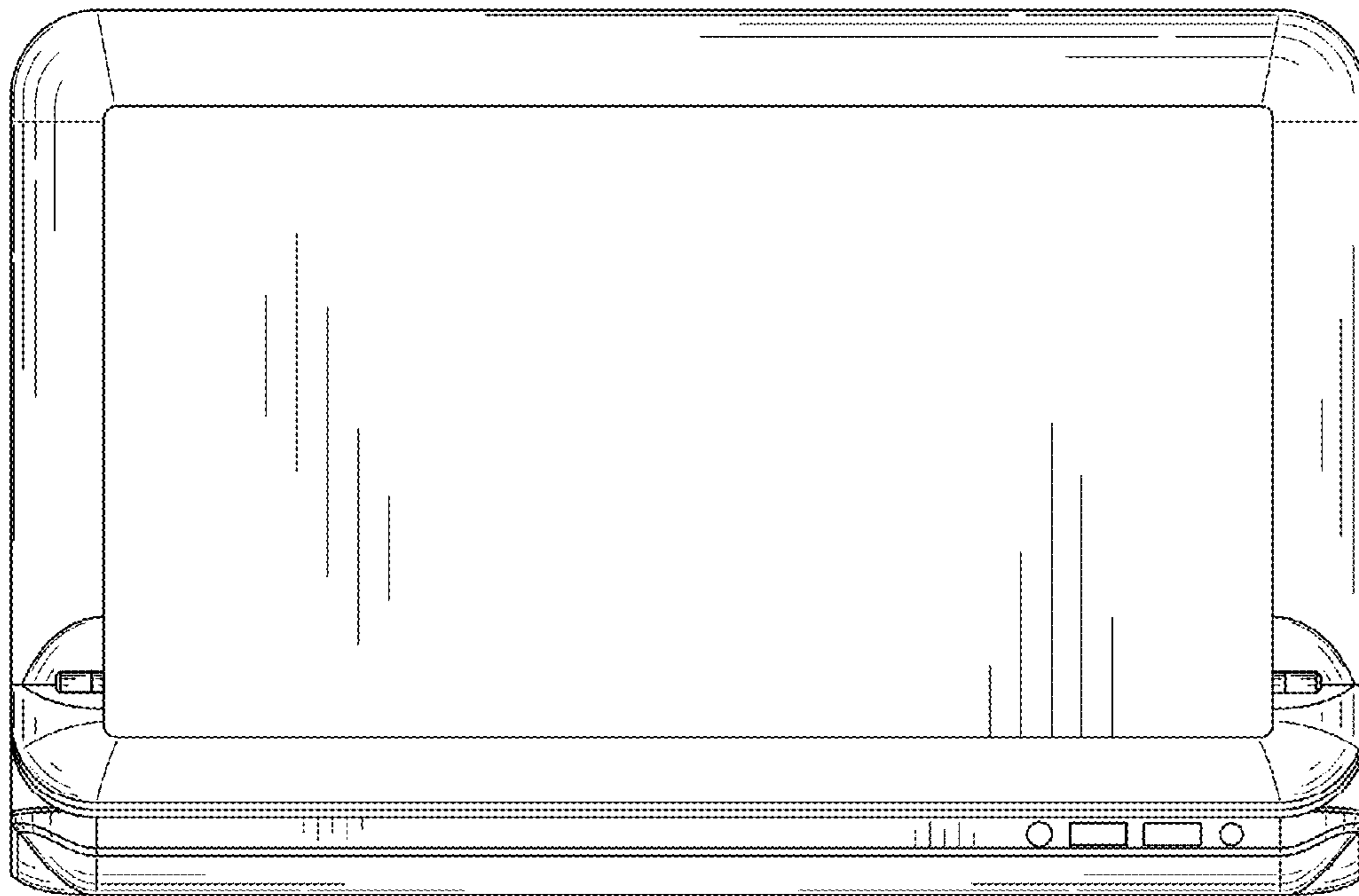


FIG. 10

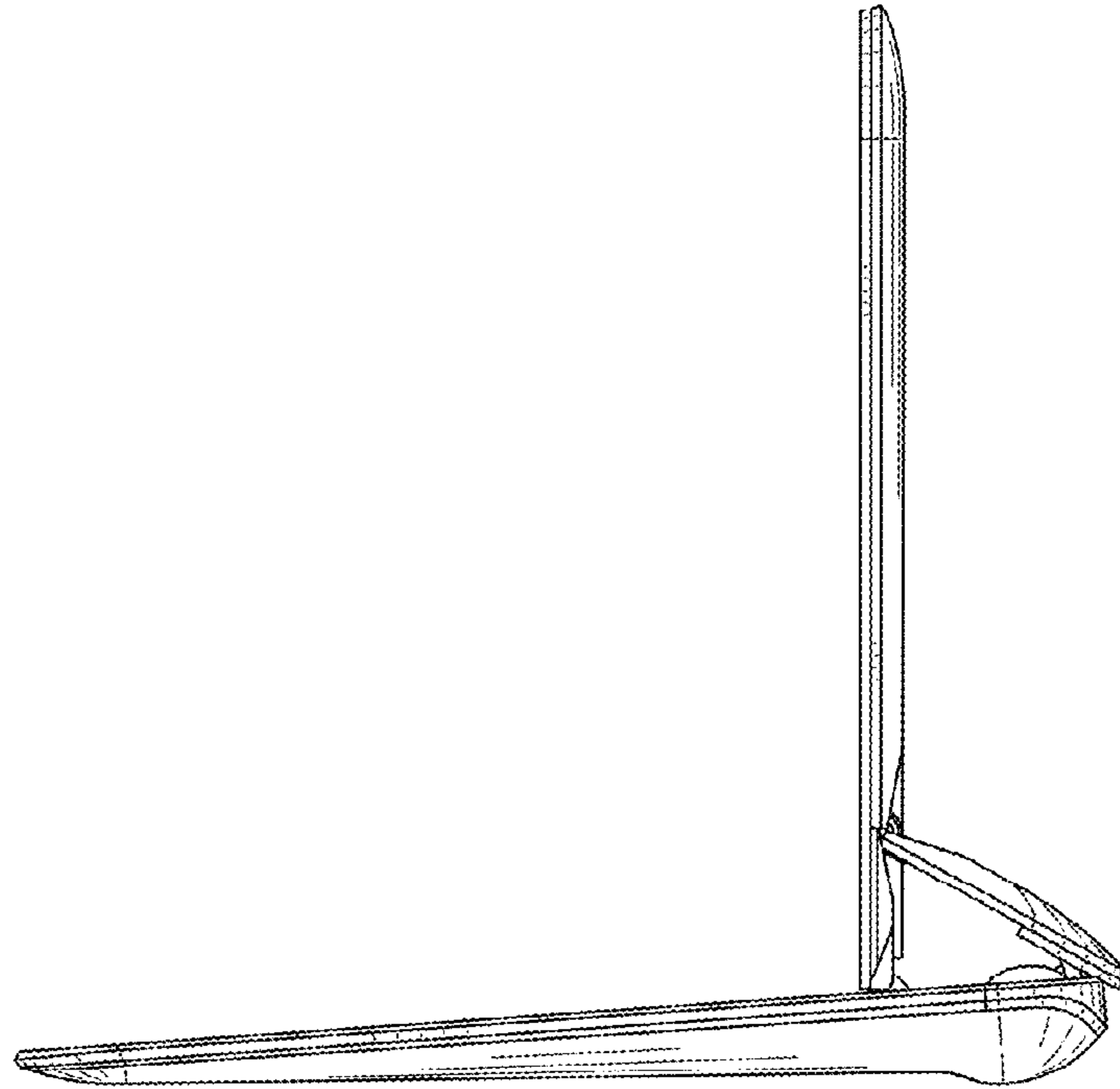


FIG. 11

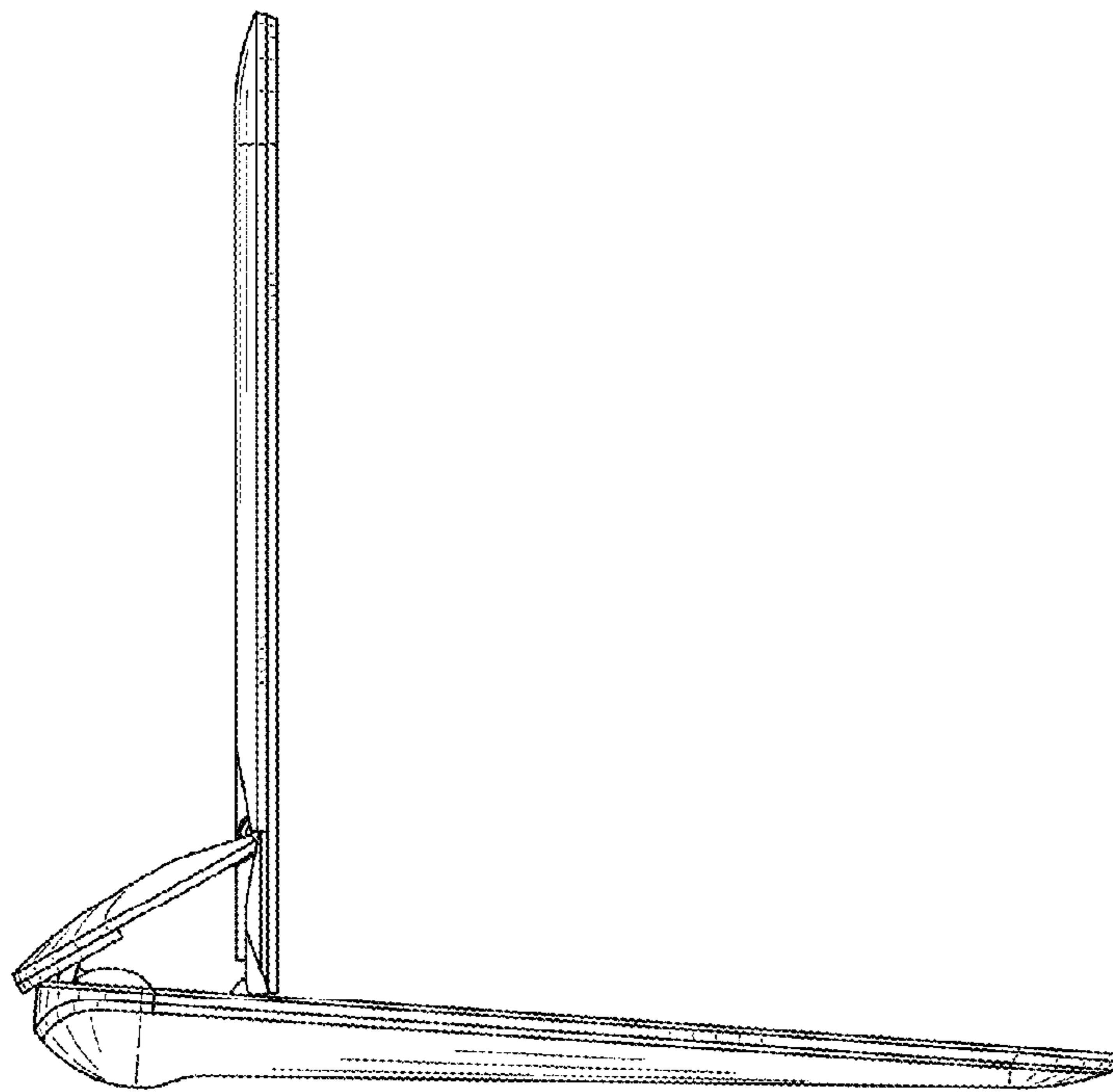


FIG. 12

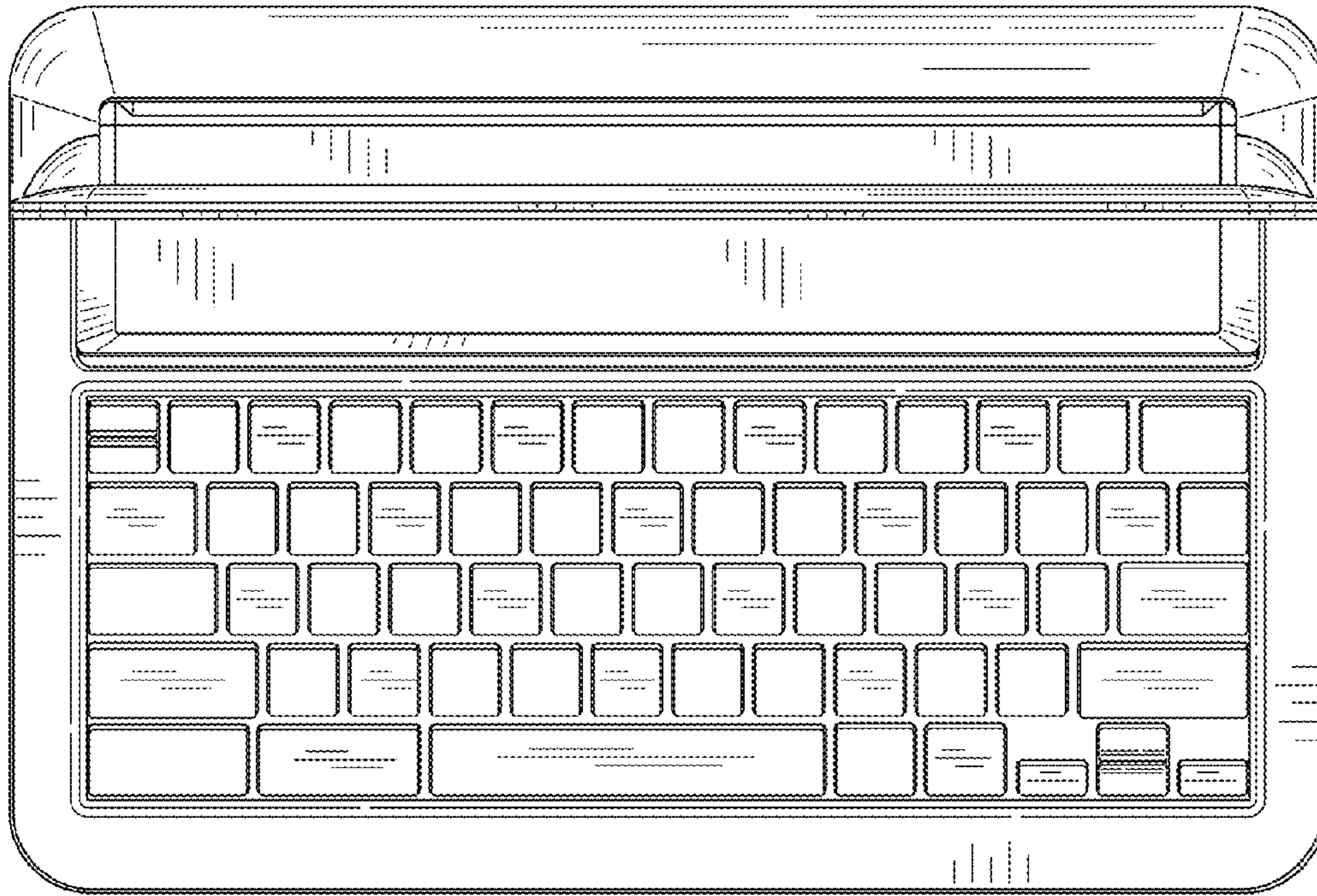


FIG. 13



FIG. 14

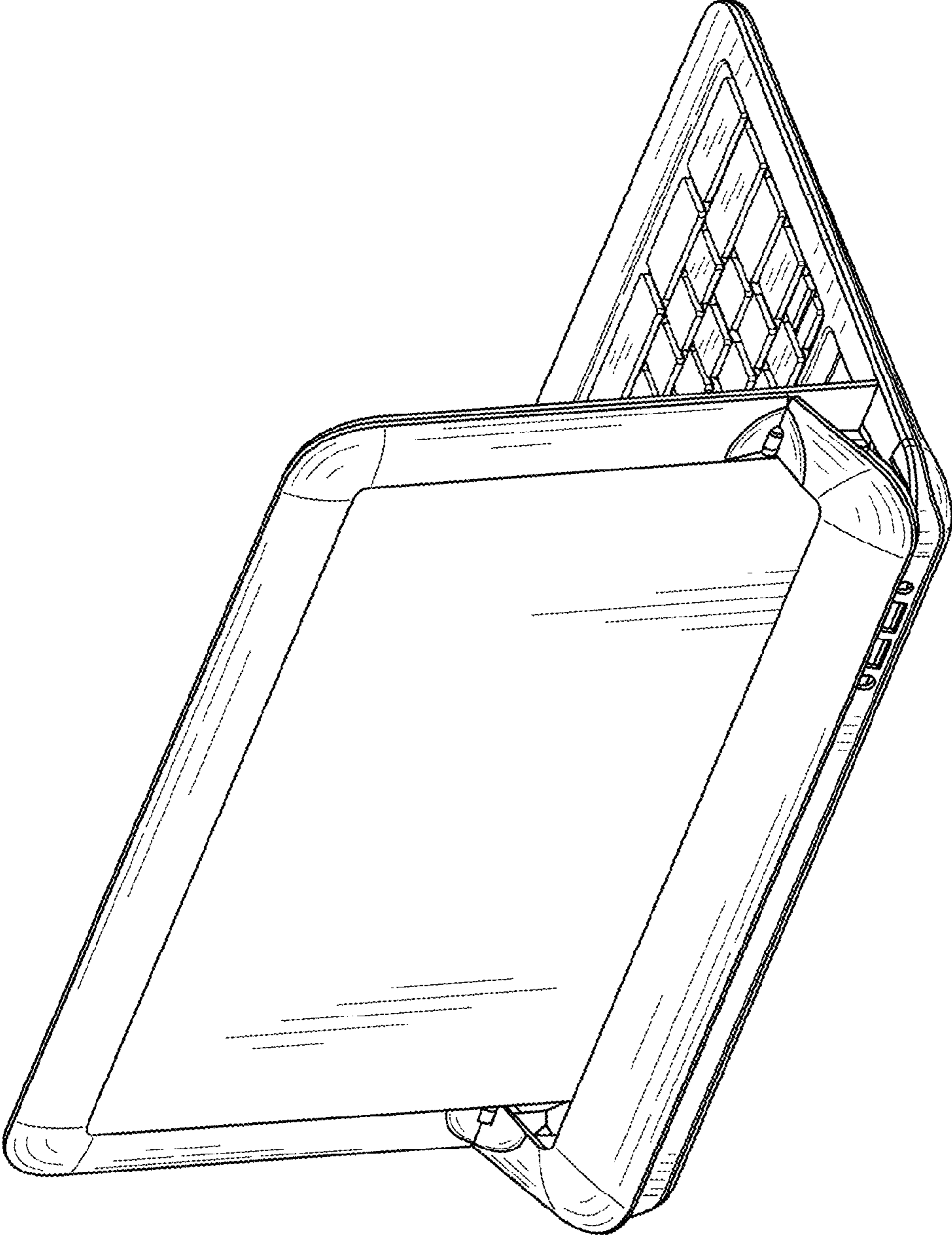


FIG. 15

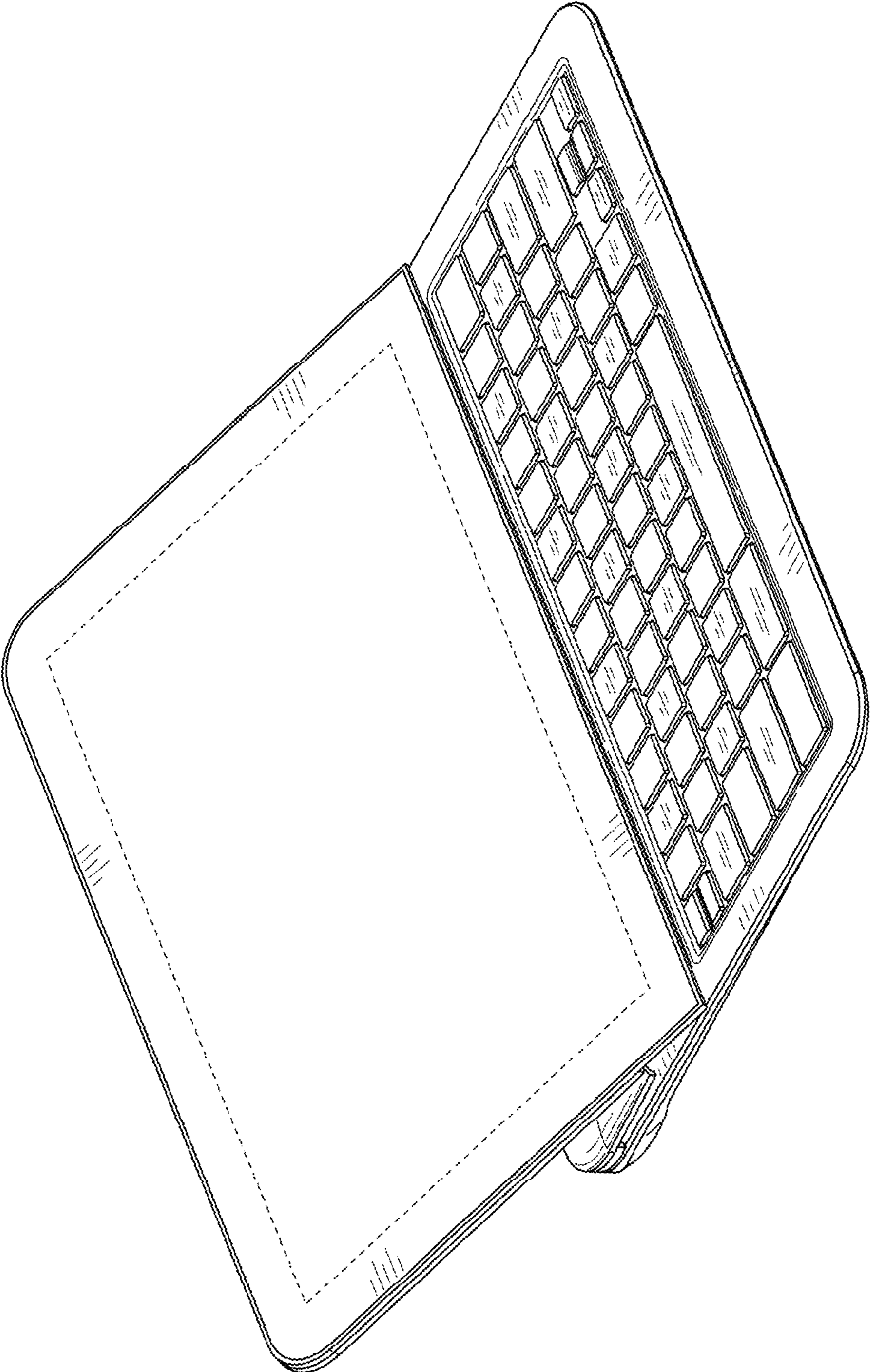


FIG. 16

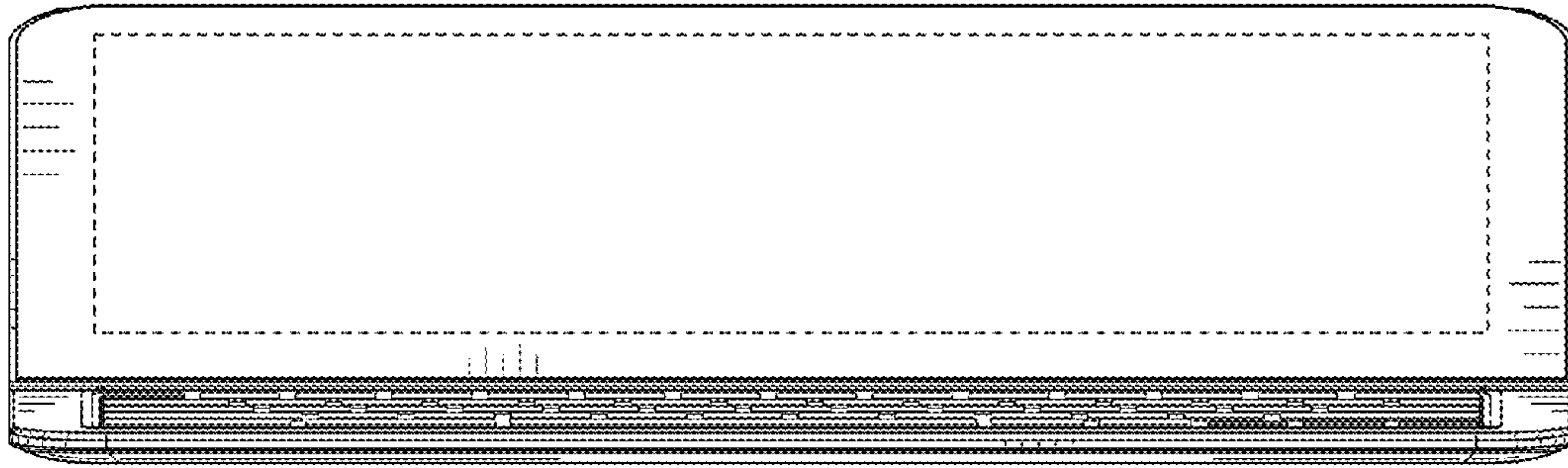


FIG. 17

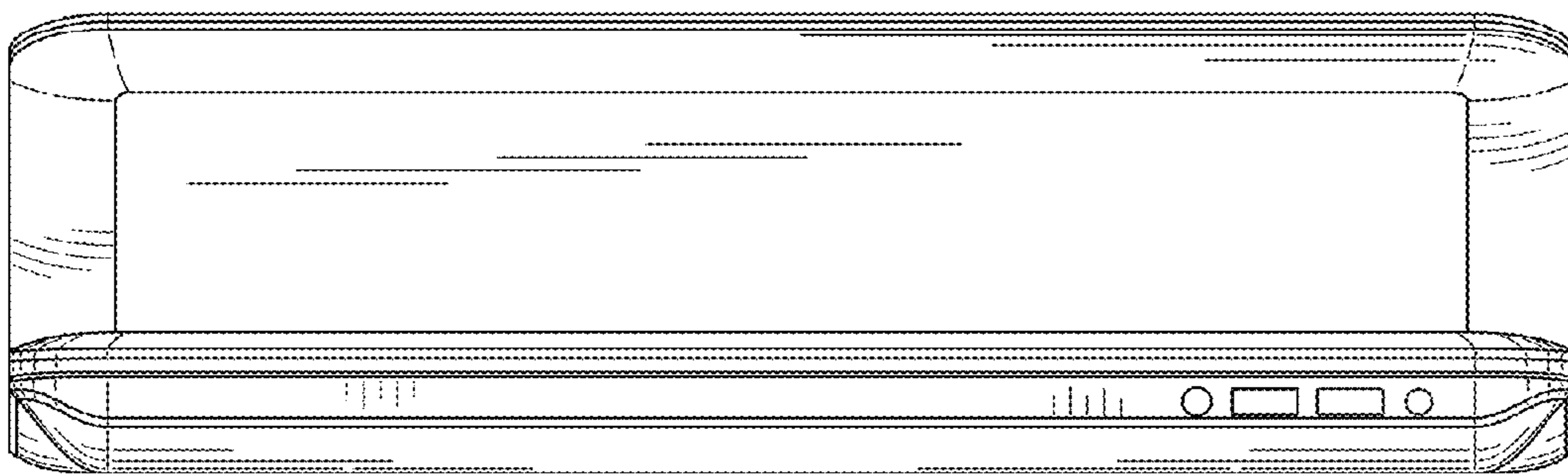


FIG. 18

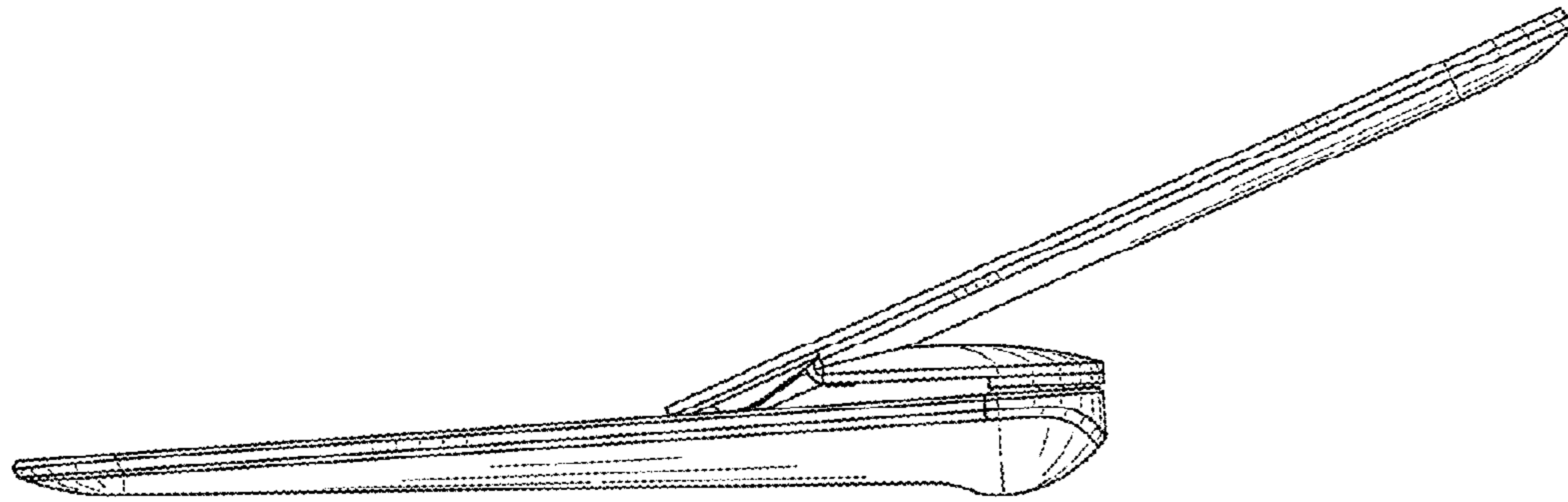


FIG. 19

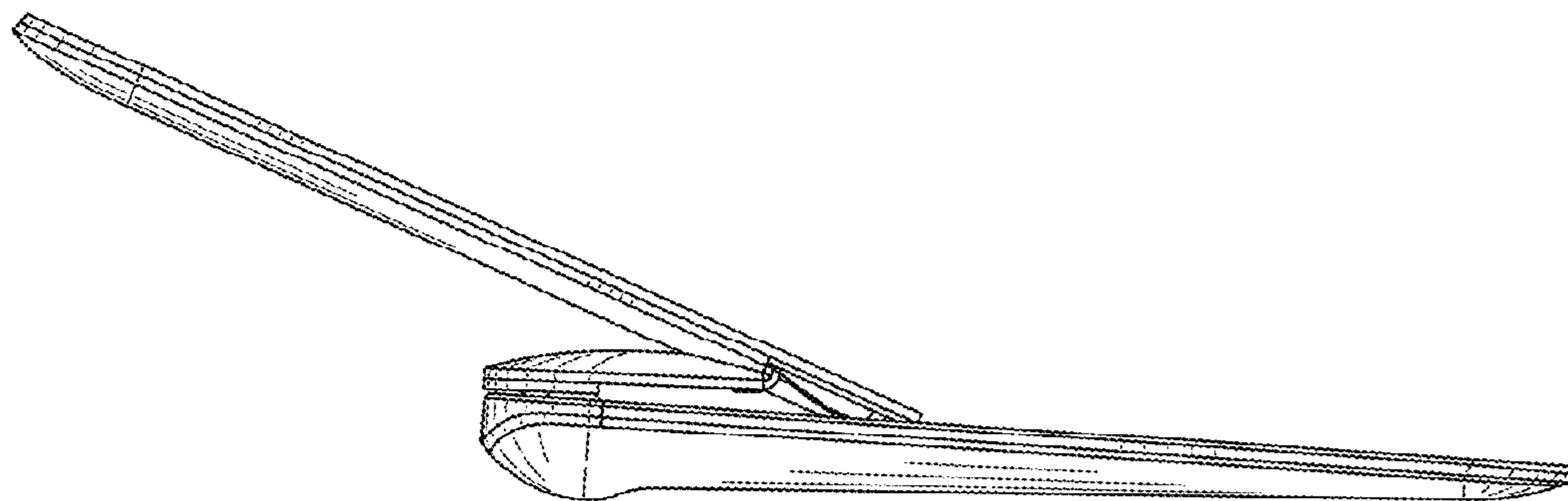


FIG. 20

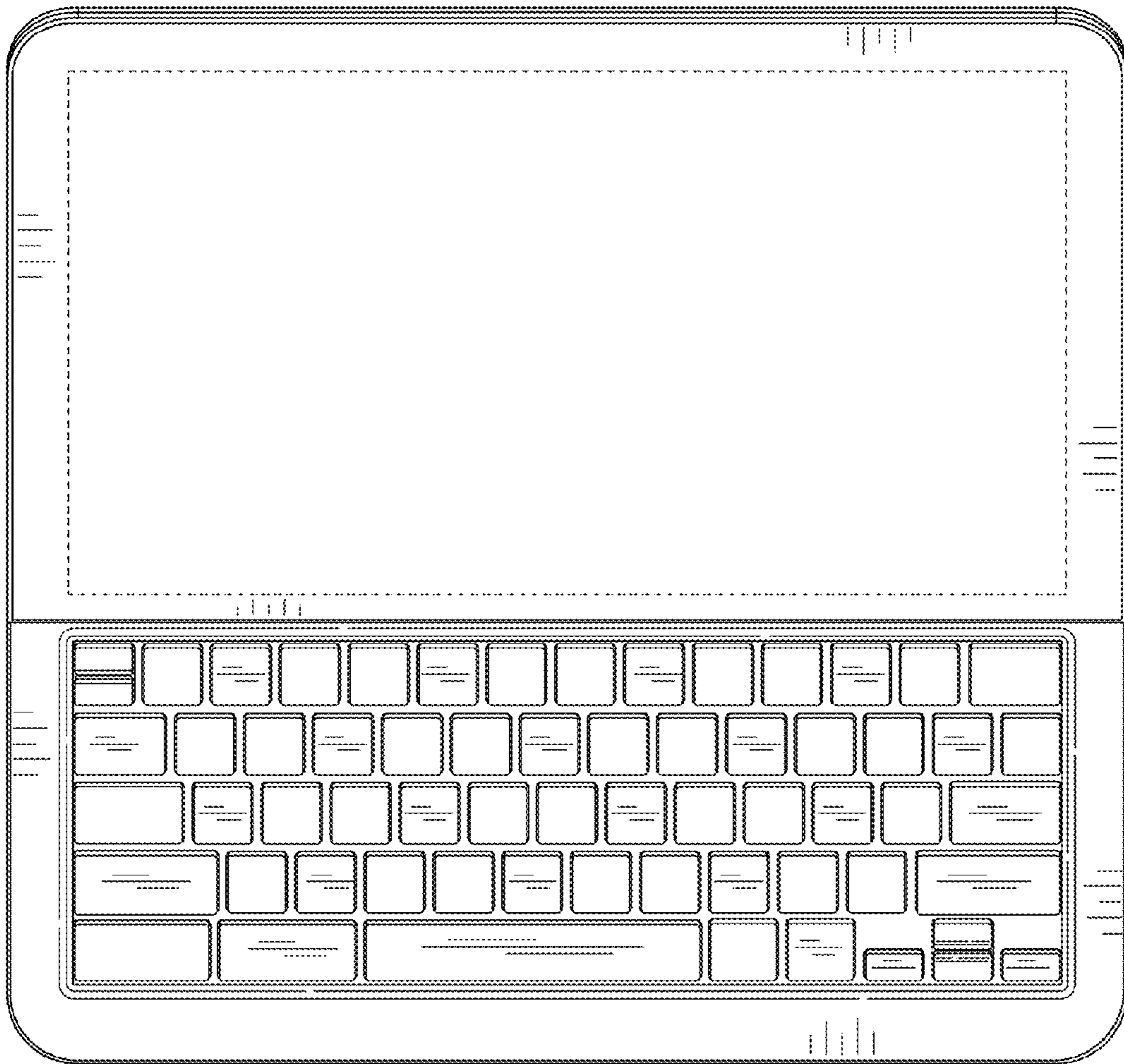


FIG. 21

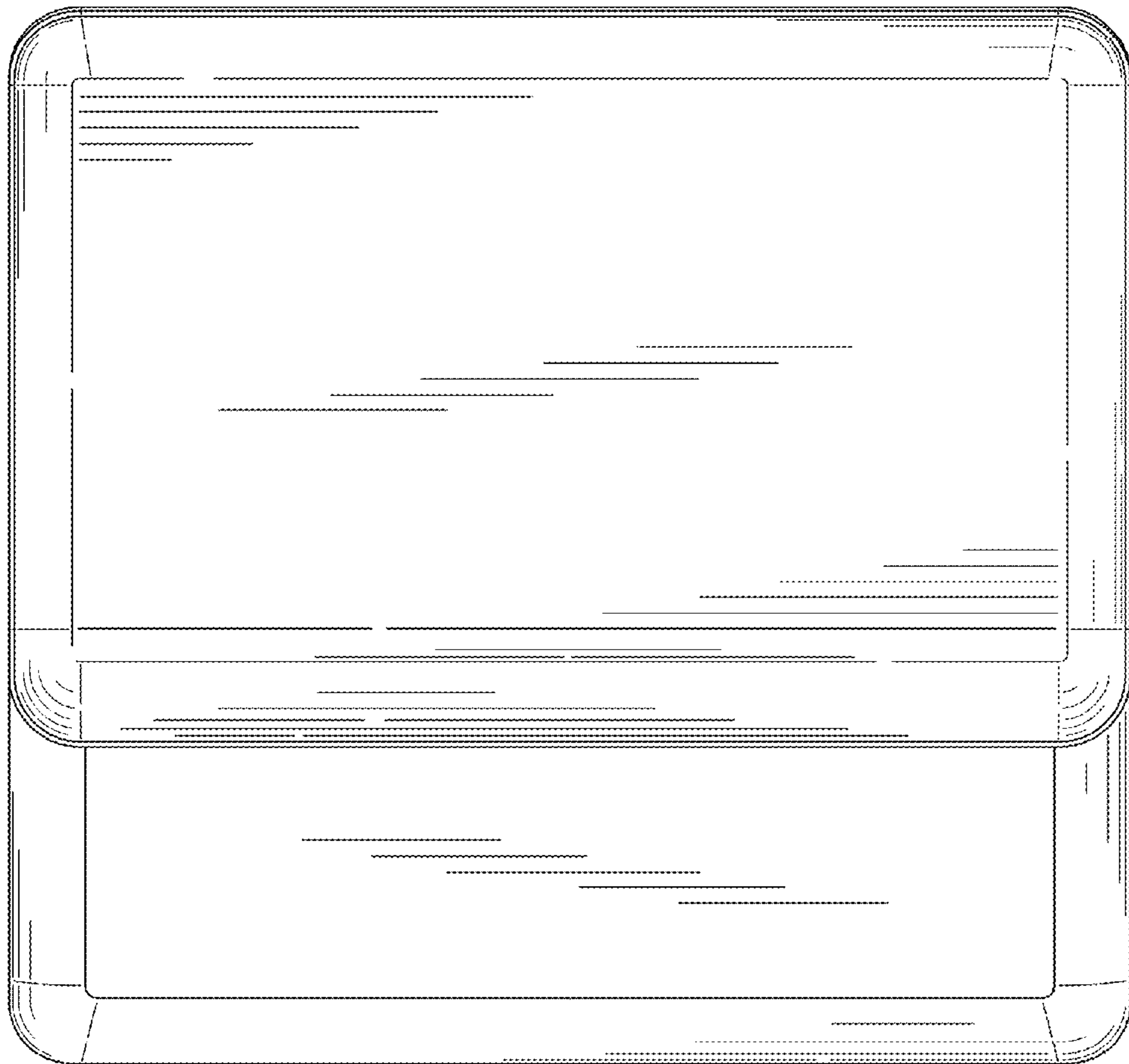


FIG. 22

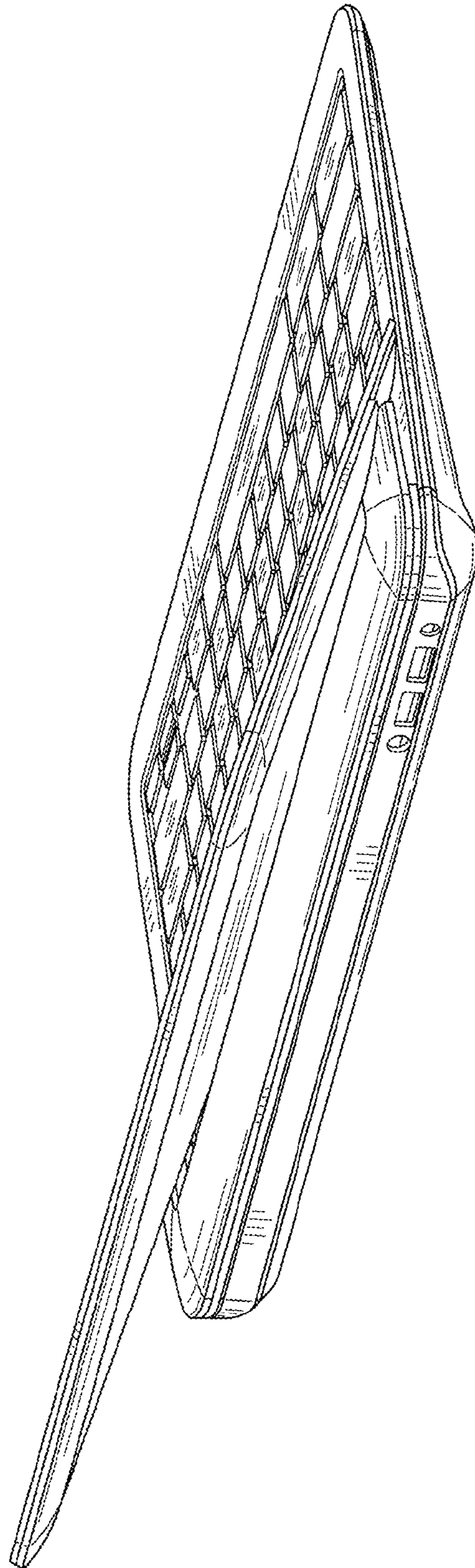


FIG. 23