



US00D732519S

(12) **United States Design Patent**
Aspinall et al.

(10) **Patent No.:** **US D732,519 S**

(45) **Date of Patent:** **** Jun. 23, 2015**

(54) **MOBILE MOUNT**

(71) Applicant: **IOTTIE, INC.**, Hackensack, NJ (US)

(72) Inventors: **John Aspinall**, Staten Island, NY (US);
James Byun, Brooklyn, NY (US); **Kyu Seop Lee**, Basking Ridge, NJ (US); **Alan Yu Tung Ng**, New York, NY (US)

(73) Assignee: **IOTTIE, INC.**, Hackensack, NJ (US)

(**) Term: **14 Years**

(21) Appl. No.: **29/504,393**

(22) Filed: **Oct. 6, 2014**

Related U.S. Application Data

(63) Continuation of application No. 29/487,537, filed on Apr. 9, 2014, now Pat. No. Des. 718,297.

(51) **LOC (10) Cl.** **14-03**

(52) **U.S. Cl.**
USPC **D14/253**

(58) **Field of Classification Search**
USPC D14/137, 140, 140.8, 142, 204, 209.1,
D14/217, 221, 243-256, 434, 440, 444-447,
D14/238.1; D8/400-404, 499; D2/861;
D3/215, 218, 304, 269; D6/467, 300,
D6/310, 553-574; D25/318; 292/342, 343;
248/188.2; 348/373, 376; D12/415,
D12/411; D19/87, 90; 455/573, 575.1,
455/575.9

See application file for complete search history.

(56) **References Cited**

U.S. PATENT DOCUMENTS

7,219,867 B2 * 5/2007 Kalis et al. 248/288.31
D566,647 S * 4/2008 Lee D12/415
7,475,858 B2 * 1/2009 Kalis et al. 248/288.31

(Continued)

Primary Examiner — Susan Bennett Hattan

Assistant Examiner — Janice Hallmark

(74) *Attorney, Agent, or Firm* — Lucas & Mercanti, LLP

(57) **CLAIM**

The ornamental design for mobile mount, as shown and described.

DESCRIPTION

FIG. 1 is a perspective view of the top, front, and right side of the mobile mount of the present invention in the withdrawn state;

FIG. 2 is a perspective view of the top, rear, and right side of the mobile mount of FIG. 1;

FIG. 3 is a perspective view of a front and a right side of the mobile mount of FIG. 1;

FIG. 4 is a perspective view of a front and a left side of the mobile mount of FIG. 1;

FIG. 5 is a side view of the left side of the mobile mount of FIG. 1;

FIG. 6 is a front view of the mobile mount of FIG. 1;

FIG. 7 is a top view of the mobile mount of FIG. 1;

FIG. 8 is a rear view of the mobile mount of FIG. 1;

FIG. 9 is a side view of the right side of the mobile mount of FIG. 1;

FIG. 10 is a bottom view of the mobile mount of FIG. 1;

FIG. 11 is a perspective view of the top, front, and right side of the mobile mount of FIG. 1 shown in an environment of use;

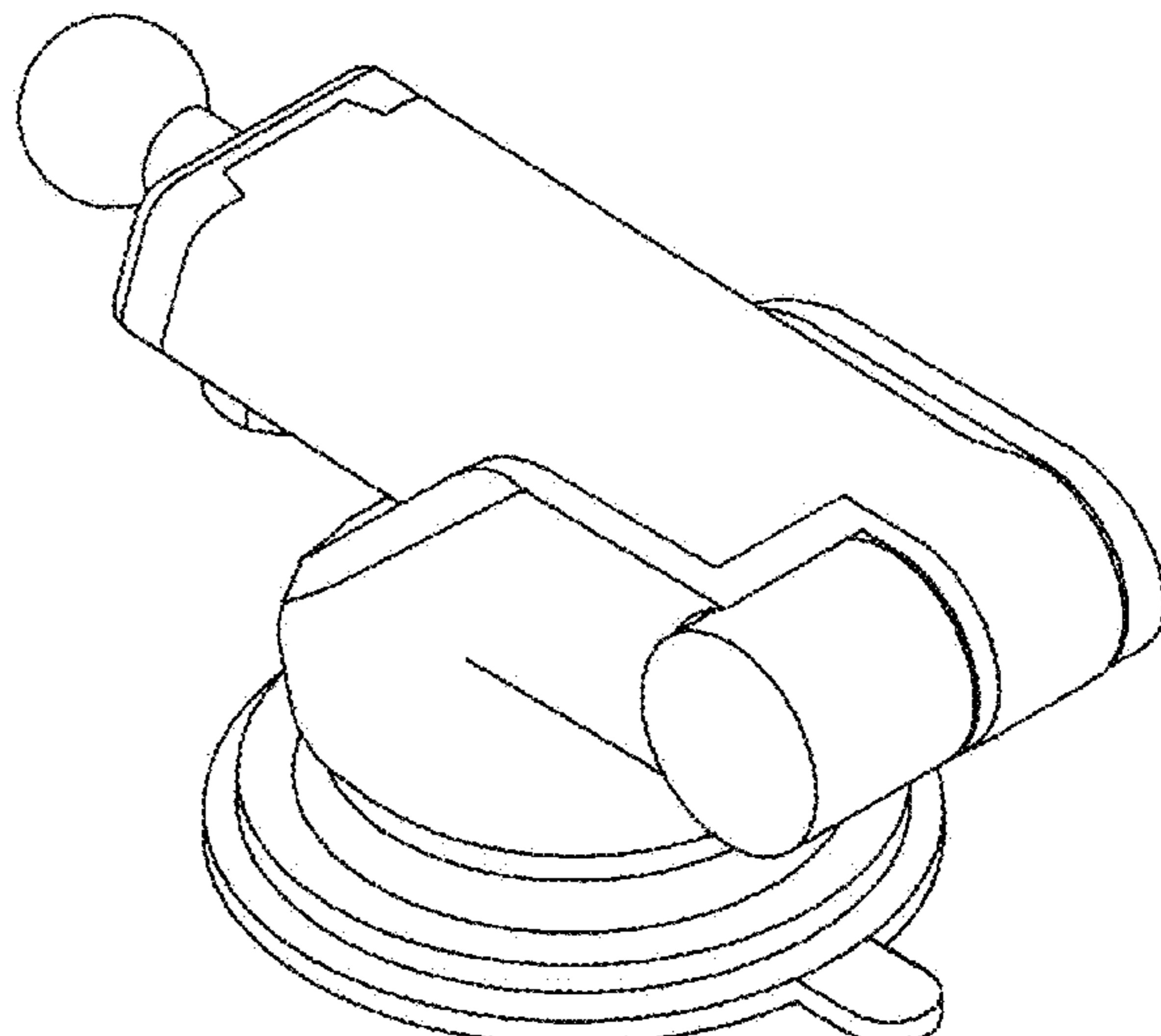
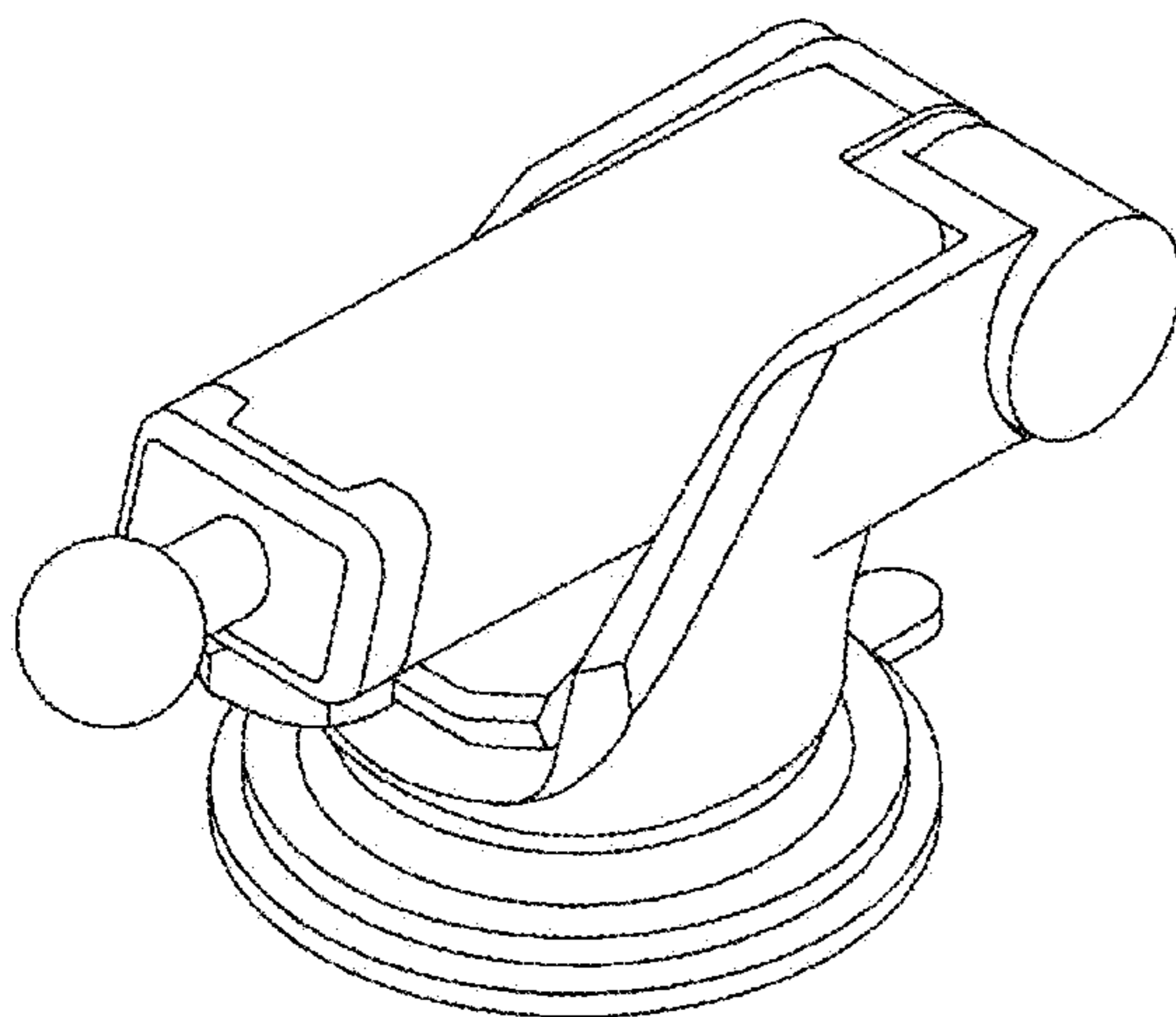
FIG. 12 is a perspective view of the top, rear, and right side of the mobile mount of FIG. 1 shown in an environment of use;

FIG. 13 is a perspective view of the top, front, and right side of the mobile mount of the present invention in an extended state; and,

FIG. 14 is a perspective view of the top, rear, and right side of the mobile mount of FIG. 13.

The broken line showing of the mobile holder in FIGS. 11, 12, 13 and 14 depicts environmental subject matter only and forms no part of the claimed design.

1 Claim, 14 Drawing Sheets



(56)

References Cited

U.S. PATENT DOCUMENTS

D588,903 S * 3/2009 Carnevali D8/355
 D590,696 S * 4/2009 Carnevali D8/354
 D592,205 S * 5/2009 O'Brien D14/253
 D603,322 S * 11/2009 Nicieja D12/415
 D614,613 S * 4/2010 Kim et al. D14/253
 D650,372 S * 12/2011 Molter D14/239
 8,091,843 B2 * 1/2012 Tsai 248/206.2
 D654,119 S * 2/2012 Lin D21/333
 D654,120 S * 2/2012 Lin D21/333
 D657,783 S * 4/2012 Mo D14/251

D683,724 S * 6/2013 Wada D14/251
 D708,603 S * 7/2014 Kim D14/253
 D709,074 S * 7/2014 Tsui et al. D14/447
 D713,837 S * 9/2014 Chul Kim D14/253
 D718,297 S * 11/2014 Aspinall et al. D14/253
 D718,298 S * 11/2014 Aspinall et al. D14/253
 2005/0236536 A1 * 10/2005 Fan 248/176.3
 2008/0245935 A1 * 10/2008 Kaneda et al. 248/206.2
 2009/0050758 A1 * 2/2009 Carnevali 248/205.8
 2009/0108151 A1 * 4/2009 Carnevali 248/205.3
 2010/0252700 A1 * 10/2010 Wang 248/206.2
 2014/0145051 A1 * 5/2014 Gwag 248/298.1

* cited by examiner

Fig. 1

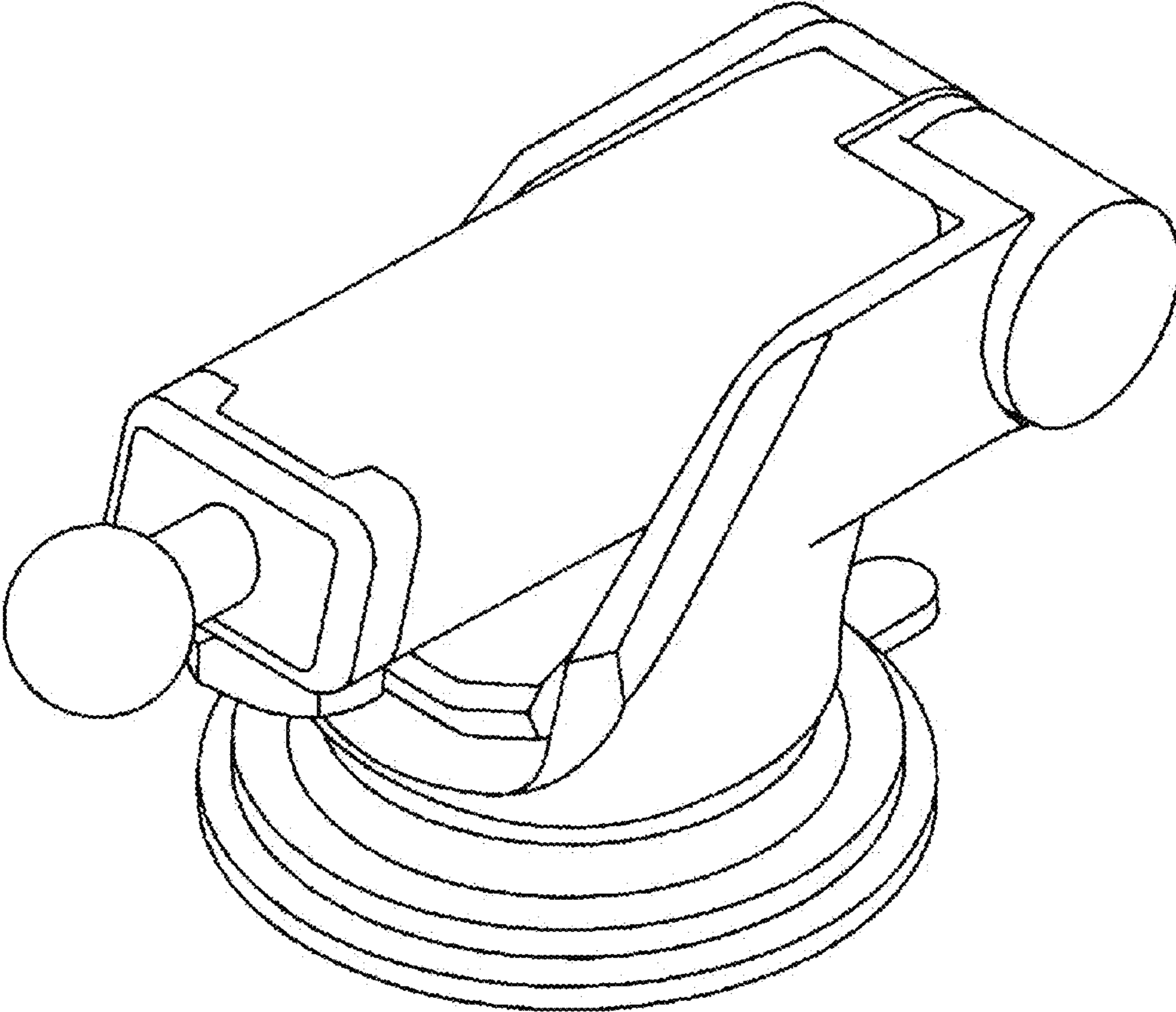


Fig. 2

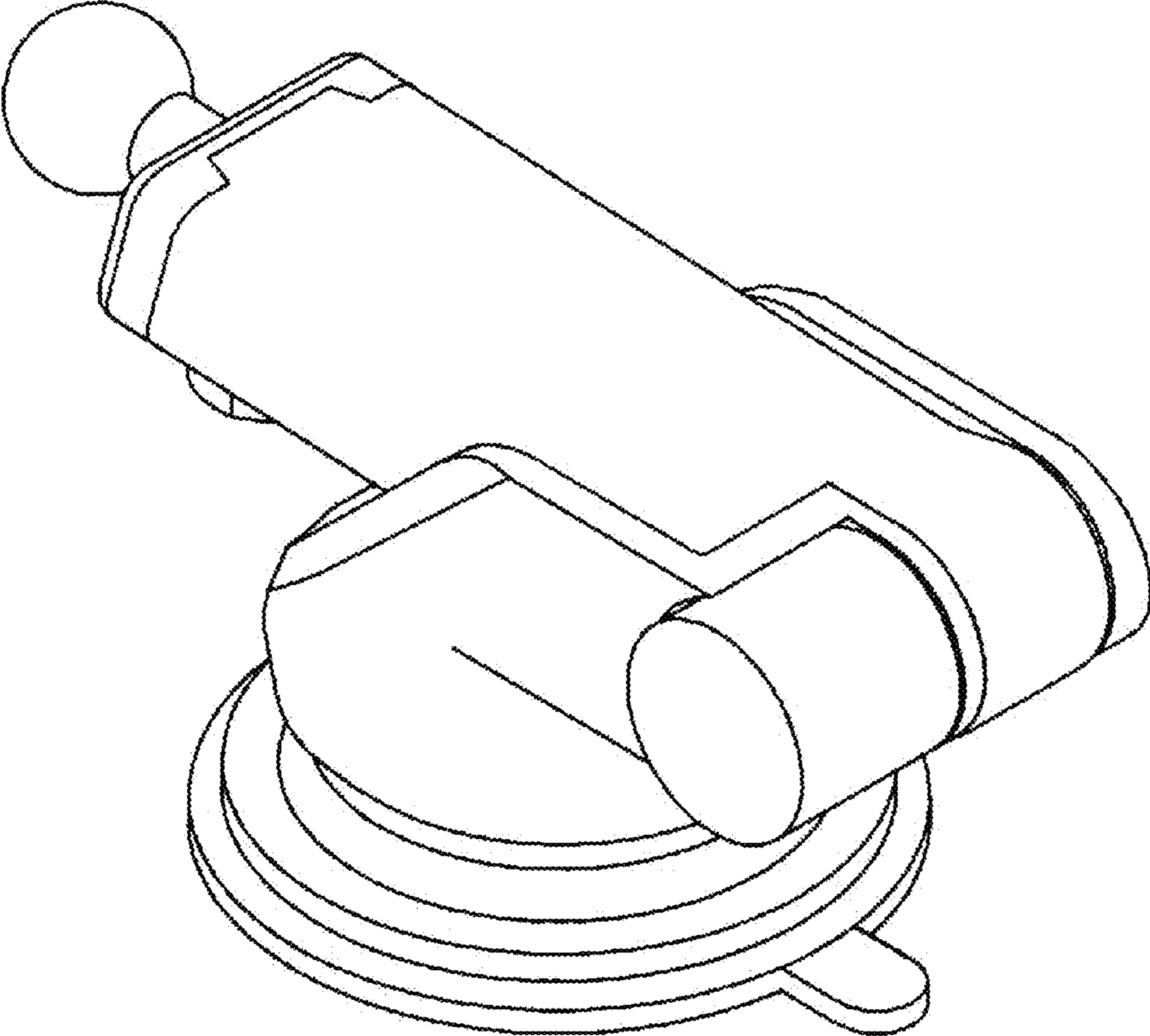


Fig. 3

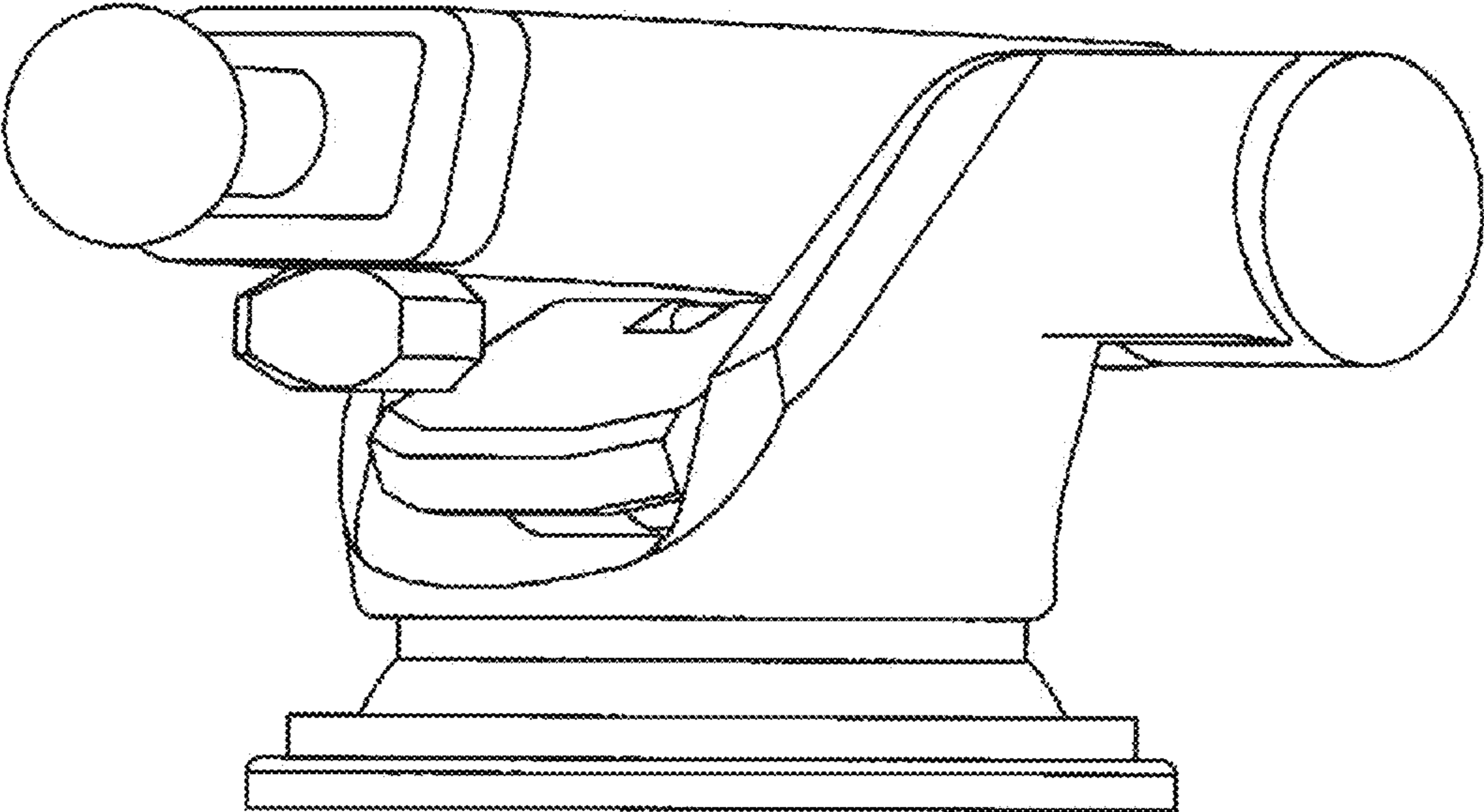


Fig. 4

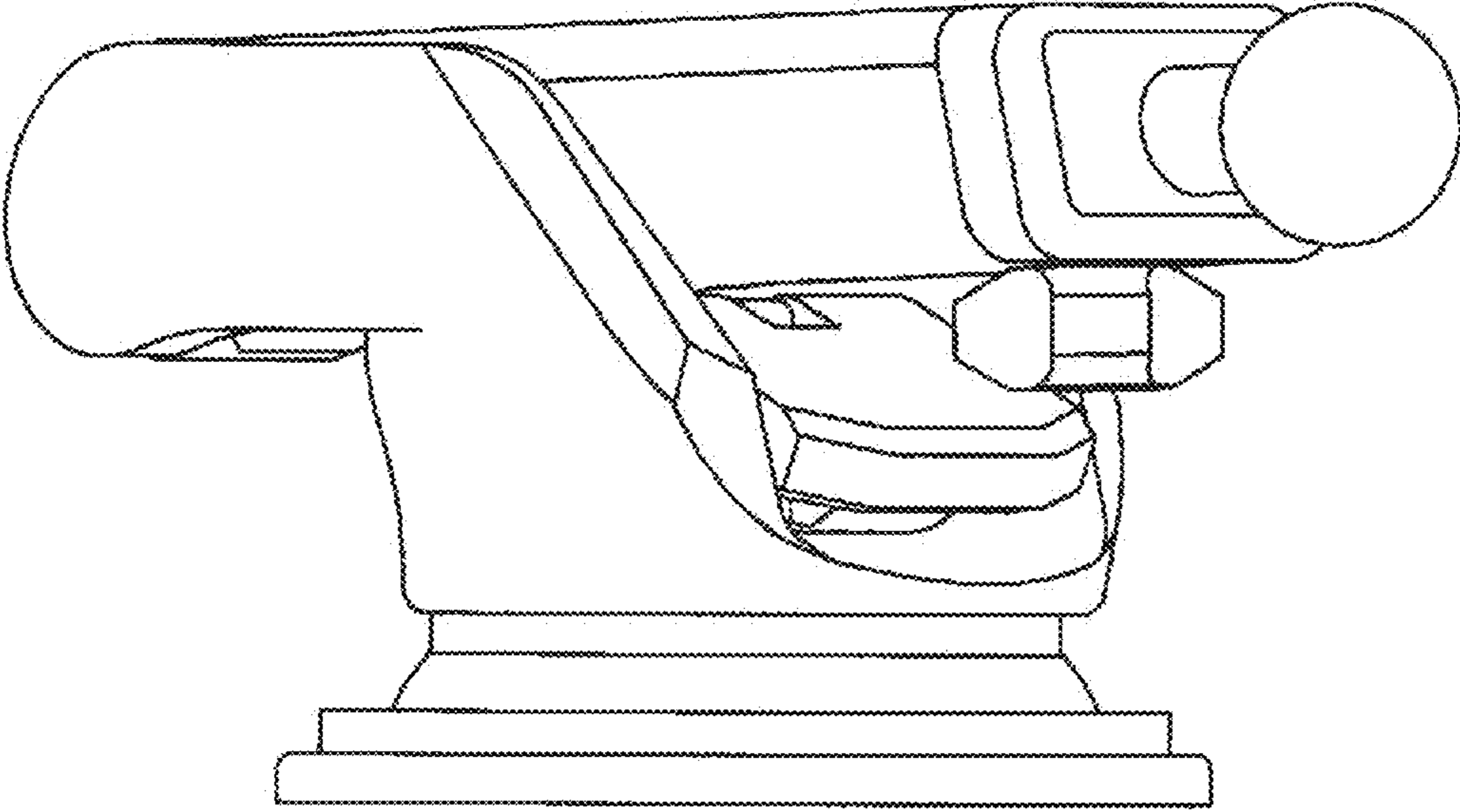


Fig. 5

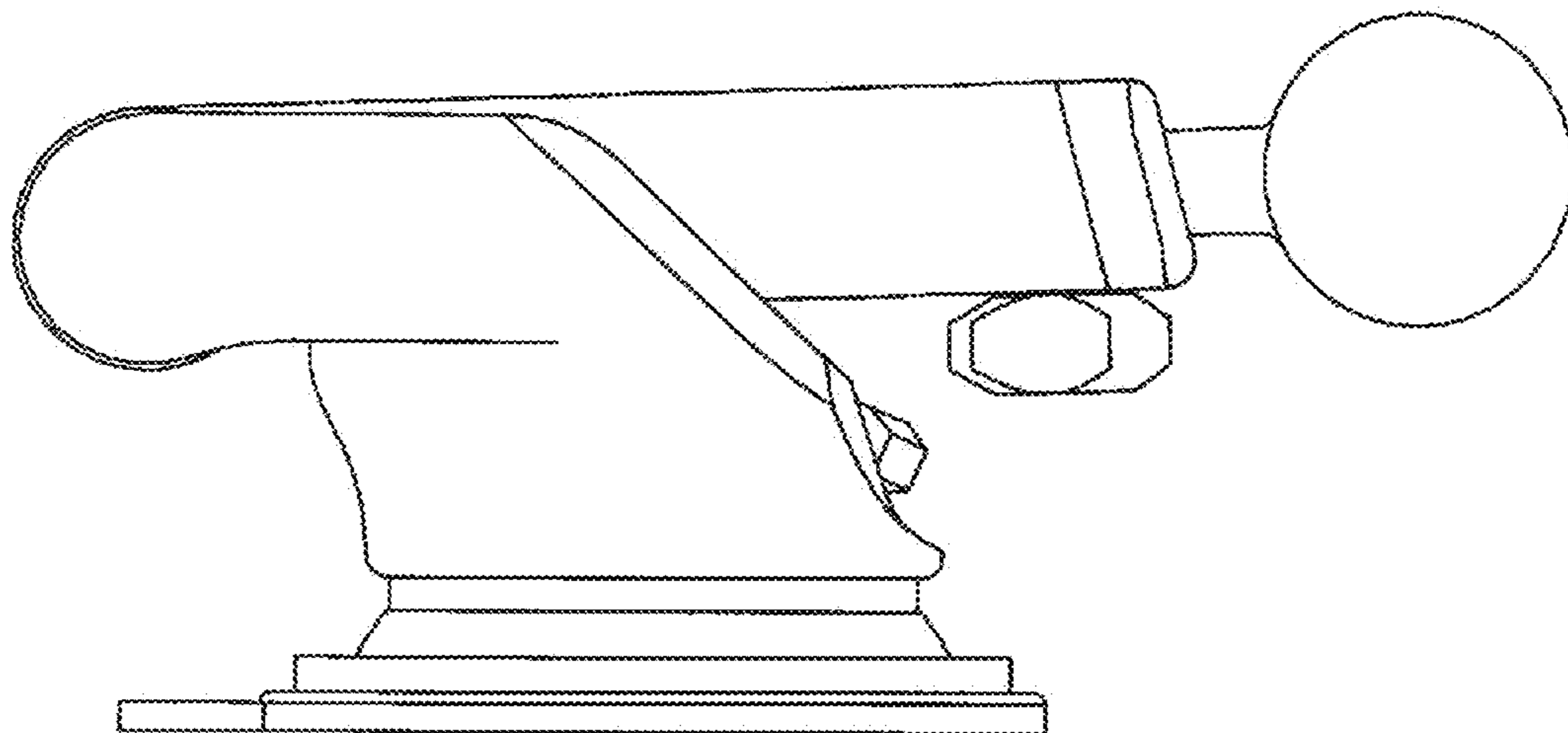


Fig. 6

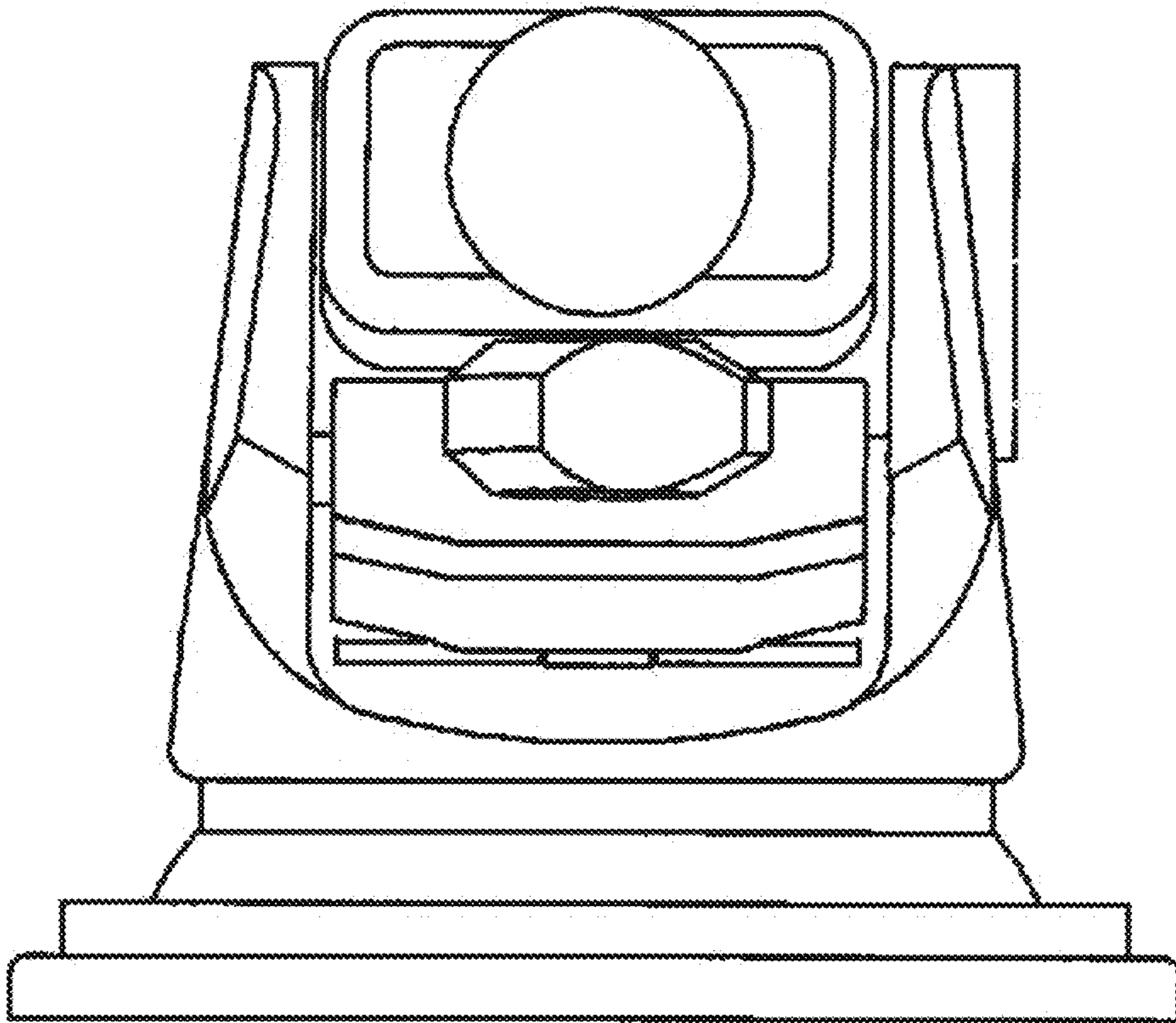


Fig. 7

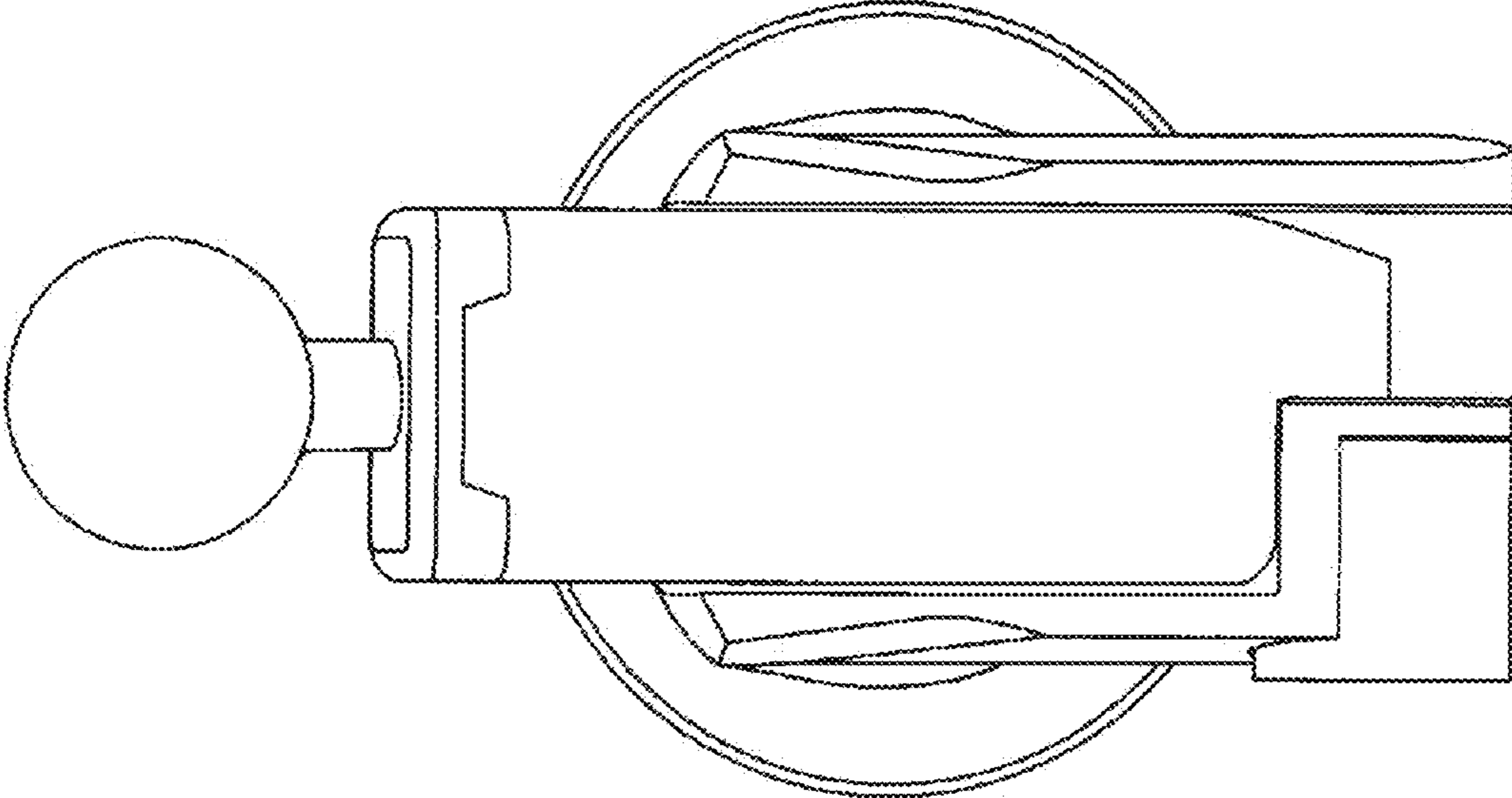


Fig. 8

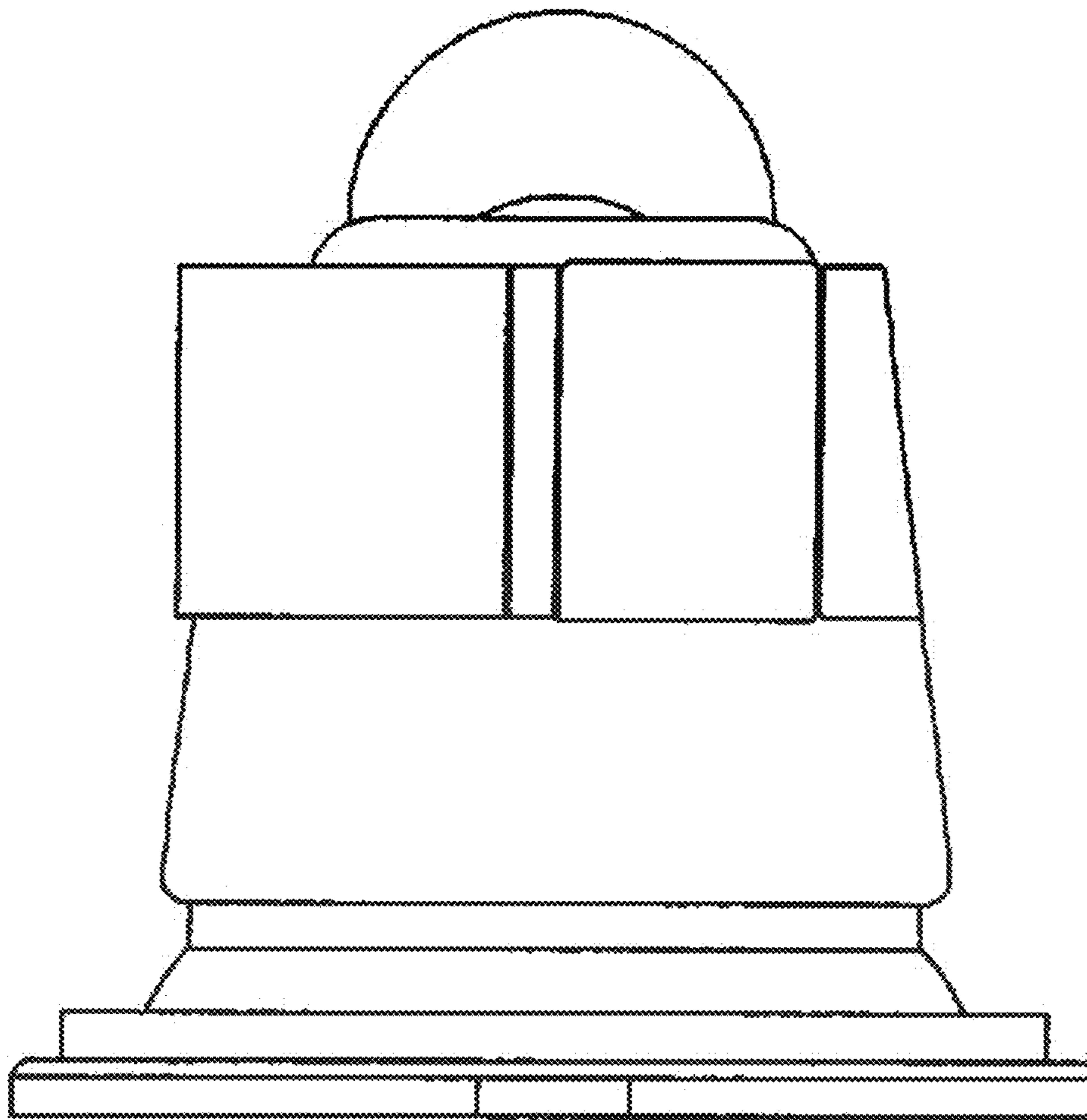


Fig. 9

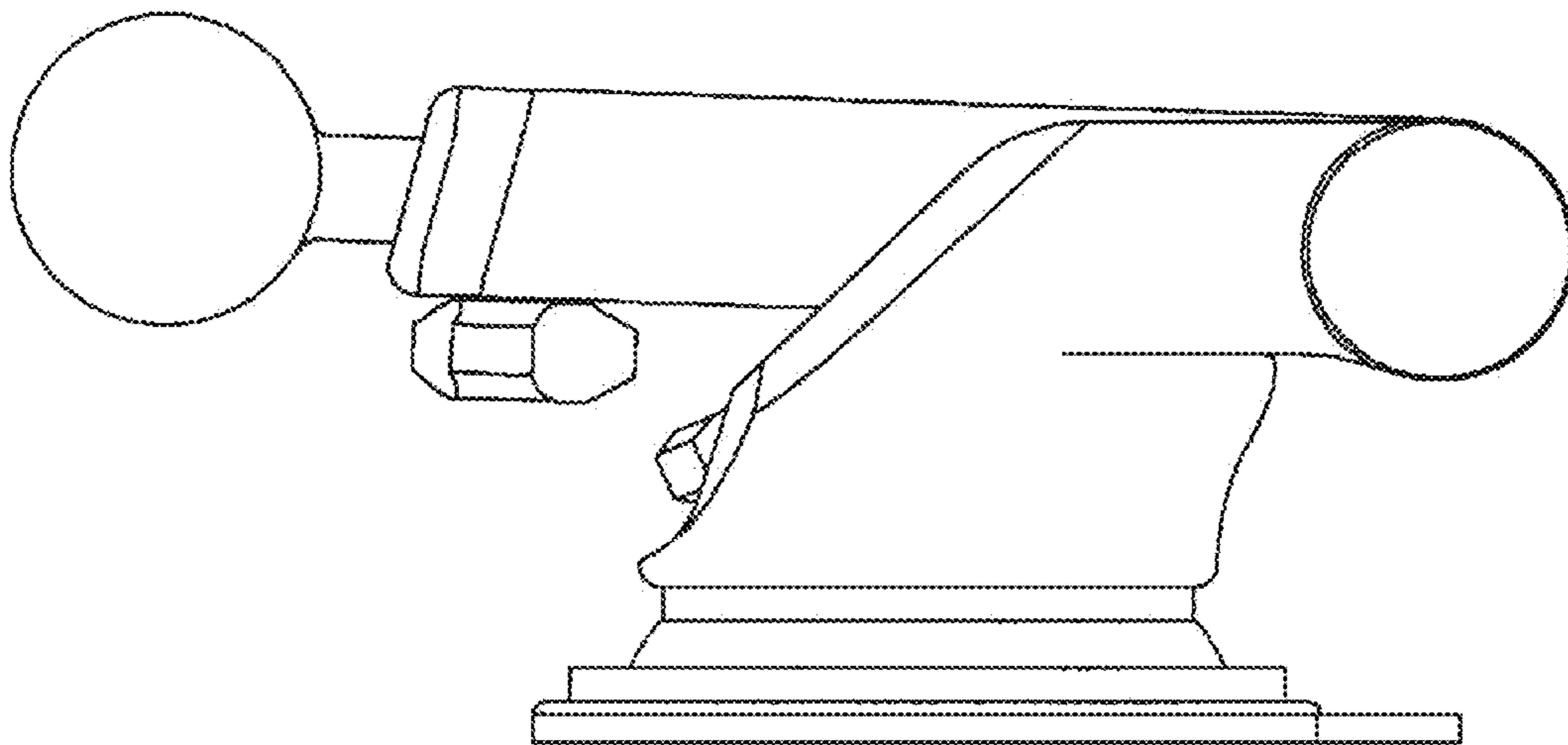


Fig. 10

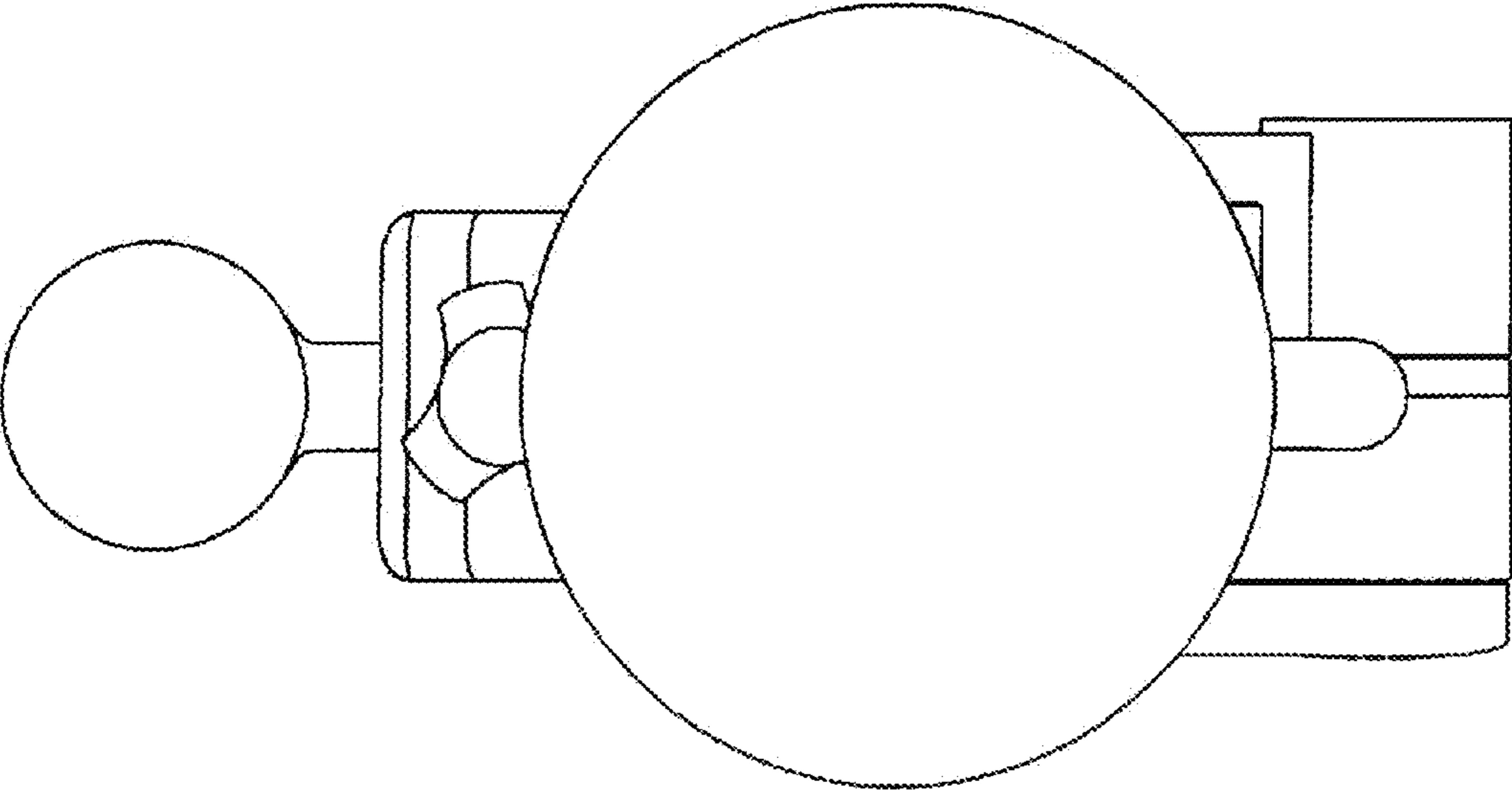


Fig. 11

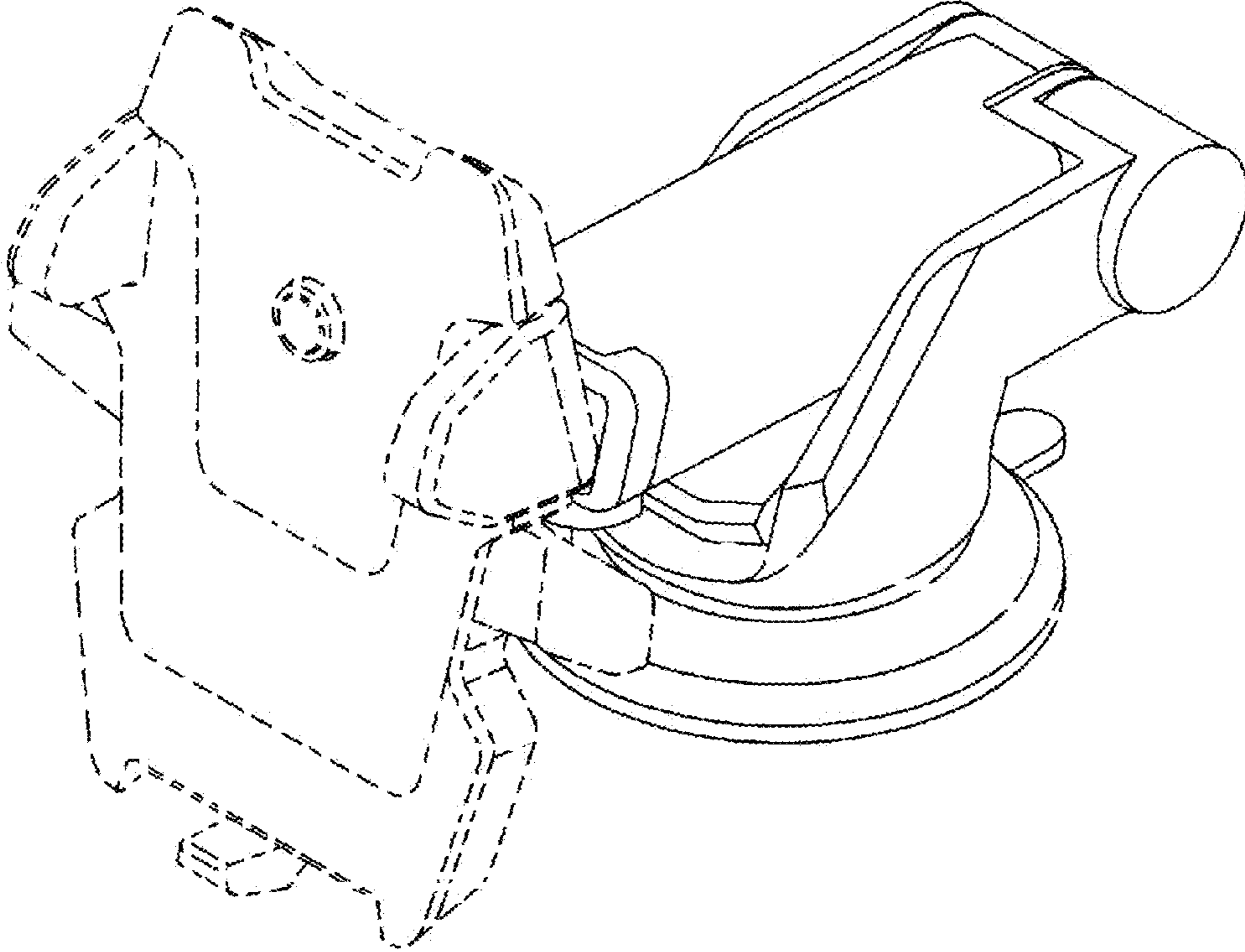


Fig. 12

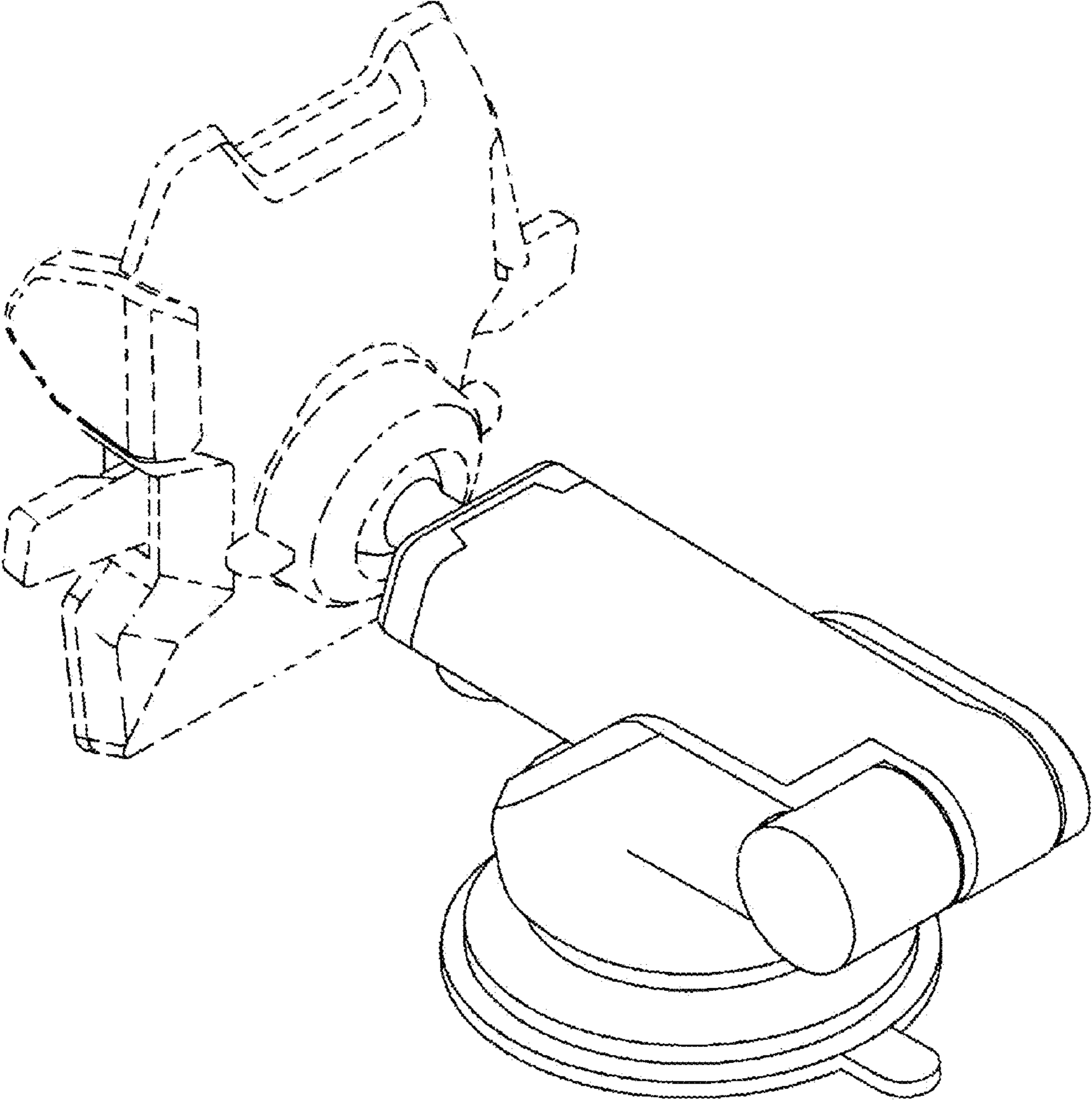


Fig. 13

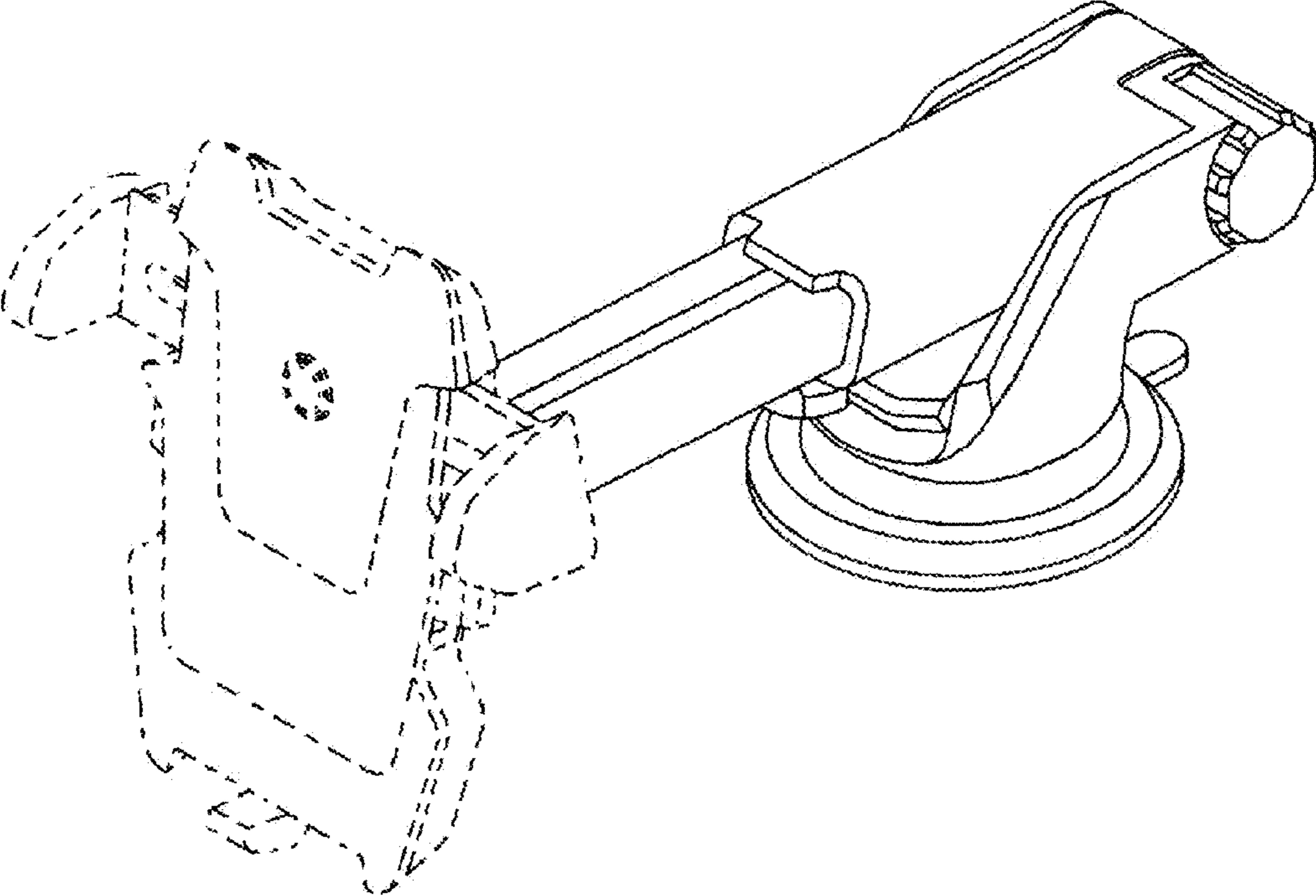


Fig. 14

