



US00D732516S

(12) **United States Design Patent**
Bae et al.

(10) **Patent No.:** **US D732,516 S**
(45) **Date of Patent:** **** *Jun. 23, 2015**

- (54) **MOBILE PHONE**
- (71) Applicant: **LG Electronics Inc.**, Seoul (KR)
- (72) Inventors: **Jinwan Bae**, Seoul (KR); **Hyunggon Ryu**, Gyeonggi-do (KR)
- (73) Assignee: **LG Electronics Inc.**, Seoul (KR)
- (*) Notice: This patent is subject to a terminal disclaimer.
- (**) Term: **14 Years**
- (21) Appl. No.: **29/476,189**
- (22) Filed: **Dec. 12, 2013**
- (30) **Foreign Application Priority Data**
Jul. 19, 2013 (KR) 30-2013-0037503
- (51) **LOC (10) Cl.** **14-03**
- (52) **U.S. Cl.**
USPC **D14/248**
- (58) **Field of Classification Search**
USPC D14/138 G, 138 AC, 138 AD, 138 R,
D14/203.1, 203.3, 203.5, 203.7, 218, 248,
D14/257, 250, 341, 441, 443, 496;
D21/517, 329, 331; D13/168; D10/65,
D10/78; 455/575.1, 556.1, 556.2;
379/433.01, 433.04; 361/679.3, 679.56
CPC H04M 1/02; H04M 1/0202; H04M
1/0202-1/035; H04M 1/0235; H04M 1/0237;
H04M 1/0239; H04M 2250/22
See application file for complete search history.

- (56) **References Cited**
U.S. PATENT DOCUMENTS
D548,218 S * 8/2007 Hong et al. D14/138 AA
D557,239 S * 12/2007 Lee D14/138 R
D603,856 S * 11/2009 Nuovo et al. D14/248
D605,623 S * 12/2009 Aarras D14/138 AD

- D606,038 S * 12/2009 Aarras D14/138 G
- D611,923 S * 3/2010 Hong et al. D14/138 AD
- D647,076 S * 10/2011 Kim D14/138 G
- D656,477 S * 3/2012 Yi et al. D14/138 G
- D664,130 S * 7/2012 Lee D14/240
- D664,518 S * 7/2012 Ryu D14/138 G
- D669,445 S * 10/2012 Yeon et al. D14/138 AD
- D677,643 S * 3/2013 Park D14/138 G
- D679,269 S * 4/2013 Fahlgren et al. D14/248

(Continued)

OTHER PUBLICATIONS

LG G3 telephone, announced May 2014, [online], [site visited Dec. 19, 2014]. Available from Internet, <URL: http://www.gsmarena.com/lg_g3-6294.php>.*

(Continued)

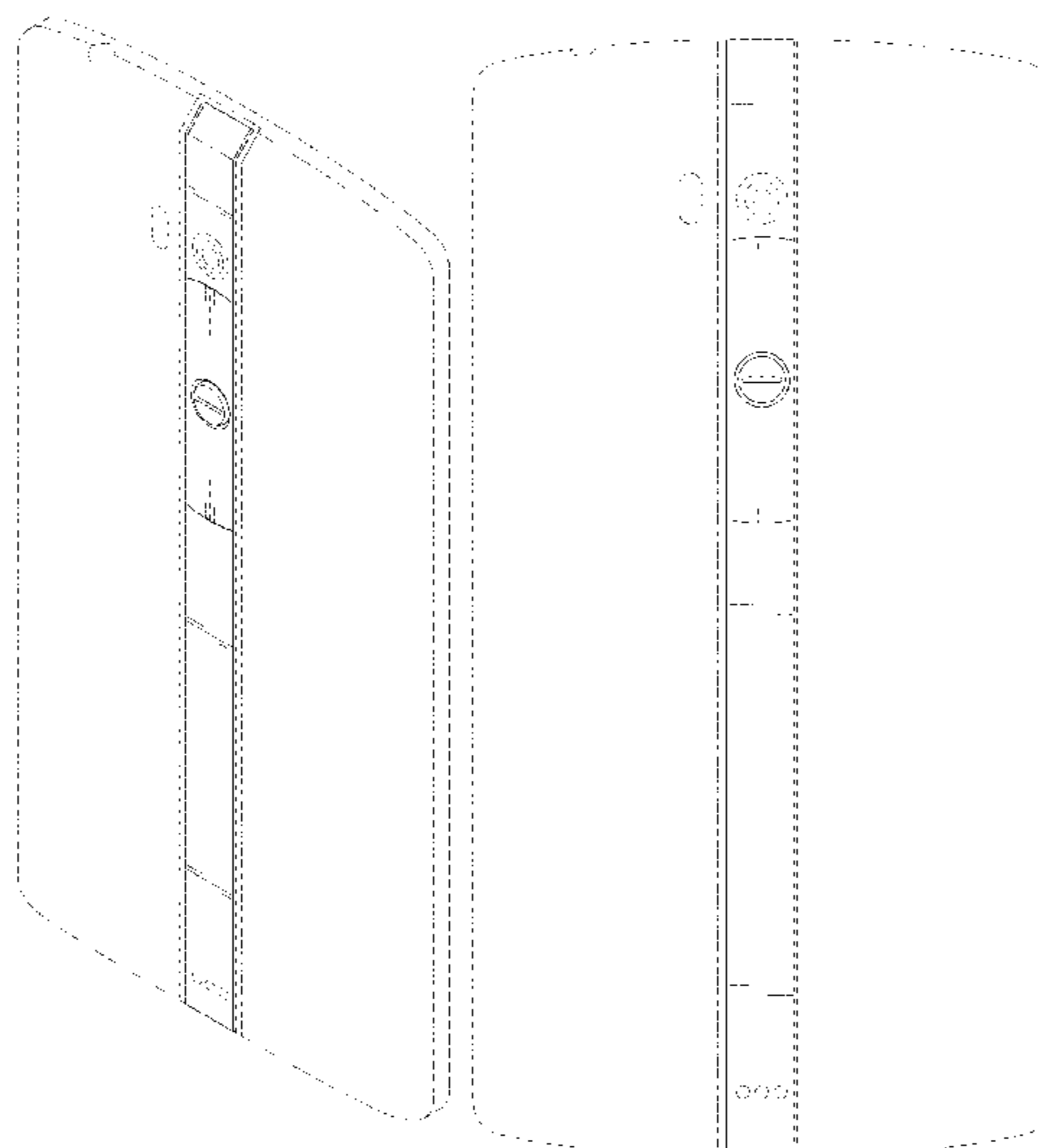
Primary Examiner — Jeffrey D Asch
Assistant Examiner — Sanjeev Paul
(74) *Attorney, Agent, or Firm* — Morgan, Lewis & Bockius LLP

(57) **CLAIM**
The ornamental design for a mobile phone, as shown and described.

DESCRIPTION

FIG. 1 is a rear perspective view of a mobile phone showing our new design;
FIG. 2 is a front view thereof;
FIG. 3 is a rear view thereof;
FIG. 4 is a left side view thereof;
FIG. 5 is a right side view thereof;
FIG. 6 is a top plan view thereof; and,
FIG. 7 is a bottom plan view thereof.
The broken lines shown in the figures that are within the claimed surfaces, are immediately adjacent to the shaded areas, and define unshaded regions, represent the bounds of the claim, while all other broken lines are directed to environment; the broken lines form no part of the claimed design.

1 Claim, 7 Drawing Sheets



(56)

References Cited

U.S. PATENT DOCUMENTS

D694,730 S * 12/2013 Lee D14/138 G
D698,341 S * 1/2014 Lee D14/248
D702,681 S * 4/2014 Sugiyama et al. D14/341
D703,178 S * 4/2014 Park et al. D14/138 G
D707,644 S * 6/2014 Asano et al. D14/138 G
D712,368 S * 9/2014 Hibi D14/138 G
D713,373 S * 9/2014 Hibi D14/138 G
D714,273 S * 9/2014 Kim et al. D14/248
D715,246 S * 10/2014 Oh D14/138 G
D715,282 S * 10/2014 Chang et al. D14/248
D719,124 S * 12/2014 Kim et al. D14/138 AD
D719,150 S * 12/2014 Daniel D14/341
D721,345 S * 1/2015 Lee et al. D14/138 G

D723,496 S * 3/2015 Ryu et al. D14/138 G
D725,090 S * 3/2015 Bae et al. D14/248
2014/0370937 A1* 12/2014 Park et al. 455/566

OTHER PUBLICATIONS

LG G2 telephone, announced Aug. 2014, [online], [site visited Dec. 19, 2014]. Available from Internet, <URL: http://www.gsmarena.com/lg_g2-5543.php>.*
LG Nitro HD telephone, announced Nov. 2011, [online], [site visited Dec. 19, 2014]. Available from Internet, <URL: http://www.gsmarena.com/lg_nitro_hd-4329.php>.*
LG Optimus 2X telephone, announced Dec. 2010, [online], [site visited Dec. 19, 2014]. Available from Internet, <URL: http://www.gsmarena.com/lg_optimus_2x-3598.php>.*

* cited by examiner

FIG. 1

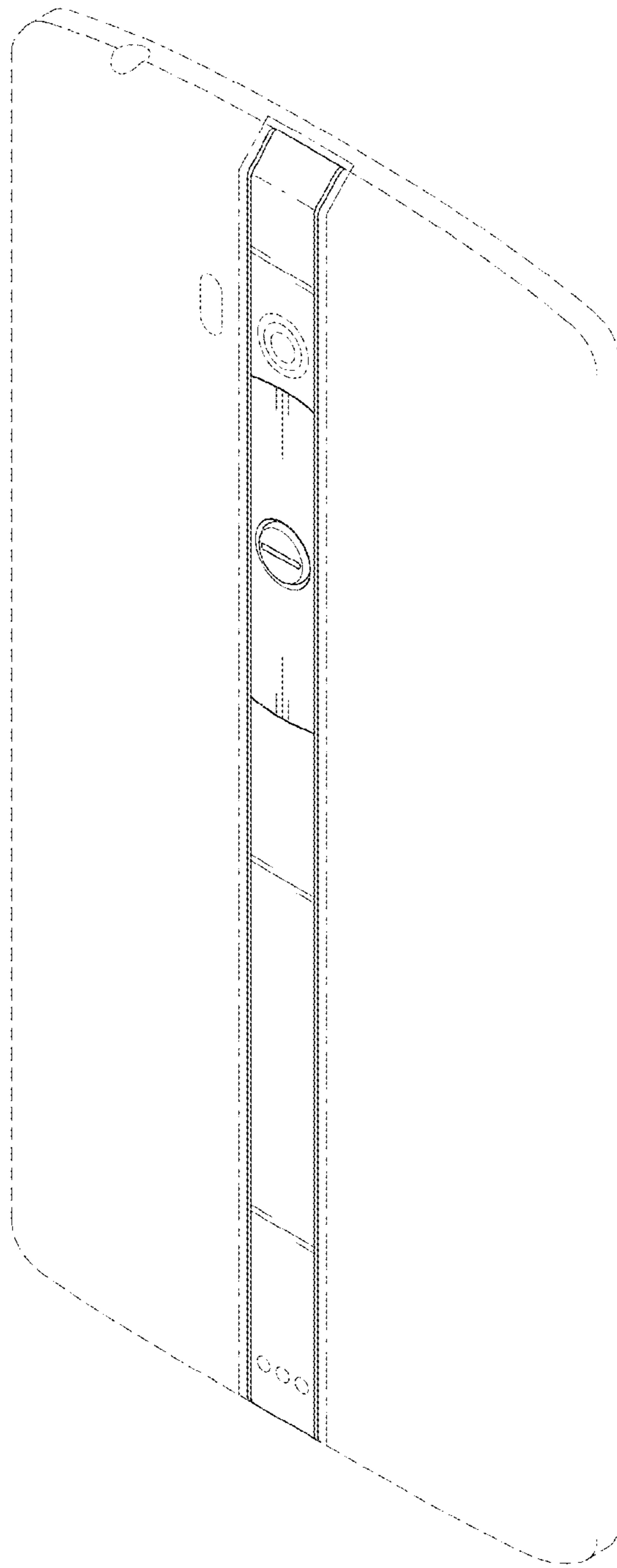


FIG. 2

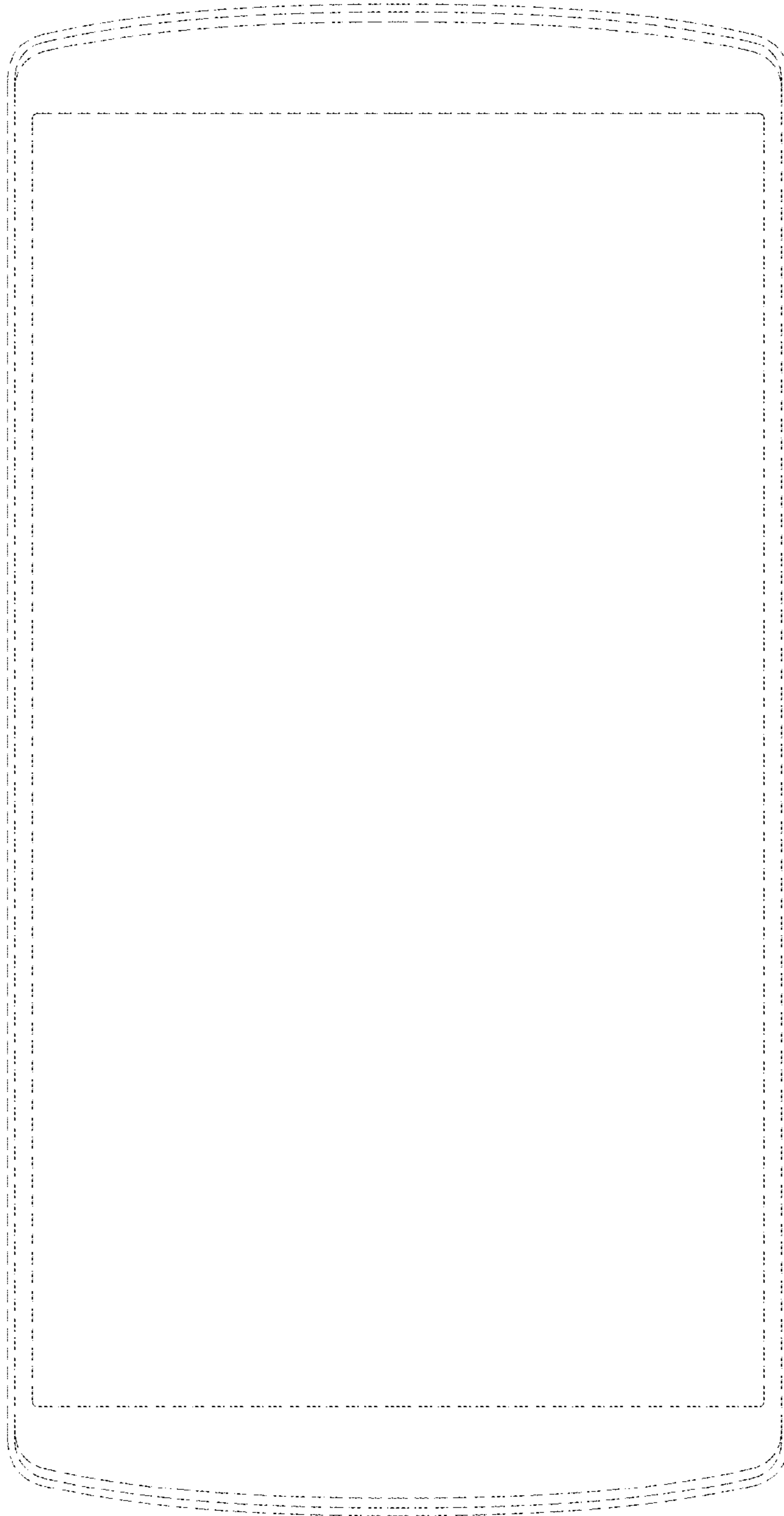


FIG. 3

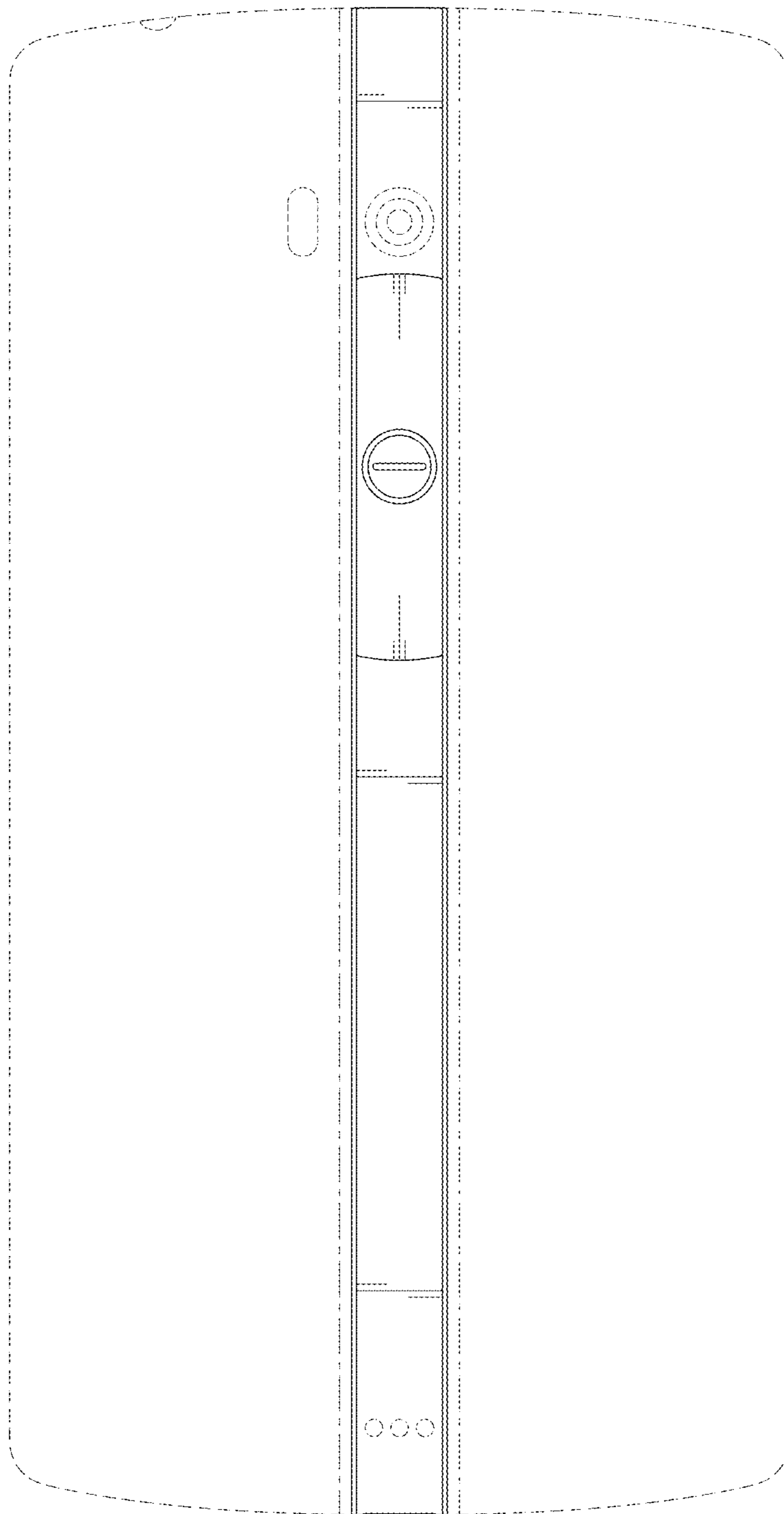


FIG. 4

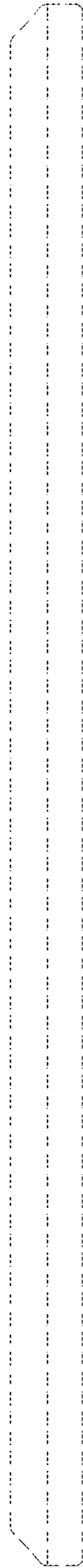


FIG. 5

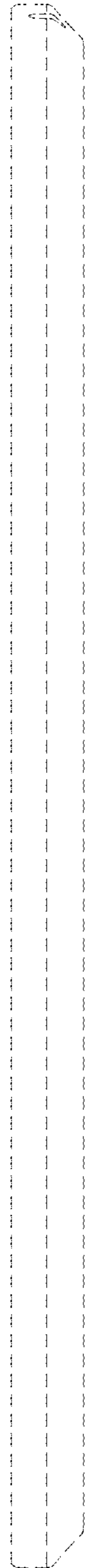


FIG. 6

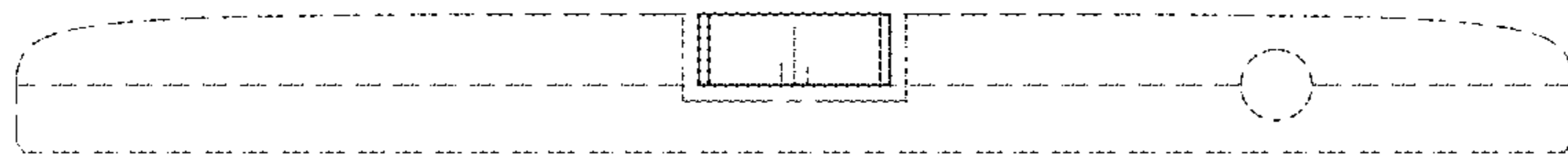


FIG. 7

