



US00D732509S

(12) **United States Design Patent**
Brunner et al.

(10) **Patent No.:** **US D732,509 S**
(45) **Date of Patent:** **** Jun. 23, 2015**

- (54) **AUDIO LISTENING SYSTEM**
- (71) Applicant: **Apple Inc.**, Cupertino, CA (US)
- (72) Inventors: **Robert Brunner**, San Francisco, CA (US); **Rhys Bonahoom**, Burlingame, CA (US)
- (73) Assignee: **Apple Inc.**, Cupertino, CA (US)
- (**) Term: **14 Years**
- (21) Appl. No.: **29/493,738**
- (22) Filed: **Jun. 12, 2014**

D299,344 S 1/1989 Stevens
 D299,454 S 1/1989 Kwong
 D309,306 S 7/1990 Weiser et al.
 D316,550 S 4/1991 Sogabe

(Continued)

FOREIGN PATENT DOCUMENTS

TW D126814 1/2009

OTHER PUBLICATIONS

Search Report dated Oct. 3, 2011 for Taiwanese application No. 099303307.

(Continued)

Primary Examiner — Paula Greene

(74) *Attorney, Agent, or Firm* — Sterne, Kessler, Goldstein & Fox P.L.L.C.

Related U.S. Application Data

- (63) Continuation of application No. 29/441,335, filed on Jan. 3, 2013, now Pat. No. Des. 707,652.
- (51) **LOC (10) Cl.** **14-01**
- (52) **U.S. Cl.**
USPC **D14/223**
- (58) **Field of Classification Search**
USPC D14/223; 181/129, 130, 135; 379/430, 379/431; 381/380, 381; 455/90.3, 575.1
CPC H04R 1/10
See application file for complete search history.

(57) **CLAIM**

The ornamental design for an audio listening system, as shown and described.

DESCRIPTION

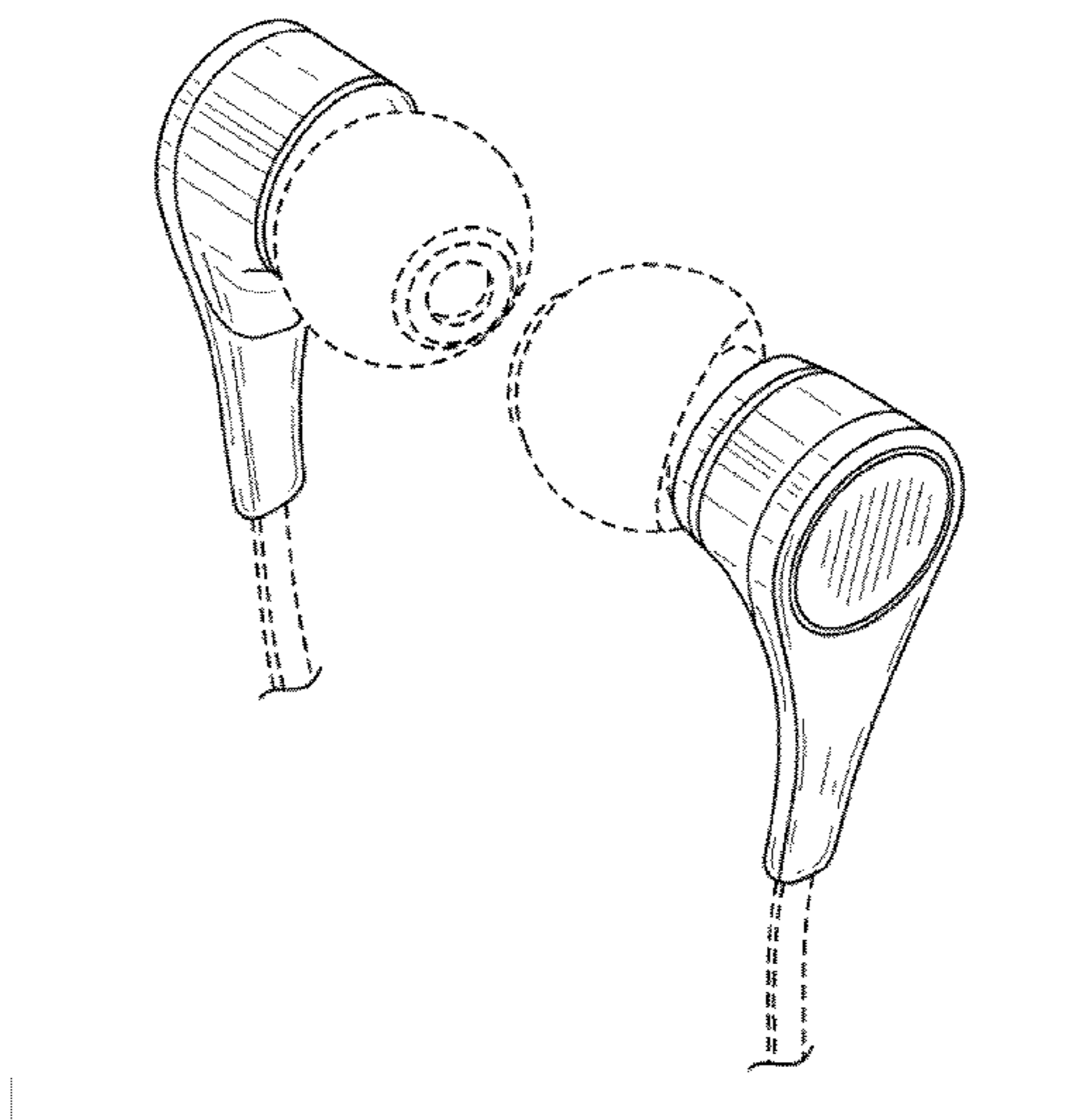
FIG. 1 is a front perspective view of an audio listening system showing our new design;
 FIG. 2 is a rear view thereof;
 FIG. 3 is a front view thereof;
 FIG. 4 is a right side perspective view of the earbud of an audio listening system showing our new design, shown separately for purposes of illustration;
 FIG. 5 is left side perspective view thereof;
 FIG. 6 is a rear view thereof;
 FIG. 7 is a front view thereof;
 FIG. 8 is a right side view thereof; and,
 FIG. 9 is a left side view thereof.
 The broken lines within the Figures show portions of the audio listening system that form no part of the claimed design.

(56) **References Cited**

U.S. PATENT DOCUMENTS

- 2,009,390 A 7/1935 Armand
- 2,248,837 A 7/1941 Walters
- 2,430,229 A 11/1947 Kelsey
- 2,474,135 A 6/1949 White
- 2,501,107 A * 3/1950 Volkmann 381/378
- 2,545,731 A 3/1951 French
- 2,739,660 A 3/1956 French
- D233,444 S 10/1974 Christian et al.
- 4,253,452 A 3/1981 Powers et al.
- D270,634 S 9/1983 Ungar
- D276,143 S 10/1984 Williams
- 4,646,872 A 3/1987 Kamon et al.

1 Claim, 4 Drawing Sheets



(56)

References Cited

U.S. PATENT DOCUMENTS

D318,670 S 7/1991 Taniguchi
 D326,655 S * 6/1992 Iribe D14/192
 D326,855 S 6/1992 Bose et al.
 5,179,501 A 1/1993 Ocken et al.
 D334,043 S 3/1993 Taniguchi et al.
 5,410,608 A 4/1995 Lucey et al.
 5,625,171 A 4/1997 Marshall et al.
 5,659,156 A 8/1997 Mauney et al.
 D383,757 S 9/1997 Dobrusskin et al.
 D385,254 S 10/1997 Owusu
 6,084,976 A * 7/2000 Lin 381/380
 D430,060 S 8/2000 Kavalek
 D430,146 S * 8/2000 Lin D14/223
 D431,553 S 10/2000 Suzuki
 D443,859 S 6/2001 Hogan
 D457,514 S 5/2002 Marion et al.
 D459,342 S 6/2002 Marion et al.
 D460,749 S 7/2002 Liu
 D463,791 S 10/2002 Nagai et al.
 D470,129 S 2/2003 Hlas et al.
 D475,996 S 6/2003 Skulley
 D481,377 S 10/2003 Eguchi
 D482,348 S 11/2003 Villaverde et al.
 D485,548 S 1/2004 Obata
 6,728,388 B1 4/2004 Nageno et al.
 D508,479 S 8/2005 Okada
 D508,911 S 8/2005 Sanders
 D510,085 S 9/2005 Suzuki
 D510,575 S 10/2005 Leong
 D512,049 S 11/2005 Yang
 D523,846 S * 6/2006 Lee D14/205
 D526,642 S 8/2006 Choe
 D529,901 S 10/2006 Ohta
 D531,169 S 10/2006 Tokioka
 D535,642 S 1/2007 Garcia
 D542,282 S 5/2007 Yoshiyama
 D543,968 S 6/2007 Wong
 D543,972 S 6/2007 Taylor
 D550,657 S 9/2007 Gan
 D554,109 S 10/2007 Ledbetter et al.
 D554,627 S * 11/2007 Gondo D14/223
 D555,152 S * 11/2007 Wang D14/223
 D556,735 S 12/2007 Yeo
 D558,735 S 1/2008 Carr et al.
 D559,837 S 1/2008 Nakano
 D564,495 S 3/2008 Sasaki
 7,349,550 B2 3/2008 Oliveira et al.
 D566,104 S 4/2008 Suzuki
 D566,687 S * 4/2008 Duarte et al. D14/205
 D569,841 S 5/2008 Chung et al.
 D573,977 S * 7/2008 Ledbetter et al. D14/205
 D574,367 S 8/2008 Jaakkola
 D575,772 S 8/2008 Schultz et al.
 D576,154 S 9/2008 Ledbetter et al.
 D578,507 S 10/2008 Ando
 D579,005 S 10/2008 Wilhelmsen
 D579,444 S 10/2008 Ewert
 D582,398 S 12/2008 Nam et al.
 D584,293 S 1/2009 Kim et al.
 D585,881 S 2/2009 Nam et al.
 D587,681 S 3/2009 Yanai
 D589,493 S 3/2009 Densho
 D591,264 S 4/2009 Hong et al.
 D593,075 S 5/2009 Williams et al.
 D594,441 S 6/2009 Lee et al.
 7,551,748 B2 6/2009 Kamo et al.
 D597,084 S 7/2009 Gondo
 D598,901 S * 8/2009 Lee et al. D14/223
 D599,781 S 9/2009 Lee et al.
 D600,675 S 9/2009 Lee et al.
 D601,126 S 9/2009 Christopher et al.

D602,475 S 10/2009 Martin
 D603,837 S 11/2009 Martin
 D605,628 S 12/2009 Ando
 D606,048 S 12/2009 Soetejo et al.
 D607,875 S 1/2010 Pedersen, II
 7,648,005 B2 1/2010 Leong et al.
 D609,698 S 2/2010 Ng
 7,664,287 B2 2/2010 Neu et al.
 D613,274 S 4/2010 Lee et al.
 D614,168 S 4/2010 Rogers et al.
 7,708,110 B2 5/2010 Leong et al.
 D622,707 S 8/2010 Chen et al.
 D624,529 S 9/2010 Huang
 D626,117 S 10/2010 Lowry
 D627,764 S 11/2010 Tsai et al.
 D628,555 S 12/2010 Ponzio et al.
 D630,179 S 1/2011 Park et al.
 D631,037 S 1/2011 Park et al.
 D631,470 S 1/2011 Yoneyama et al.
 D634,305 S 3/2011 Hoggarth
 D636,763 S 4/2011 Walter et al.
 D637,182 S 5/2011 Lee et al.
 D637,998 S 5/2011 Brunner et al.
 D637,999 S 5/2011 Brunner et al.
 D641,008 S 7/2011 Lee et al.
 D641,010 S 7/2011 Kwon
 D641,736 S 7/2011 Brunner et al.
 D642,163 S 7/2011 Lee et al.
 D643,414 S 8/2011 Lee et al.
 D643,416 S 8/2011 Chong et al.
 D643,417 S 8/2011 Lee et al.
 D643,418 S 8/2011 Lee et al.
 D643,833 S 8/2011 Lee et al.
 8,068,633 B2 11/2011 Lee et al.
 D652,817 S 1/2012 Lee et al.
 D652,822 S 1/2012 Lee et al.
 D658,157 S 4/2012 McManigal
 D666,996 S 9/2012 Hardi et al.
 D673,531 S 1/2013 Lee et al.
 D676,026 S 2/2013 Lee et al.
 D678,251 S 3/2013 Cantoni et al.
 8,391,536 B2 * 3/2013 Hashimoto 381/380
 D679,267 S 4/2013 Lee et al.
 D683,332 S 5/2013 Lee et al.
 D686,597 S 7/2013 Lee et al.
 D689,471 S 9/2013 Hardi et al.
 8,660,287 B2 * 2/2014 Stephenson 381/370
 D707,652 S 6/2014 Brunner et al.
 2011/0051979 A1 3/2011 Lee et al.

OTHER PUBLICATIONS

U.S. Appl. No. 29/365,975, filed Jul. 16, 2010 (Inventor: Noel Lee et al).
 Unpublished pending U.S. Appl. No. 29/457,923, filed Jun. 13, 2013 a copy of which is not being furnished herewith, pursuant to the Commissioner's Notice dated Sep. 21, 2004.
 Unpublished pending U.S. Appl. No. 29/441,334, filed Jan. 3, 2013 a copy of which is not being furnished herewith, pursuant to the Commissioner's Notice dated Sep. 21, 2004.
 Unpublished pending U.S. Appl. No. 29/496,755, filed Jul. 16, 2014 a copy of which is not being furnished herewith, pursuant to the Commissioner's Notice dated Sep. 21, 2004.
 Unpublished pending U.S. Appl. No. 29/490,932, filed May 15, 2014 a copy of which is not being furnished herewith, pursuant to the Commissioner's Notice dated Sep. 21, 2004.
 Unpublished pending U.S. Appl. No. 29/490,934, filed May 15, 2014 a copy of which is not being furnished herewith, pursuant to the Commissioner's Notice dated Sep. 21, 2004.
 Unpublished pending U.S. Appl. No. 29/490,936, filed May 15, 2014 a copy of which is not being furnished herewith, pursuant to the Commissioner's Notice dated Sep. 21, 2004.

* cited by examiner

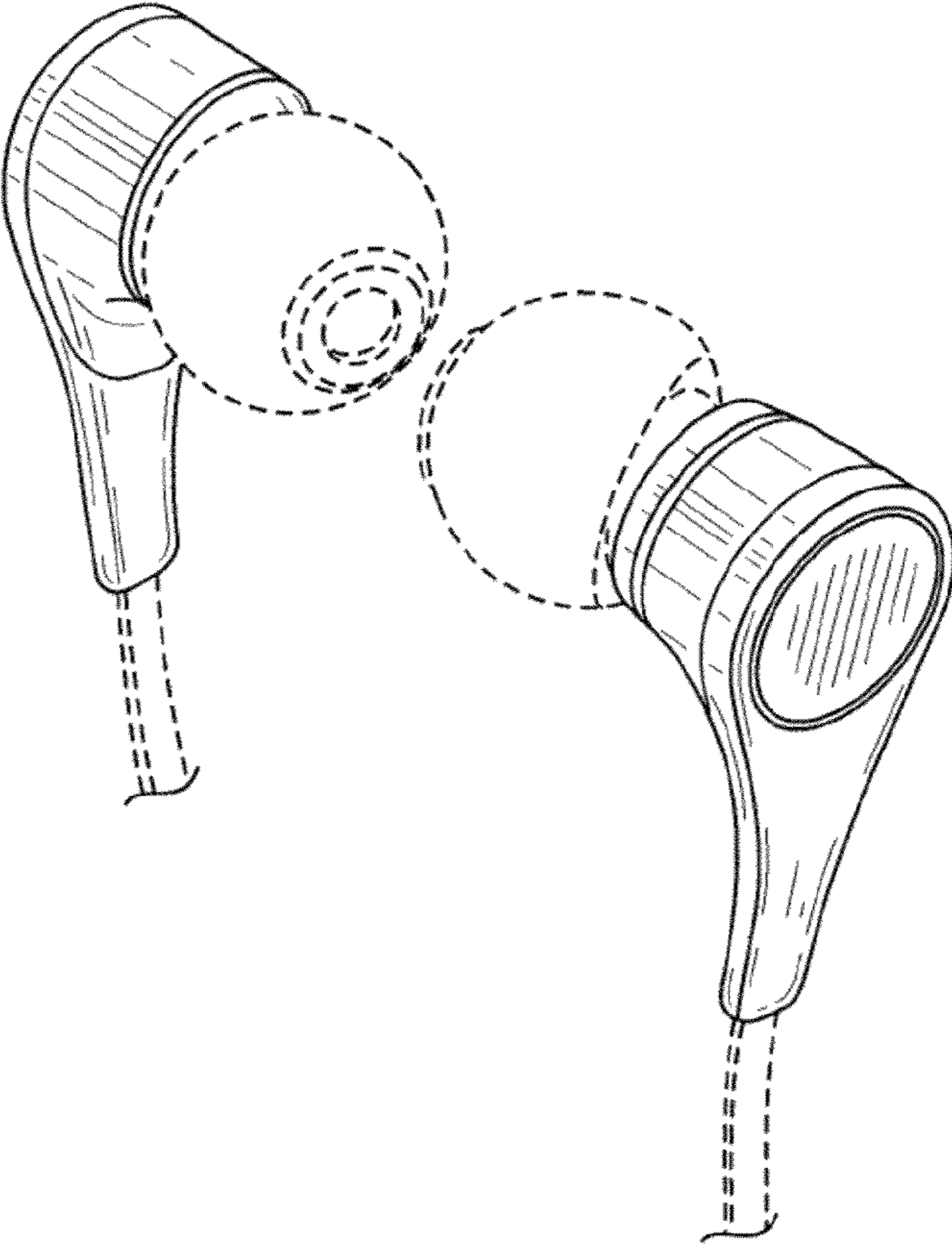


FIG. 1

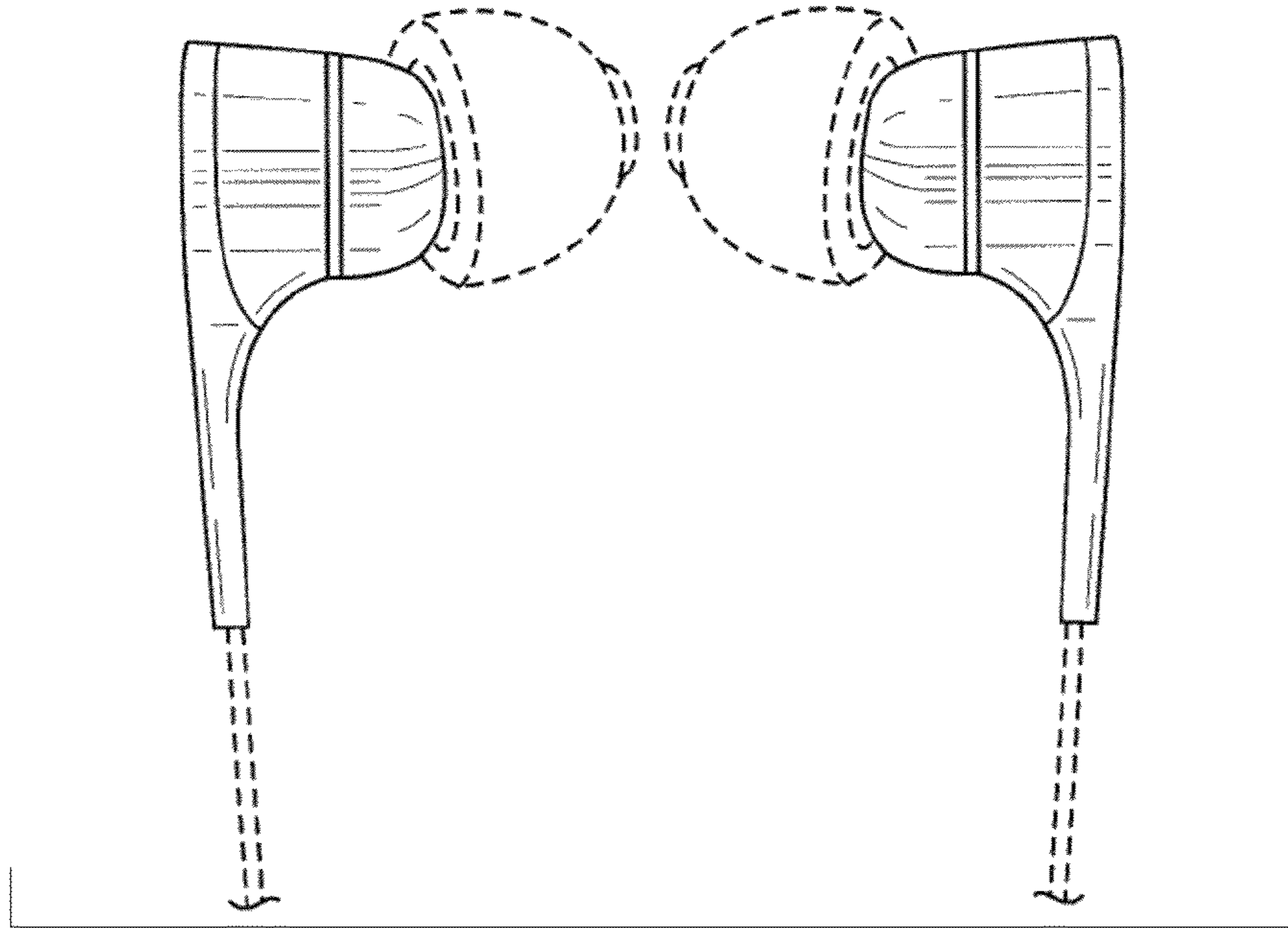


FIG. 2

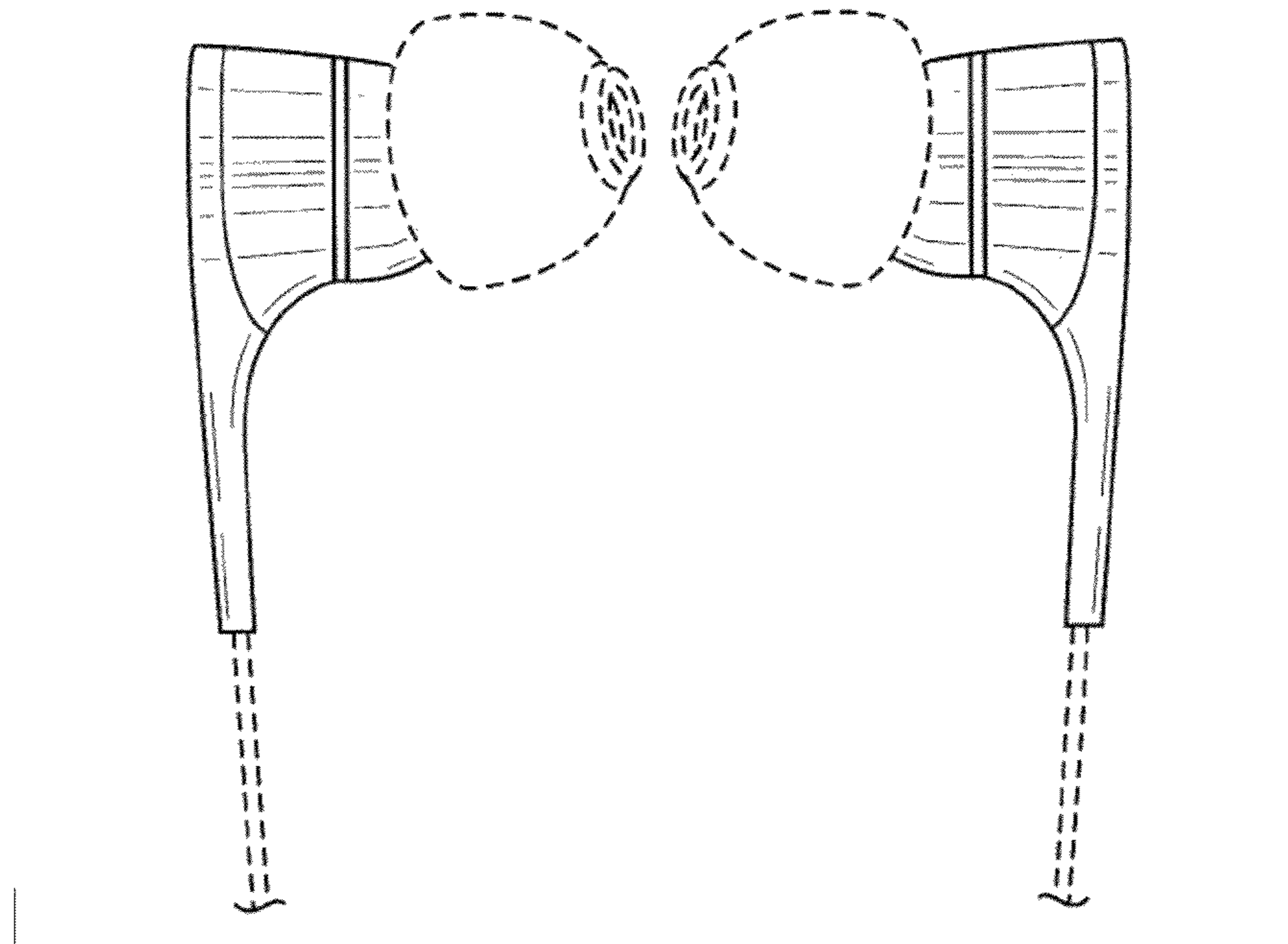


FIG. 3

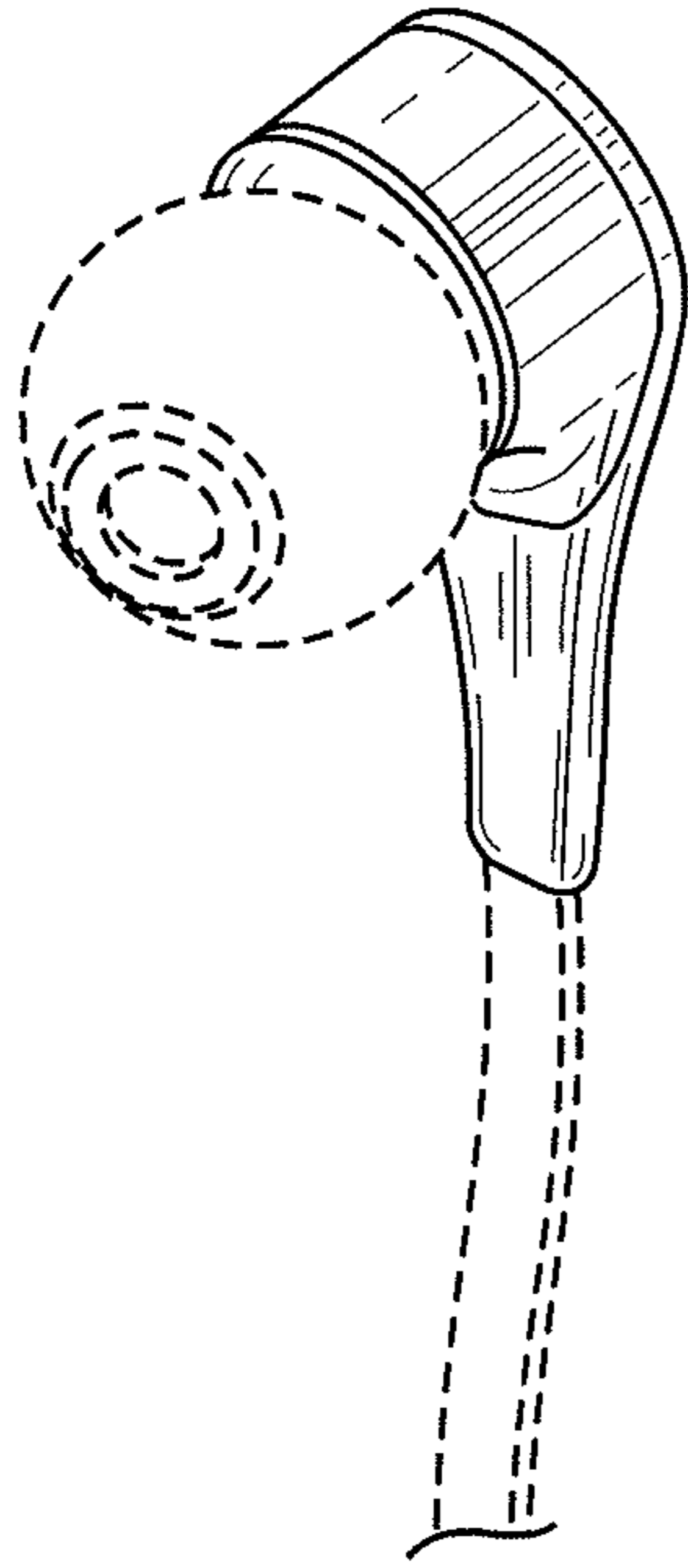


FIG. 4

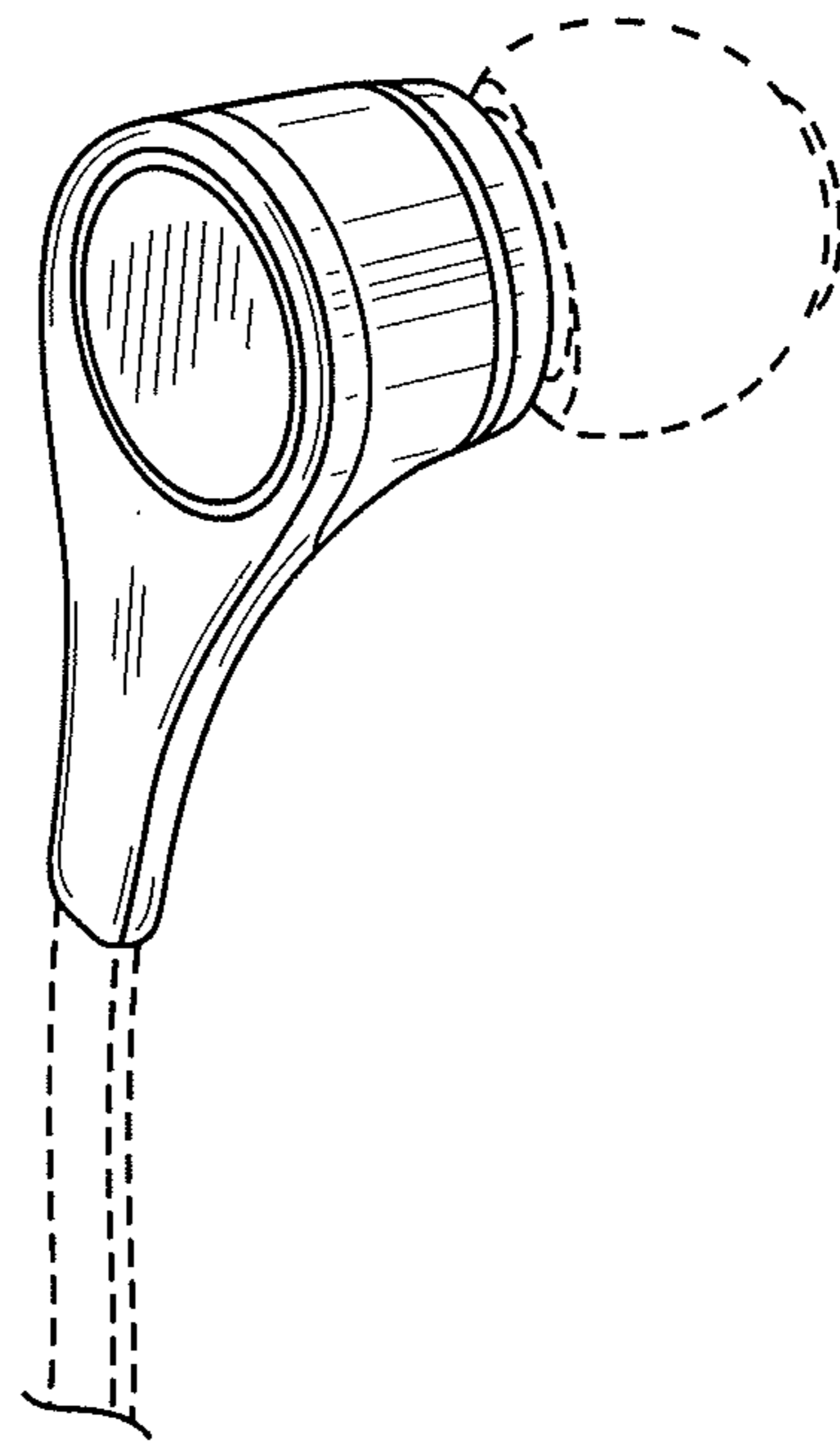


FIG. 5

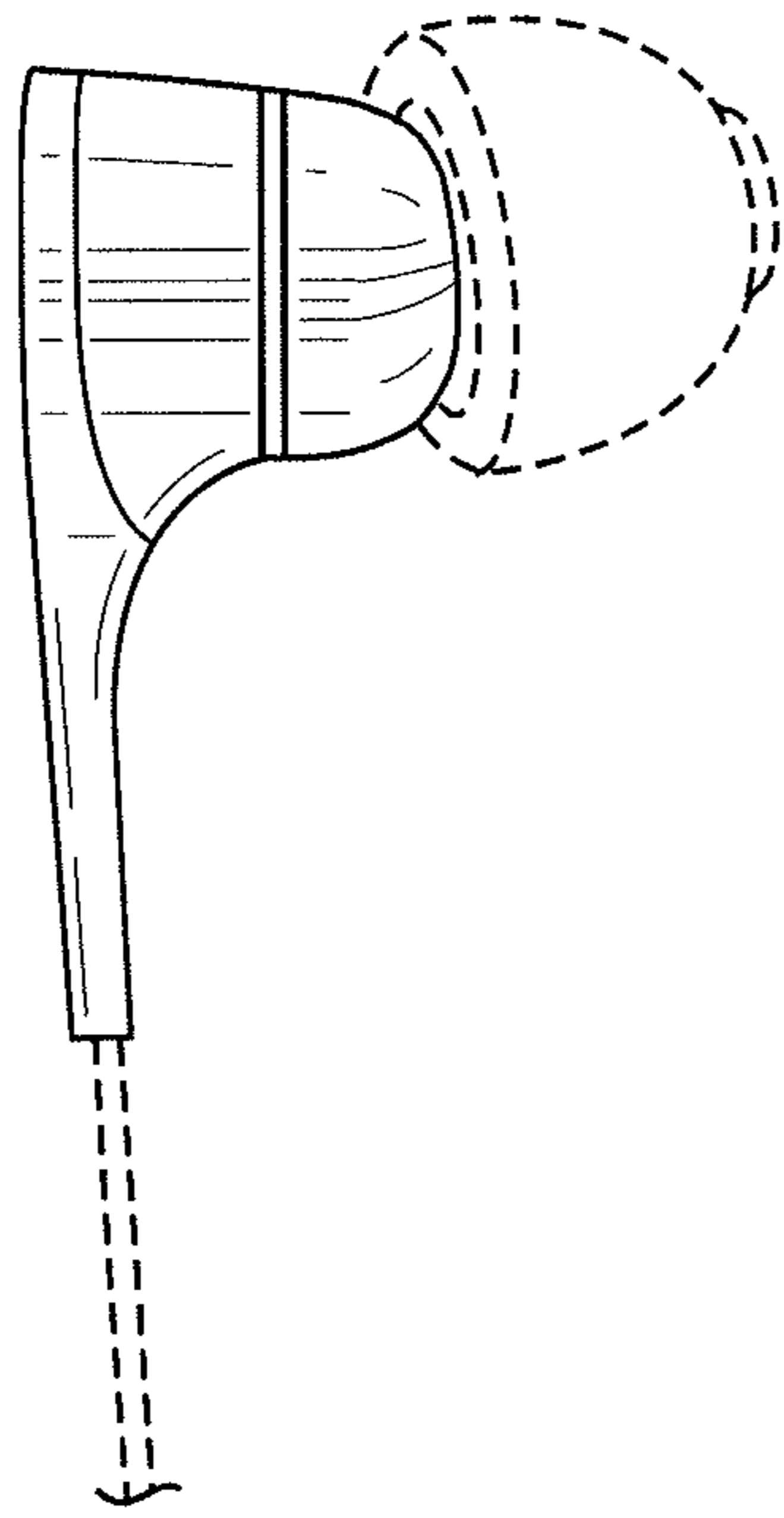


FIG. 6

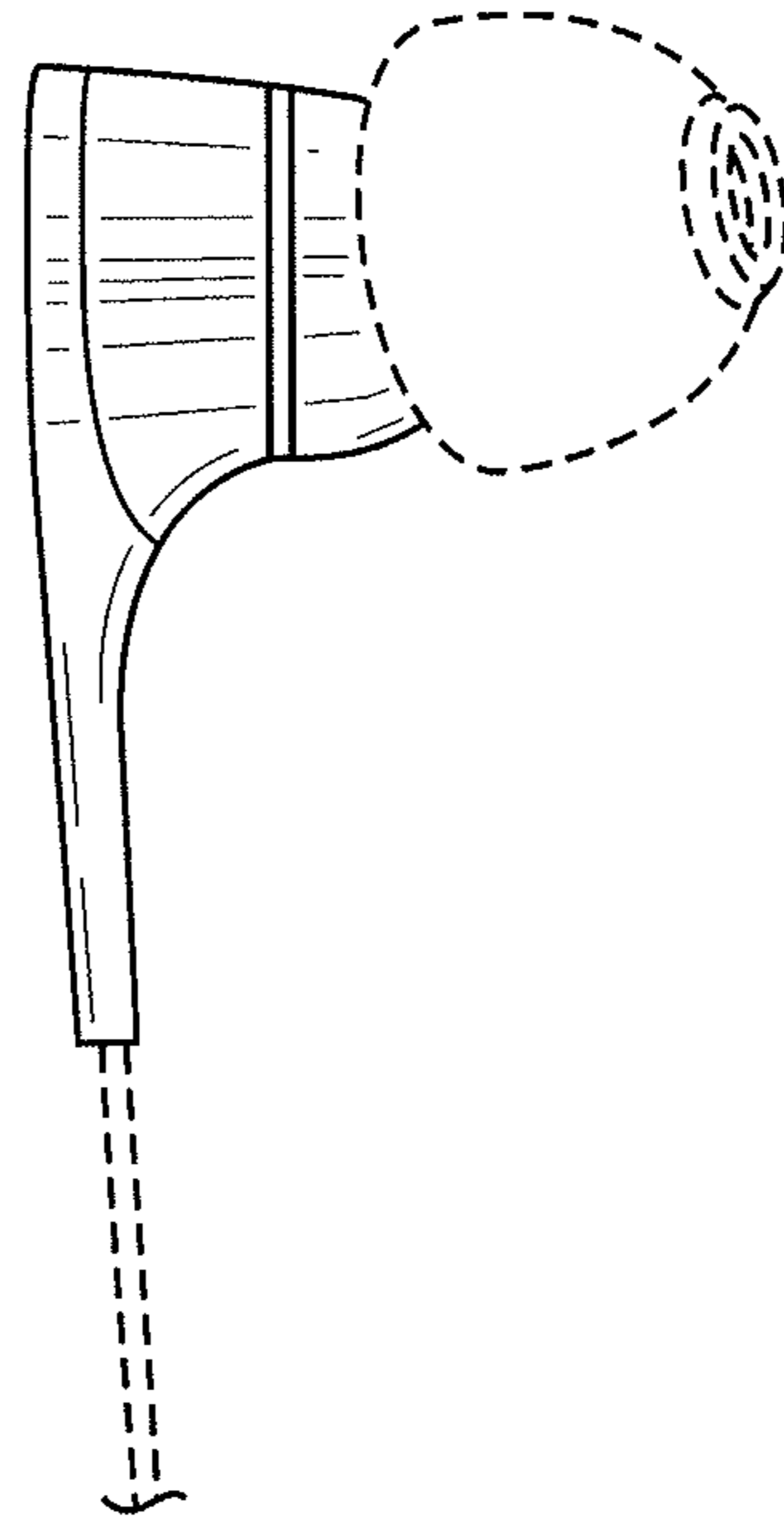


FIG. 7

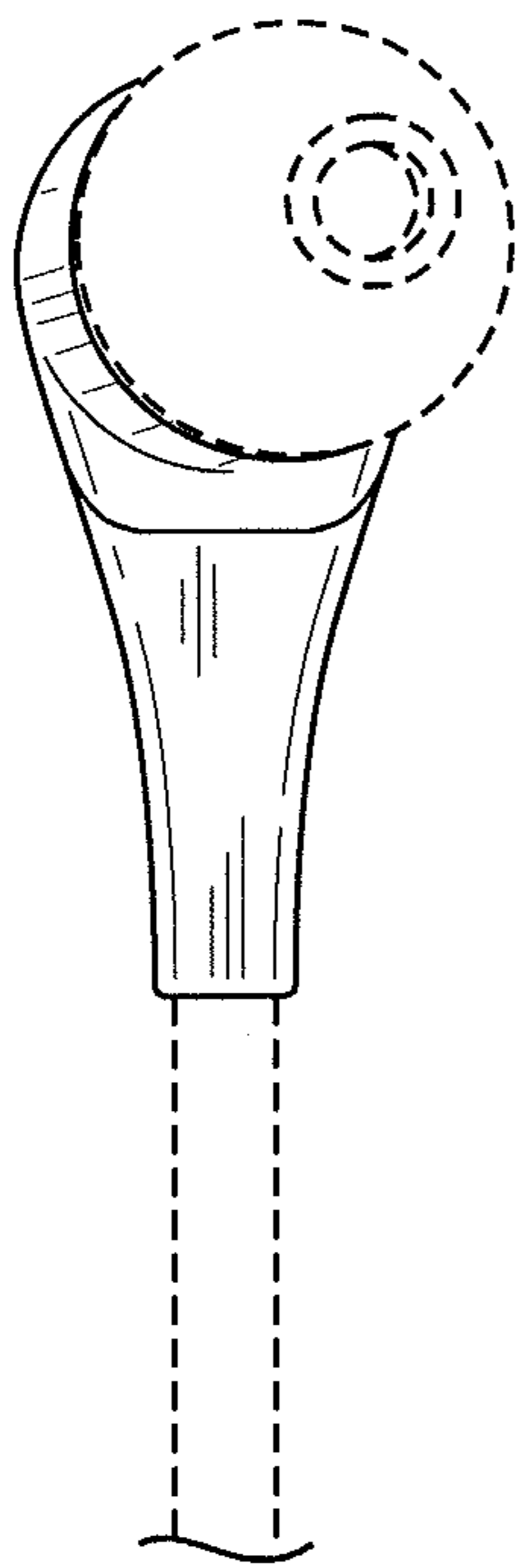


FIG. 8

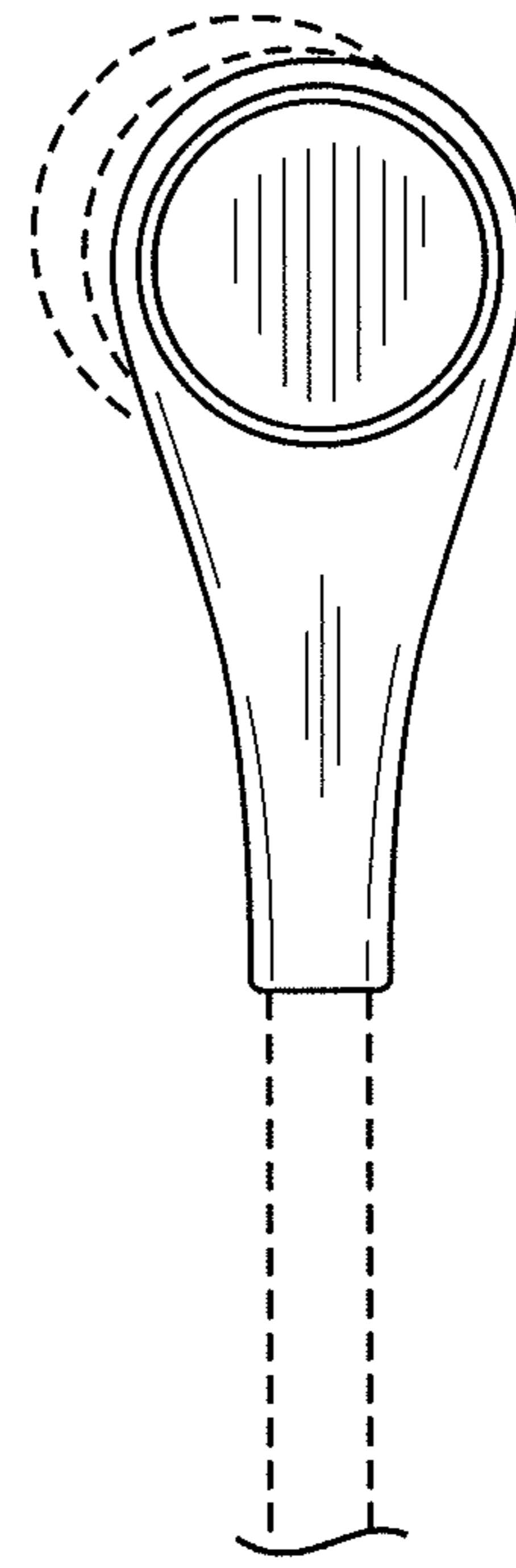


FIG. 9