



US00D732505S

(12) **United States Design Patent**
Fujioka

(10) **Patent No.:** **US D732,505 S**
(45) **Date of Patent:** **** Jun. 23, 2015**

(54) **SOUND SYSTEM TOWER**

(71) Applicant: **Robb Fujioka**, Manhattan Beach, CA
(US)

(72) Inventor: **Robb Fujioka**, Manhattan Beach, CA
(US)

(**) Term: **14 Years**

(21) Appl. No.: **29/484,534**

(22) Filed: **Mar. 11, 2014**

(51) **LOC (10) Cl.** **14-01**

(52) **U.S. Cl.**
USPC **D14/209.1**; D14/204

(58) **Field of Classification Search**
USPC D14/204, 209.1, 211, 217, 221, 224,
D14/224.1, 225, 227, 228; 181/143, 147,
181/148, 150, 153, 157, 198, 199, 166,
181/144; 381/300–303, 306, 332, 333, 336,
381/345, 361–364, 370, 386–388; 211/163,
211/59.2, 207; 312/114, 116, 128, 140,
312/135; 108/59, 106–116
CPC H04R 9/06; H04R 1/24; H04R 11/02;
H04R 2400/00
See application file for complete search history.

(56) **References Cited**

U.S. PATENT DOCUMENTS

4,553,628 A * 11/1985 Nakamura 181/145
5,595,312 A * 1/1997 Dardashti 211/188

5,802,190 A * 9/1998 Ferren 381/182
6,189,710 B1 * 2/2001 Mason 211/131.1
D468,147 S * 1/2003 Werner D6/629
7,185,769 B2 * 3/2007 Glass 211/40
7,319,767 B2 * 1/2008 Fidlin et al. 381/182
D683,330 S * 5/2013 Ryu et al. D14/209.1
D687,812 S * 8/2013 Lee D14/211
D689,715 S * 9/2013 Wong D6/675.1
D700,464 S * 3/2014 Brevda et al. D6/675
D712,929 S * 9/2014 Akana et al. D14/496

* cited by examiner

Primary Examiner — Prabhakar Deshmukh

(74) *Attorney, Agent, or Firm* — Steptoe & Johnson LLP

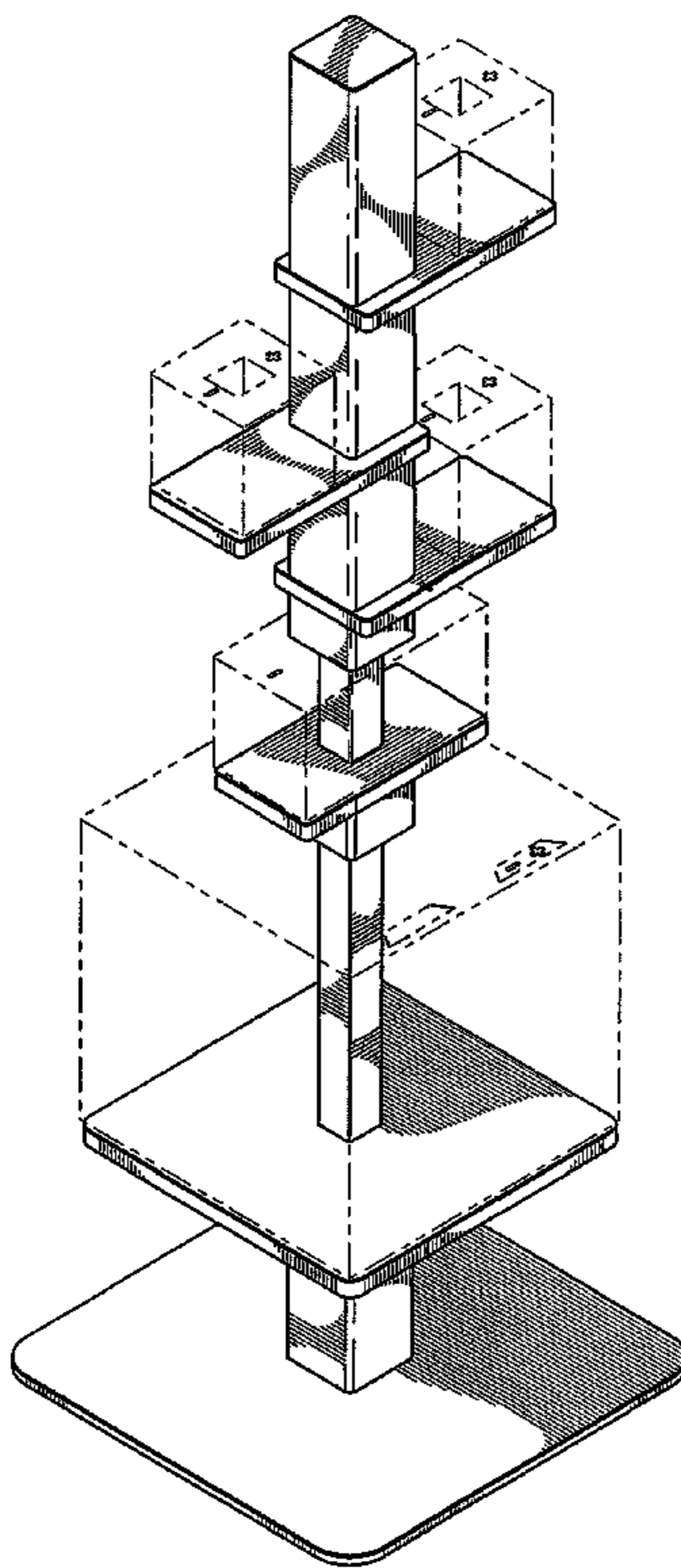
(57) **CLAIM**

The ornamental design for an sound system tower, as shown and described.

DESCRIPTION

FIG. 1 is a top, front, left side perspective view of a sound system tower showing my new design;
FIG. 2 is front elevation view (the rear elevation is a mirror image);
FIG. 3 is a right side elevation view;
FIG. 4 is a left side elevation view;
FIG. 5 is a top plan view; and,
FIG. 6 is a bottom plan view.
The broken lines in FIG. 1 illustrate environment and forms no part of the claimed design.

1 Claim, 3 Drawing Sheets



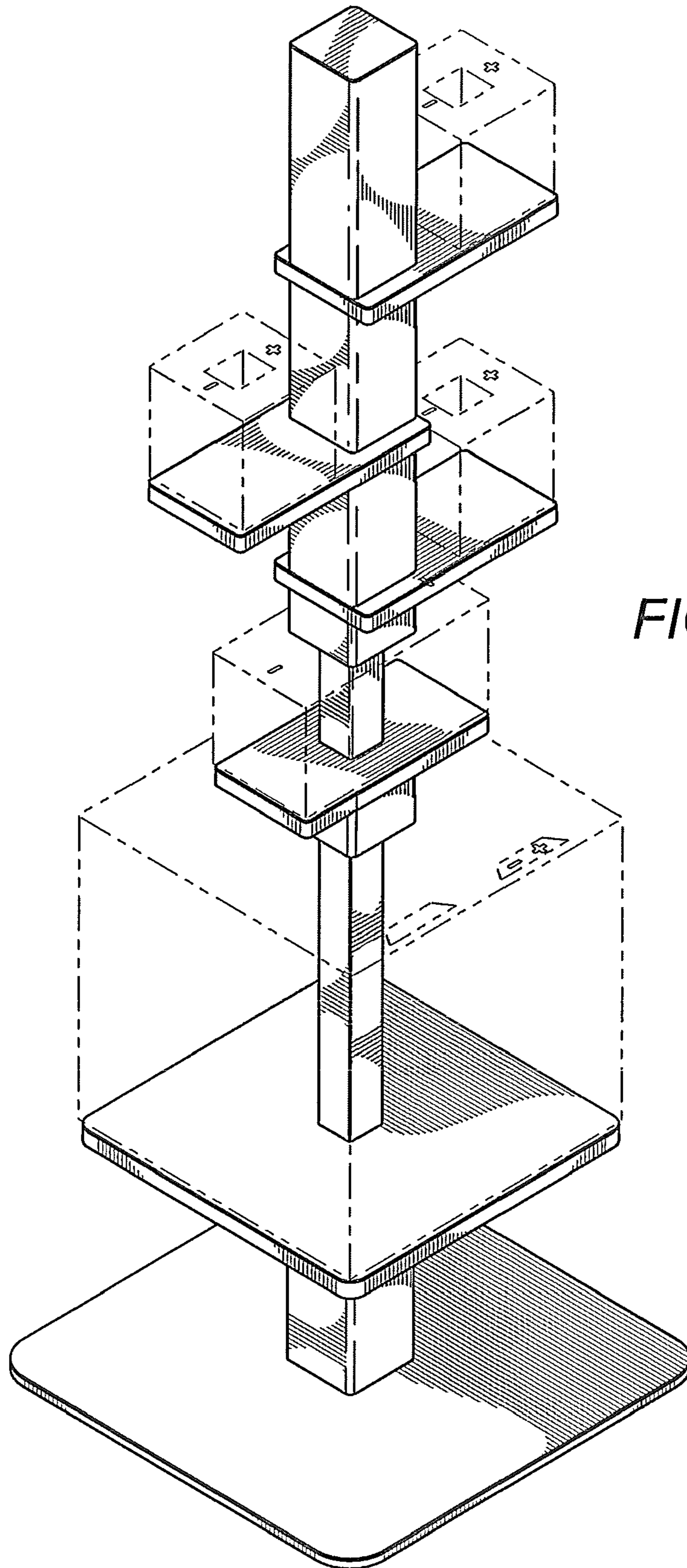


FIG. 1

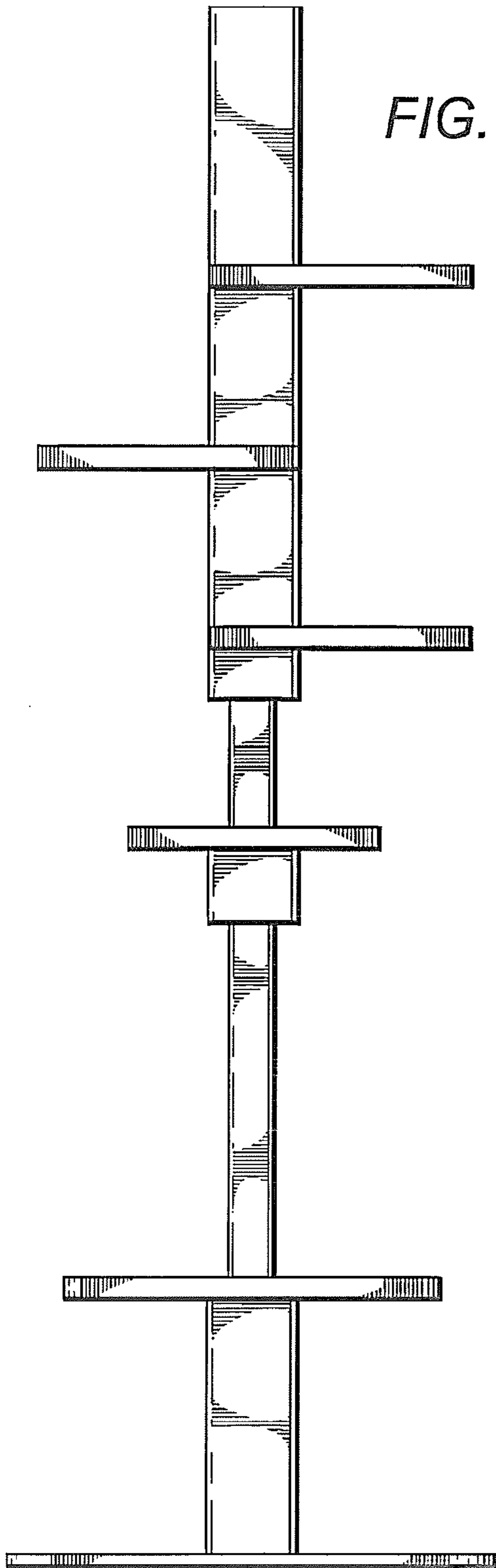


FIG. 2

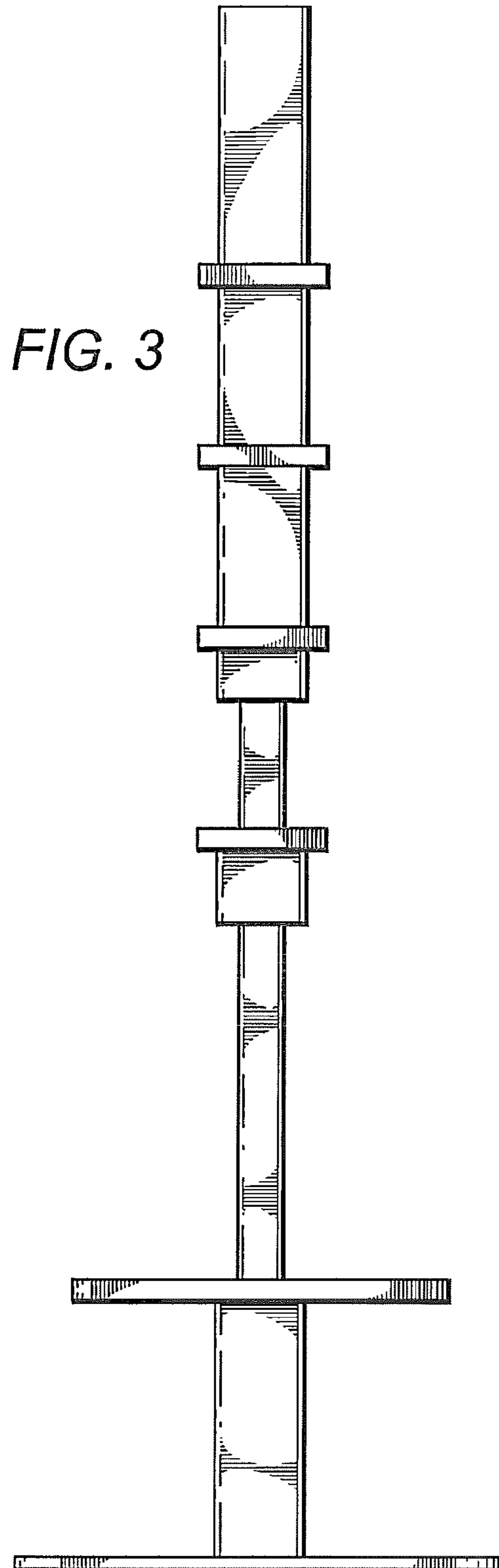


FIG. 3

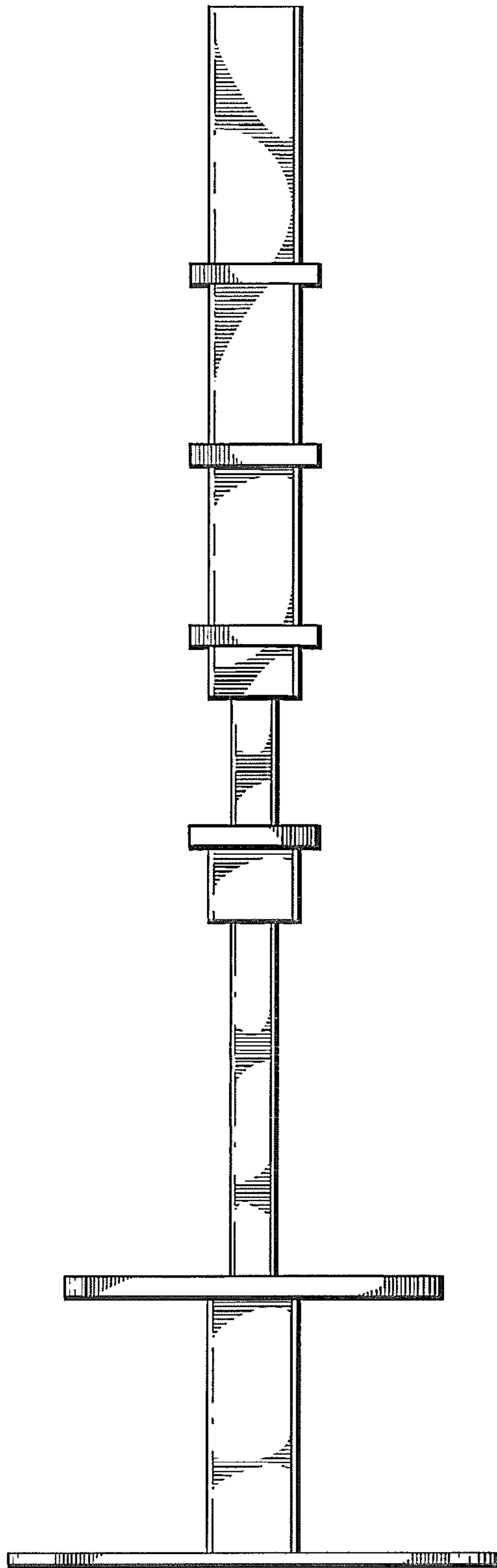


FIG. 4

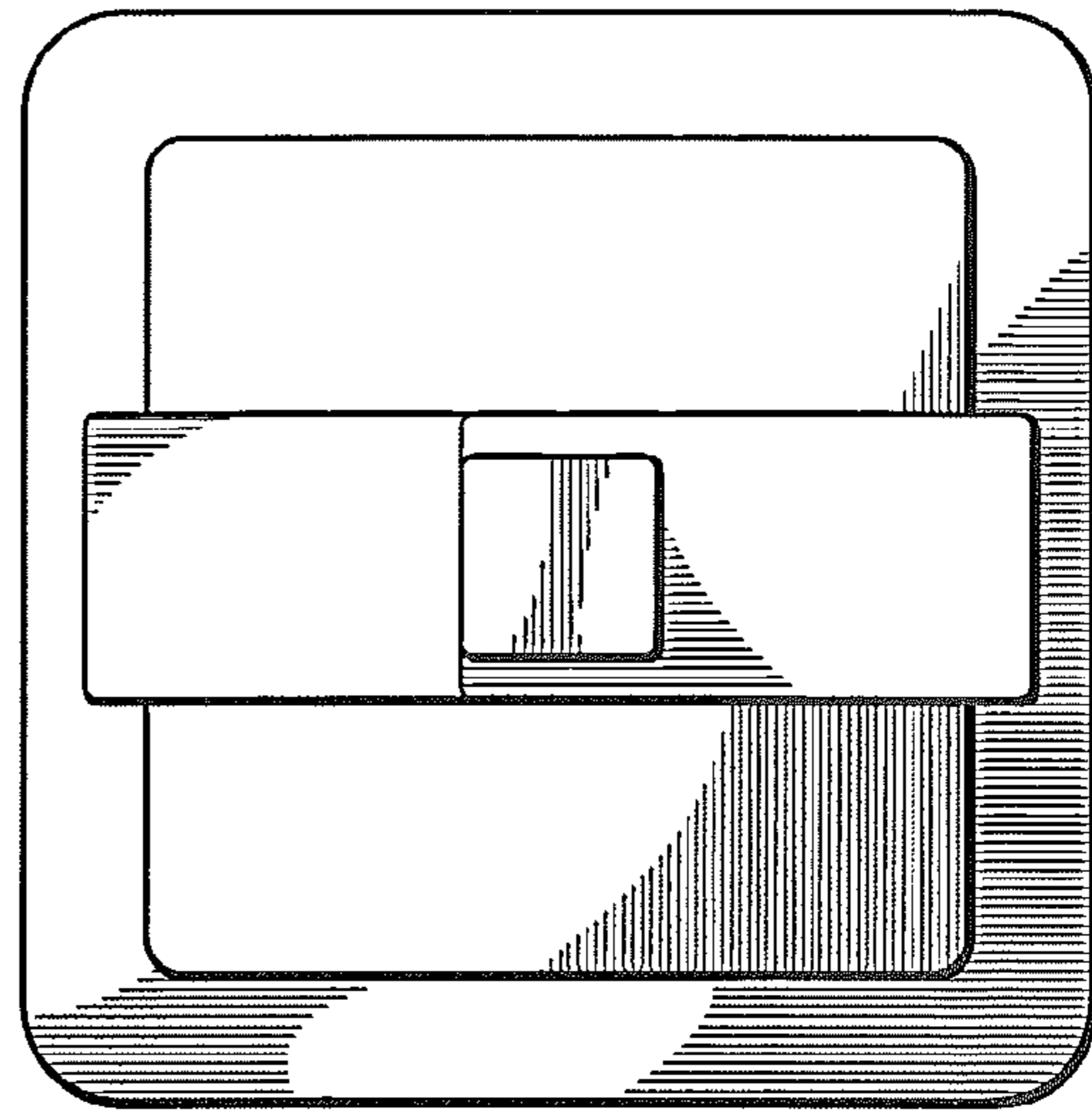


FIG. 5

FIG. 6

