



US00D732504S

(12) **United States Design Patent**
Funayama

(10) **Patent No.:** **US D732,504 S**
(45) **Date of Patent:** **** Jun. 23, 2015**

(54) **HEADPHONE**

(71) Applicant: **PIONEER CORPORATION,**
Kawasaki-shi, Kanagawa (JP)

(72) Inventor: **Tatsufumi Funayama,** Kawasaki (JP)

(73) Assignee: **PIONEER CORPORATION,**
Kawasaki-shi, Kanagawa (JP)

(**) Term: **14 Years**

(21) Appl. No.: **29/491,427**

(22) Filed: **May 21, 2014**

(30) **Foreign Application Priority Data**

Mar. 3, 2014 (JP) 2014-004463

(51) **LOC (10) Cl.** **14-01**

(52) **U.S. Cl.**
USPC **D14/205**

(58) **Field of Classification Search**
USPC D14/205, 223; D29/112; 2/209;
181/129, 130, 135; 379/430, 431;
381/380, 381; 455/90.3, 575.1

CPC H04R 1/1066
See application file for complete search history.

(56) **References Cited**

U.S. PATENT DOCUMENTS

D328,074 S *	7/1992	Yamazaki et al.	D14/205
D453,015 S *	1/2002	Yuyama	D14/205
D456,383 S *	4/2002	Chen	D14/188
D467,895 S *	12/2002	Hirano	D14/192
6,493,453 B1 *	12/2002	Glendon	381/322
D484,485 S *	12/2003	Matsuoka	D14/205
D491,163 S *	6/2004	Green	D14/205
D504,414 S *	4/2005	Yoshida	D14/192
D505,414 S *	5/2005	Ko et al.	D14/223
D540,302 S *	4/2007	Hagiwara et al.	D14/205
D557,684 S *	12/2007	Pundsack et al.	D14/205
D585,870 S *	2/2009	Zheng et al.	D14/205
D585,871 S *	2/2009	Lee	D14/205
D592,182 S *	5/2009	Sanguinetti	D14/205

D592,640 S *	5/2009	Tkachuk	D14/205
D625,705 S *	10/2010	Ohuri et al.	D14/205
D632,668 S *	2/2011	Brunner et al.	D14/205
D637,176 S *	5/2011	Brunner et al.	D14/205
D643,833 S *	8/2011	Lee et al.	D14/223
D652,406 S *	1/2012	Lee et al.	D14/205
D657,344 S *	4/2012	Brunner et al.	D14/205
D660,824 S *	5/2012	Hardi et al.	D14/205
D662,078 S *	6/2012	Leung	D14/205
D706,241 S *	6/2014	Szymanski et al.	D14/205
D712,882 S *	9/2014	Wang	D14/223
D717,772 S *	11/2014	Yang	D14/223

FOREIGN PATENT DOCUMENTS

JP	1351986	2/2009
JP	1411708	4/2011

OTHER PUBLICATIONS

Catalog of "Steez" issued on Sep. 2011.
Pioneer Headphone & Accessories Catalog issued on Nov. 2010.

* cited by examiner

Primary Examiner — Paula Greene

(74) *Attorney, Agent, or Firm* — Drinker Biddle & Reath LLP

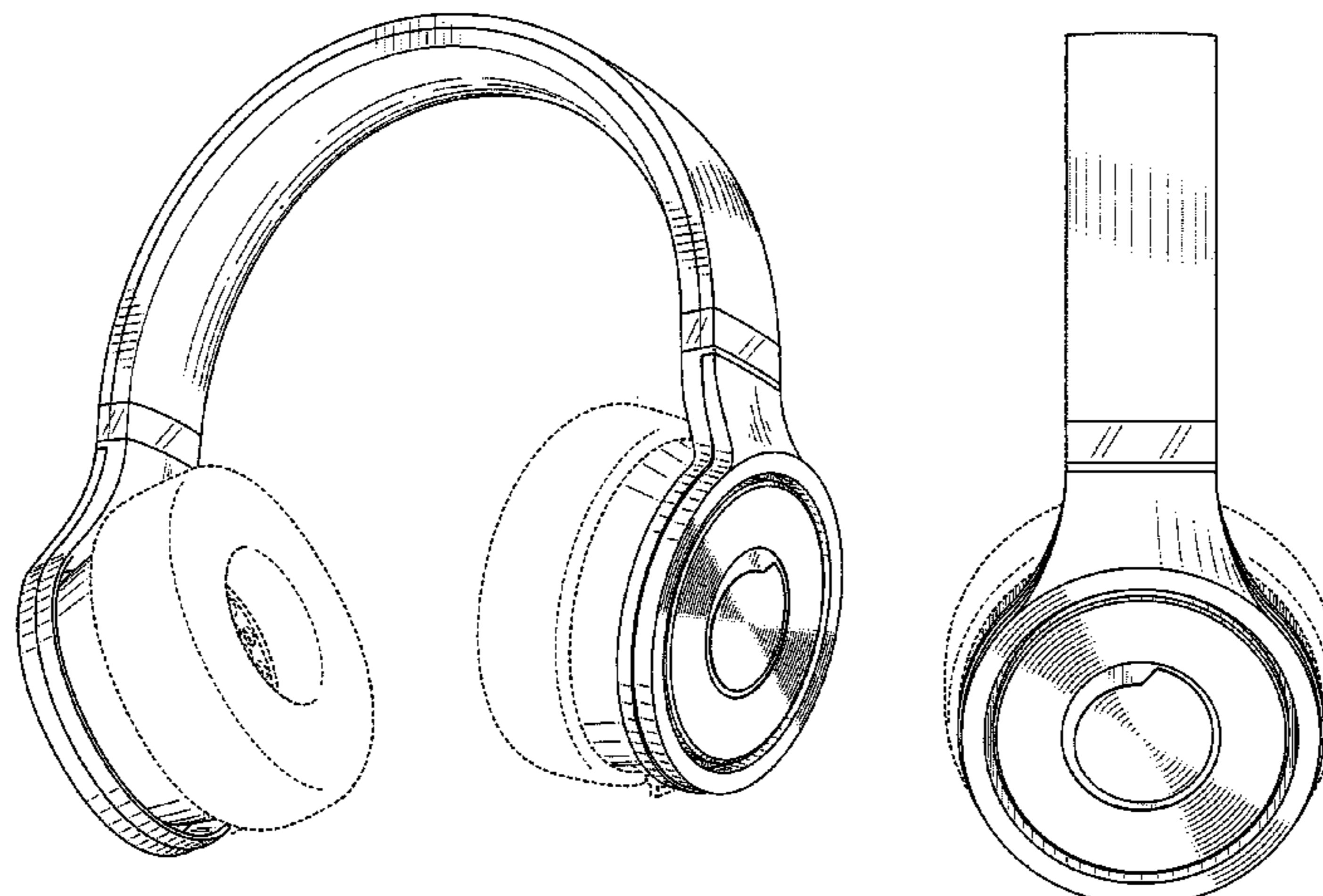
(57) **CLAIM**

The ornamental design for the headphone, as shown and described.

DESCRIPTION

FIG. 1 is a perspective view of front, top and right side of the headphone showing my new design;
FIG. 2 is a front view thereof;
FIG. 3 is a rear view thereof;
FIG. 4 is a left side view thereof;
FIG. 5 is a right side view thereof;
FIG. 6 is a top view thereof; and,
FIG. 7 is a bottom view thereof.
The portions of the article in broken lines form no part of the claimed design.

1 Claim, 7 Drawing Sheets



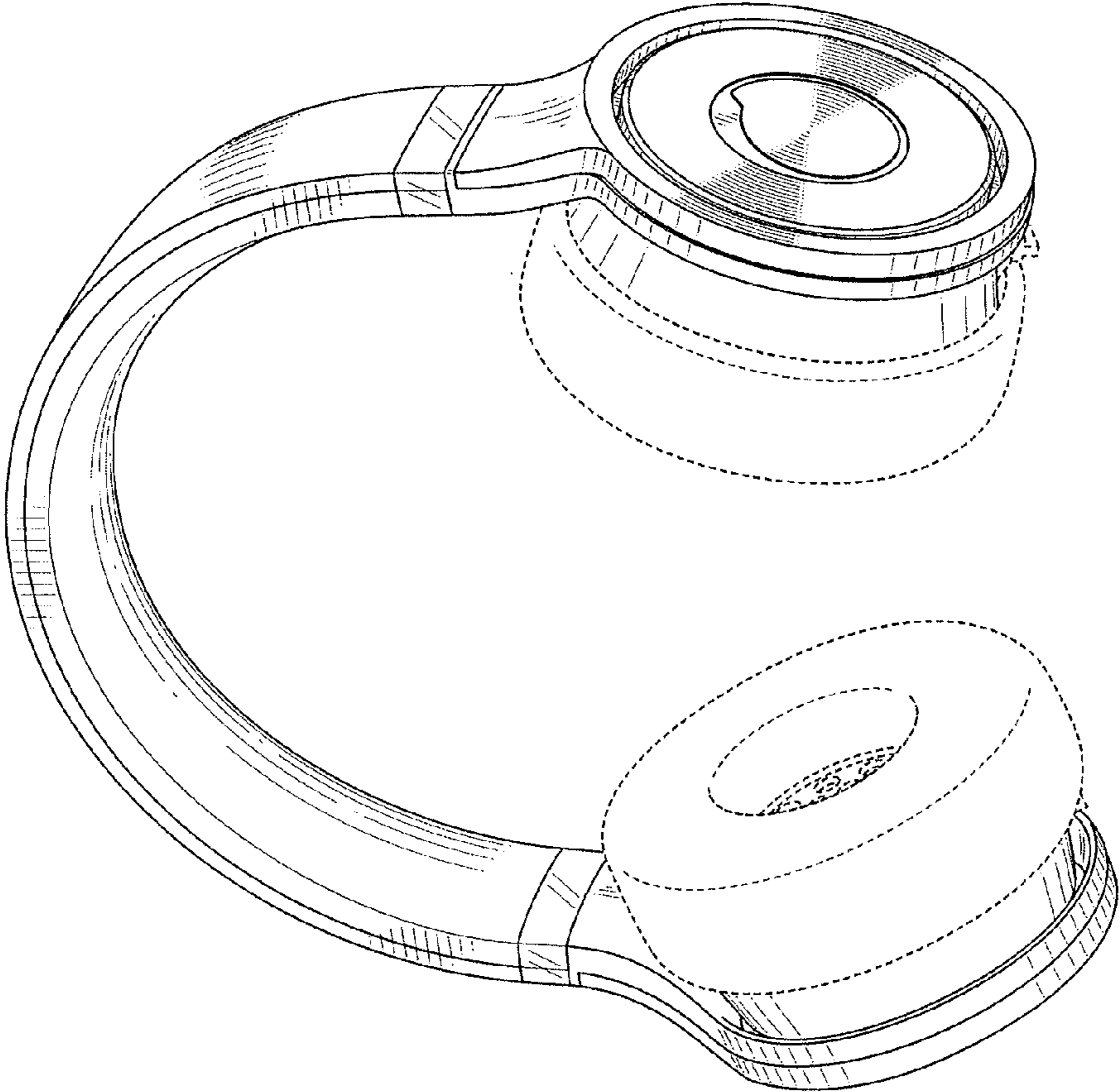


FIG. 1

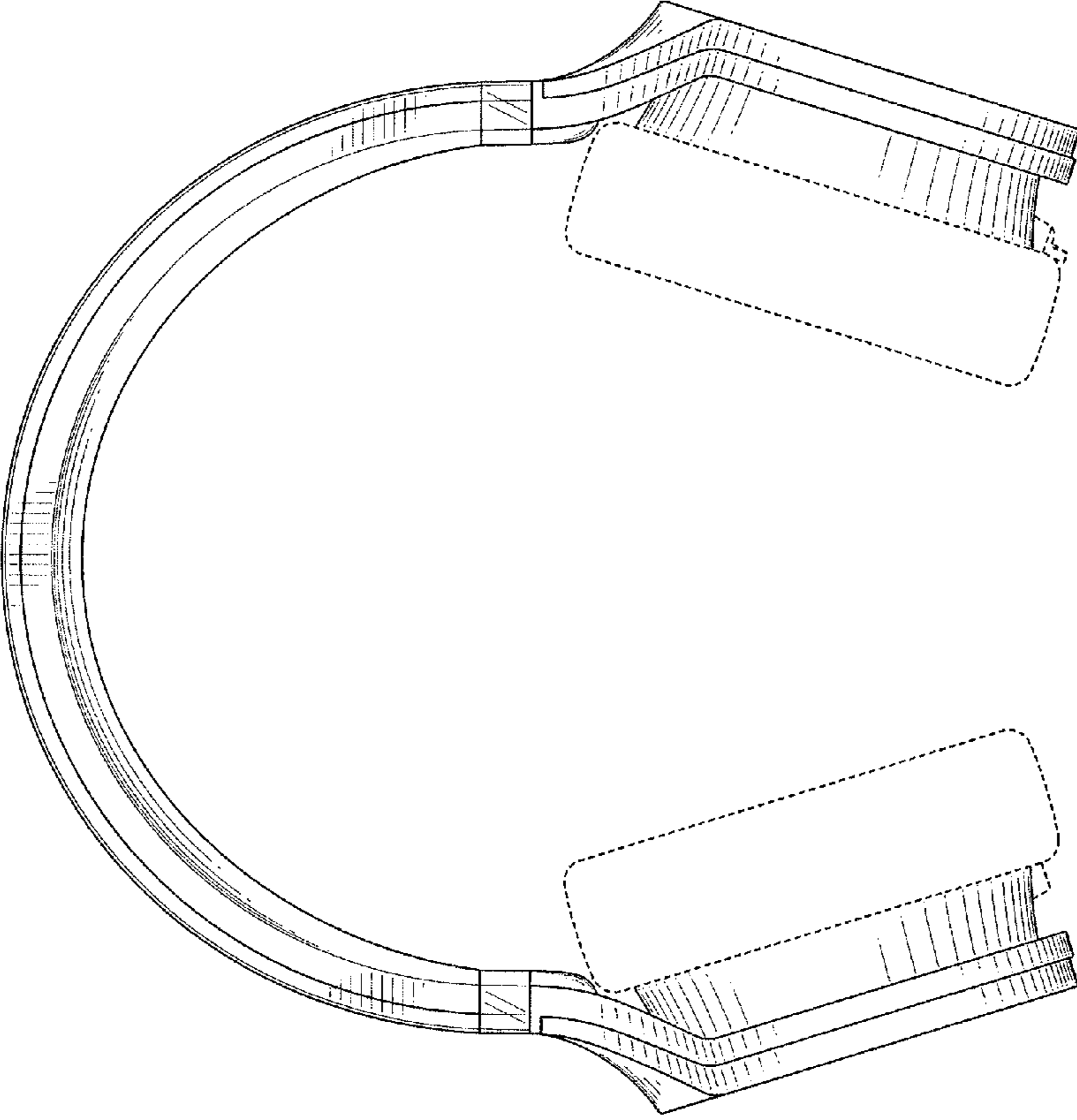


FIG. 2

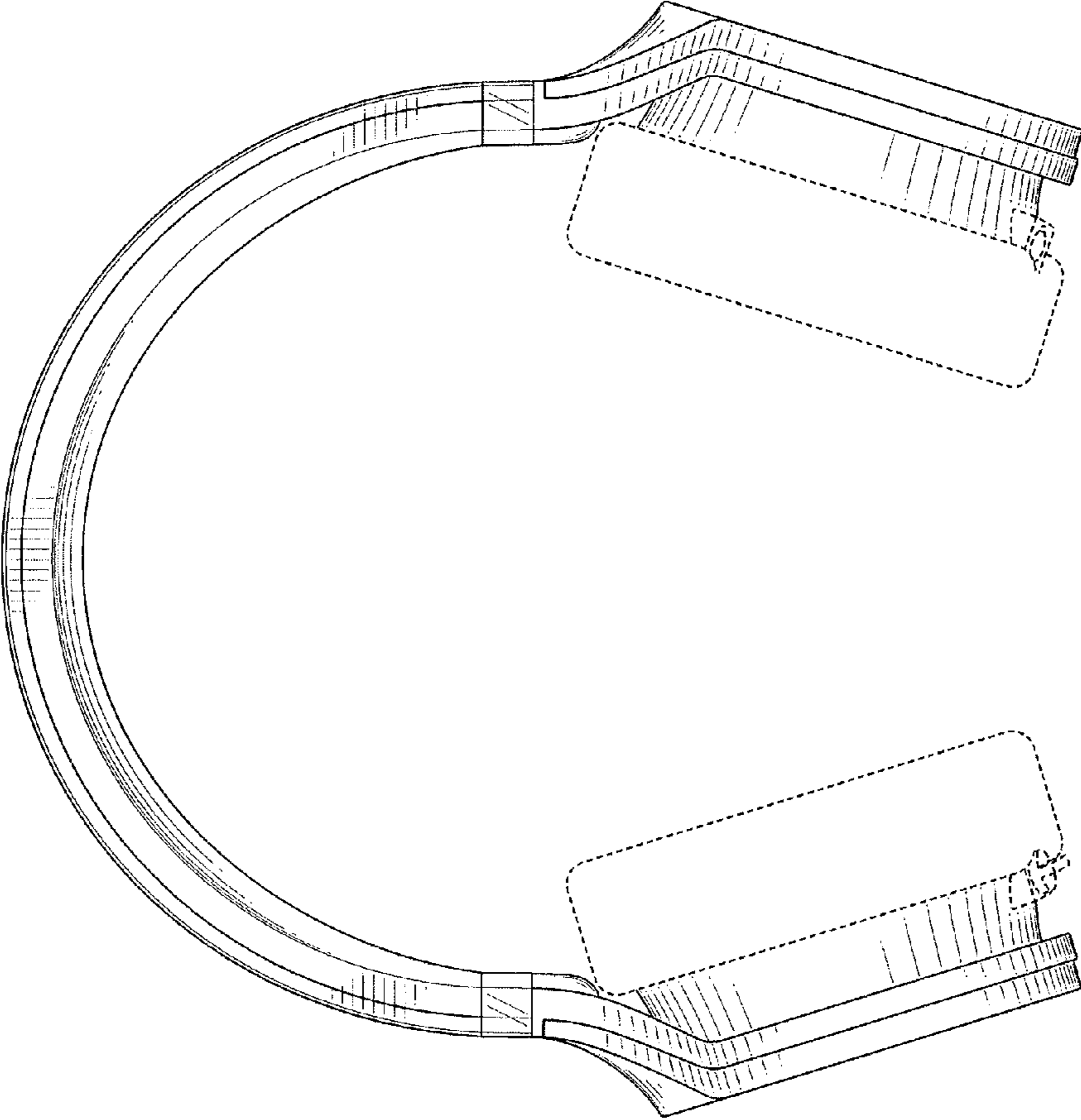


FIG. 3

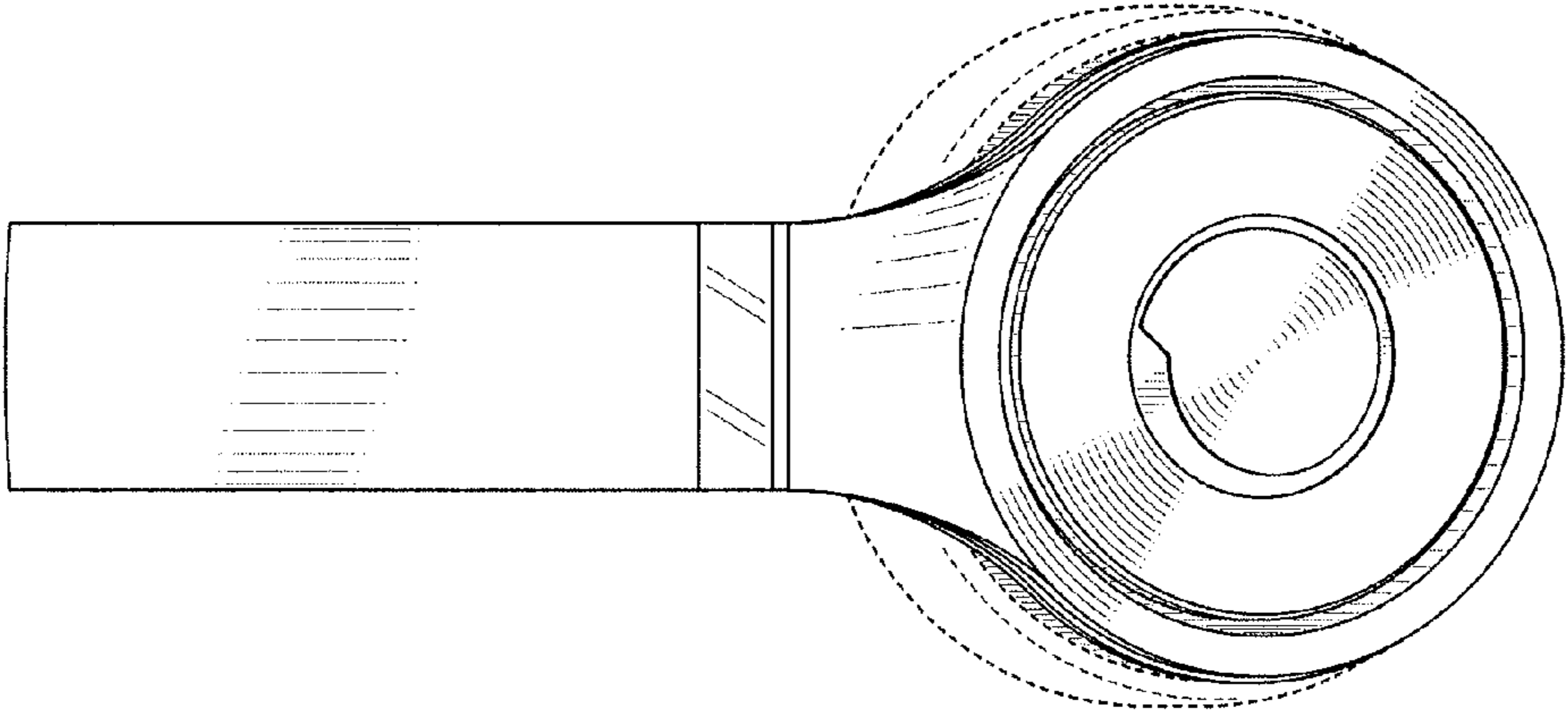


FIG. 4

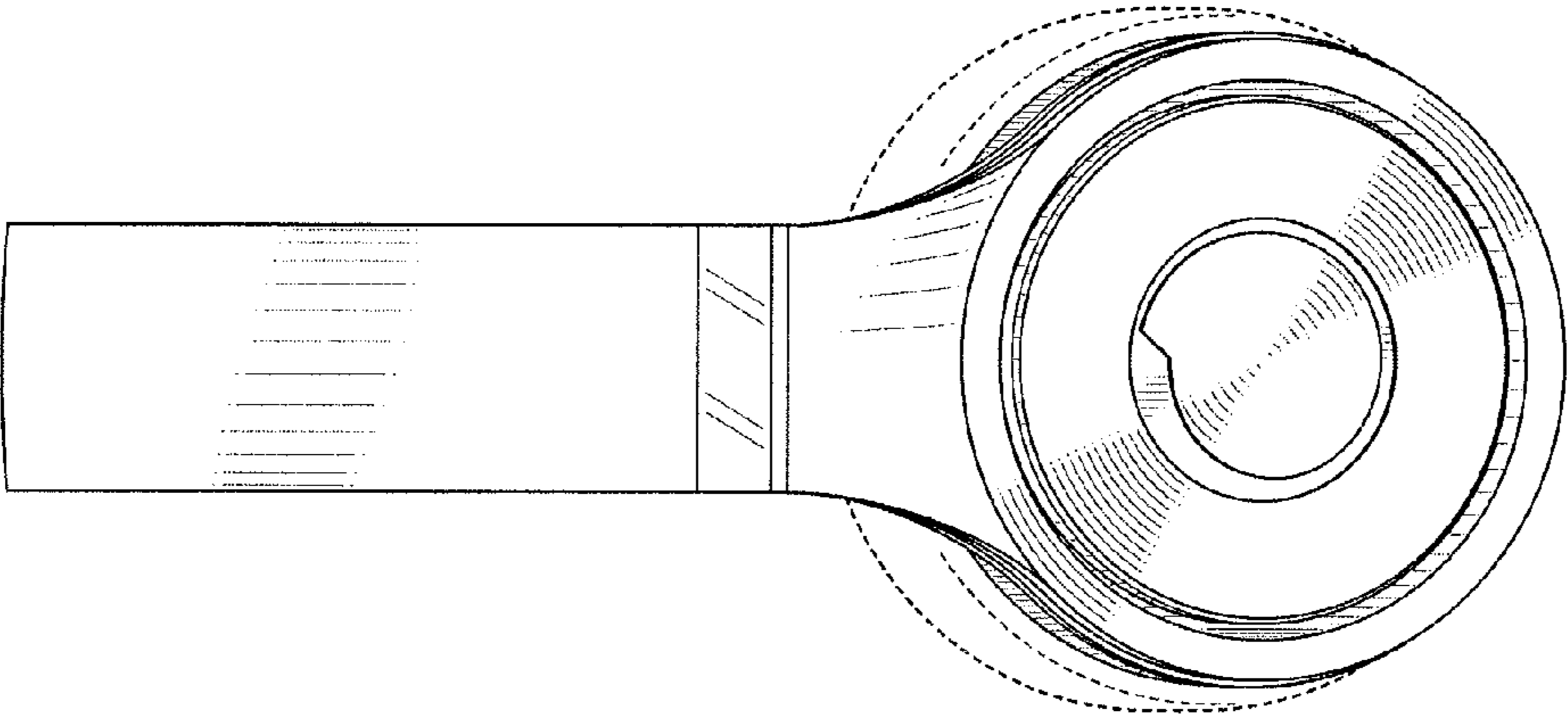


FIG. 5

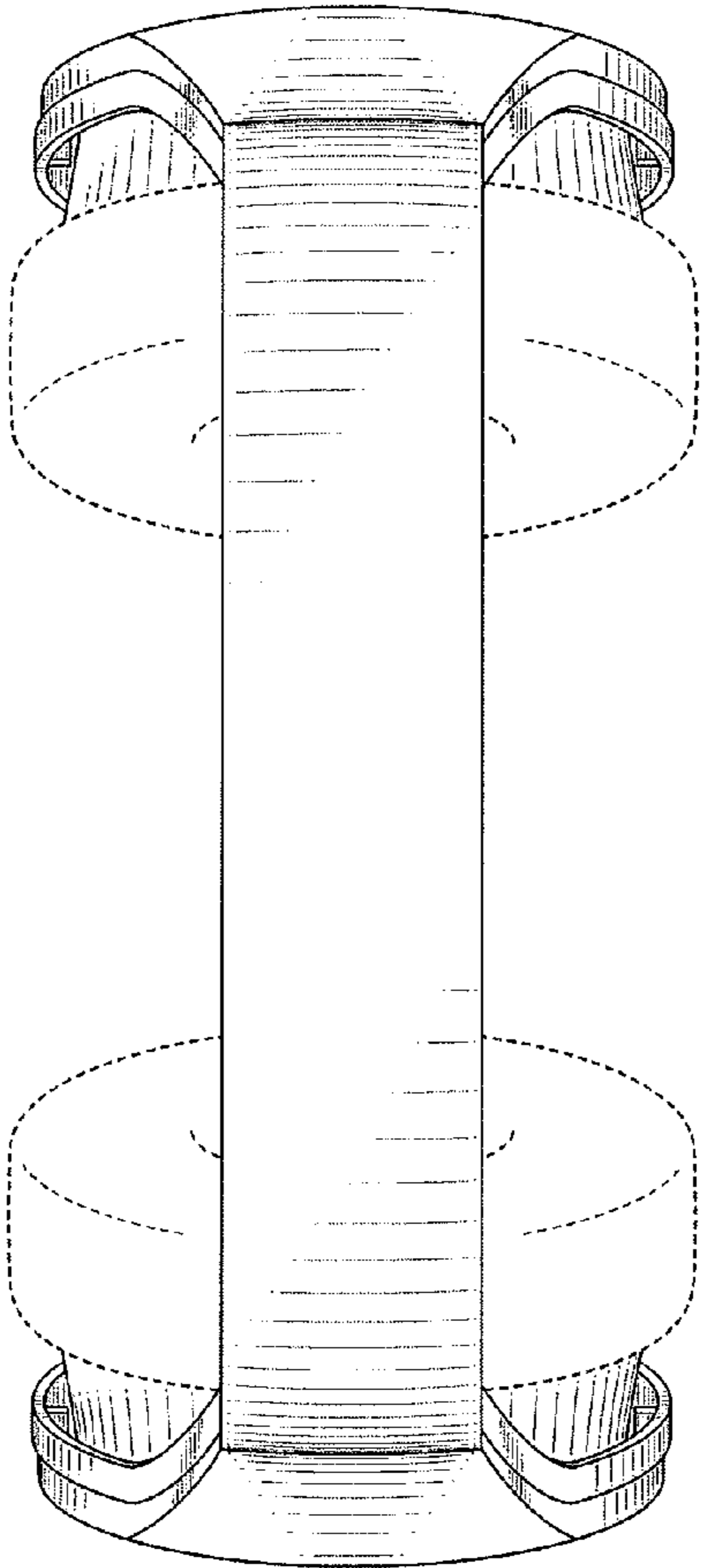


FIG. 6

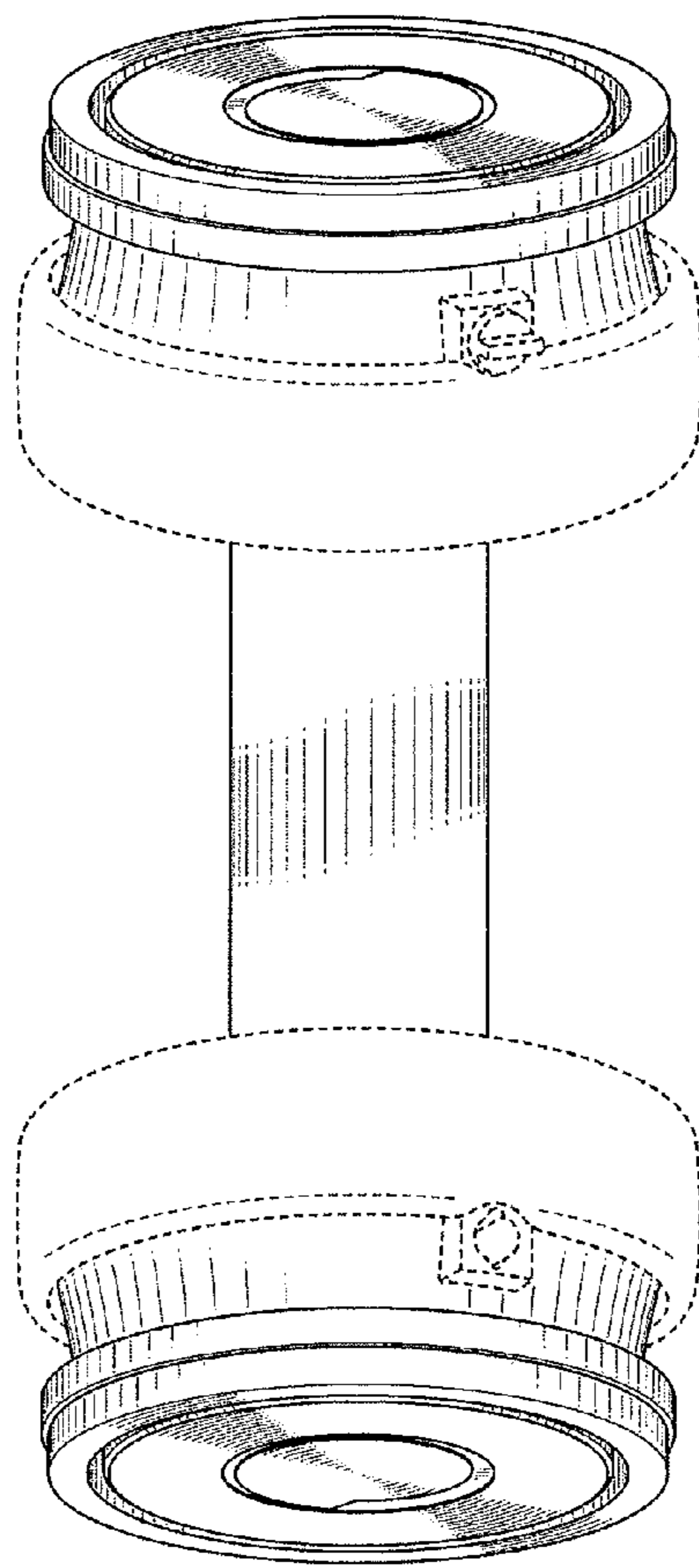


FIG. 7