



US00D732501S

(12) **United States Design Patent**
Isaacs et al.

(10) **Patent No.:** **US D732,501 S**
(45) **Date of Patent:** **** Jun. 23, 2015**

(54) **BASE FOR A COMMUNICATION DEVICE**
(71) Applicant: **Motorola Mobility LLC**, Libertyville, IL (US)
(72) Inventors: **Dickon Isaacs**, Chicago, IL (US); **Billy Ho**, Shatin (HK); **Tu Yun Hua**, Shenzhen (CN); **Norman Tse**, Shatin (HK); **Hu Jiang**, Shenzhen (CN); **Malcolm Paton**, Shatin (HK); **Lesley Taylor**, London (GB); **Adrian Bennett**, London (GB); **Chris Smith**, London (GB)

(73) Assignee: **Motorola Mobility LLC**, Chicago, IL (US)

(**) Term: **14 Years**

(21) Appl. No.: **29/441,652**

(22) Filed: **Jan. 8, 2013**

(51) **LOC (10) Cl.** **14-03**

(52) **U.S. Cl.**
USPC **D14/142**

(58) **Field of Classification Search**
USPC D14/130, 140, 140.3, 142, 147-151, D14/329, 330, 434, 447, 241, 251, 253; D13/107, 108; 379/428.01-428.04, 379/440, 446; 320/110, 113-115
CPC H04M 1/04; H04M 11/00; H04M 1/02; H04M 1/6041; H04M 1/0289; H04M 1/0297; H04M 1/03; B60R 11/0258; G06Q 30/00
See application file for complete search history.

(56) **References Cited**

U.S. PATENT DOCUMENTS

D335,667 S * 5/1993 Kawakami et al. D14/142
D419,998 S * 2/2000 Leifer D14/150

D440,586 S * 4/2001 Hall et al. D16/202
D468,305 S * 1/2003 Ma et al. D14/253
7,054,532 B2 * 5/2006 Forbes et al. 385/122
D558,739 S * 1/2008 Andre et al. D14/217
D575,275 S * 8/2008 Andre et al. D14/217
D596,626 S * 7/2009 Andre et al. D14/240
D602,858 S * 10/2009 Ellis et al. D13/108
D623,641 S * 9/2010 Harden et al. D14/253
D641,741 S * 7/2011 Behar D14/242
D662,491 S * 6/2012 Andre et al. D14/217
D686,595 S * 7/2013 Andre et al. D14/217
2014/0084865 A1 * 3/2014 Yeh et al. 320/110
2014/0169605 A1 * 6/2014 Tinaphong et al. 381/334

* cited by examiner

Primary Examiner — Carla Jobe Wright
Assistant Examiner — Holly E Thurman

(57) **CLAIM**

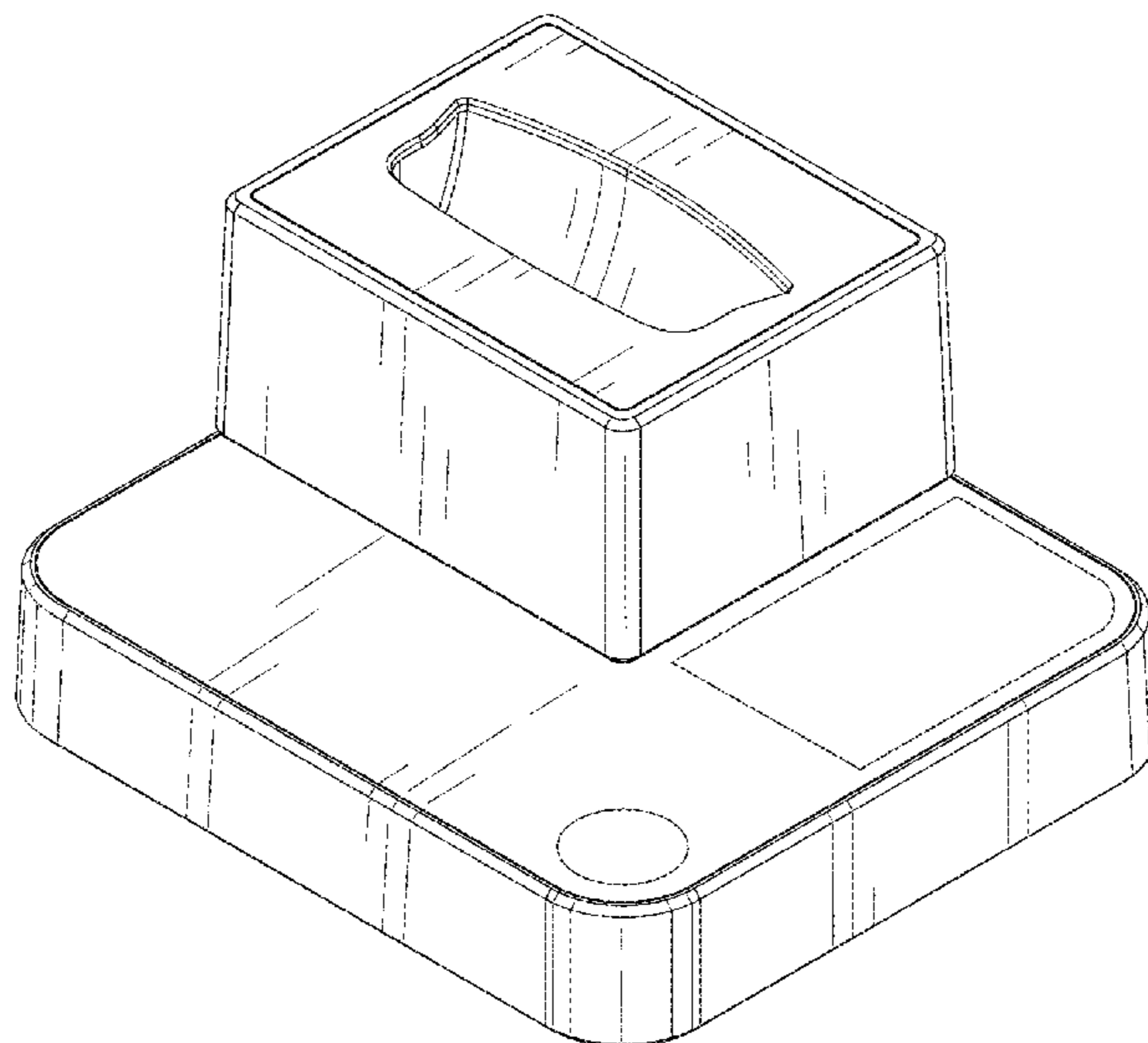
The ornamental design for a base for a communication device, as shown and described.

DESCRIPTION

FIG. 1 is a front perspective view of an ornamental design for a base for a communication device;
FIG. 2 is a rear perspective view thereof;
FIG. 3 is a top view thereof;
FIG. 4 is a bottom view thereof;
FIG. 5 is a first side view thereof;
FIG. 6 is a second side view thereof;
FIG. 7 is a rear view thereof; and,
FIG. 8 is a front view thereof.

The broken lines shown in FIGS. 1-8, that are immediately adjacent to the shaded areas, and define unshaded regions, represent the bounds of the claimed design, while all other broken lines are directed to environment and are for illustrative purposes only; the broken lines form no part of the claimed design.

1 Claim, 5 Drawing Sheets



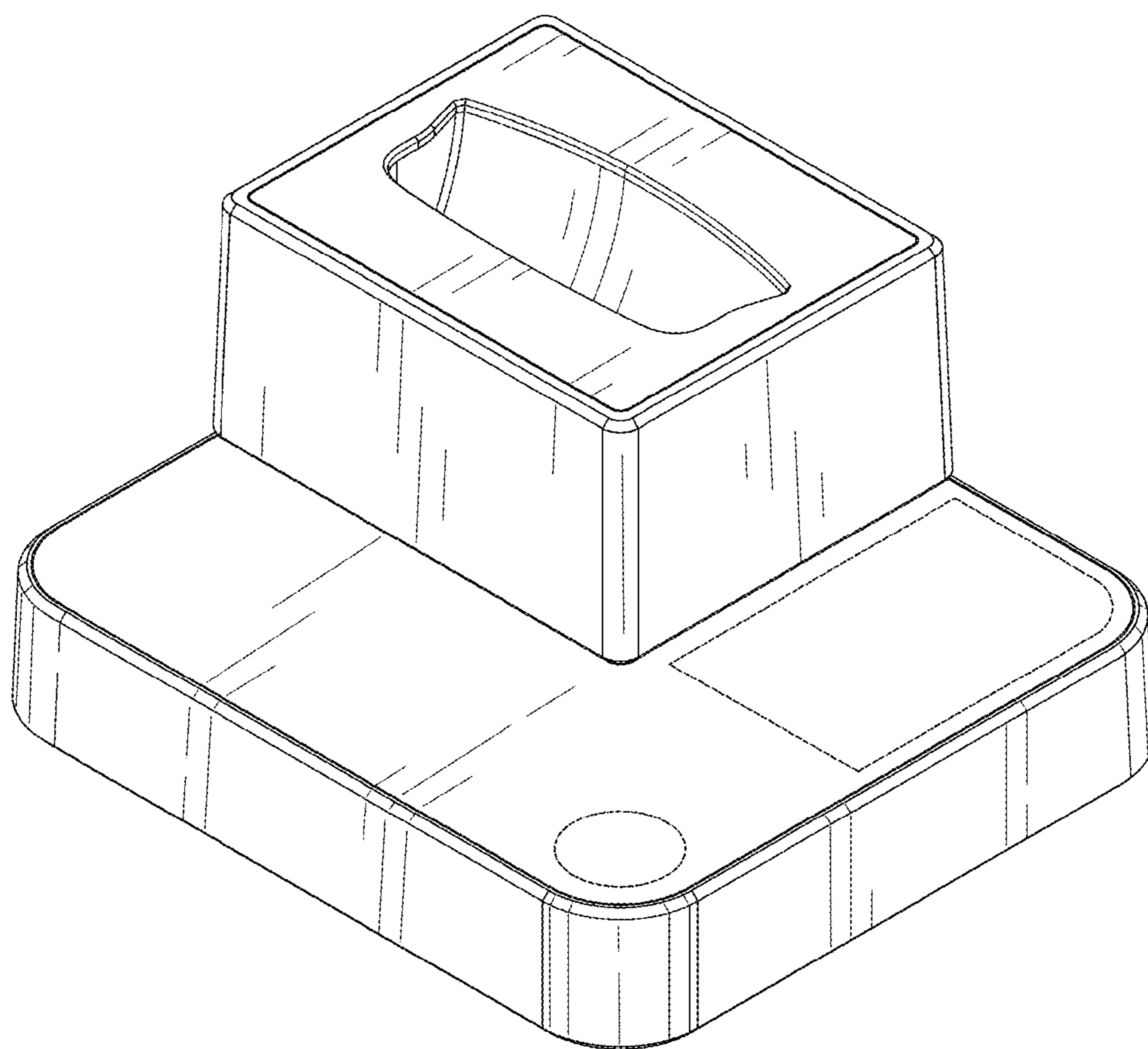


FIG. 1

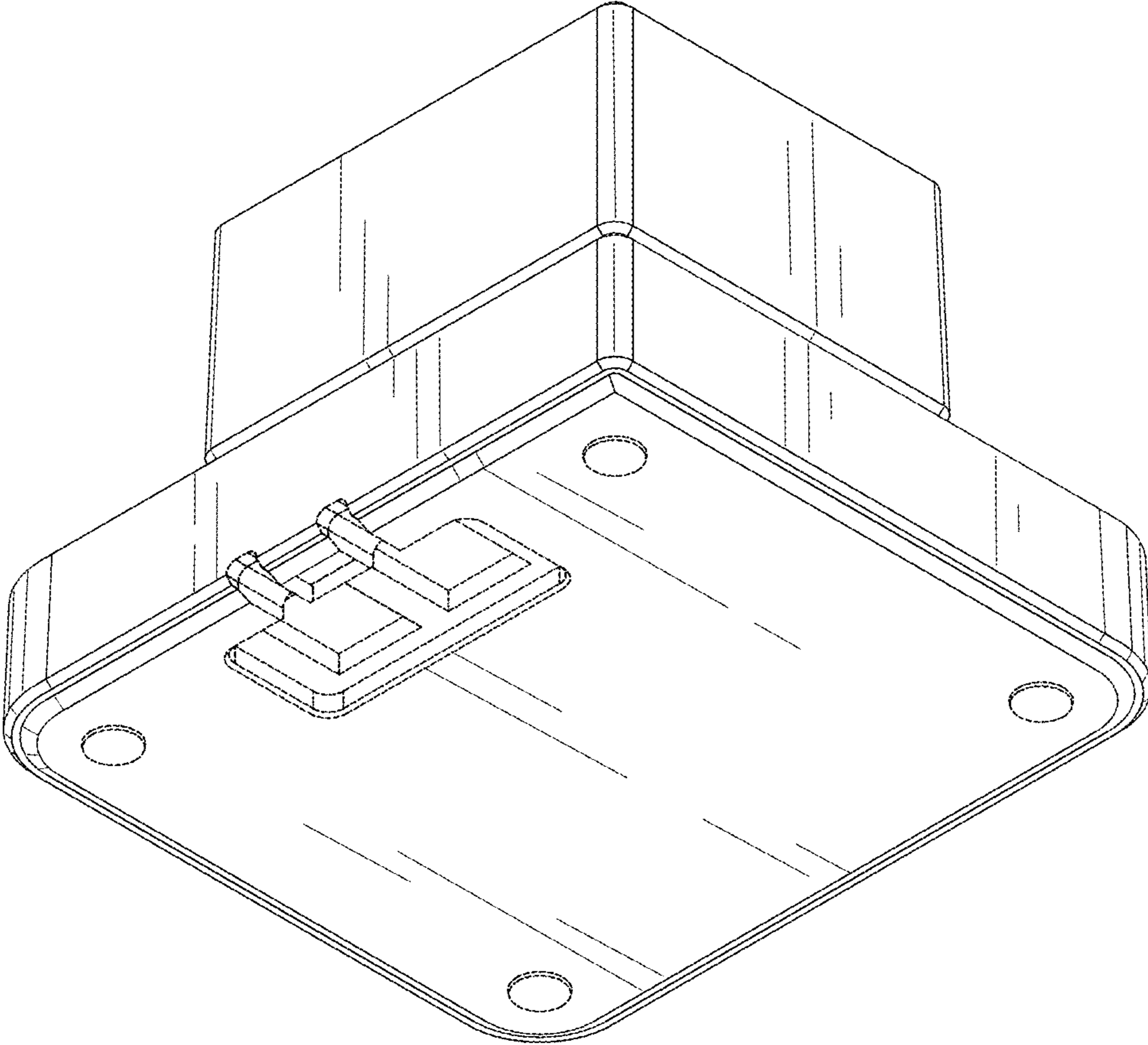


FIG. 2

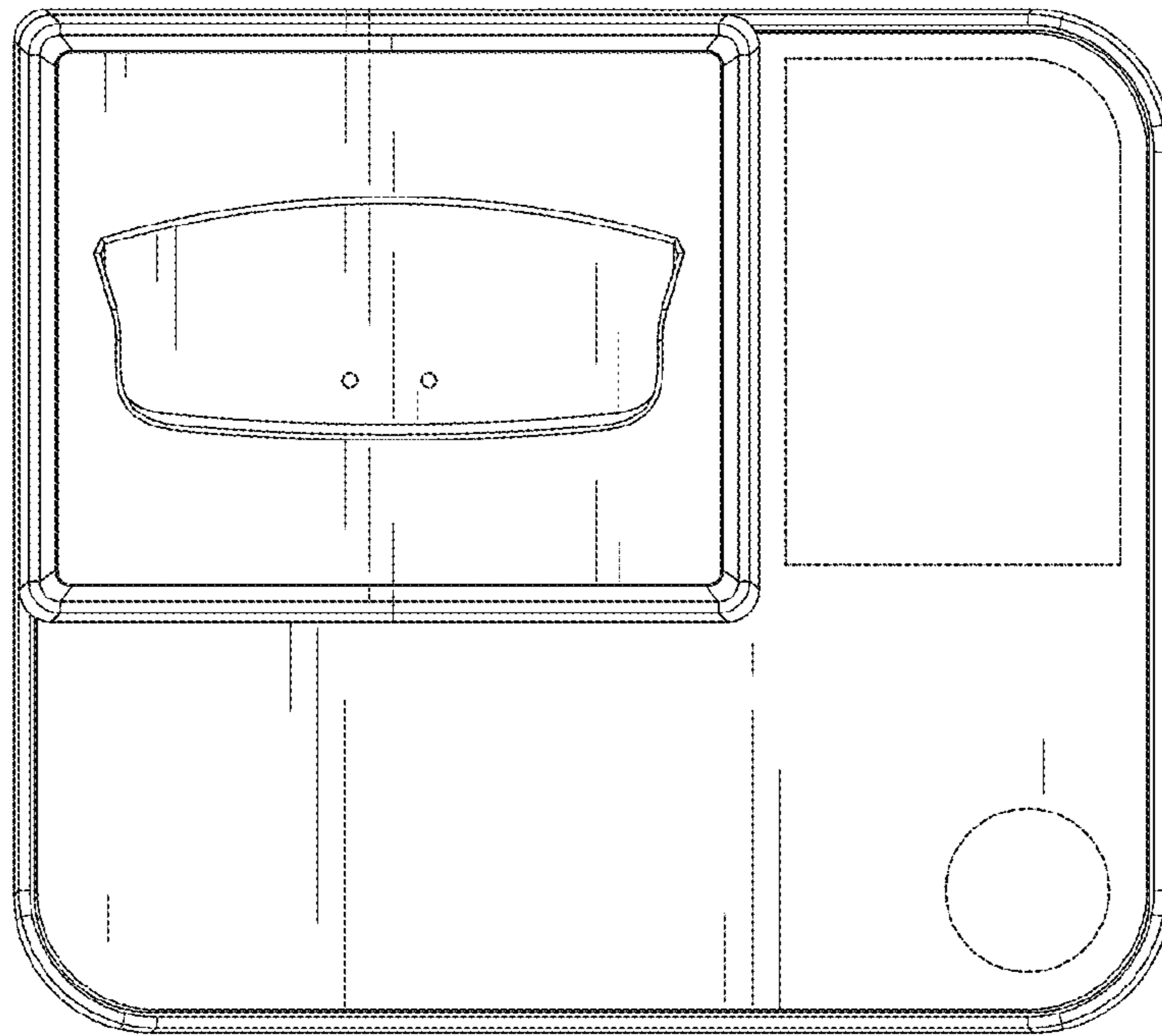


FIG. 3

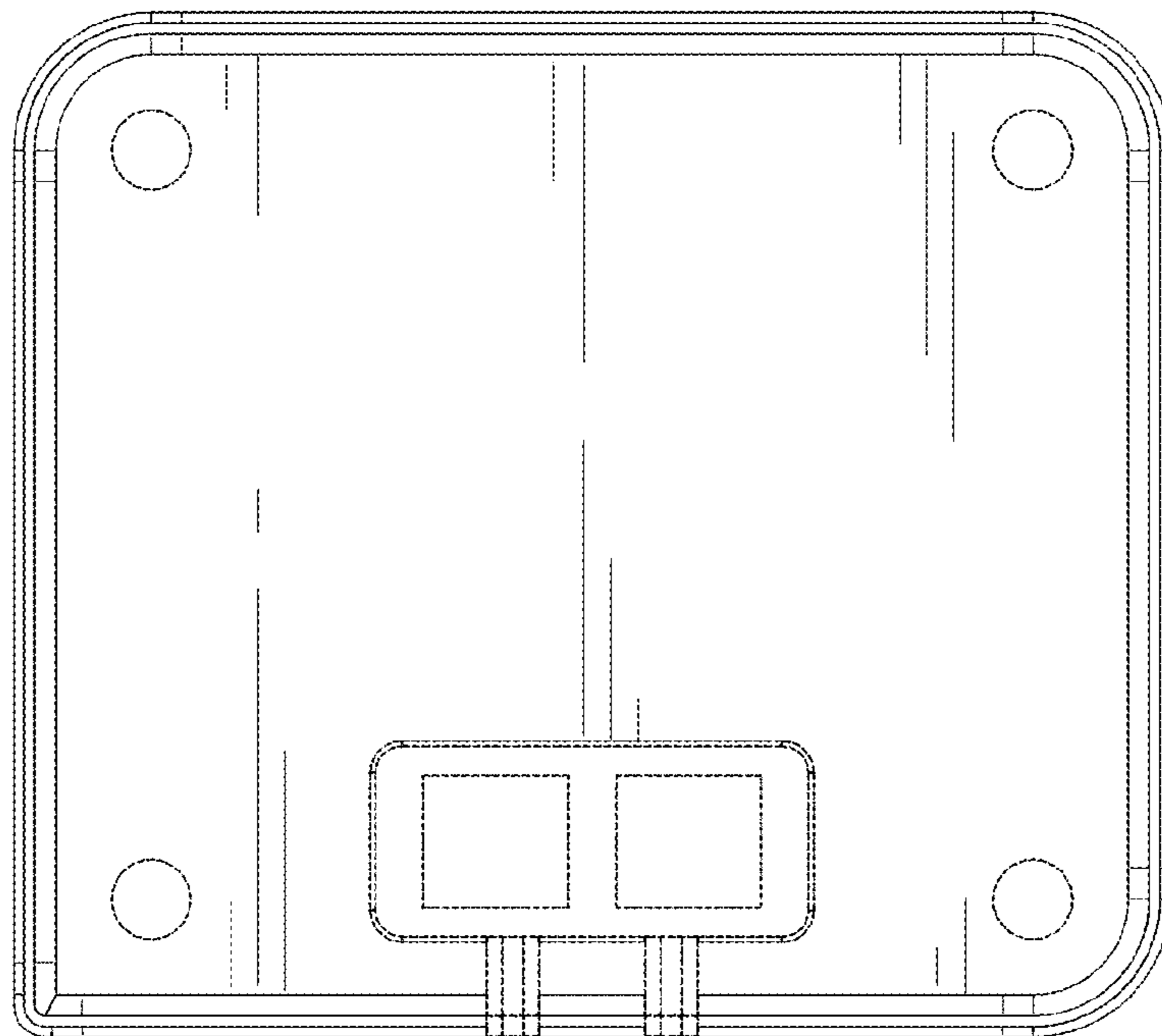


FIG. 4

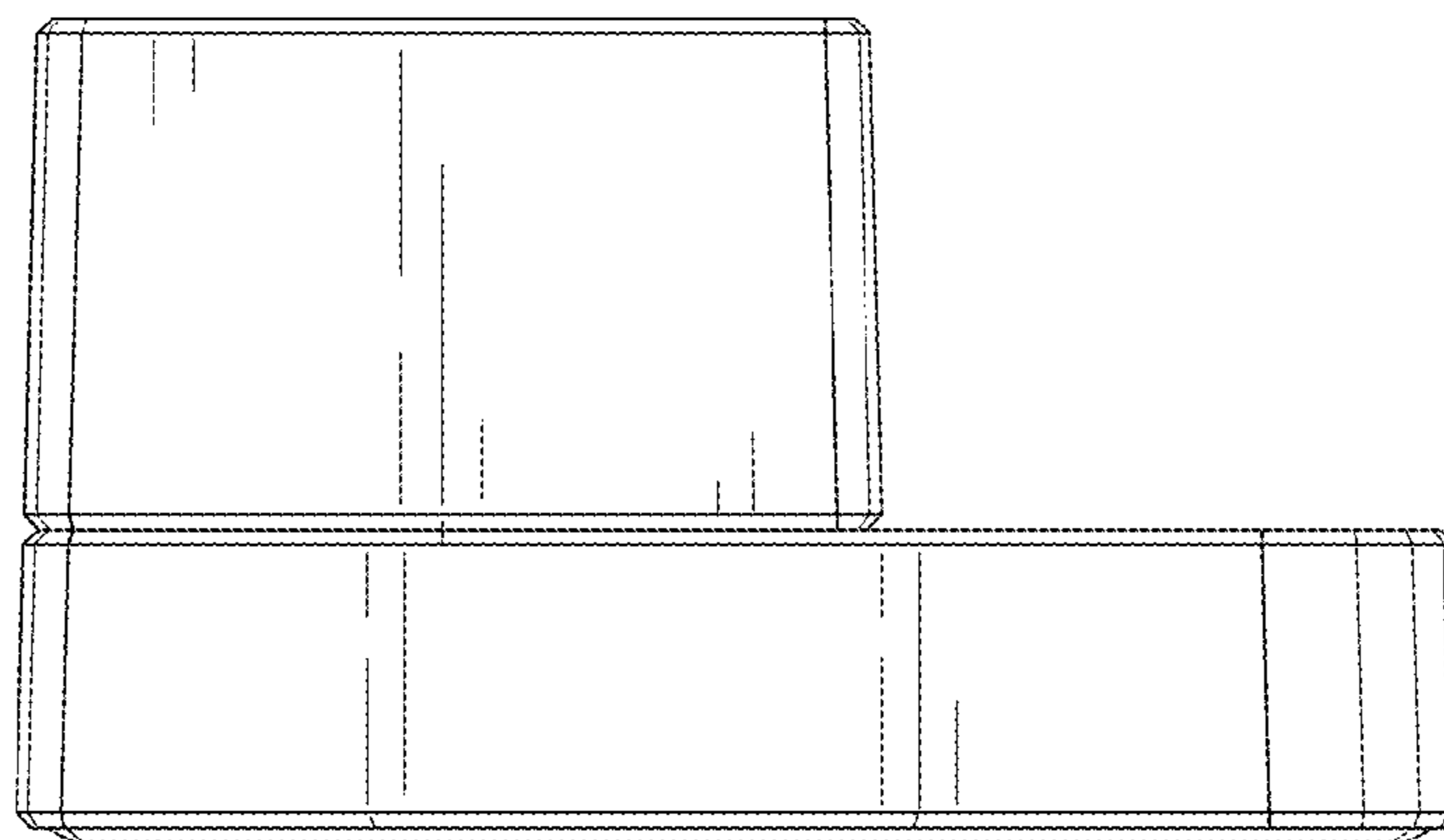


FIG. 5

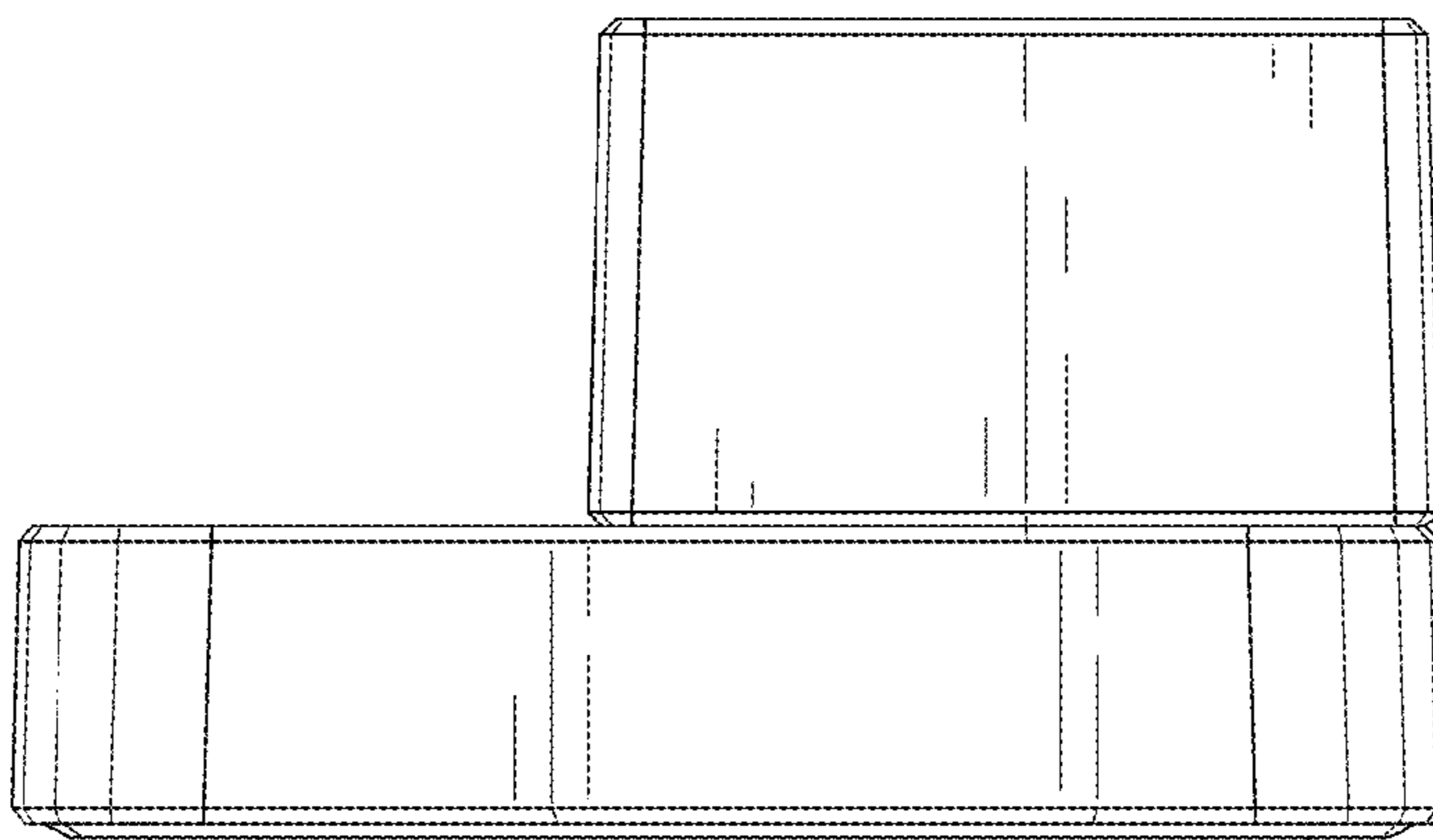


FIG. 6

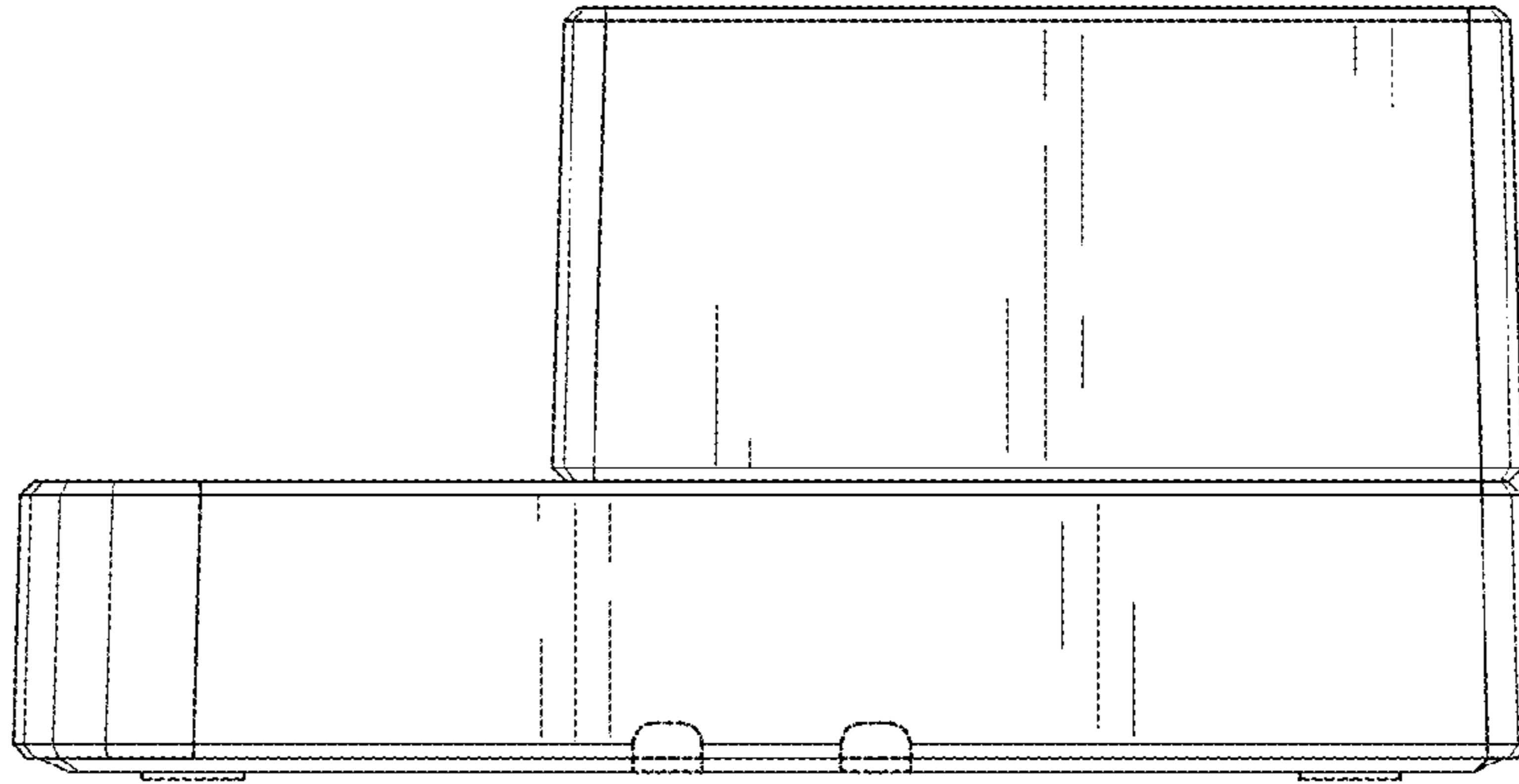


FIG. 7

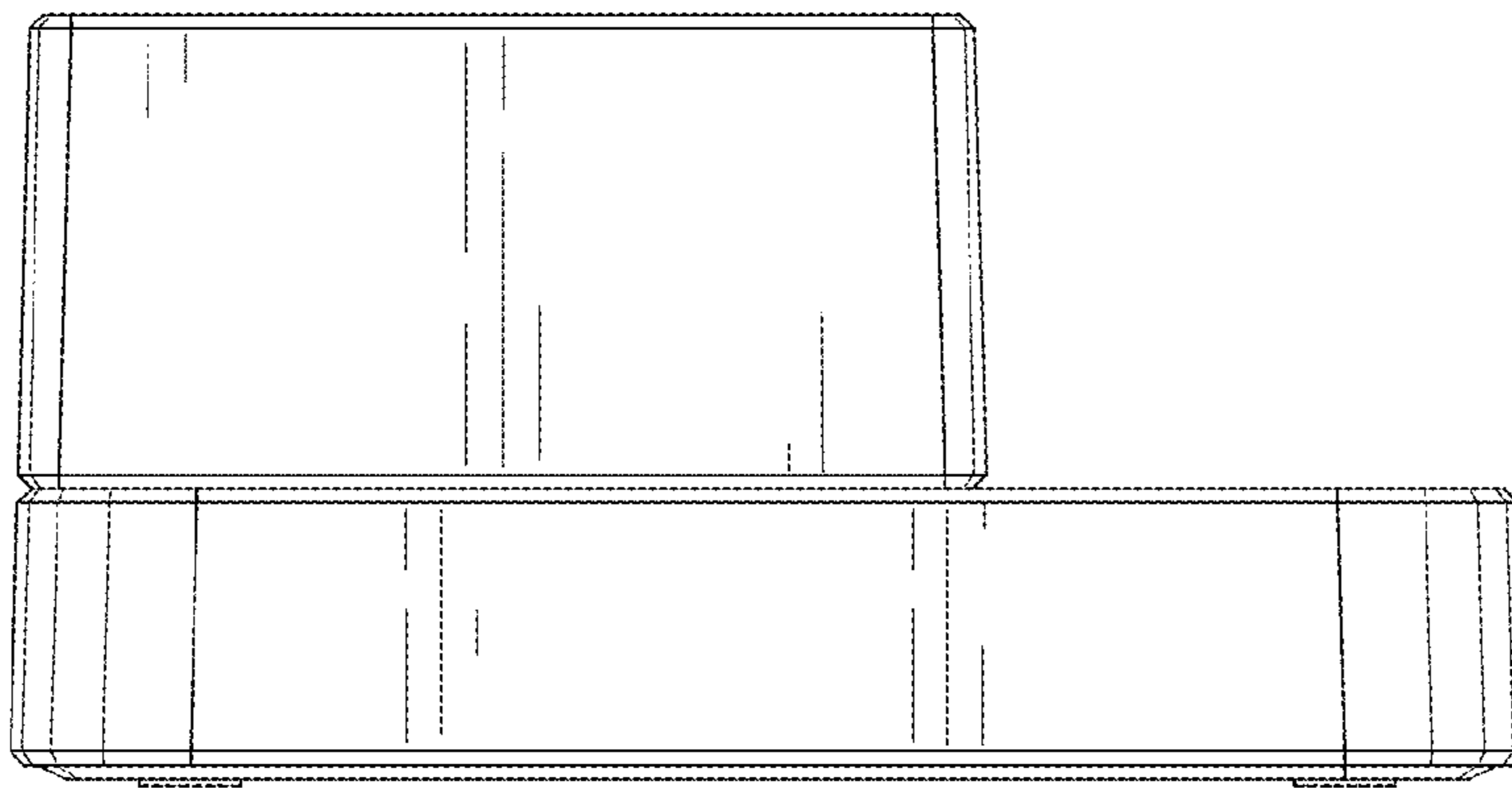


FIG. 8