



US00D732496S

(12) **United States Design Patent**  
**Mellingen et al.**

(10) **Patent No.:** **US D732,496 S**  
(45) **Date of Patent:** **\*\* Jun. 23, 2015**

(54) **VIDEO CONFERENCE SYSTEM ENDPOINT DISPLAY AND STAND**

(74) *Attorney, Agent, or Firm* — Edell, Shapiro & Finnan, LLC

(71) Applicant: **Cisco Technology, Inc.**, San Jose, CA (US)

(57) **CLAIM**

The ornamental design for a display for a video conference system endpoint display and stand, as shown and described.

(72) Inventors: **Torkel Mellingen**, Oslo (NO); **Audun Kollstad**, Oslo (NO); **Paul Daniel**, Oslo (NO); **Ian Sandmæl**, Oslo (NO); **Sondre Frost Urstad**, Oslo (NO)

**DESCRIPTION**

(73) Assignee: **Cisco Technology, Inc.**, San Jose, CA (US)

FIG. 1 is a front perspective view of a video conference system endpoint display and stand;  
FIG. 2 is a rear perspective view of a video conference system endpoint display and stand;  
FIG. 3 is a front elevation view of a video conference system endpoint display and stand;  
FIG. 4 is a rear elevation view of a video conference system endpoint display and stand;  
FIG. 5 is a side elevation view of a video conference system endpoint display and stand;  
FIG. 6 is a side elevation view of a video conference system endpoint display and stand;  
FIG. 7 is a top plan view of a video conference system endpoint display and stand;  
FIG. 8 is a bottom plan view of a video conference system endpoint display and stand;  
FIG. 9 is a front perspective view of a video conference system endpoint display and stand;  
FIG. 10 is a rear perspective view of a video conference system endpoint display and stand;  
FIG. 11 is a front elevation view of a video conference system endpoint display and stand;  
FIG. 12 is a rear elevation view of a video conference system endpoint display and stand;  
FIG. 13 is a side elevation view of a video conference system endpoint display and stand;  
FIG. 14 is a side elevation view of a video conference system endpoint display and stand;  
FIG. 15 is a top plan view of a video conference system endpoint display and stand; and  
FIG. 16 is a bottom plan view of a video conference system endpoint display and stand.  
Any portions shown using dashed lines are for illustrative purposes only and form no part of the claimed design.

(\*\*) Term: **14 Years**

(21) Appl. No.: **29/470,561**

(22) Filed: **Oct. 22, 2013**

(51) **LOC (10) Cl.** ..... **14-03**

(52) **U.S. Cl.**  
USPC ..... **D14/126**

(58) **Field of Classification Search**  
USPC ..... D14/125–134, 239, 371, 136, 374–377, D14/440, 450, 448, 336, 342, 159; 312/7.2; 348/836, 838, 180, 184, 325, 739; 248/917–924, 465; 345/104, 133, 156, 345/168, 87, 173; D21/329, 515, 577, 622, D21/333, 433, 448, 452, 450, 331, 505; D10/15, 26; 446/484, 175, 356; D6/477, 479, 300; D24/185; D34/14  
CPC ... G06F 1/1601; G06F 1/1643; H05K 5/0004; H05K 5/0017; H05K 5/02; H05K 5/0217  
See application file for complete search history.

(56) **References Cited**

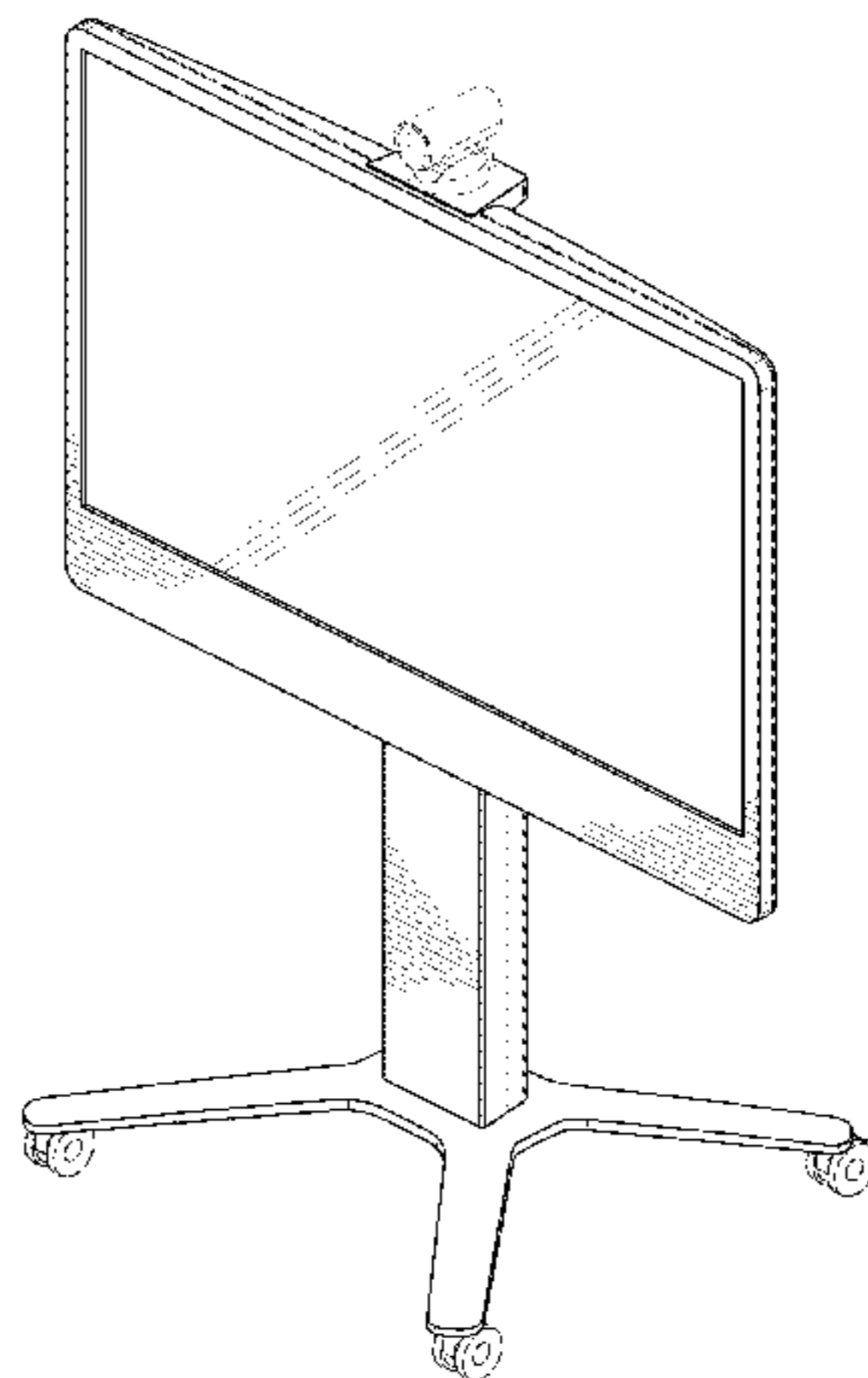
**U.S. PATENT DOCUMENTS**

D434,738 S \* 12/2000 Takemasa ..... D14/133  
D439,225 S \* 3/2001 Kita ..... D14/126

(Continued)

*Primary Examiner* — Raphael Barkai

**1 Claim, 16 Drawing Sheets**



(56)

**References Cited**

U.S. PATENT DOCUMENTS

D471,189 S *	3/2003	Bradley et al. ....	D14/308	D655,279 S *	3/2012	Buzzard et al. ....	D14/239
D486,915 S *	2/2004	Warschewske et al. ....	D24/185	8,286,977 B2 *	10/2012	Butler et al. ....	280/47.35
D541,267 S *	4/2007	Sagen et al. ....	D14/307	8,300,078 B2	10/2012	Lovhaugen et al.	
D559,210 S	1/2008	Brown et al.		D671,083 S *	11/2012	Kim et al. ....	D14/126
D559,211 S	1/2008	Brown et al.		8,542,264 B2 *	9/2013	Lu et al. ....	348/14.08
D583,781 S	12/2008	Derocher et al.		D718,260 S *	11/2014	Mellingen et al. ....	D14/126
D599,755 S *	9/2009	Jin et al. ....	D14/126	D718,264 S *	11/2014	Park et al. ....	D14/126
D615,514 S *	5/2010	Mellingen et al. ....	D14/126	D718,730 S *	12/2014	Andresen et al. ....	D14/126
D635,942 S *	4/2011	Kim et al. ....	D14/126	D720,315 S *	12/2014	Kim et al. ....	D14/126
D651,185 S	12/2011	Andresen		D720,317 S *	12/2014	Kamp et al. ....	D14/126
D653,245 S *	1/2012	Buzzard et al. ....	D14/239	2003/0058372 A1 *	3/2003	Williams et al. ....	348/836
				2010/0148458 A1 *	6/2010	Ross et al. ....	280/47.34
				2013/0083155 A1	4/2013	Andresen	

\* cited by examiner

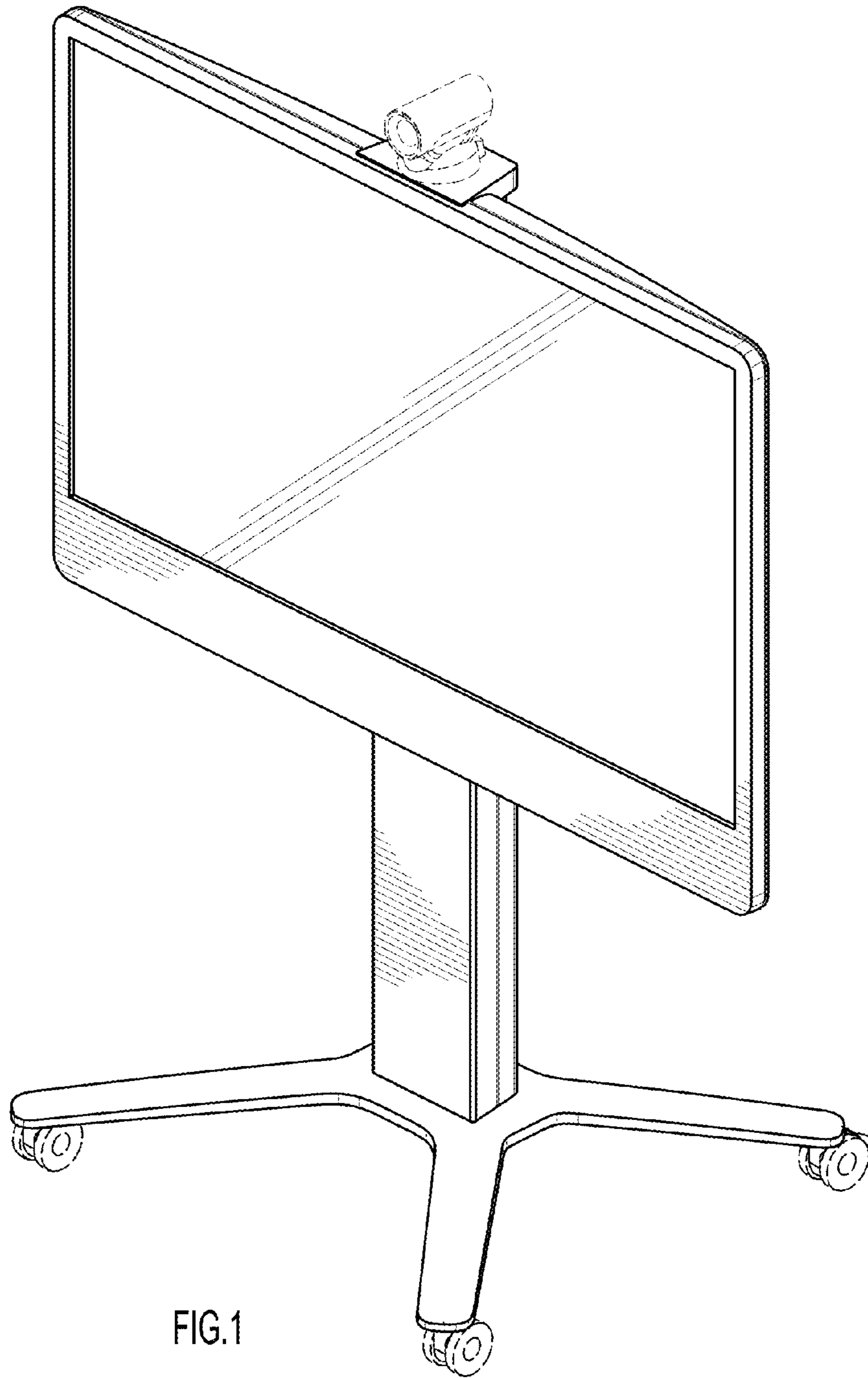


FIG.1

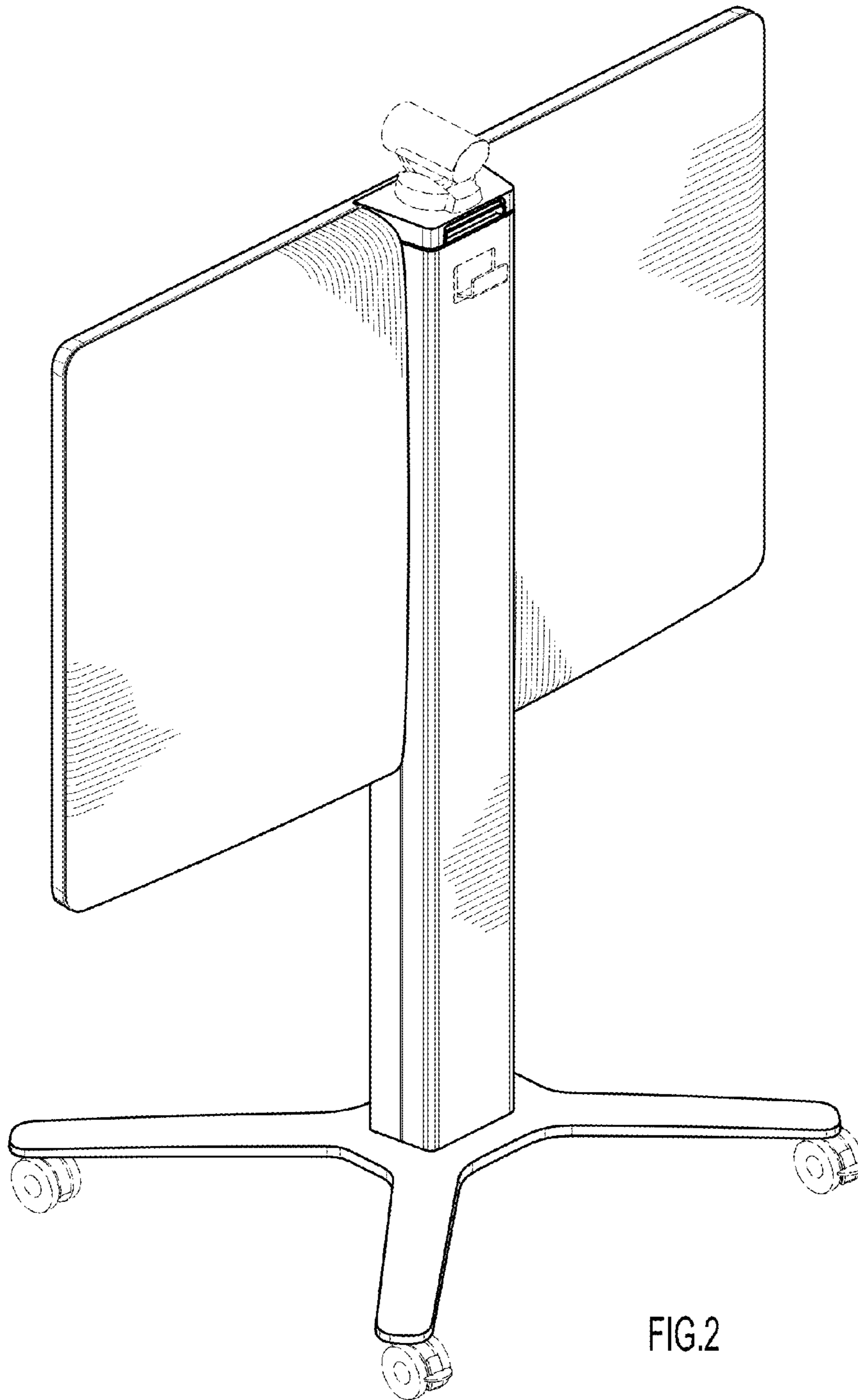


FIG.2

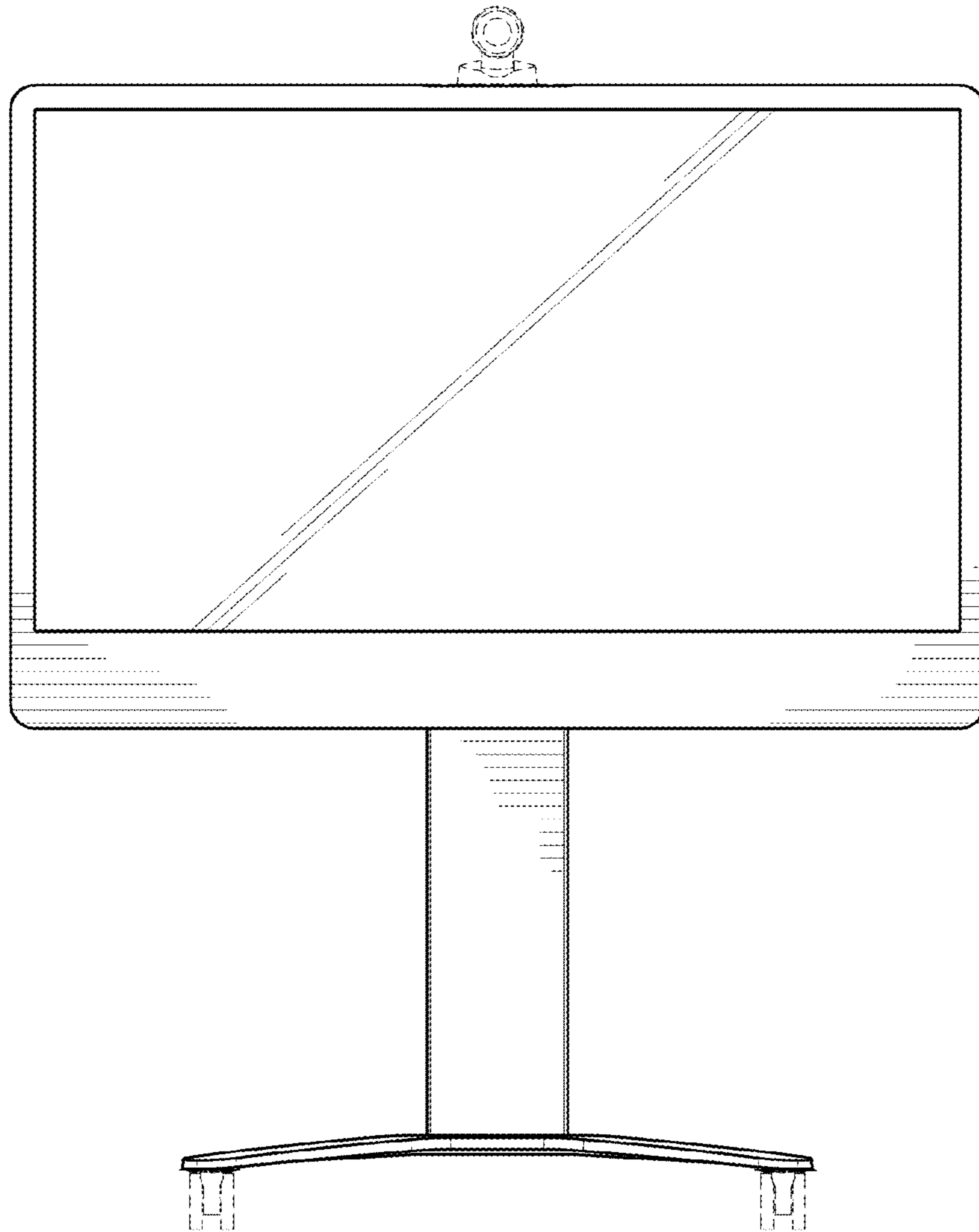


FIG.3

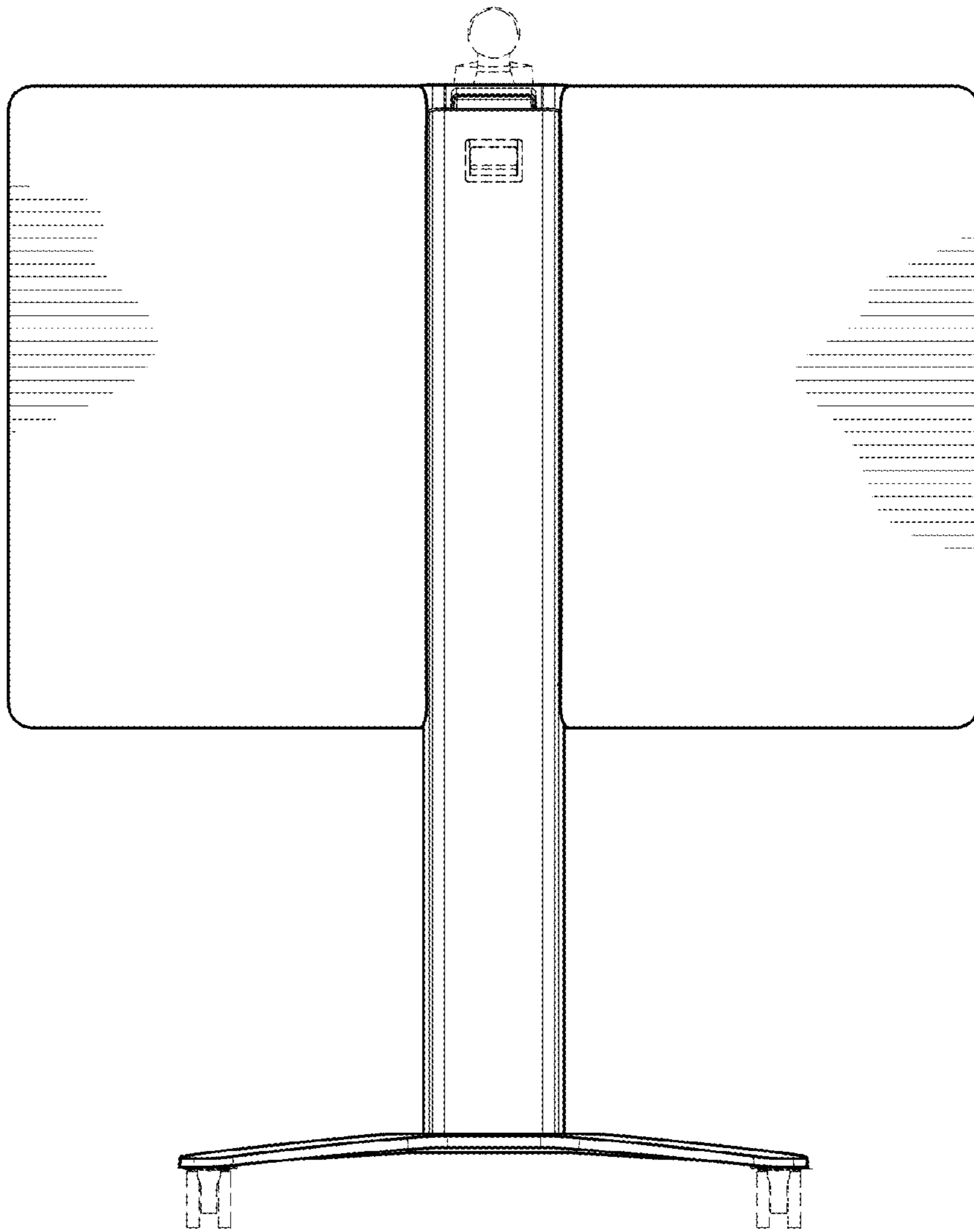


FIG.4

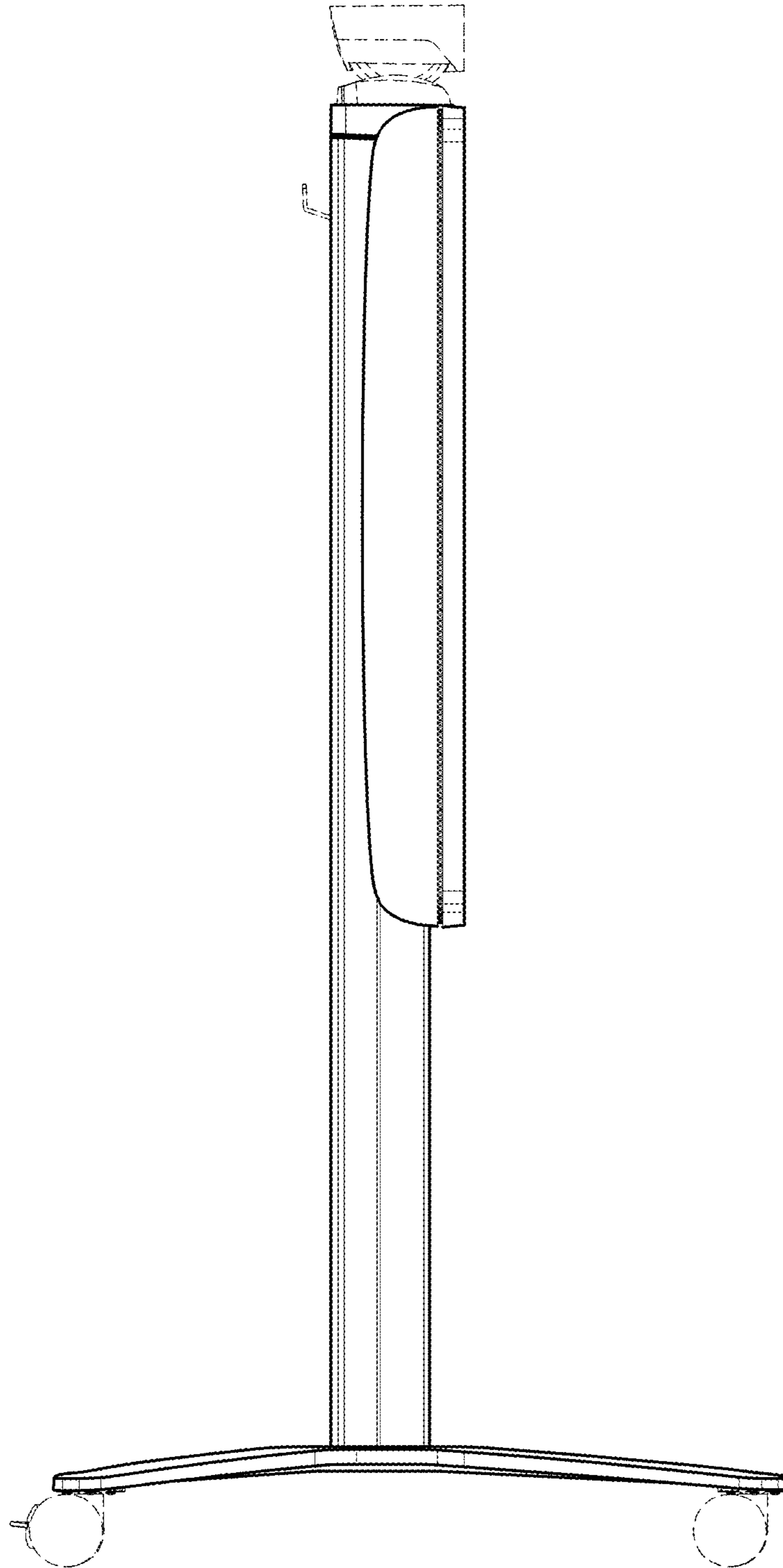


FIG.5

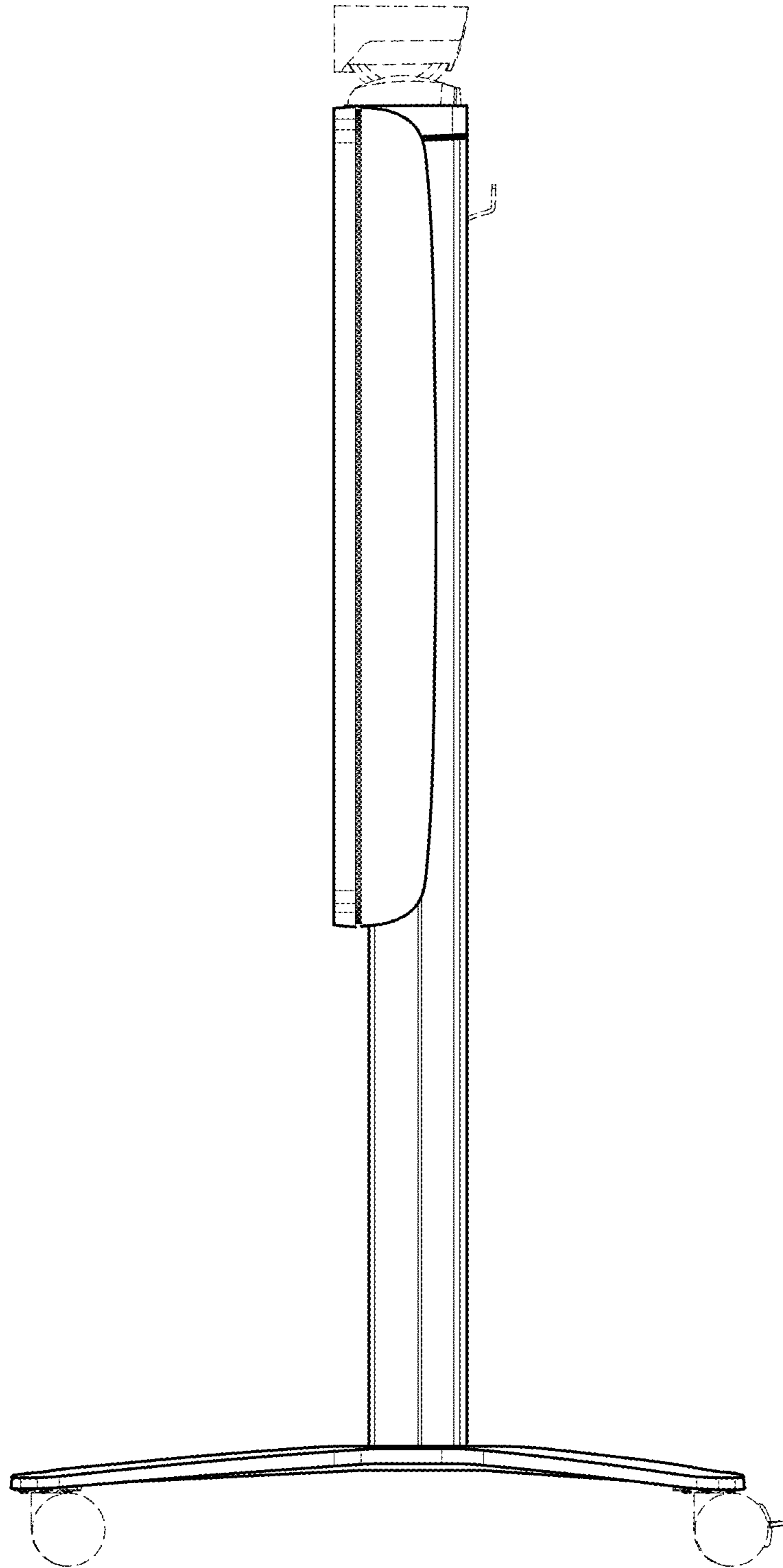


FIG.6



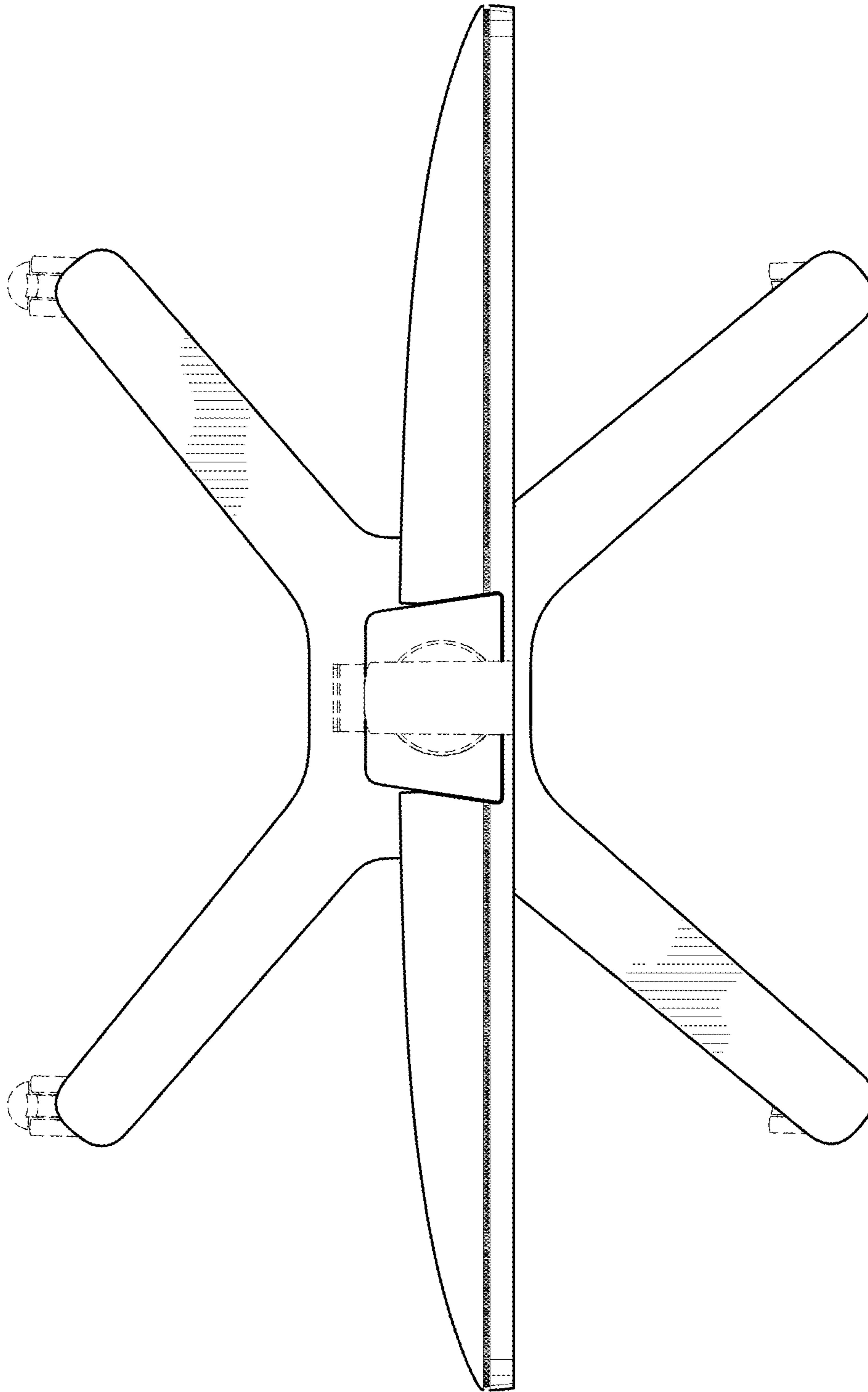


FIG.7

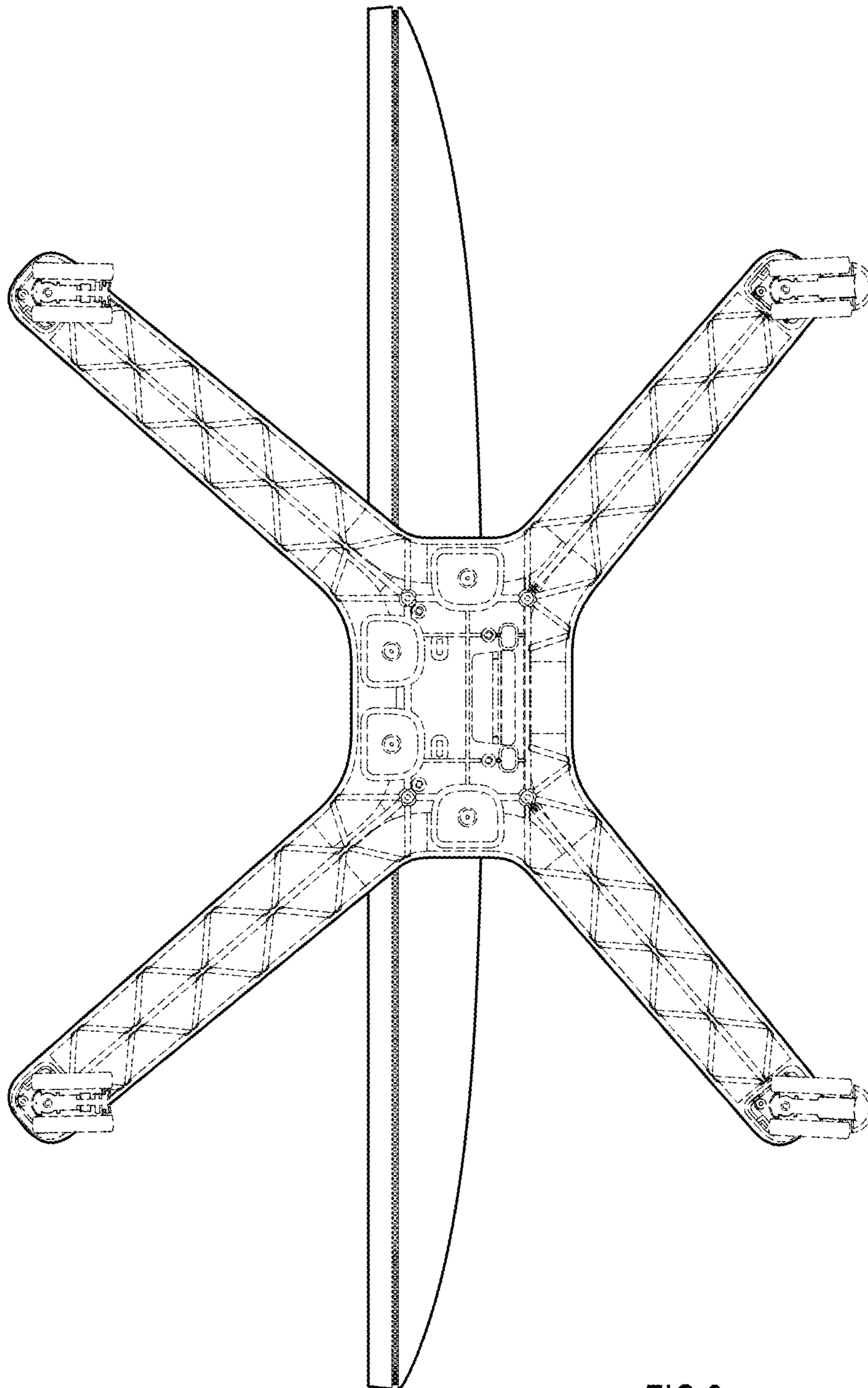


FIG.8

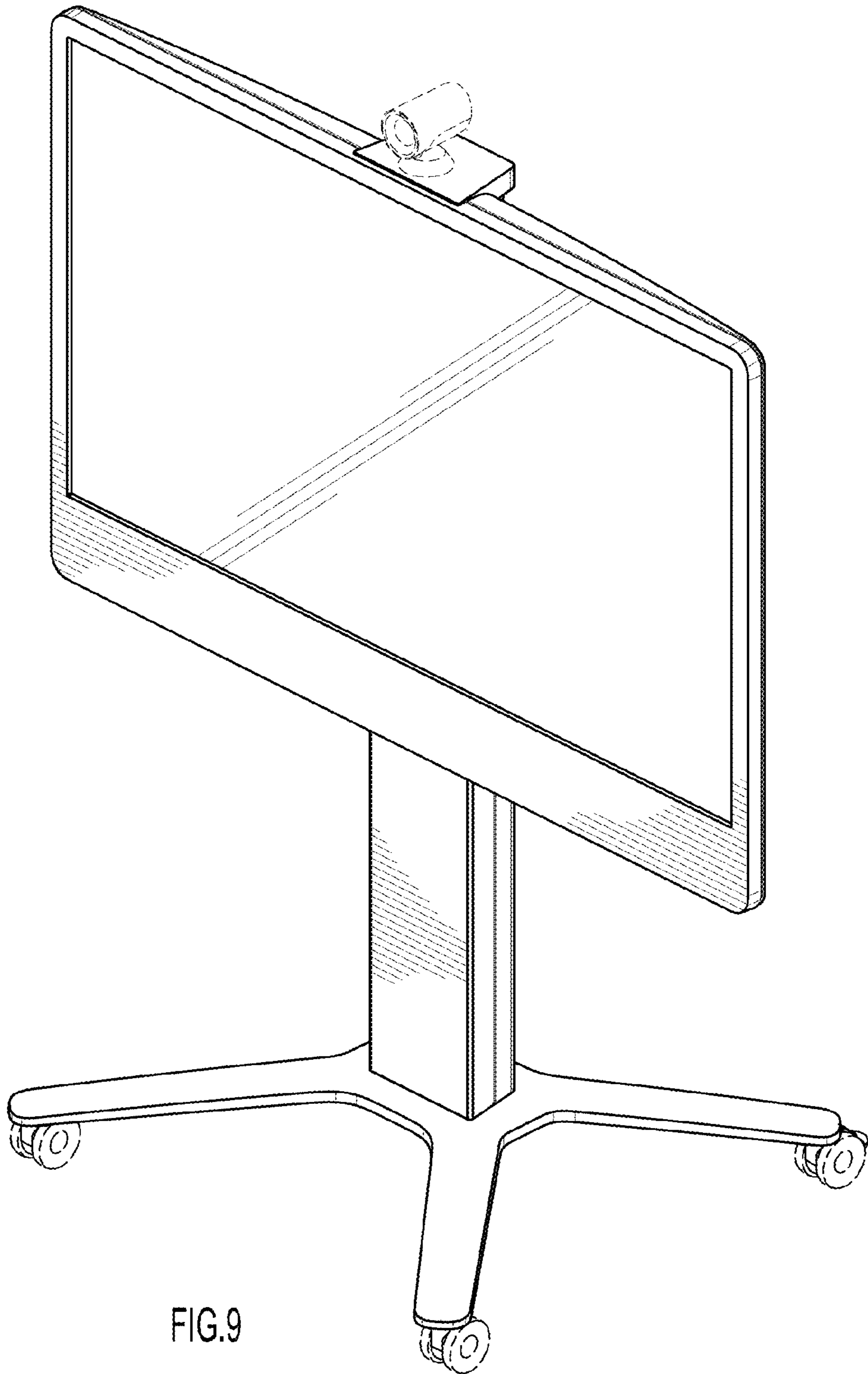


FIG.9

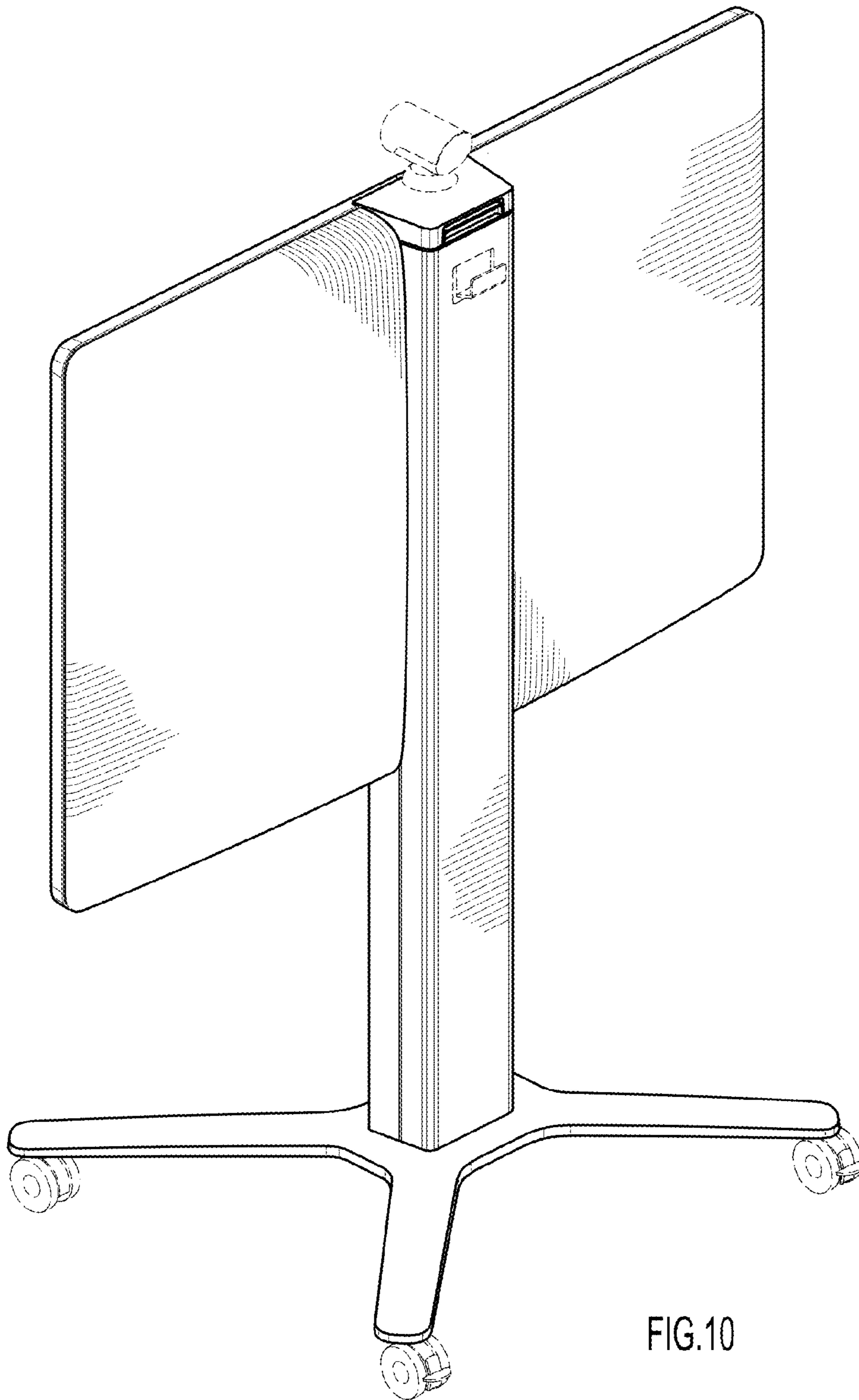


FIG.10

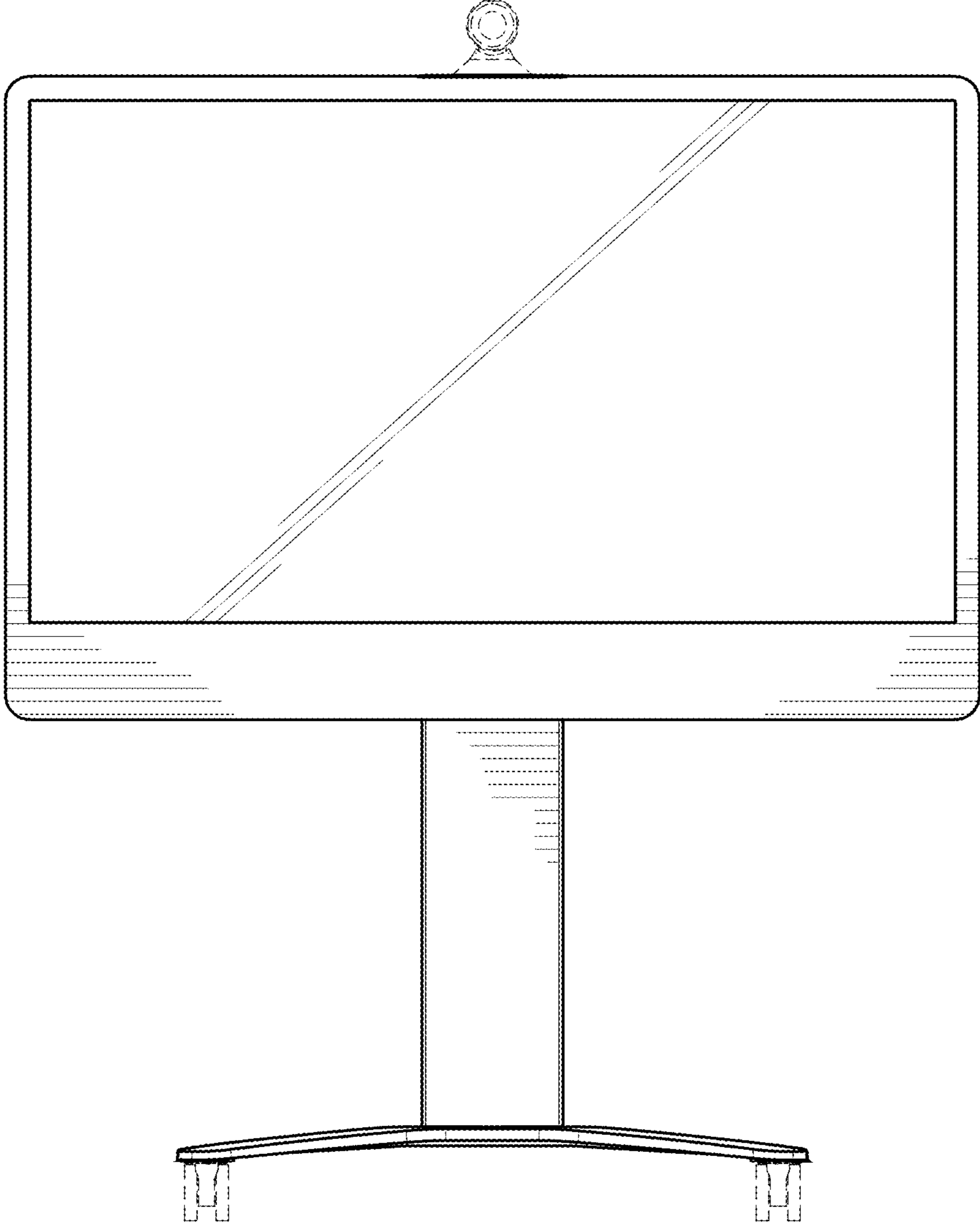


FIG.11

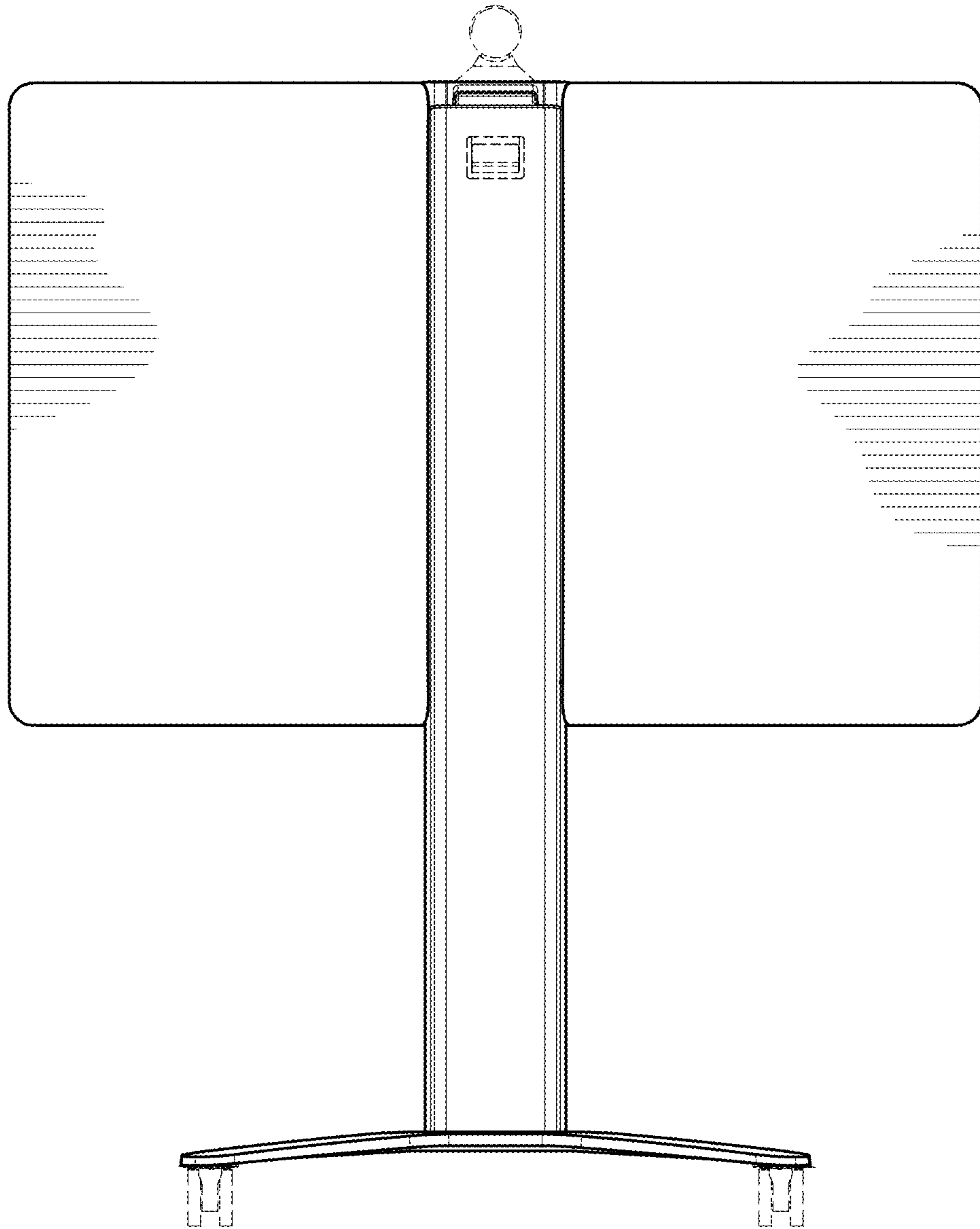


FIG.12

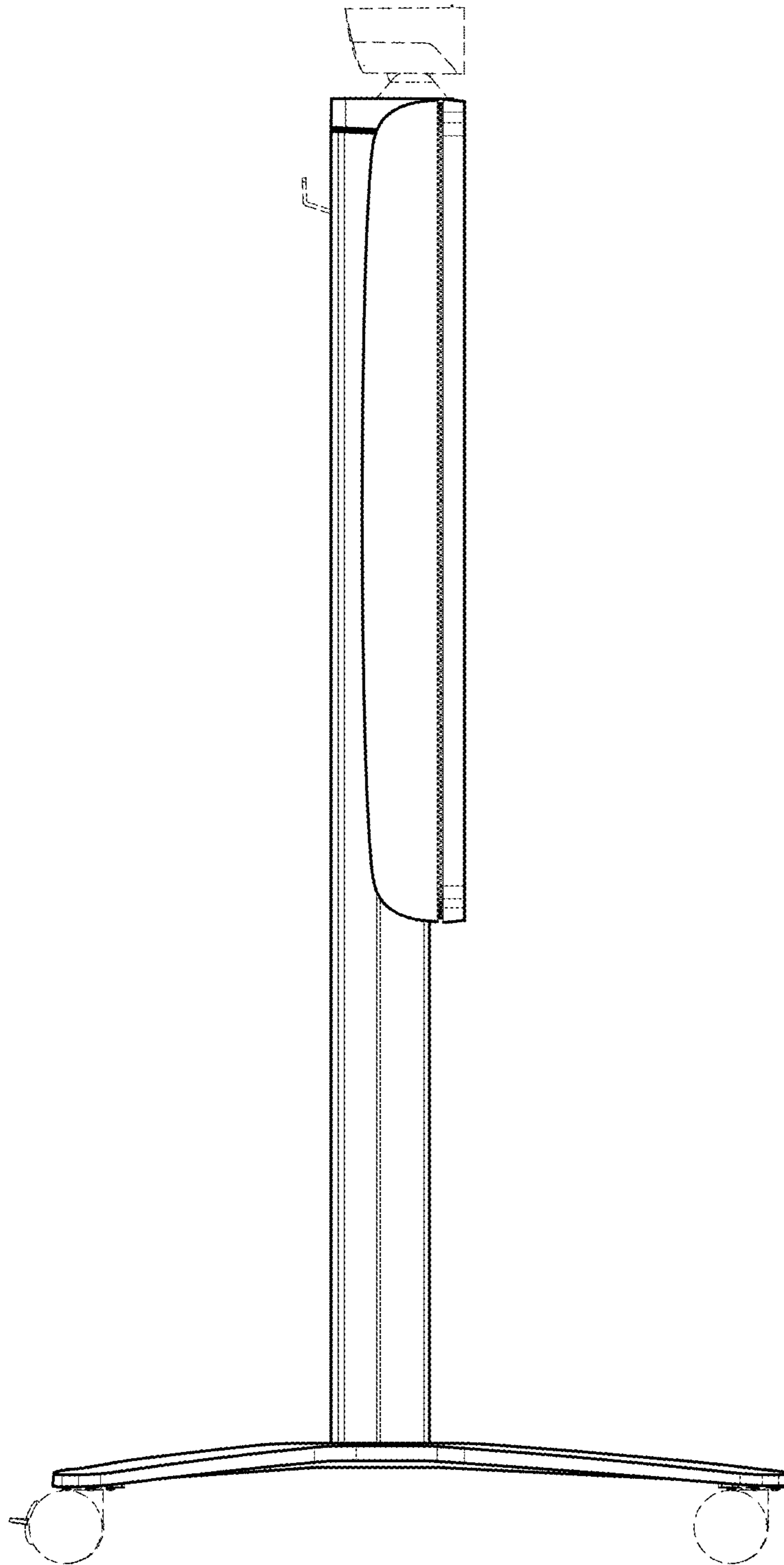


FIG.13

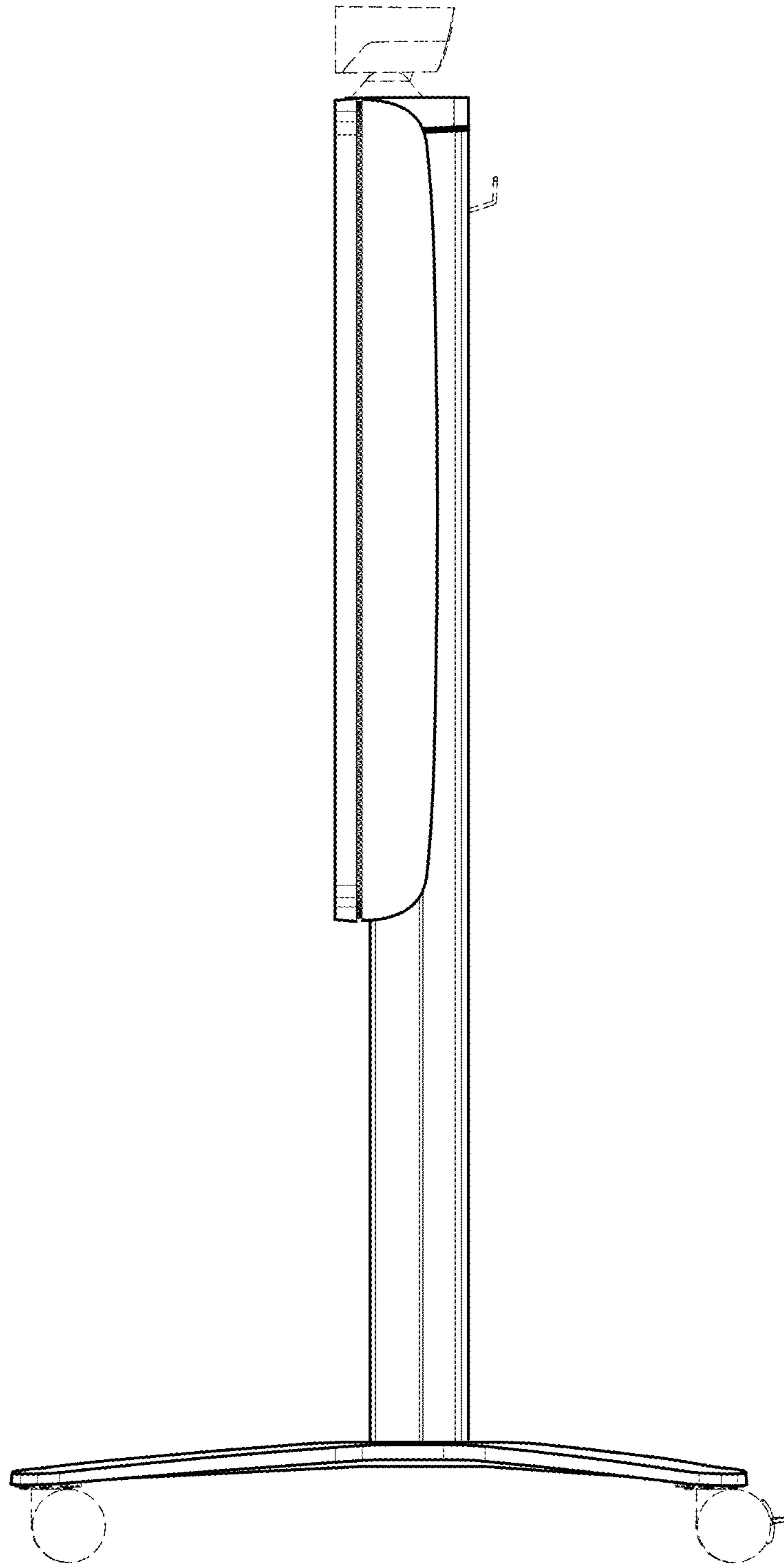


FIG.14



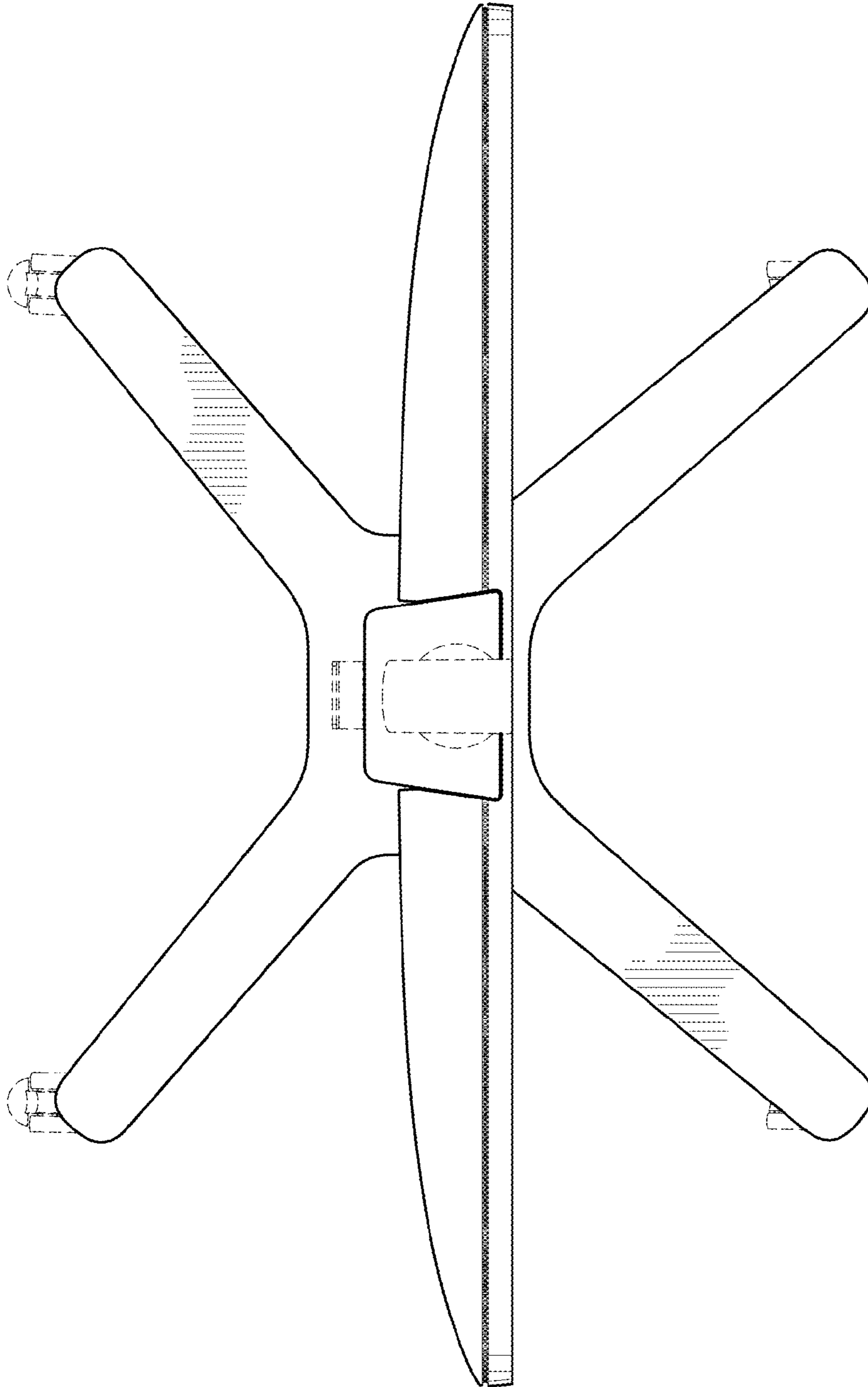


FIG.15

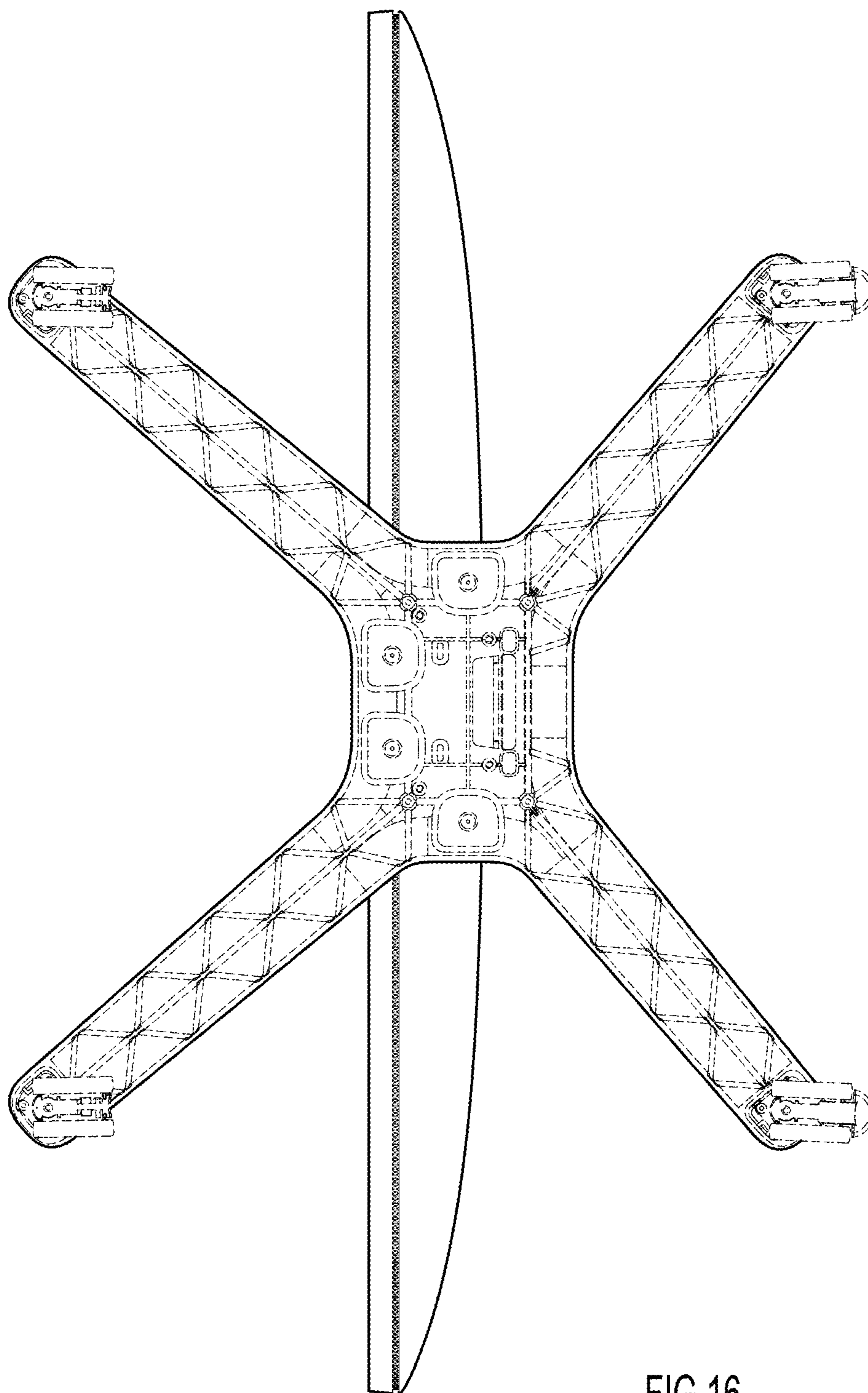


FIG.16