

US00D732494S

(12) **United States Design Patent**  
**Kang et al.**

(10) **Patent No.:** **US D732,494 S**  
(45) **Date of Patent:** **\*\* Jun. 23, 2015**

(54) **TELEVISION RECEIVER**

(71) Applicant: **LG Electronics Inc.**, Seoul (KR)  
(72) Inventors: **Seungmo Kang**, Seoul (KR); **Jaewon Lim**, Gyeonggi-do (KR)  
(73) Assignee: **LG Electronics Inc.**, Seoul (KR)  
(\*\*) Term: **14 Years**

(21) Appl. No.: **29/461,507**

(22) Filed: **Jul. 24, 2013**

(30) **Foreign Application Priority Data**

Jan. 25, 2013 (KR) ..... 30-2013-0004492

(51) **LOC (10) Cl.** ..... **14-03**

(52) **U.S. Cl.**  
USPC ..... **D14/126**

(58) **Field of Classification Search**  
USPC ..... D14/125-134, 239, 371, 136, 374-377,  
D14/440, 450, 448, 336, 342, 159; 312/7.2;  
348/836, 838, 180, 184, 325, 739;  
248/917-924, 465; 345/104, 133, 156,  
345/168, 87, 173; D21/329, 515, 577, 622,  
D21/333, 433, 448, 452, 450, 331, 505;  
D10/15, 26; 446/484, 175, 356;  
D6/477, 479, 300; D24/185; D34/14  
CPC ... G06F 1/1601; G06F 1/1643; H05K 5/0004;  
H05K 5/0017; H05K 5/02; H05K 5/0217  
See application file for complete search history.

(56) **References Cited**

U.S. PATENT DOCUMENTS

D603,816 S *	11/2009	Kim et al.	.....	D14/126
D657,323 S *	4/2012	Kim et al.	.....	D14/126
D657,792 S *	4/2012	Lee et al.	.....	D14/374
D674,763 S *	1/2013	Kim et al.	.....	D14/126
D697,884 S *	1/2014	Lee	.....	D14/126
D702,657 S *	4/2014	Chen et al.	.....	D14/126
D708,596 S *	7/2014	Park	.....	D14/126
D722,579 S *	2/2015	Yagi	.....	D14/126

\* cited by examiner

*Primary Examiner* — Raphael Barkai

(74) *Attorney, Agent, or Firm* — Morgan, Lewis & Bockius LLP

(57) **CLAIM**

The ornamental design for a television receiver, as shown and described.

**DESCRIPTION**

FIG. 1 is a perspective view of a television receiver showing our new design;  
FIG. 2 is a front view thereof;  
FIG. 3 is a rear view thereof;  
FIG. 4 is a left side view thereof;  
FIG. 5 is a right side view thereof;  
FIG. 6 is a top plan view thereof;  
FIG. 7 is a bottom plan view thereof; and,  
FIG. 8 is a rear perspective view thereof.

**1 Claim, 8 Drawing Sheets**

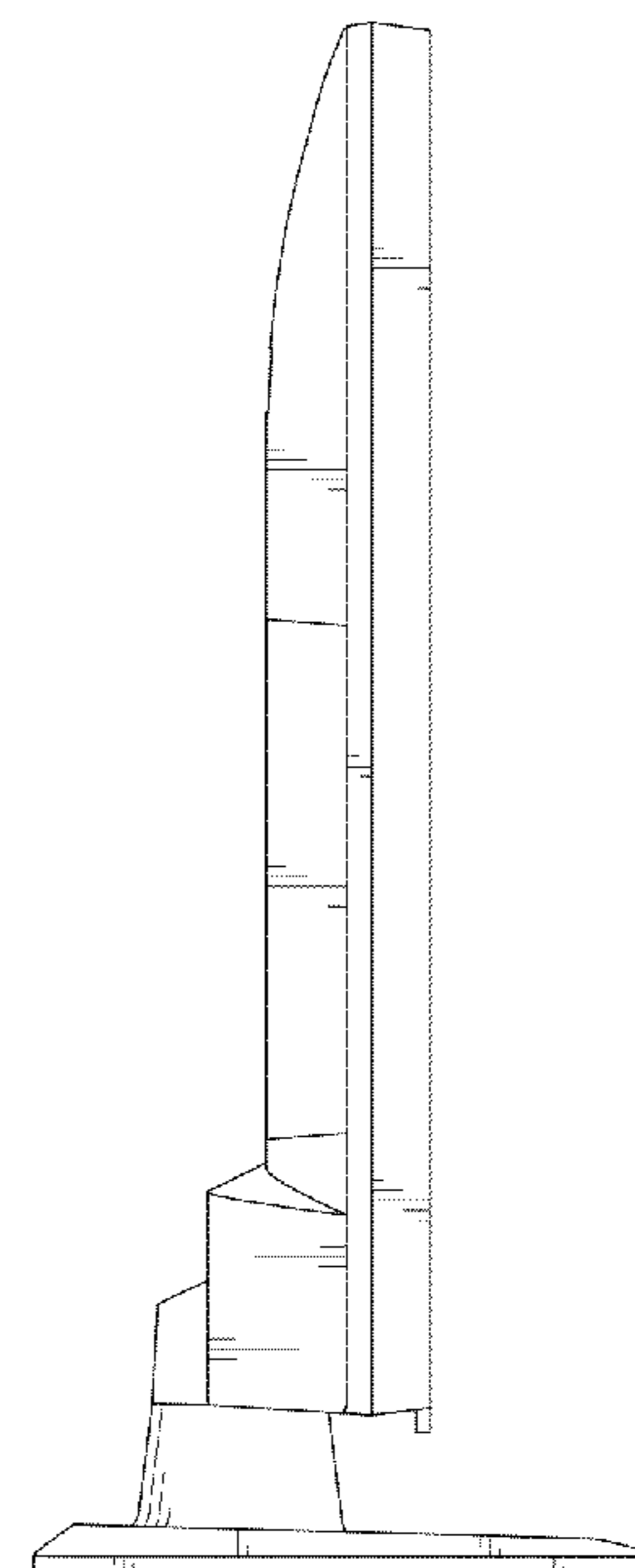
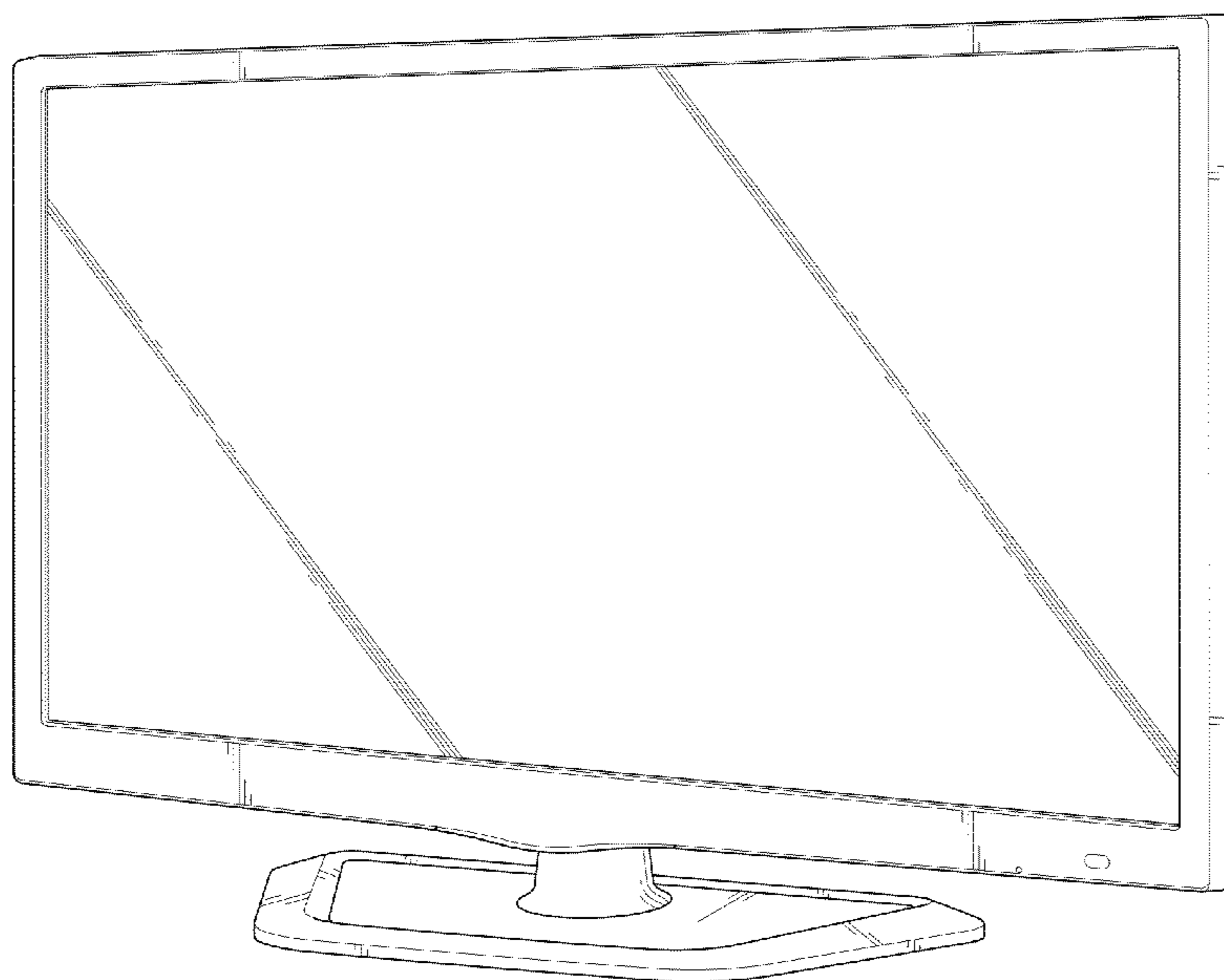


FIG. 1

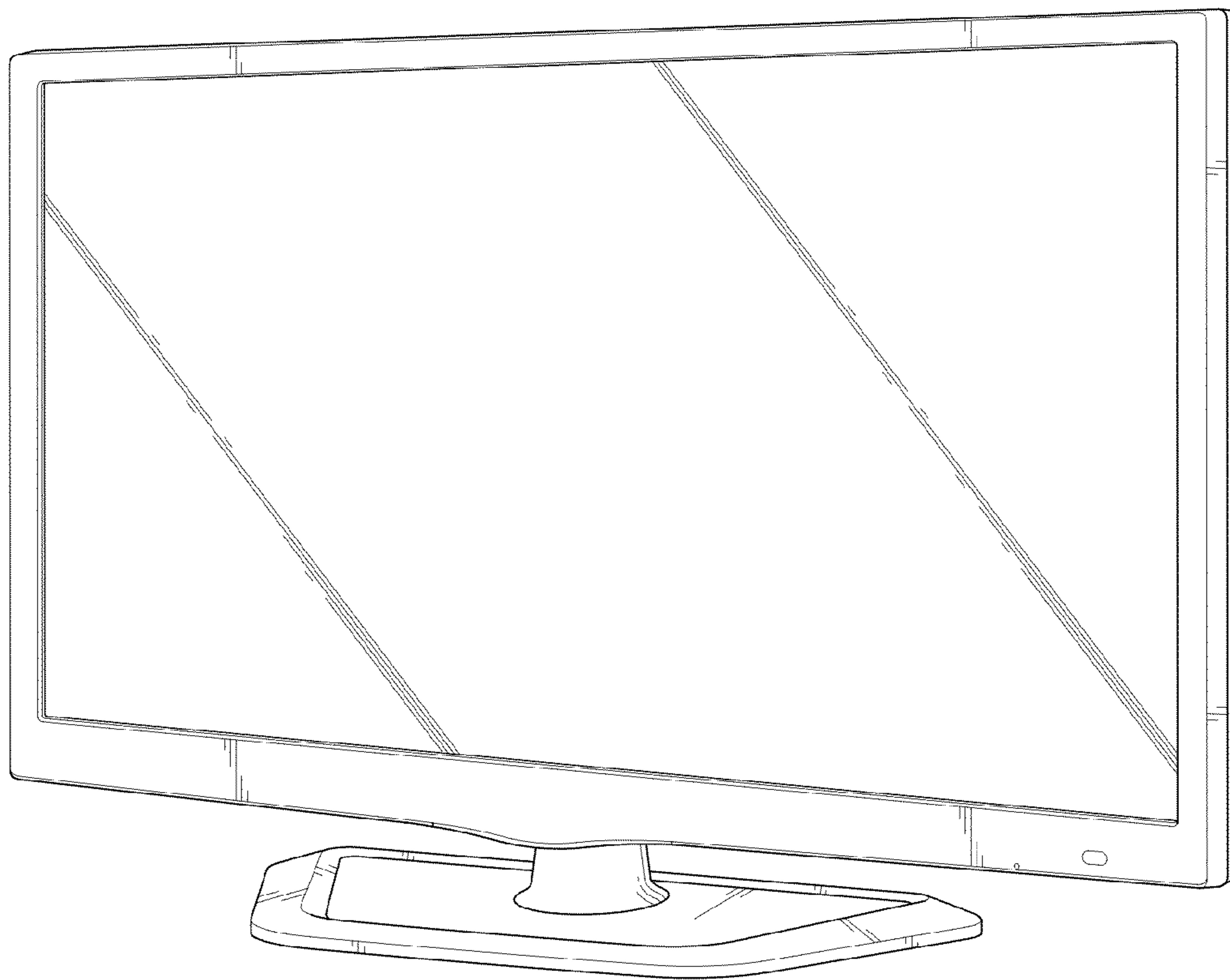


FIG. 2

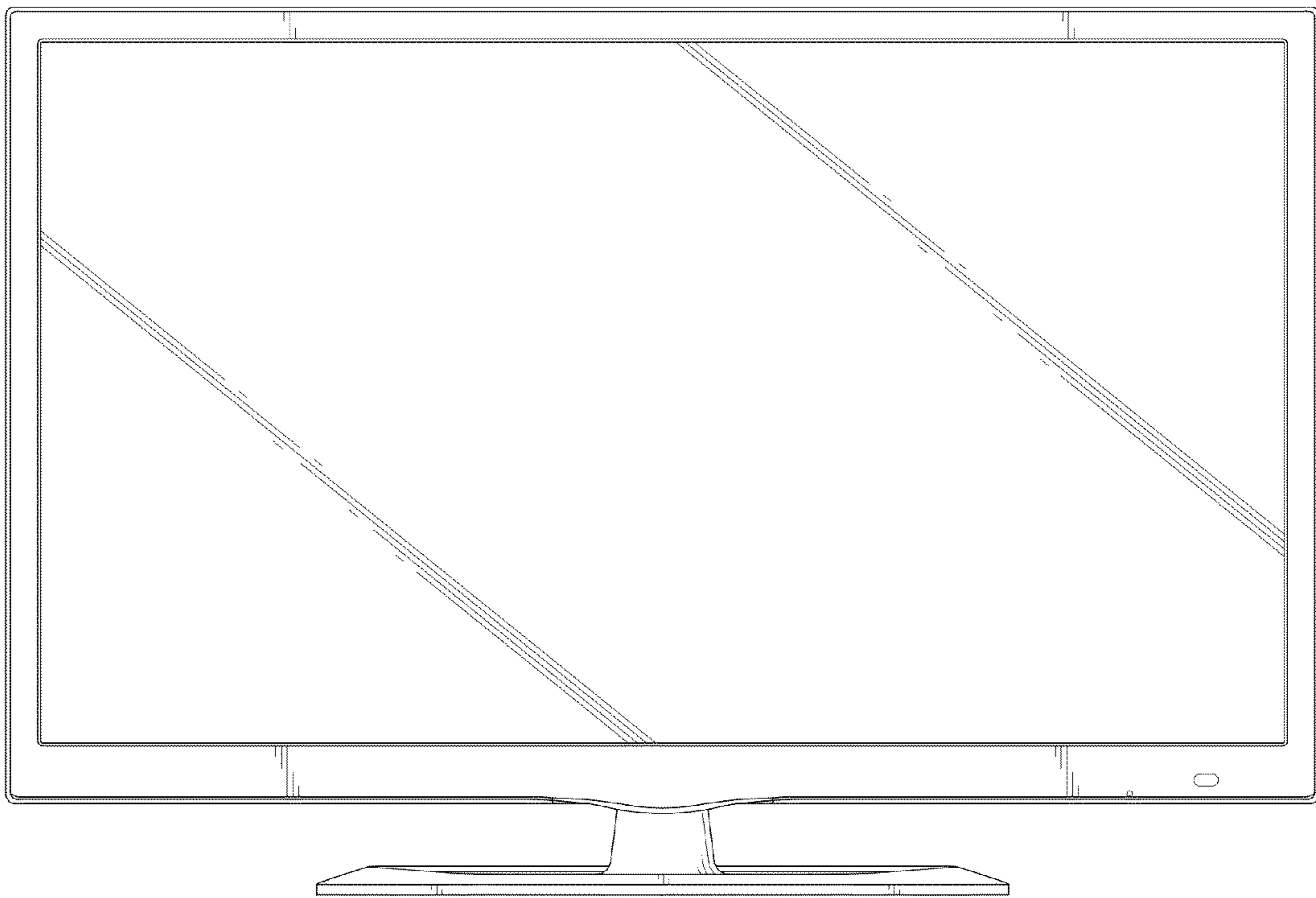


FIG. 3

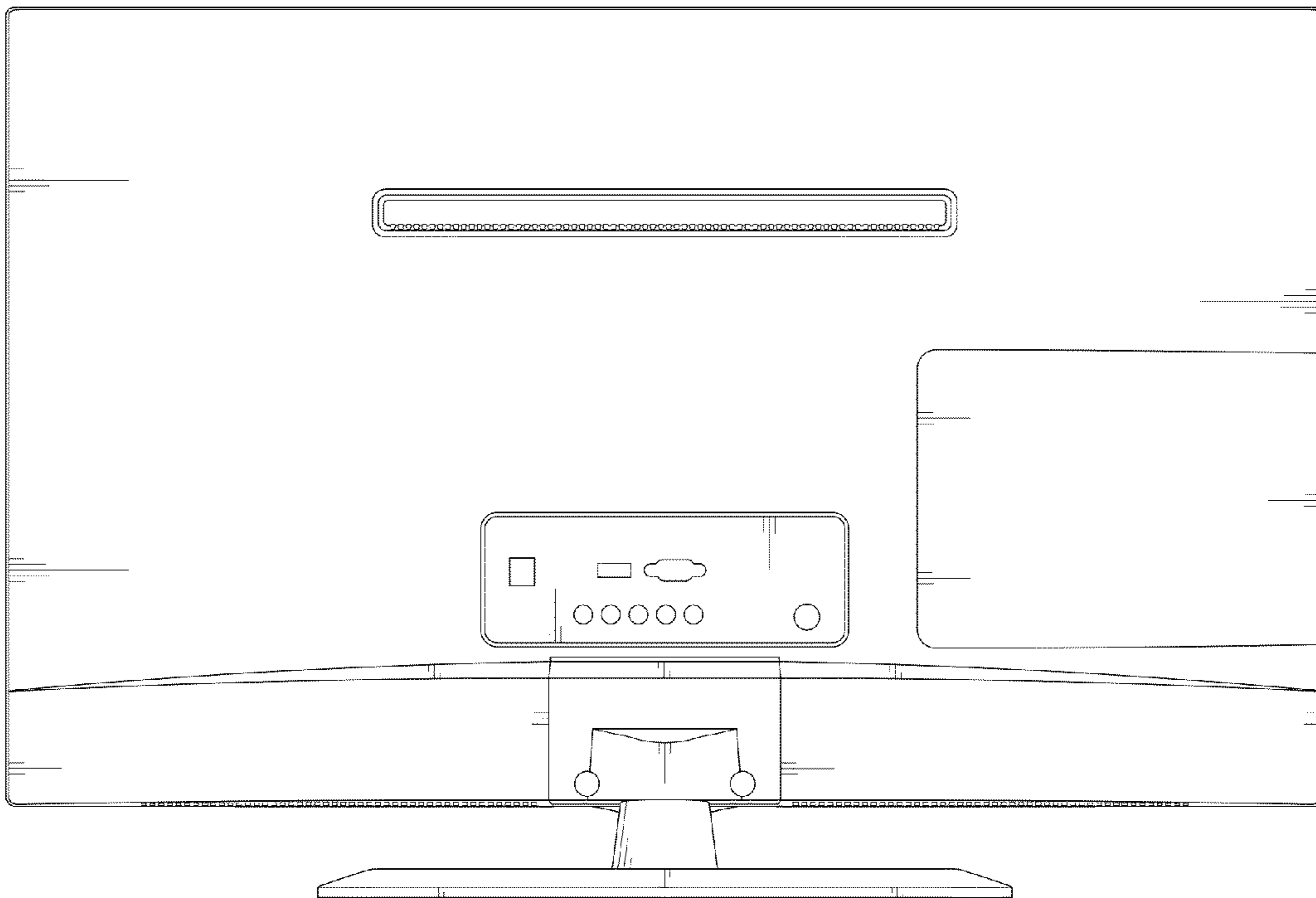


FIG. 4

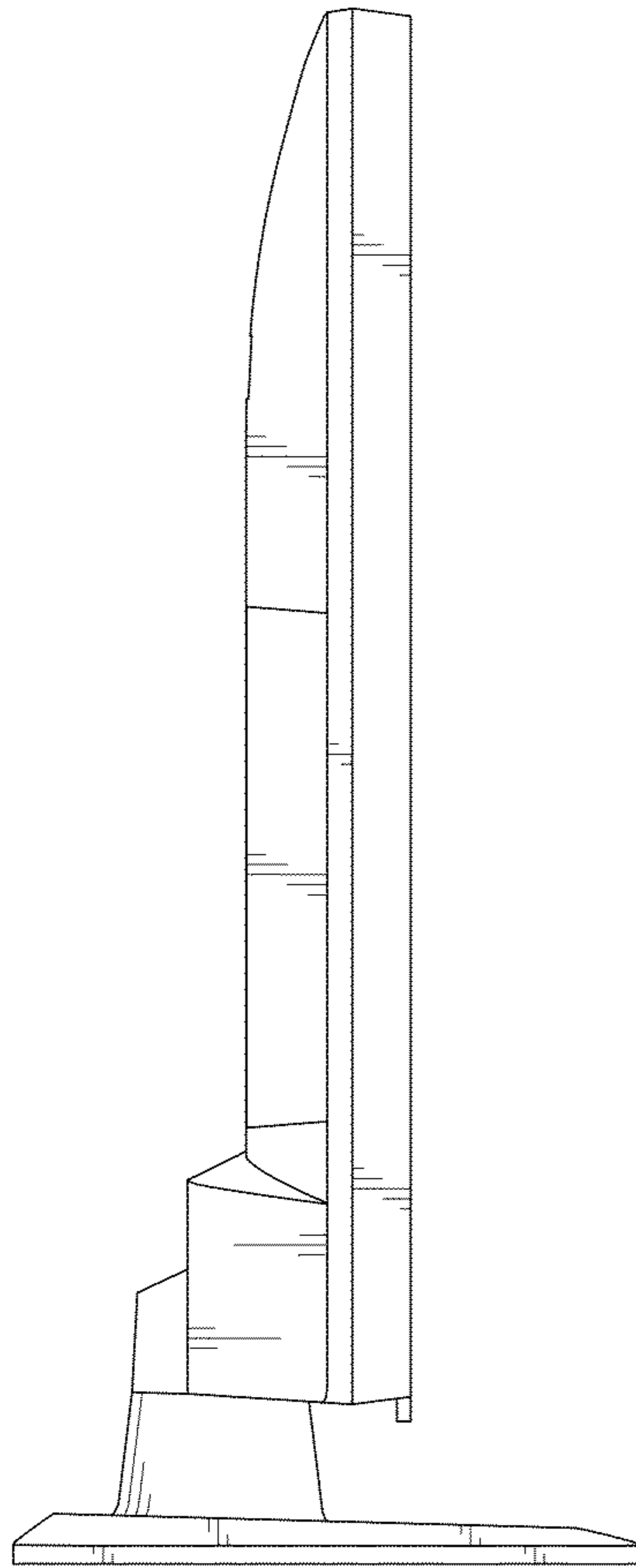


FIG. 5

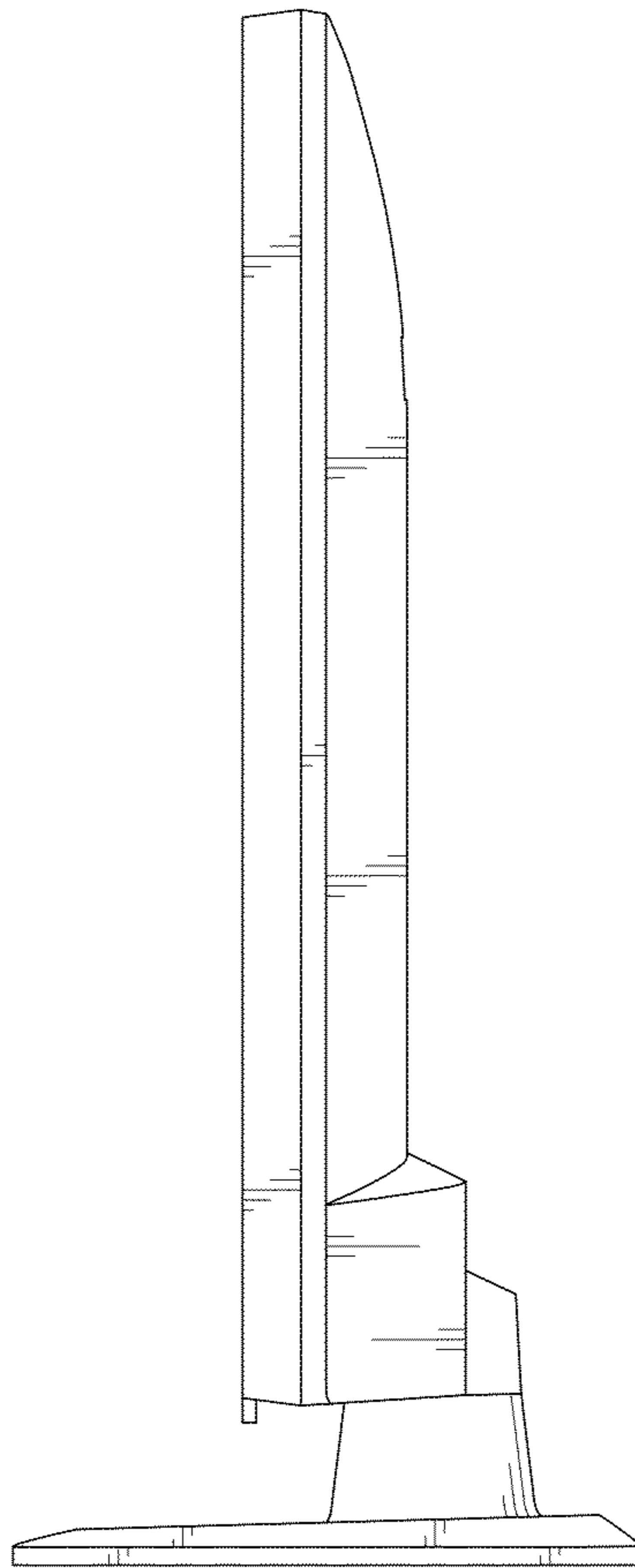


FIG. 6

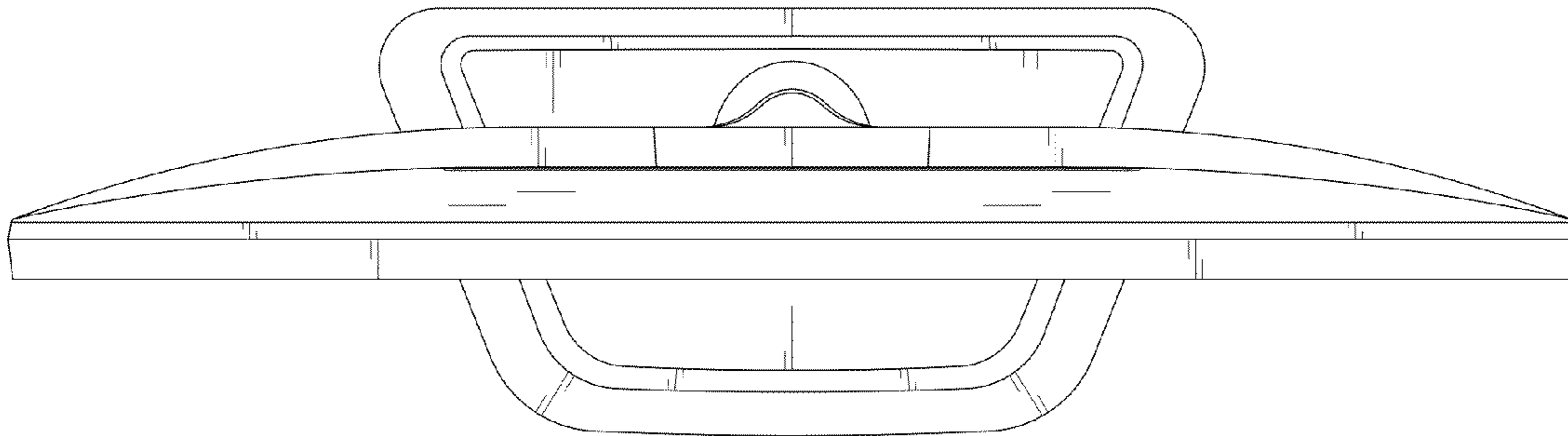


FIG. 7

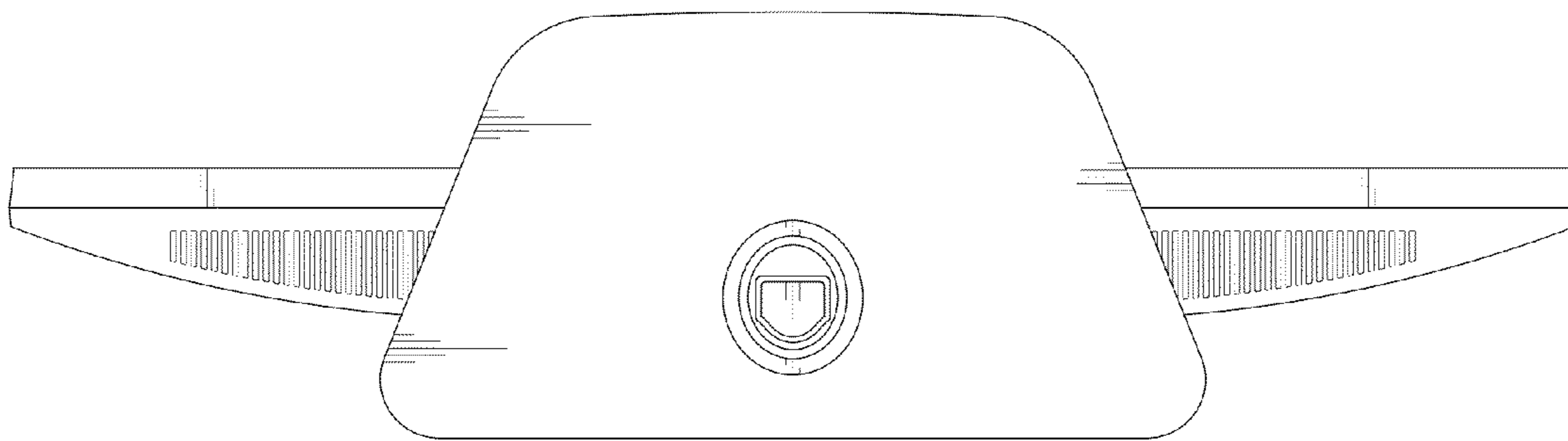




FIG. 8

