



US00D732491S

(12) **United States Design Patent**
Choi et al.

(10) **Patent No.:** **US D732,491 S**
(45) **Date of Patent:** **** Jun. 23, 2015**

(54) **MONITOR**

(71) Applicant: **Samsung Electronics Co., Ltd.**,
Suwon-Si, Gyeonggi-Do (KR)
(72) Inventors: **Jinho Choi**, Seoul (KR); **Daehun Jung**,
Seoul (KR)
(73) Assignee: **Samsung Electronics Co., Ltd.**,
Gyeonggi-do (KR)
(**) Term: **14 Years**

(21) Appl. No.: **29/457,831**
(22) Filed: **Jun. 13, 2013**

(30) **Foreign Application Priority Data**

Dec. 13, 2012 (KR) 30-2012-0060273

(51) **LOC (10) Cl.** **14-03**

(52) **U.S. Cl.**
USPC **D14/126**

(58) **Field of Classification Search**

USPC D14/125-134, 239, 371, 136, 374-377,
D14/440, 450, 448, 336, 342, 159; 312/7.2;
348/836, 838, 180, 184, 325, 739;
248/917-924, 465; 345/104, 133, 156,
345/168, 87, 173; D21/329, 515, 577, 622,
D21/333, 433, 448, 452, 450, 331, 505;
D10/15, 26; 446/484, 175, 356;
D6/477, 479, 300; D24/185; D34/14
CPC ... G06F 1/1601; G06F 1/1643; H05K 5/0004;
H05K 5/0017; H05K 5/02; H05K 5/0217

See application file for complete search history.

(56) **References Cited**

U.S. PATENT DOCUMENTS

D536,310	S	*	2/2007	Kao	D14/126
D539,245	S	*	3/2007	Bischoff	D14/126
D609,661	S	*	2/2010	VanDuyn et al.	D14/126
D619,553	S	*	7/2010	Katsumata	D14/126
D620,463	S	*	7/2010	Li et al.	D14/126
D622,239	S	*	8/2010	Liu et al.	D14/126
D637,985	S	*	5/2011	Andresen	D14/129
D648,297	S	*	11/2011	Woo et al.	D14/126
D672,325	S	*	12/2012	Lu et al.	D14/126
D691,979	S	*	10/2013	Park	D14/126
D718,730	S	*	12/2014	Andresen et al.	D14/126

* cited by examiner

Primary Examiner — Raphael Barkai

(74) *Attorney, Agent, or Firm* — Harness, Dickey & Pierce,
P.L.C.

(57) **CLAIM**

The ornamental design for a monitor, as shown and described.

DESCRIPTION

FIG. 1 is the perspective view of a monitor showing our new design;
FIG. 2 is the front view thereof;
FIG. 3 is the rear view thereof;
FIG. 4 is the left-side view thereof;
FIG. 5 is the right-side view thereof;
FIG. 6 is the top plan view thereof;
FIG. 7 is the bottom plan view thereof;
FIG. 8 is the rear-side perspective view thereof; and,
FIG. 9 illustrates the monitor of FIG. 8 with the stand extended.
The broken lines are for illustrative purposes only and form no part of the claimed design.
References to “side”, “top”, and “bottom” in the figure descriptions are not meant to require certain in-use orientation; a monitor according to the claimed design may be used in any orientation.

1 Claim, 8 Drawing Sheets

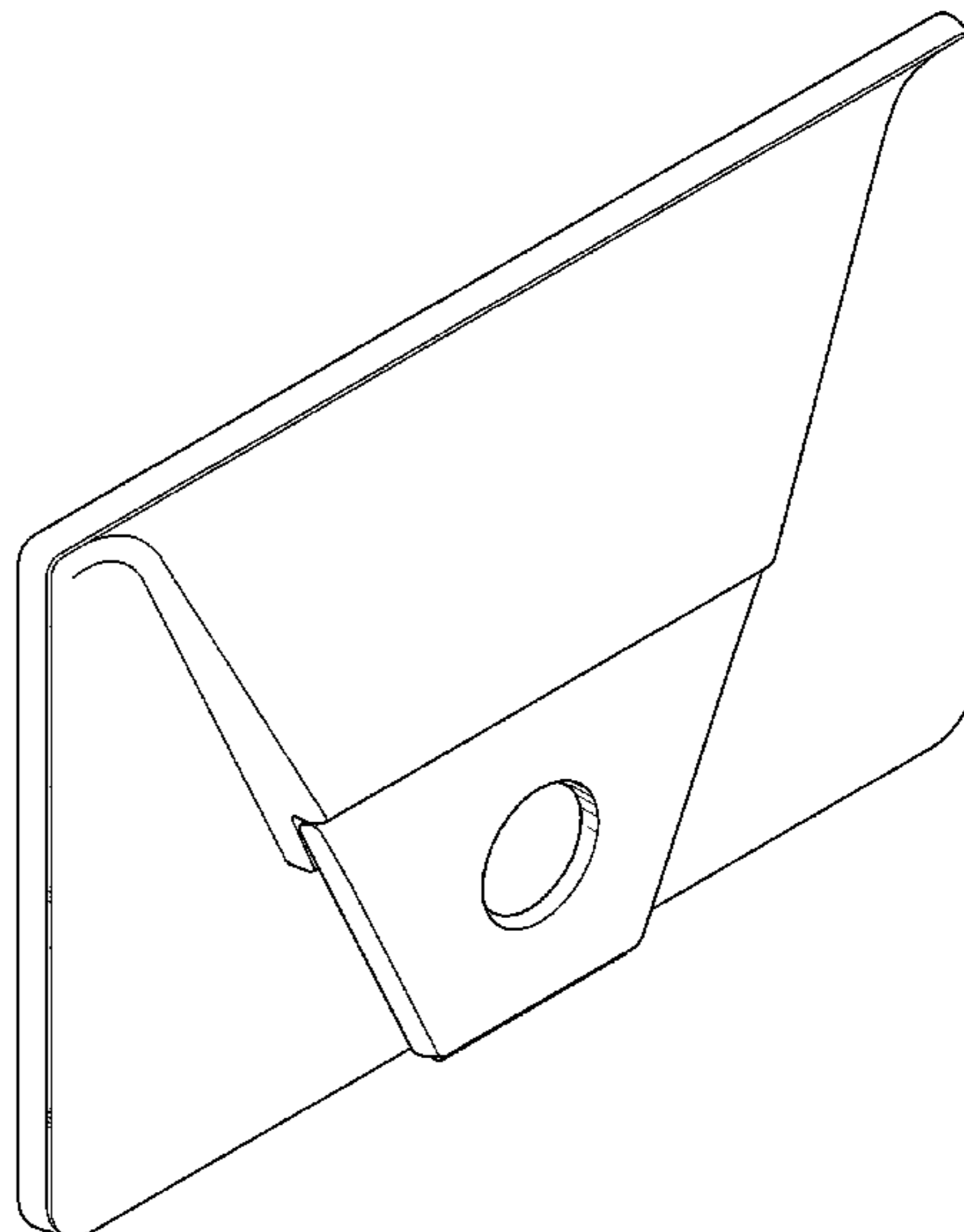
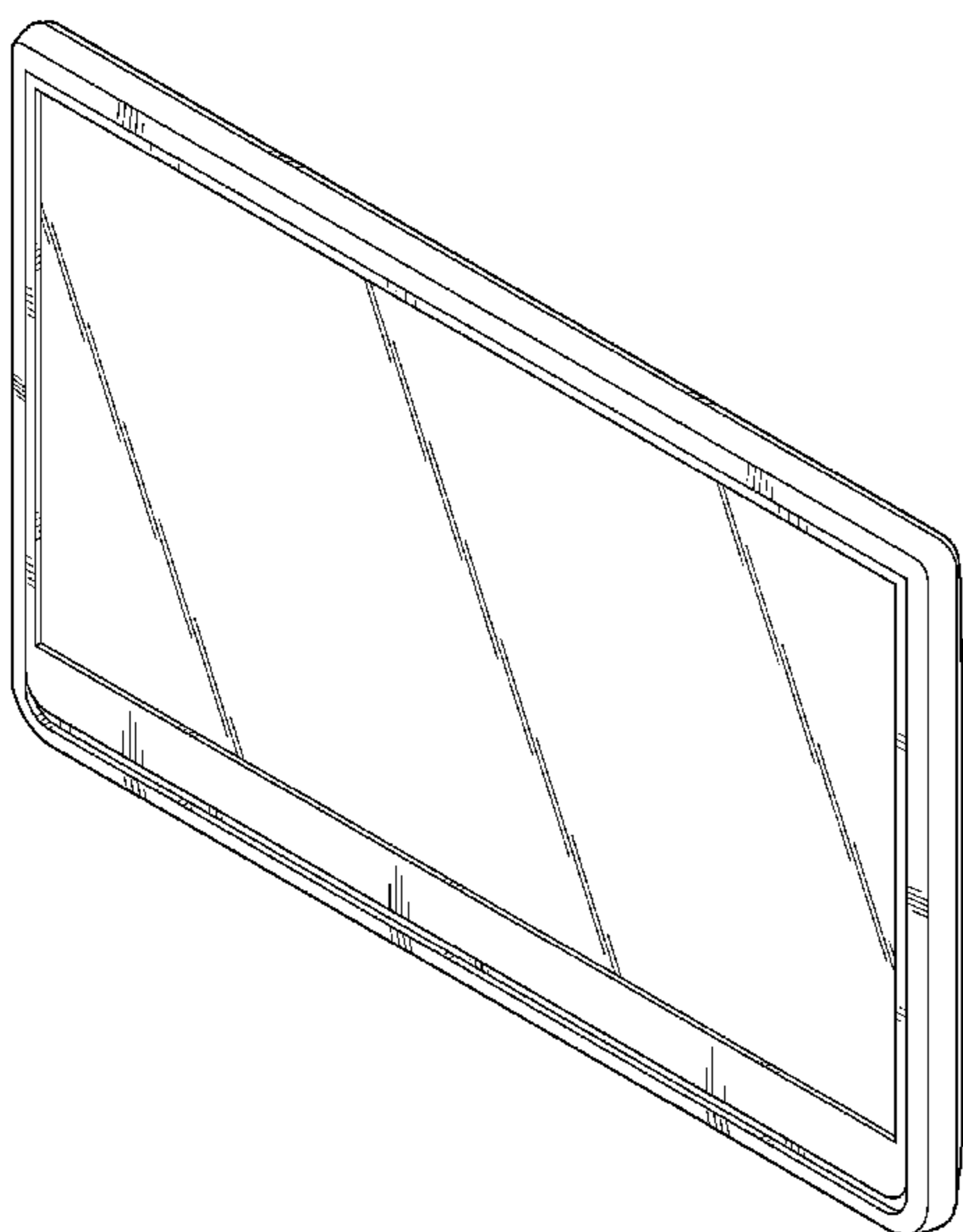


FIG. 1

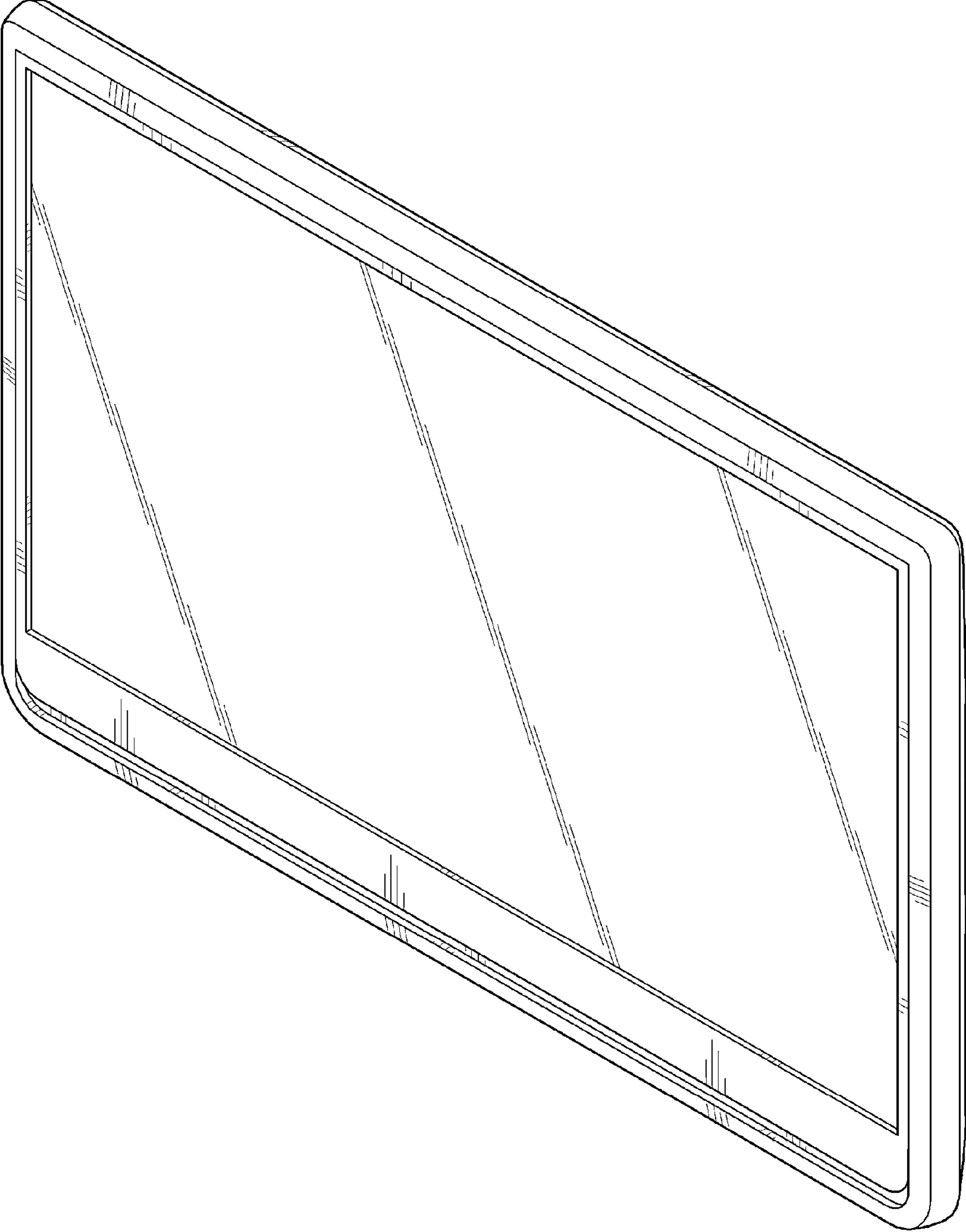


FIG. 2

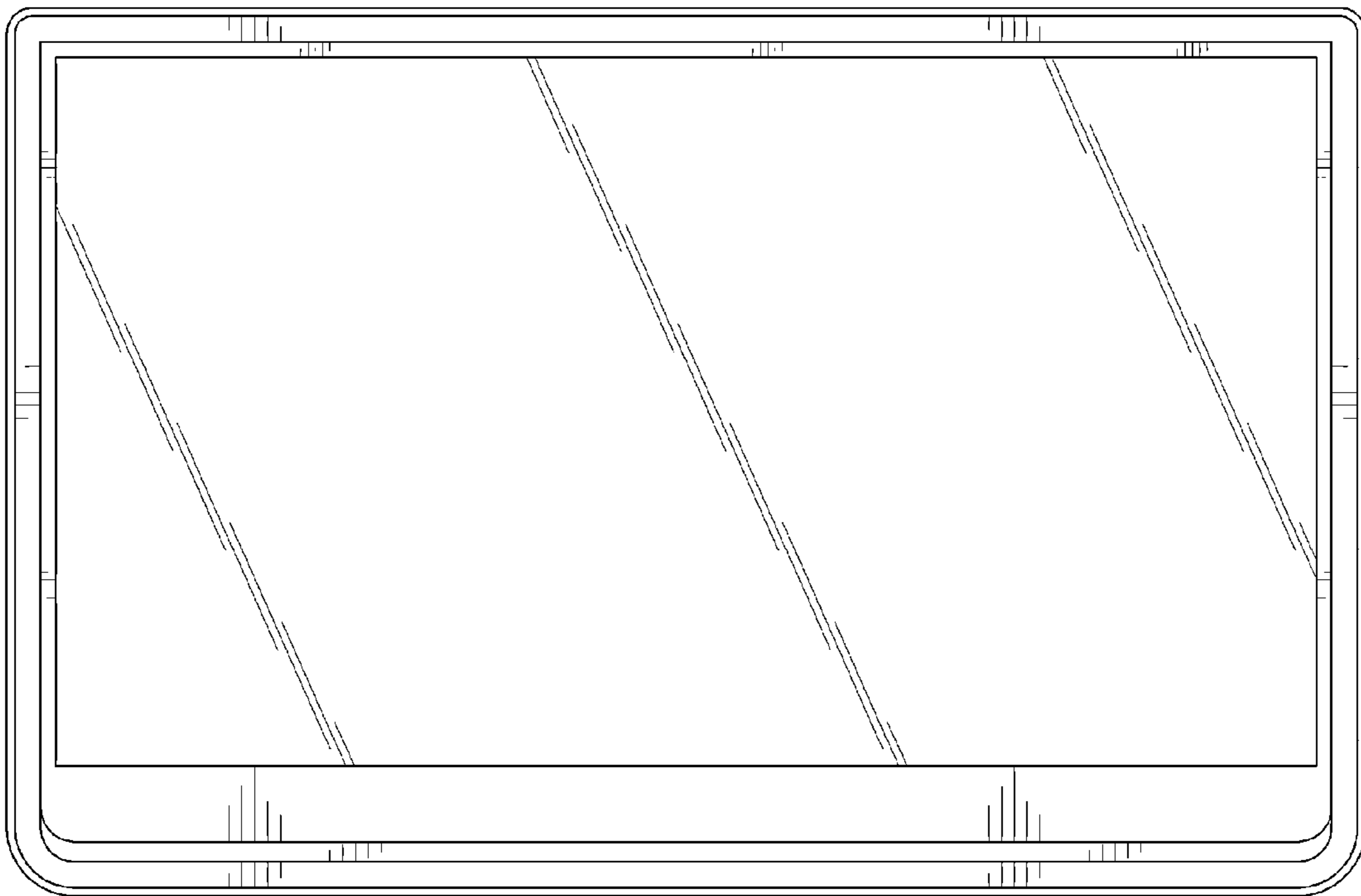


FIG. 3

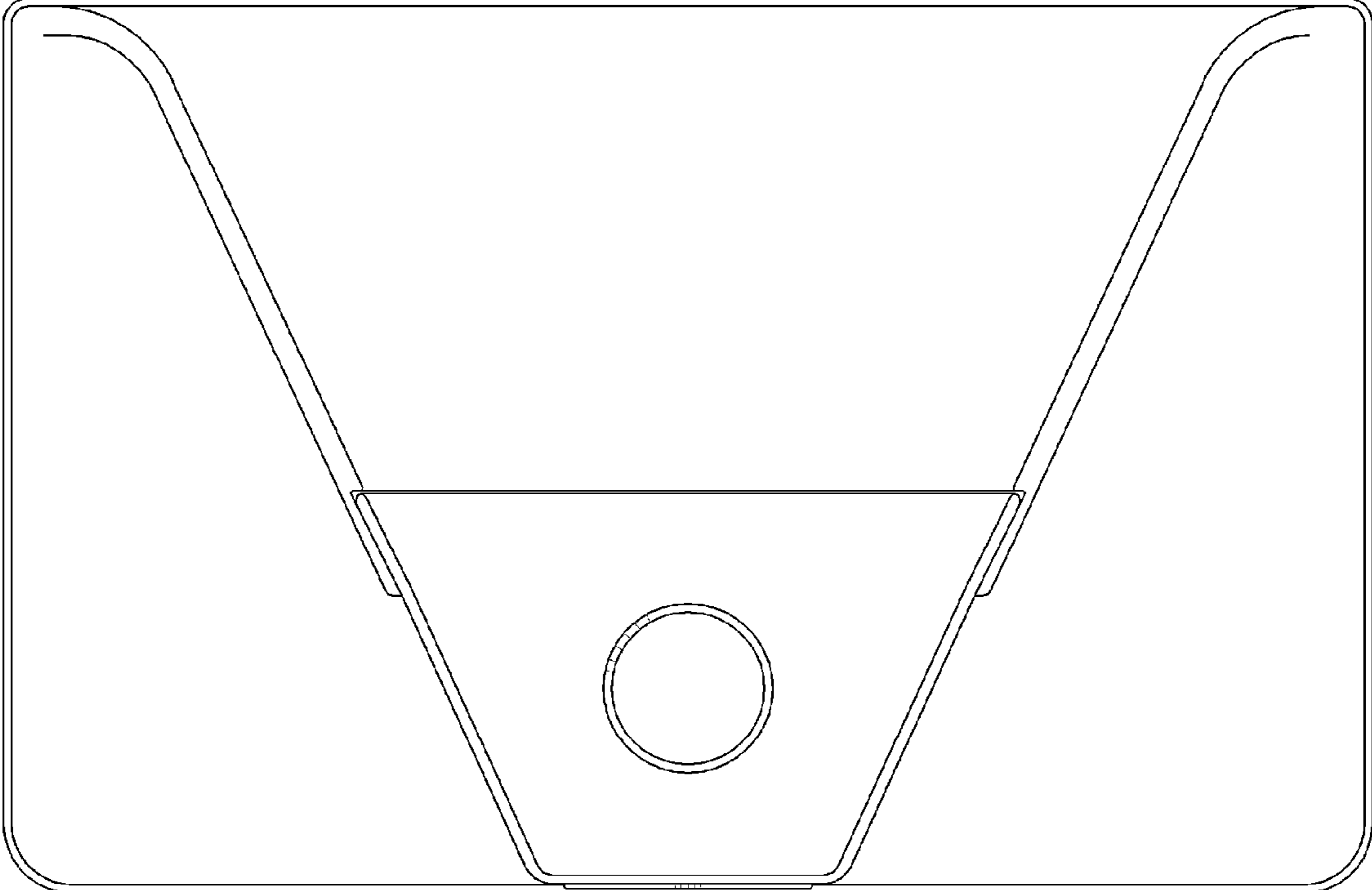


FIG. 4

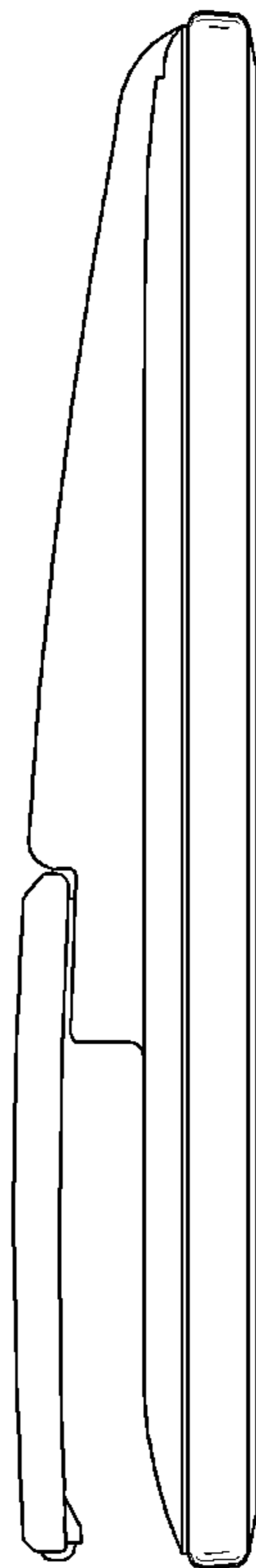


FIG. 5

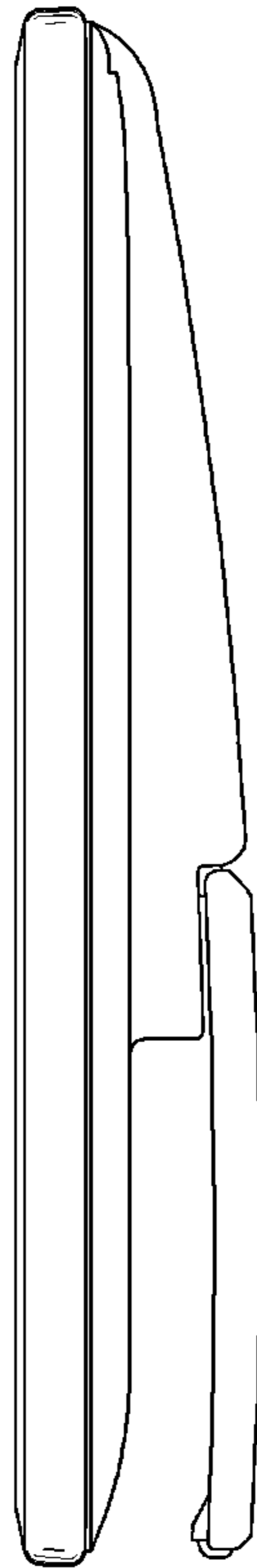


FIG. 6

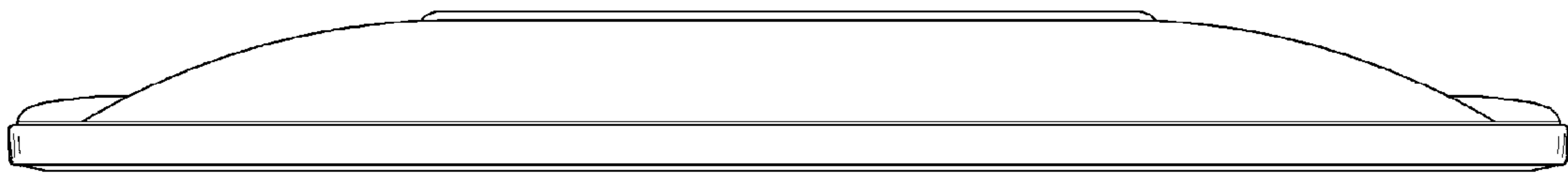


FIG. 7

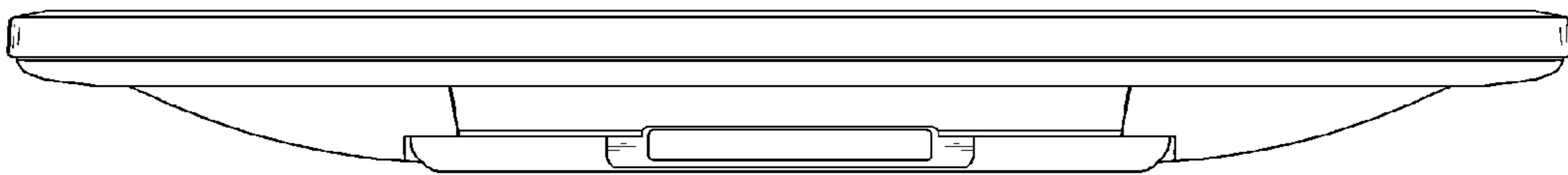


FIG. 8

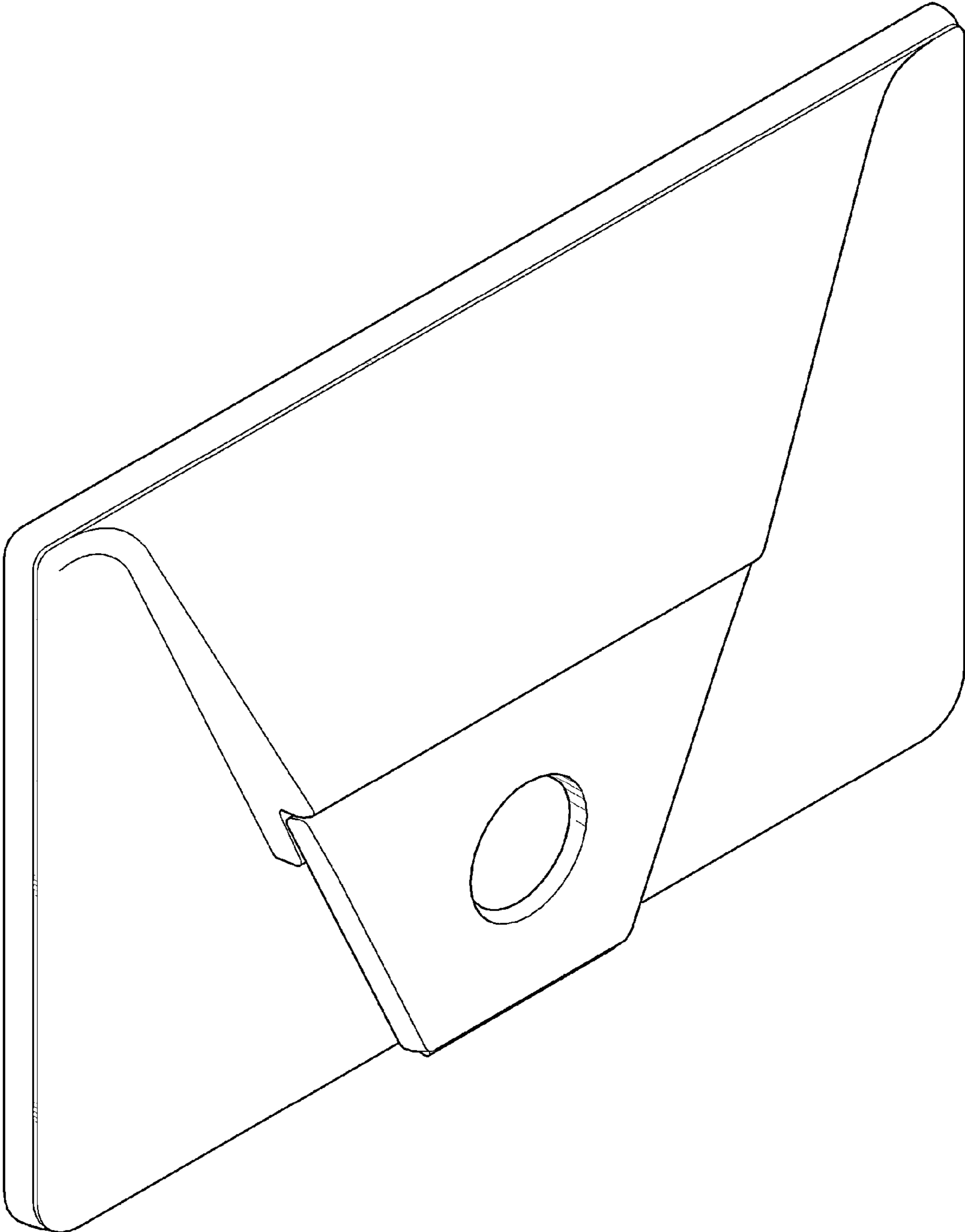


FIG. 9

