



US00D732490S

(12) **United States Design Patent**  
**Kim et al.**

(10) **Patent No.:** **US D732,490 S**  
(45) **Date of Patent:** **\*\* Jun. 23, 2015**

(54) **TELEVISION RECEIVER**

(71) Applicant: **Samsung Electronics Co., Ltd.**,  
Suwon-si, Gyeonggi-do (KR)  
(72) Inventors: **Eui-Seok Kim**, Sungnam-Si (KR);  
**Hee-Bong Kim**, Kimpo-Si (KR)  
(73) Assignee: **Samsung Electronics Co., Ltd.**,  
Suwon-si (KR)

(\*\*) Term: **14 Years**  
(21) Appl. No.: **29/446,949**  
(22) Filed: **Feb. 28, 2013**

(30) **Foreign Application Priority Data**  
Aug. 29, 2012 (KR) ..... 30-2012-0041628  
(51) **LOC (10) Cl.** ..... **14-03**  
(52) **U.S. Cl.**  
USPC ..... **D14/126**  
(58) **Field of Classification Search**  
USPC ..... D14/126, 127, 128, 129, 239, 371, 136,  
D14/341, 375; 312/7.2; 348/836, 838, 180,  
348/184, 325, 739; 341/12; 248/917-924,  
248/465; 345/104, 133, 156, 168, 87, 173;  
720/605, 600, 655; 455/347;  
273/148 B; 229/926, 904, 74, 80.5;  
D20/11, 17, 27, 39, 40; D6/300

See application file for complete search history.

(56) **References Cited**

U.S. PATENT DOCUMENTS

D458,237 S *	6/2002	Niitsu .....	D14/126
D548,708 S *	8/2007	Park et al. ....	D14/126
D554,599 S *	11/2007	Otsuka et al. ....	D14/126
D582,867 S *	12/2008	Song et al. ....	D14/126
D588,560 S *	3/2009	Mellingen et al. ....	D14/126
D633,454 S *	3/2011	Mitsubishi .....	D14/126
D656,115 S *	3/2012	Kim et al. ....	D14/126
D680,089 S *	4/2013	Cho et al. ....	D14/126
D697,884 S *	1/2014	Lee .....	D14/126

\* cited by examiner

*Primary Examiner* — Robert M Spear  
*Assistant Examiner* — Eliza Bennett-Hattan  
(74) *Attorney, Agent, or Firm* — NSIP Law

(57) **CLAIM**

We claim the ornamental design for a television receiver, as shown and described.

**DESCRIPTION**

FIG. 1 is a front perspective view of a television receiver showing our new design;  
FIG. 2 is a front view thereof;  
FIG. 3 is a rear view thereof;  
FIG. 4 is a right-side view thereof;  
FIG. 5 is a top plan view thereof;  
FIG. 6 is a partial enlarged view thereof that is included to more clearly depict the design as viewed from the front perspective view (a-a', b-b', c-c', d-d') of FIG. 1; and,  
FIG. 7 is a second partial enlarged view thereof that is included to more clearly depict the design as viewed from the side perspective view (e-e', f-f', g-g', h-h') of FIG. 4.  
The dash-dot-dot-dash broken line immediately adjacent the solid-line portions of the design represents an unclaimed boundary of the design. Features shown in other broken lines in FIGS. 1, 2, 3, 4, and 5, form no part of the claimed design.

**1 Claim, 7 Drawing Sheets**

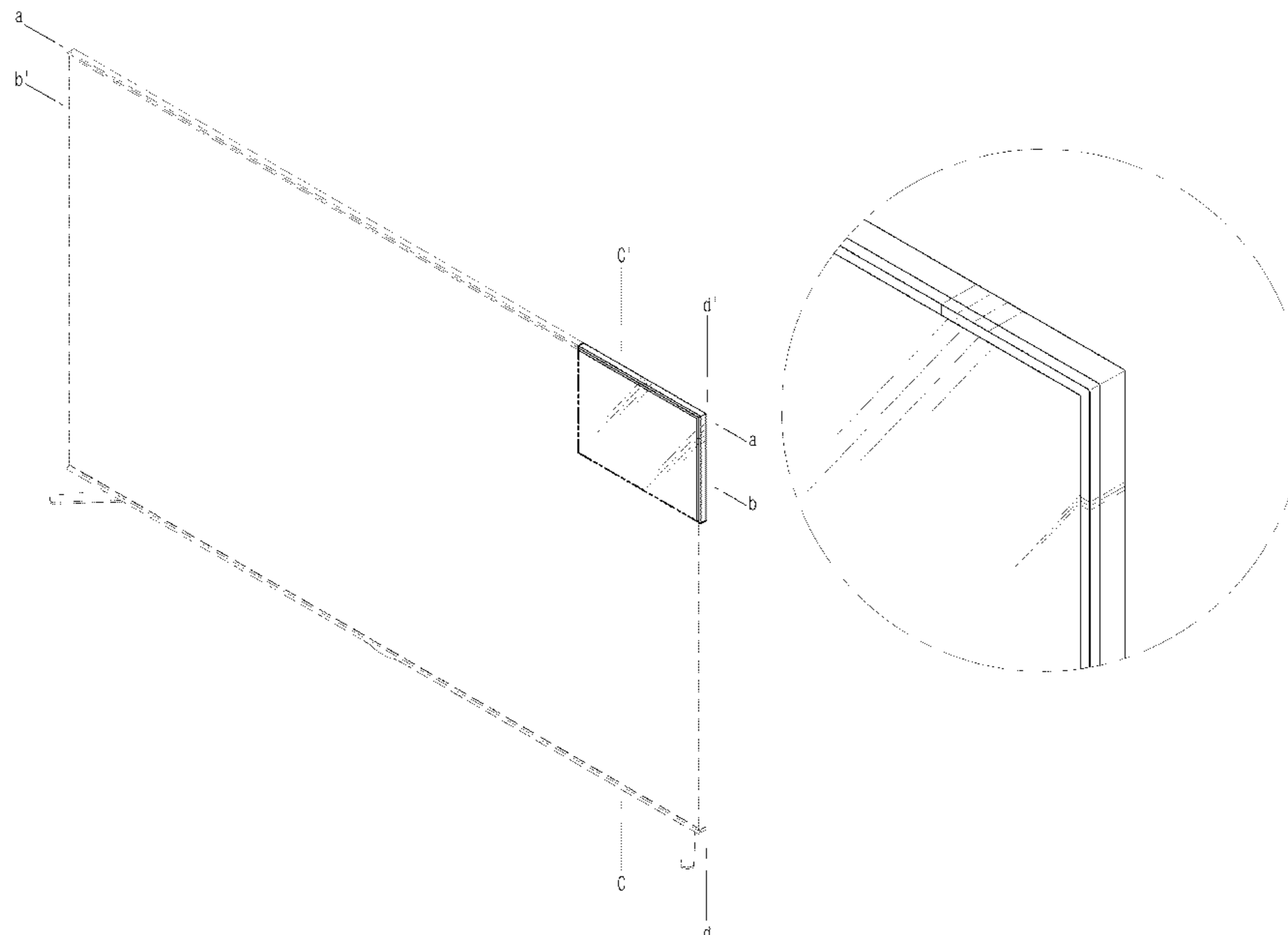


FIG. 1

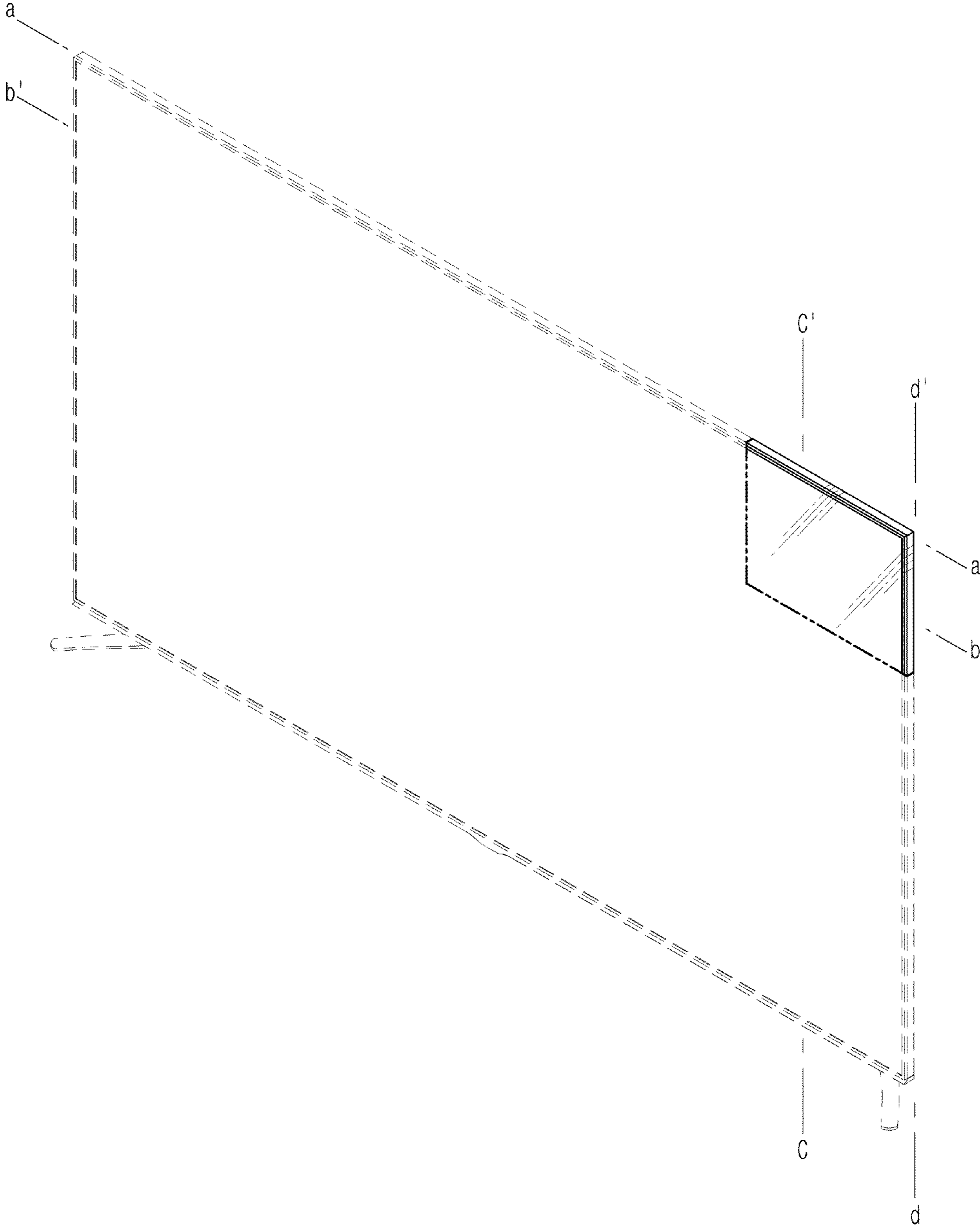


FIG. 2



FIG. 3



FIG. 4

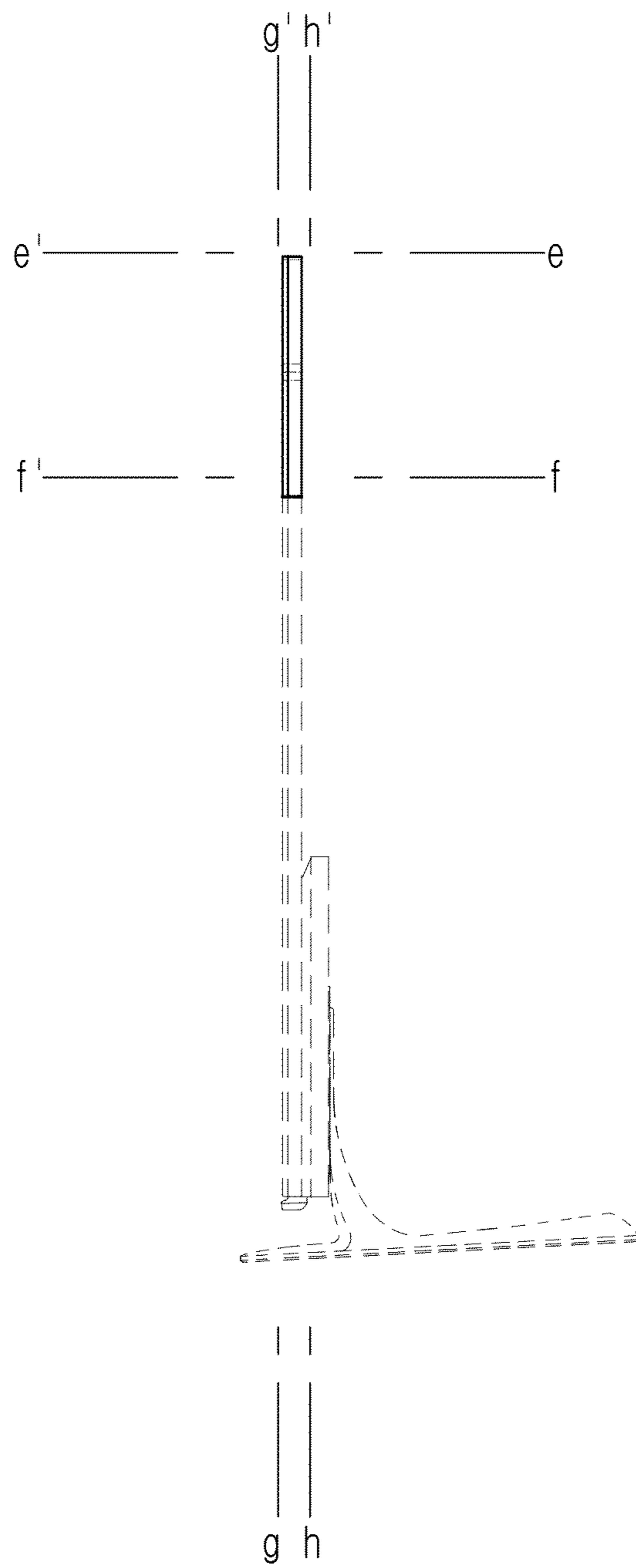


FIG. 5

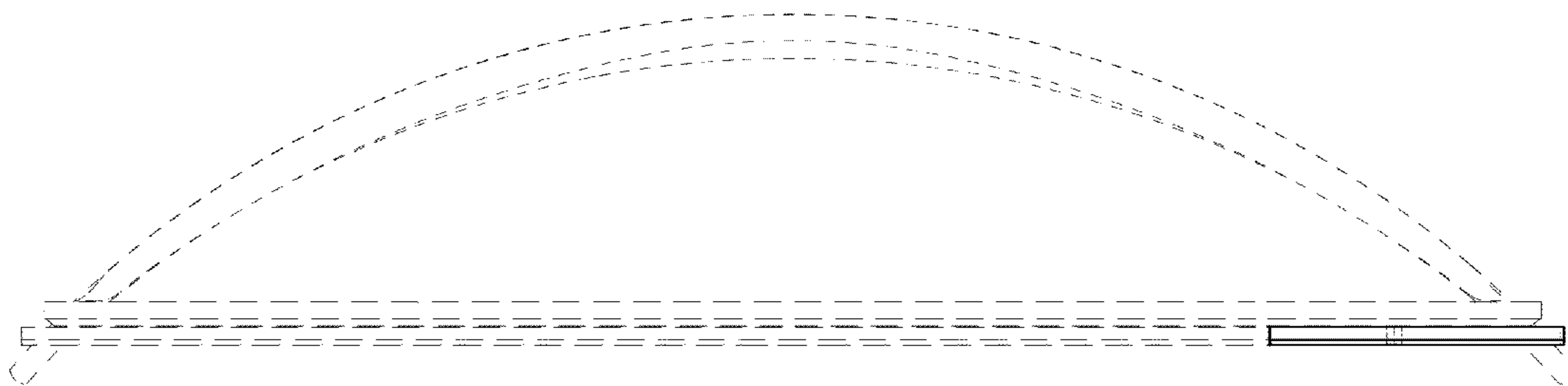


FIG. 6

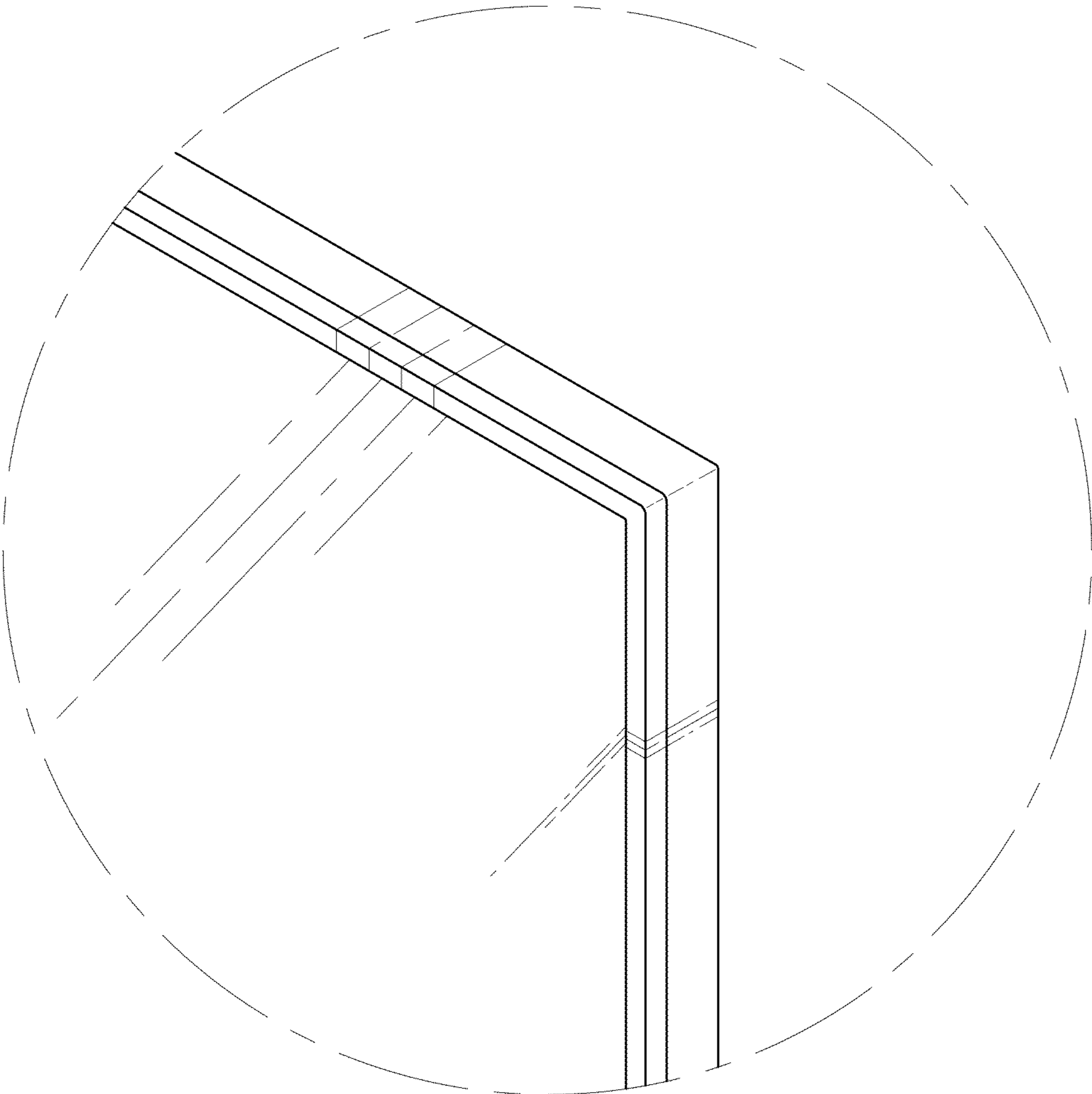


FIG. 7

