



US00D732489S

(12) **United States Design Patent**  
**Kumano et al.**

(10) **Patent No.:** **US D732,489 S**  
(45) **Date of Patent:** **\*\* Jun. 23, 2015**

(54) **TELEVISION RECEIVER**

(75) Inventors: **Daigaku Kumano**, Tokyo (JP); **Kentaro Shibukawa**, Tokyo (JP); **Shigeya Kuwao**, Tokyo (JP); **Daisuke Shiono**, Tokyo (JP)

(73) Assignee: **Sony Corporation**, Tokyo (JP)

(\*\*) Term: **14 Years**

(21) Appl. No.: **29/421,286**

(22) Filed: **Jun. 26, 2012**

(30) **Foreign Application Priority Data**

Dec. 28, 2011 (JP) ..... D2011-030592  
Jan. 6, 2012 (JP) ..... D2012-000120

(51) **LOC (10) Cl.** ..... **14-03**

(52) **U.S. Cl.**  
USPC ..... **D14/126**

(58) **Field of Classification Search**  
USPC ..... D14/126, 127, 128, 129, 239, 371, 136,  
D14/341, 375; 312/7.2; 348/836, 838, 180,  
348/184, 325, 739; 341/12; 248/917-924,  
248/465; 345/104, 133, 156, 168, 87, 173;  
720/605, 600, 655; 455/347;  
273/148 B; D27/126; D10/15, 26  
CPC ..... H04N 21/42224; H04N 2005/443;  
H04N 21/4122; H04N 21/41407; H04N  
21/4222; H04N 21/43615; H04N 21/43635;  
H04N 5/4403; H04N 5/64; H04N 5/655;  
H04N 5/645; H04N 7/00  
See application file for complete search history.

(56) **References Cited**

**U.S. PATENT DOCUMENTS**

D587,665 S \* 3/2009 Isshiki ..... D14/126  
D603,817 S \* 11/2009 Kim et al. .... D14/126

(Continued)

**FOREIGN PATENT DOCUMENTS**

CN 201030708326.2 S 11/2011  
CN 201130223389.3 S 1/2012

(Continued)

*Primary Examiner* — Robert M Spear

*Assistant Examiner* — Eliza Bennett-Hattan

(74) *Attorney, Agent, or Firm* — Fishman Stewart Yamaguchi PLLC

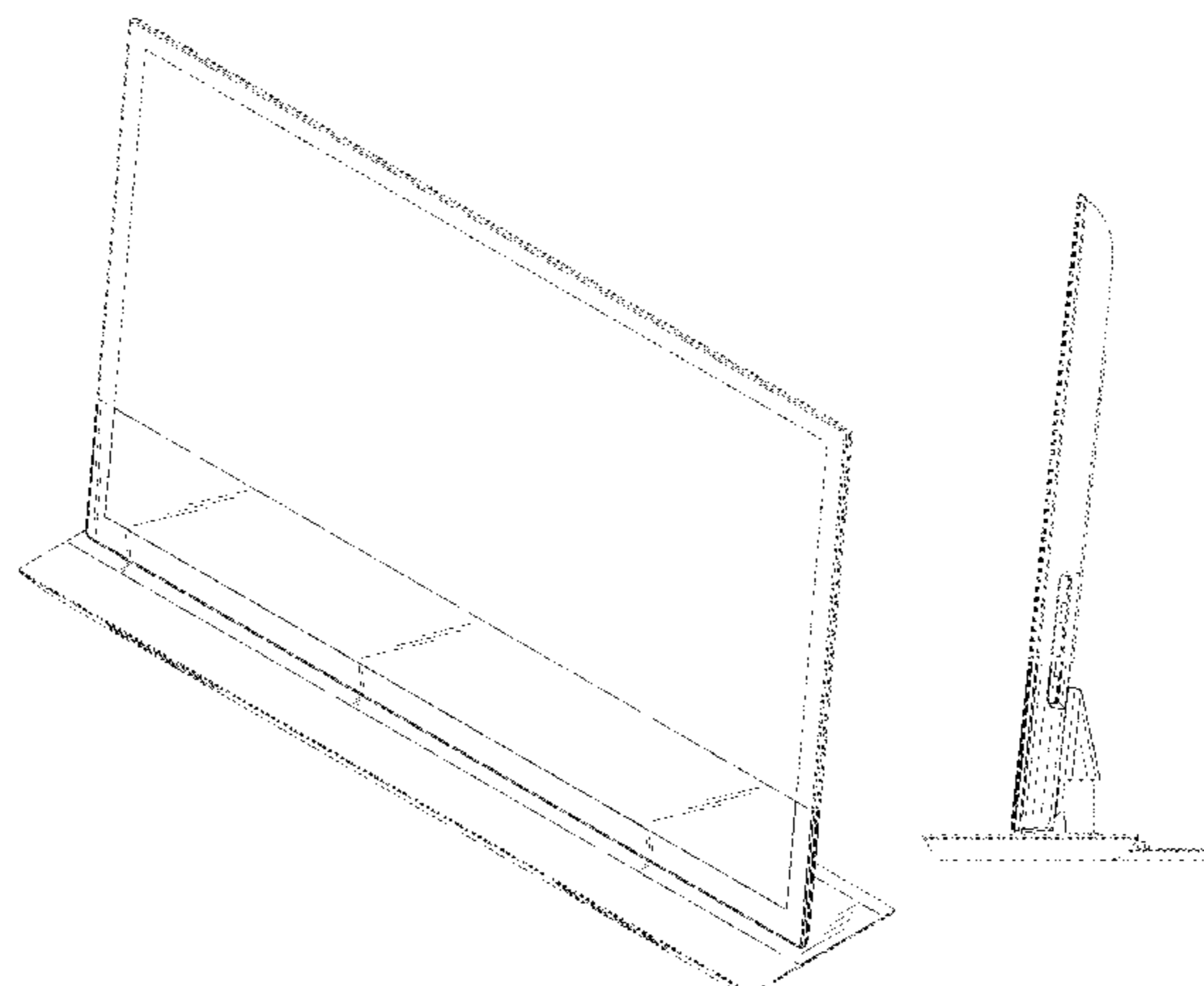
(57) **CLAIM**

The ornamental design for a television receiver, as shown and described.

**DESCRIPTION**

FIG. 1 is a perspective view of a television receiver showing our new design;  
FIG. 2 is another perspective view thereof;  
FIG. 3 is a front elevational view thereof;  
FIG. 4 is a rear elevational view thereof;  
FIG. 5 is a top plan view thereof;  
FIG. 6 is a left side elevational view thereof;  
FIG. 7 is a right side elevational view thereof.  
FIG. 8 is an enlarged perspective view thereof showing a left half claimed portion of FIG. 1;  
FIG. 9 is an enlarged perspective view thereof showing a right half claimed portion of FIG. 1;  
FIG. 10 is an enlarged perspective view thereof showing a left half claimed portion of FIG. 2;  
FIG. 11 is an enlarged perspective view thereof showing a right half claimed portion of FIG. 2;  
FIG. 12 is an enlarged front elevational view thereof showing a left half claimed portion of FIG. 3;  
FIG. 13 is an enlarged front elevational view thereof showing a right half claimed portion of FIG. 3;  
FIG. 14 is an enlarged rear elevational view thereof showing a left half claimed portion of FIG. 4;  
FIG. 15 is an enlarged rear elevational view thereof showing a right half claimed portion of FIG. 4;  
FIG. 16 is an enlarged top plan view thereof showing a left half claimed portion of FIG. 5;  
FIG. 17 is an enlarged top plan view thereof showing a right half claimed portion of FIG. 5;  
FIG. 18 is an enlarged left side elevational view thereof showing a claimed portion of FIG. 6; and,  
FIG. 19 is an enlarged right side elevational view thereof showing a claimed portion of FIG. 7.  
The broken lines in the drawing depict environmental subject matter only and form no part of the claimed design. Dot-dash broken lines define the boundaries of, but not included in, the claimed design.

**1 Claim, 19 Drawing Sheets**



(56)

**References Cited**

D692,404 S \* 10/2013 Zuege ..... D14/126  
D694,206 S \* 11/2013 Seo et al. .... D14/126

U.S. PATENT DOCUMENTS

D608,314 S \* 1/2010 Boo et al. .... D14/126  
D642,551 S \* 8/2011 Chong et al. .... D14/126  
D648,335 S 11/2011 Shiono  
D658,613 S \* 5/2012 Lee et al. .... D14/126  
D667,806 S \* 9/2012 Asanuma et al. .... D14/129  
D667,826 S \* 9/2012 Lee et al. .... D14/374  
D676,006 S \* 2/2013 Choi et al. .... D14/126  
D677,637 S \* 3/2013 Kubota ..... D14/126  
D689,453 S \* 9/2013 Chen et al. .... D14/126  
D689,454 S \* 9/2013 Shih ..... D14/126

FOREIGN PATENT DOCUMENTS

CN 201130223420.3 S 1/2012  
JP D1402151 S 11/2010  
JP D1402152 S 11/2010  
JP D1402153 S 11/2010  
JP D1402154 S 11/2010  
JP D1402530 S 11/2010  
JP D1402531 S 11/2010

\* cited by examiner

FIG.1

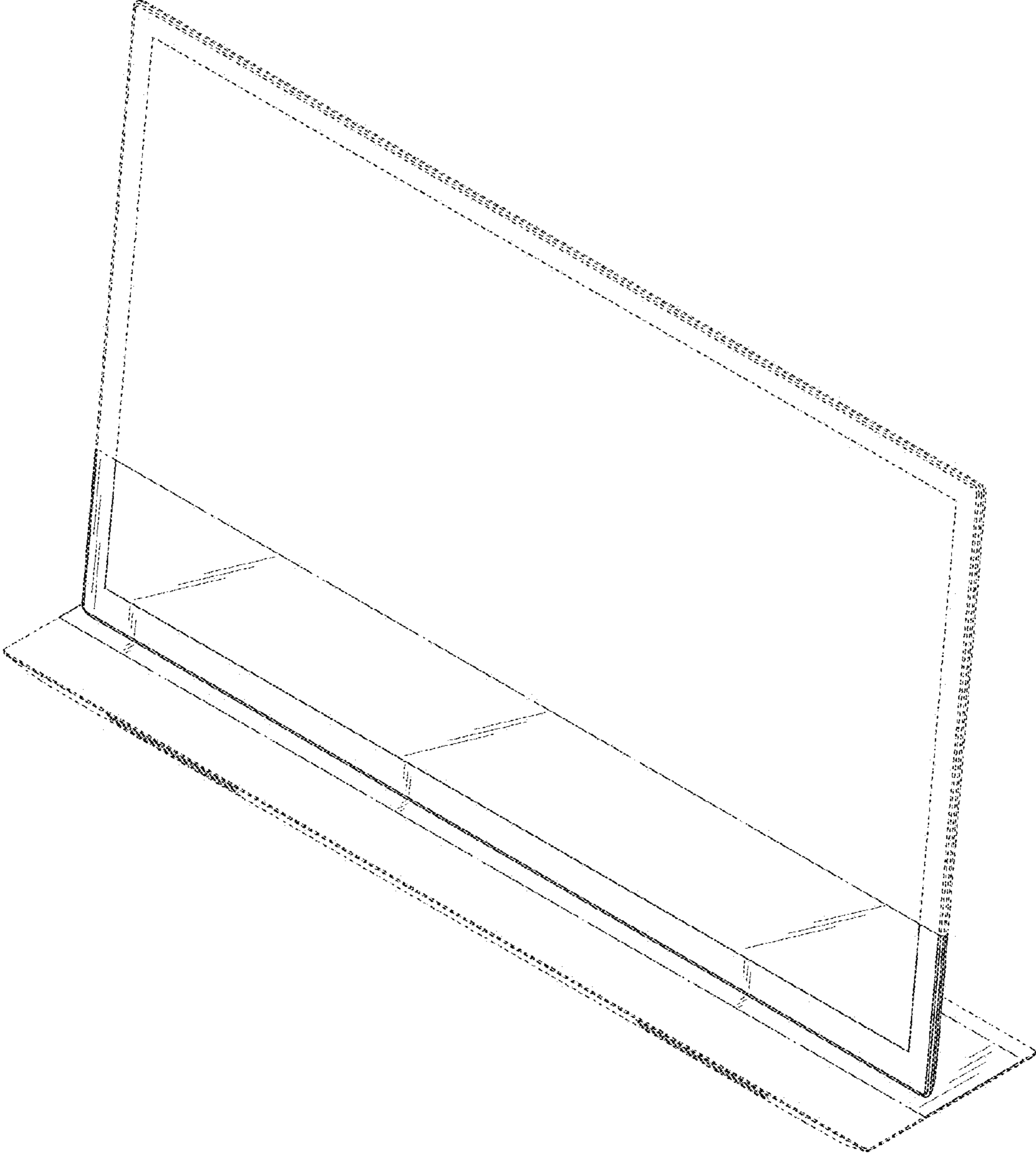


FIG.2

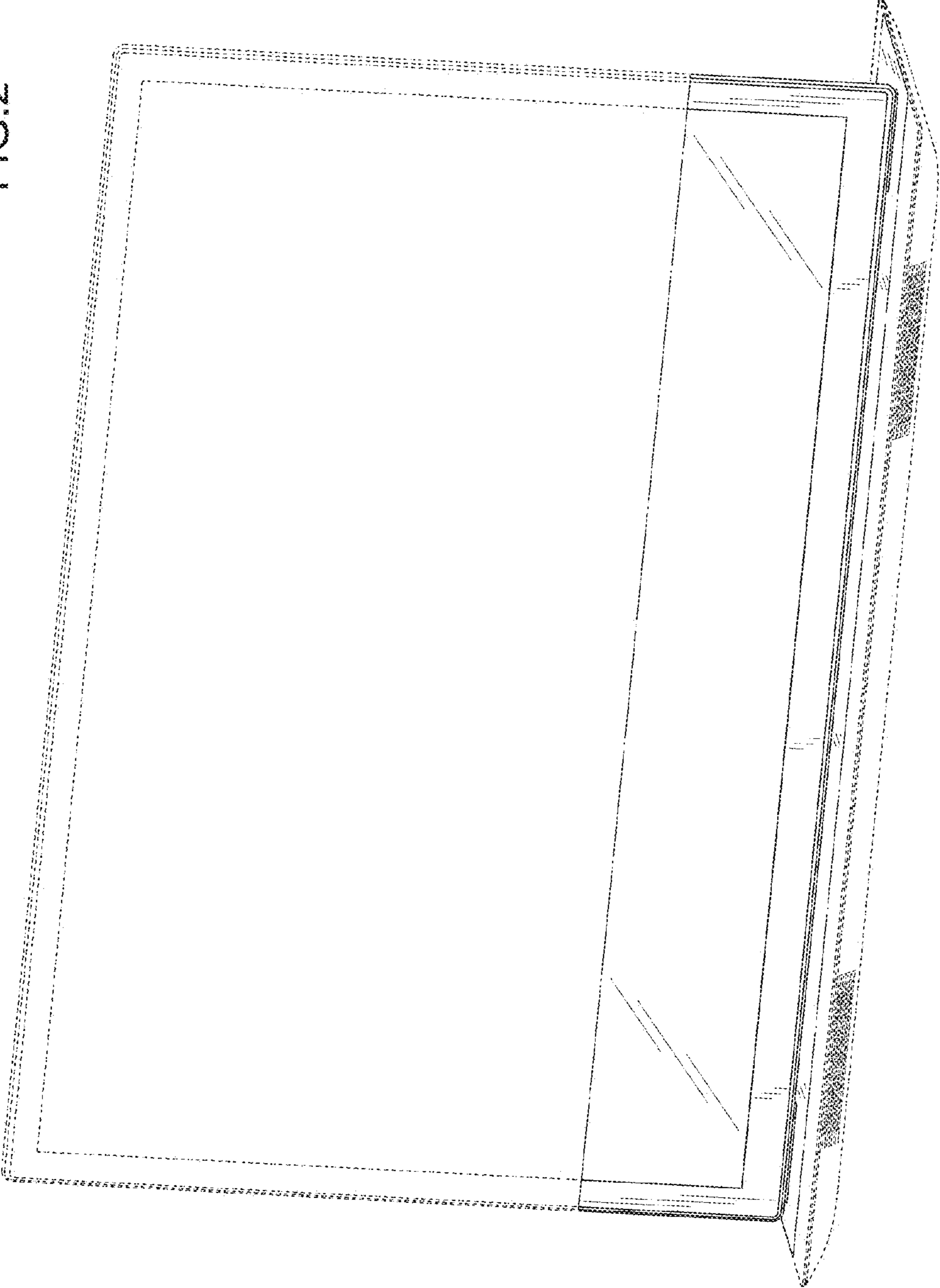


FIG.3

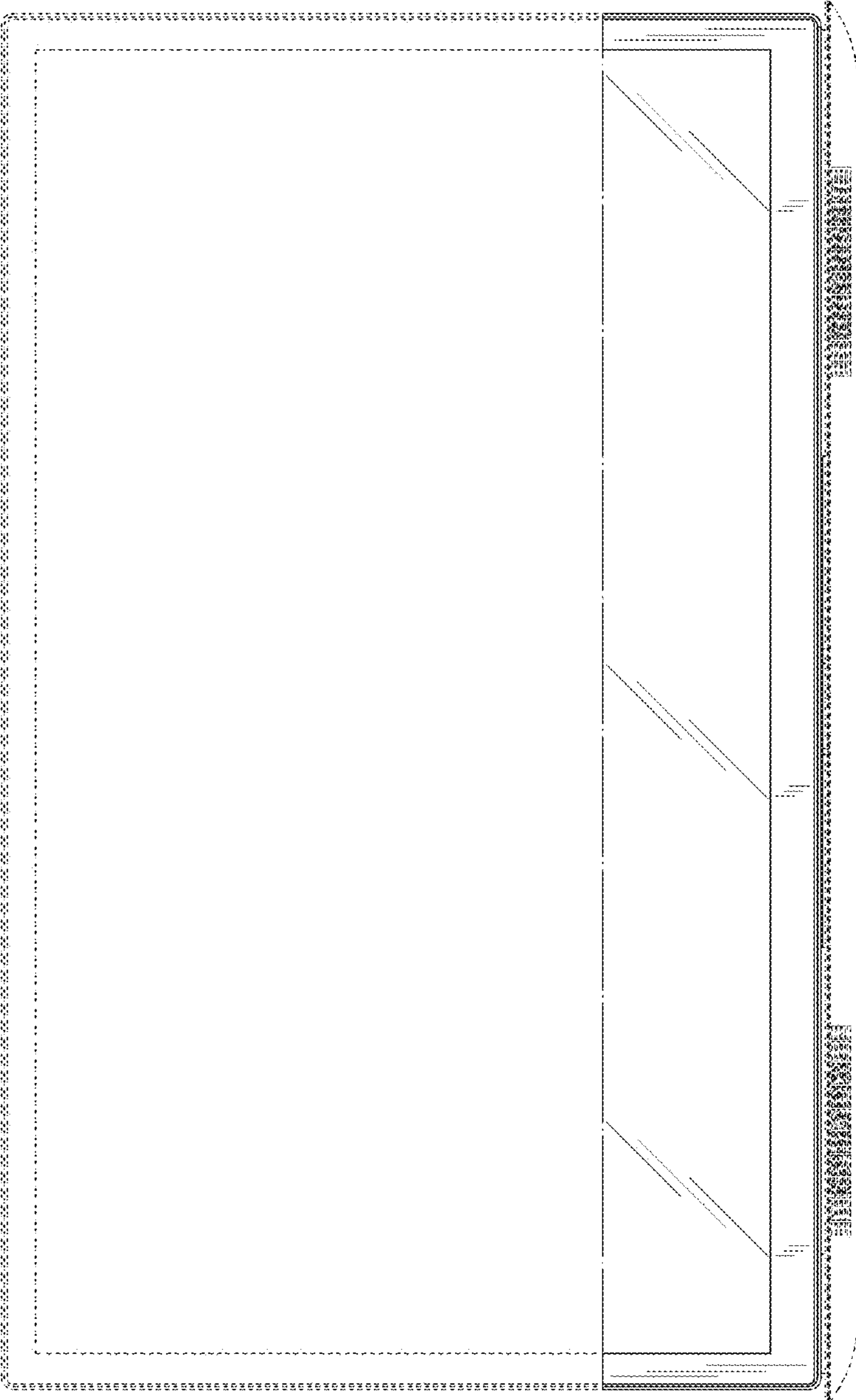


FIG.4

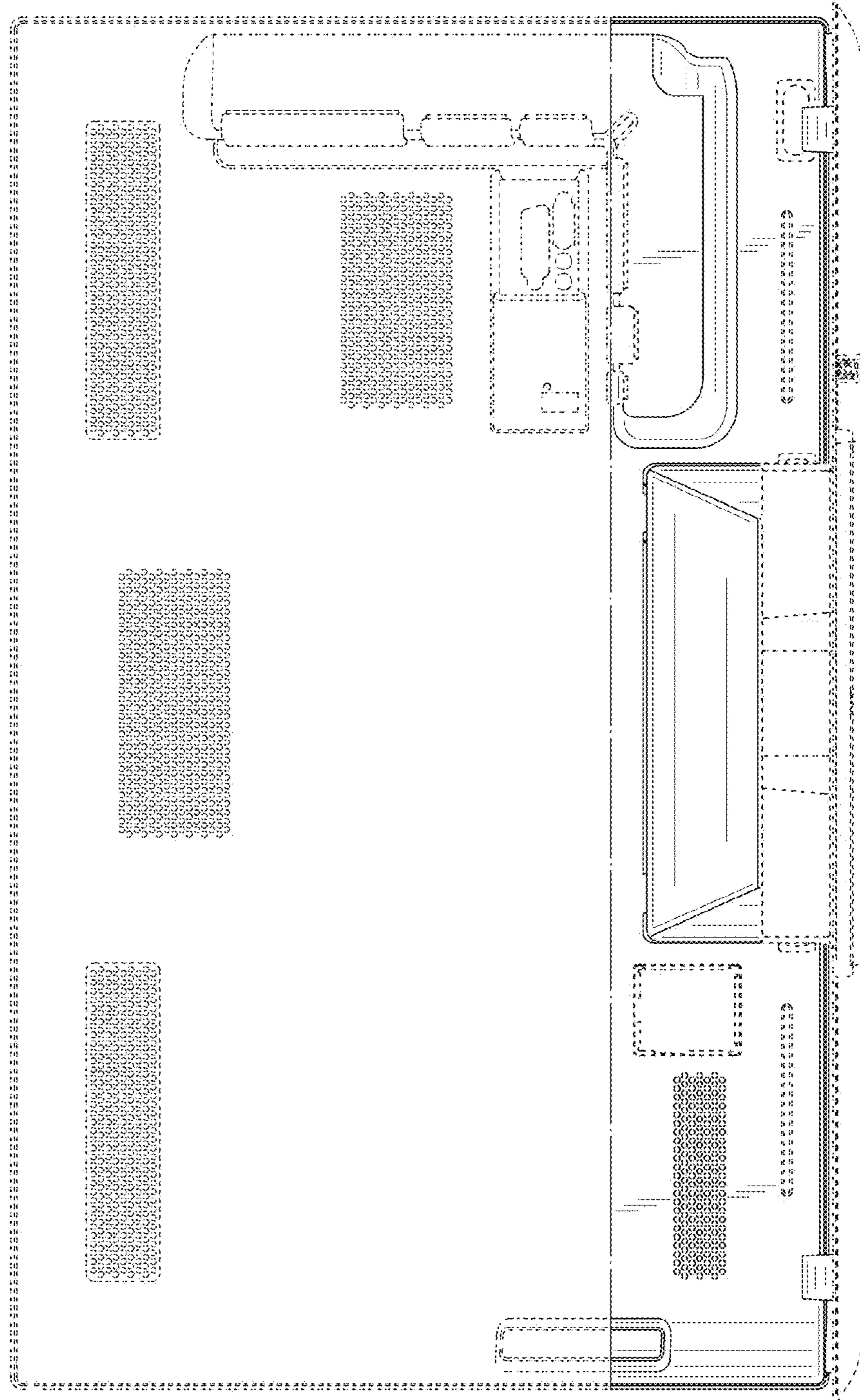


FIG. 5

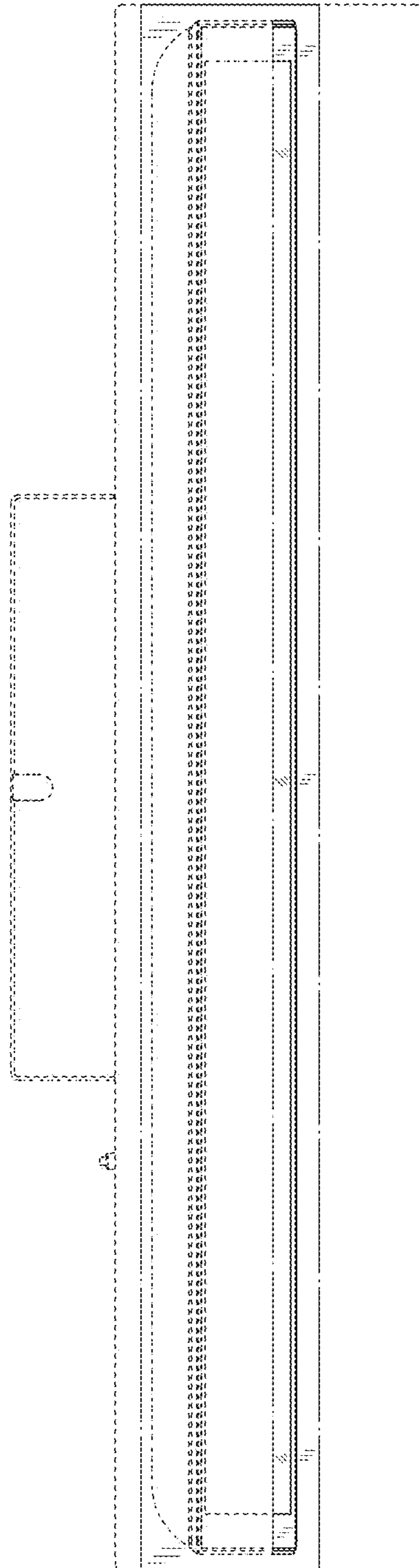


FIG.6

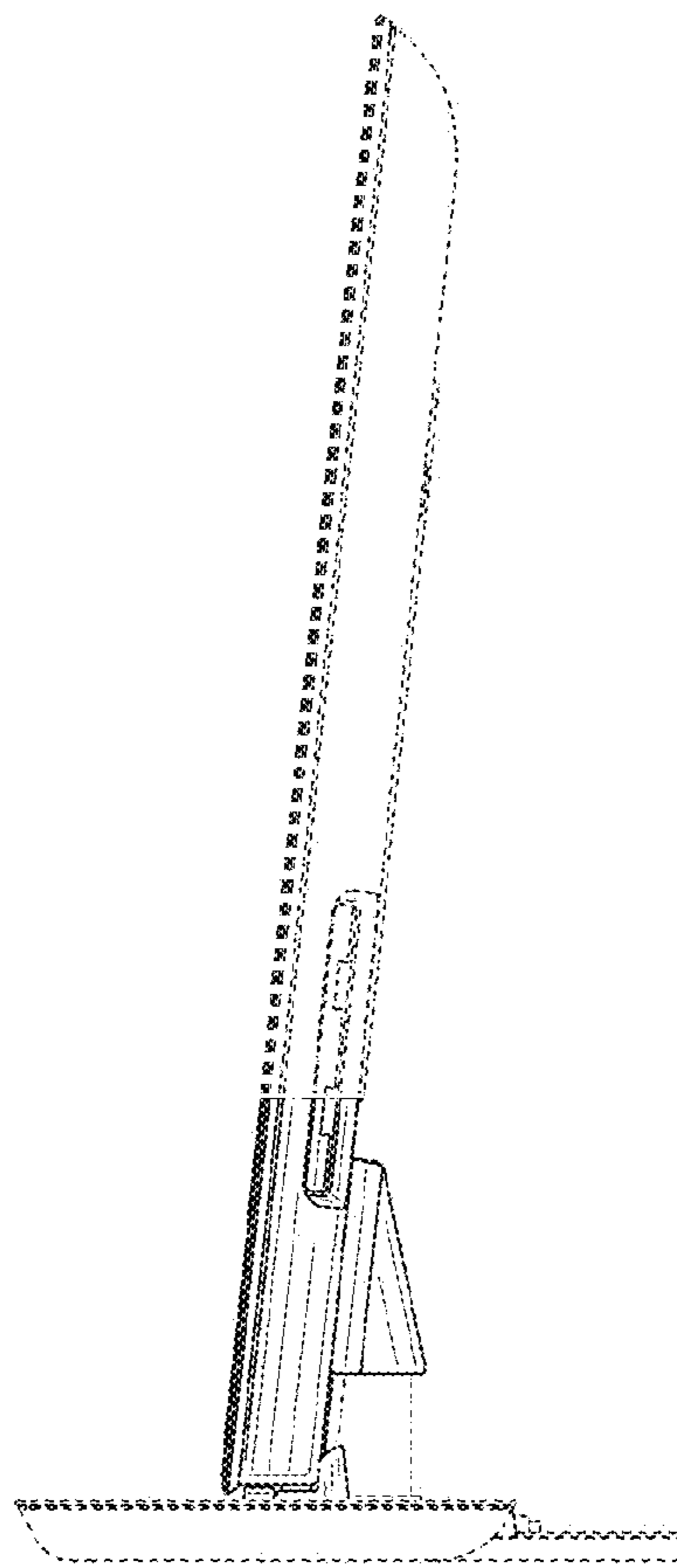




FIG. 7

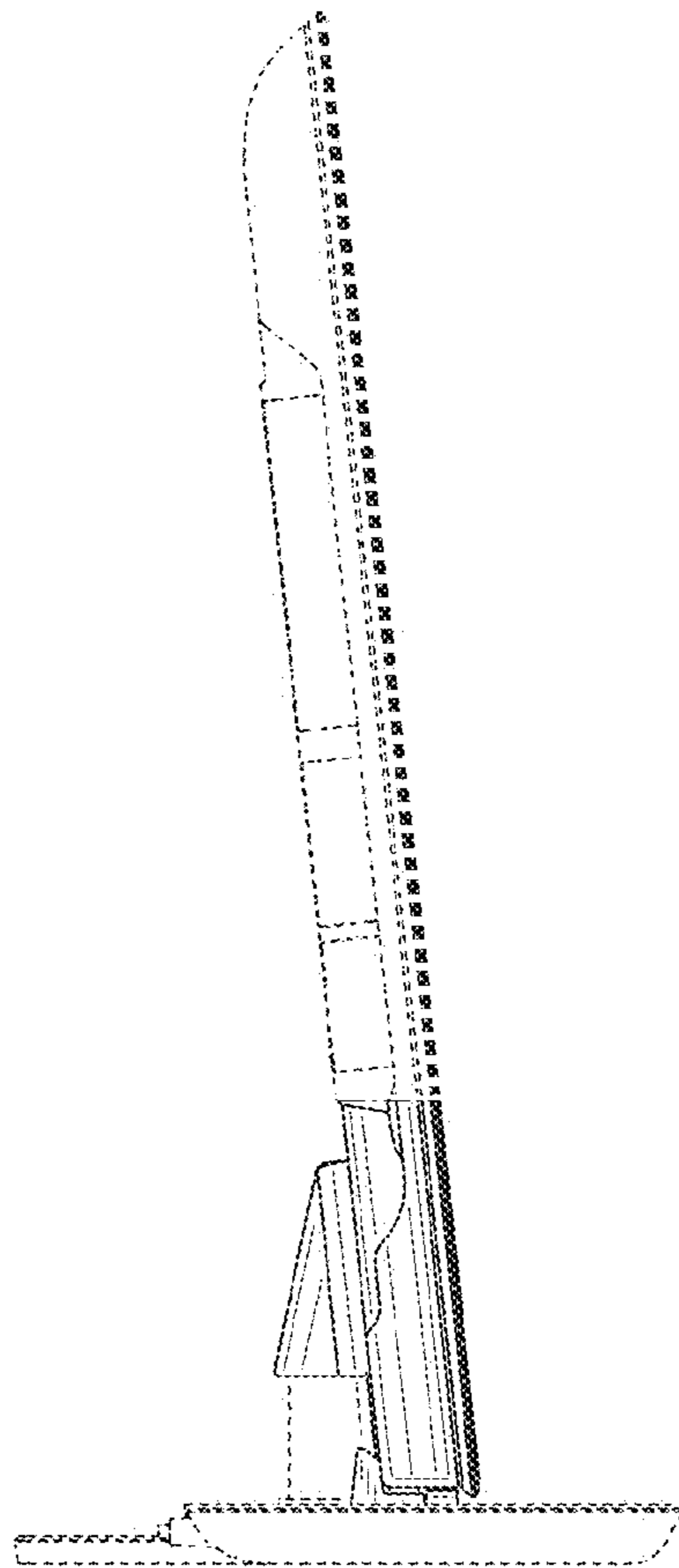


FIG. 8

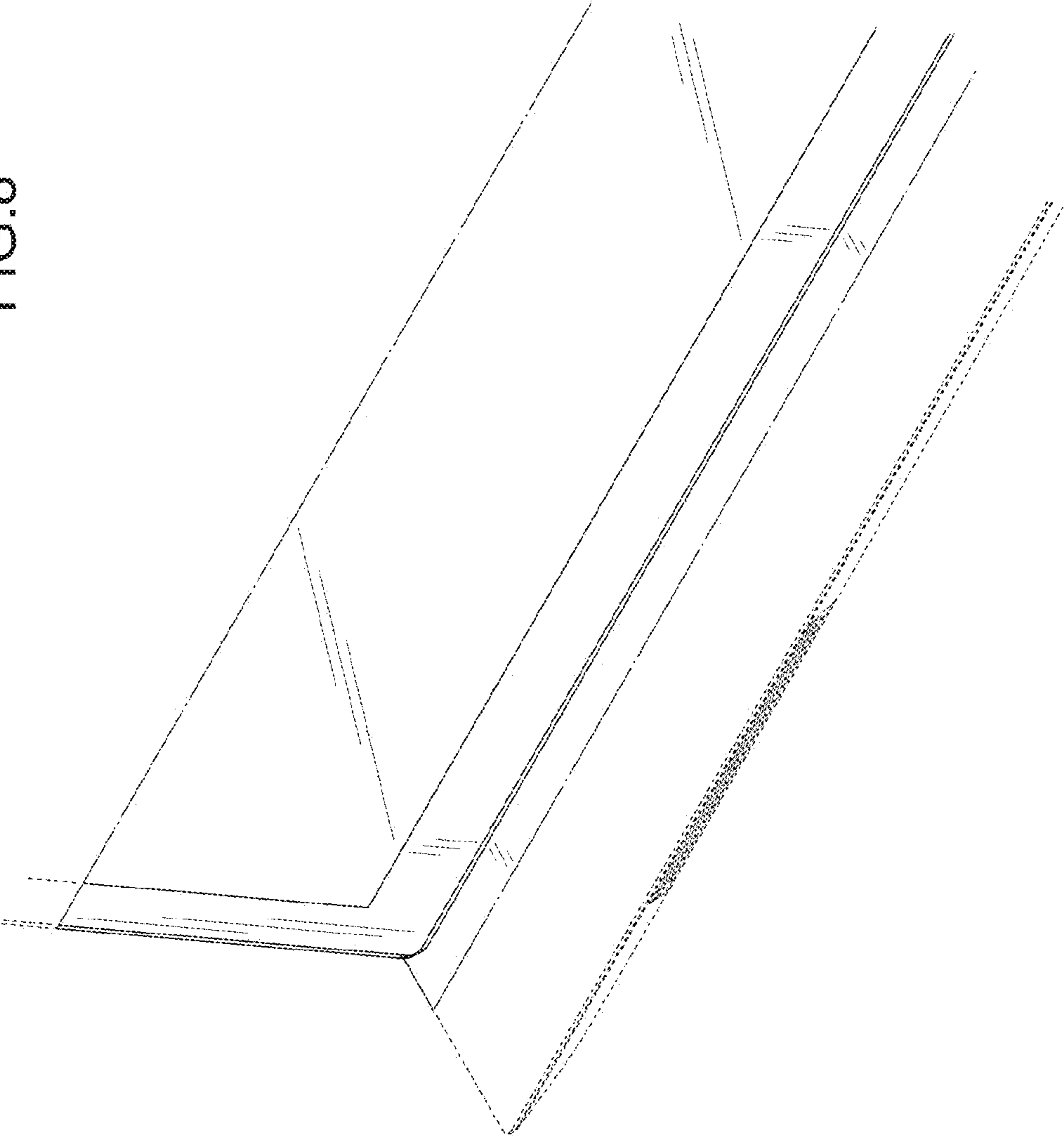


FIG. 9

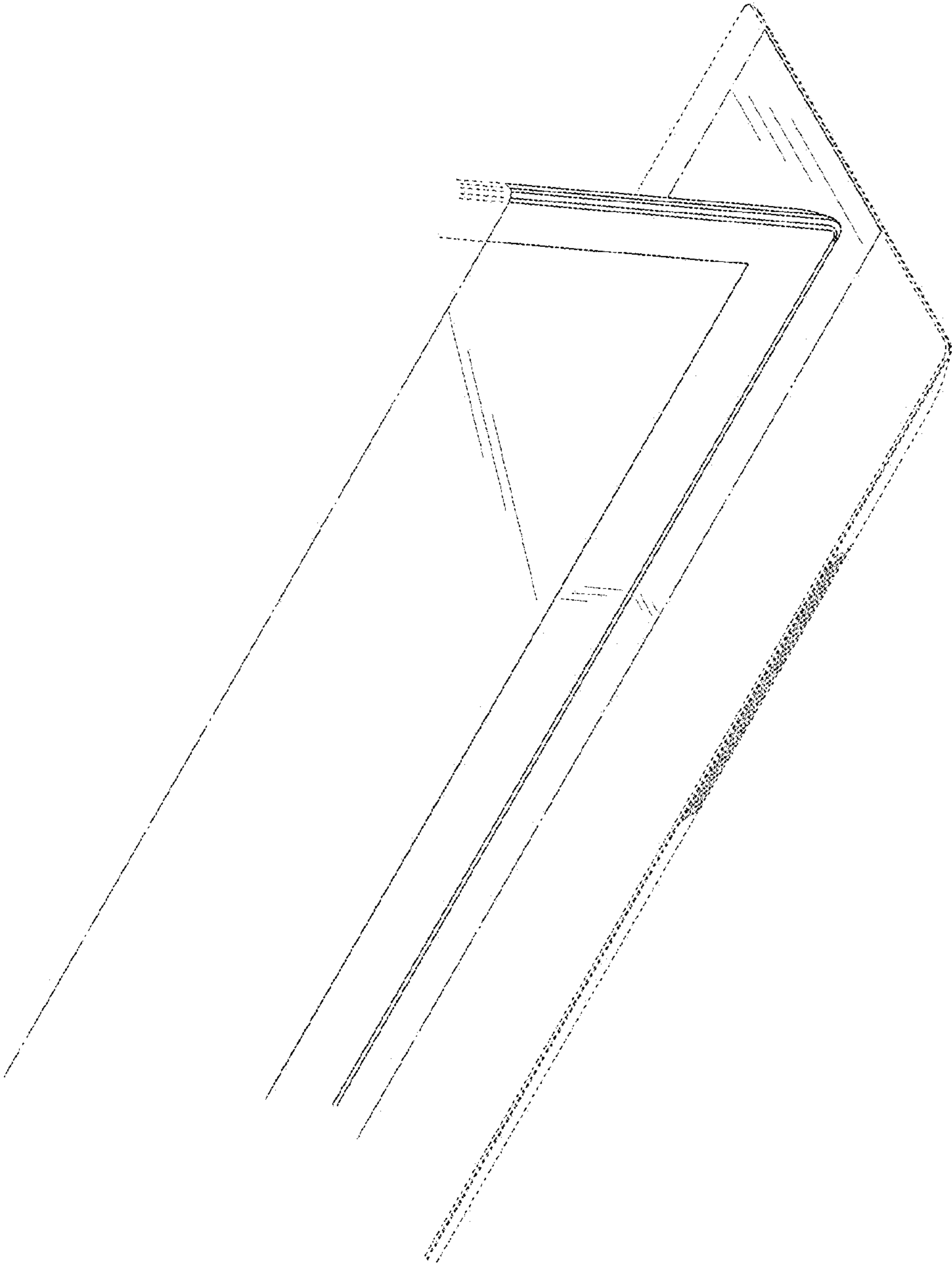


FIG.10

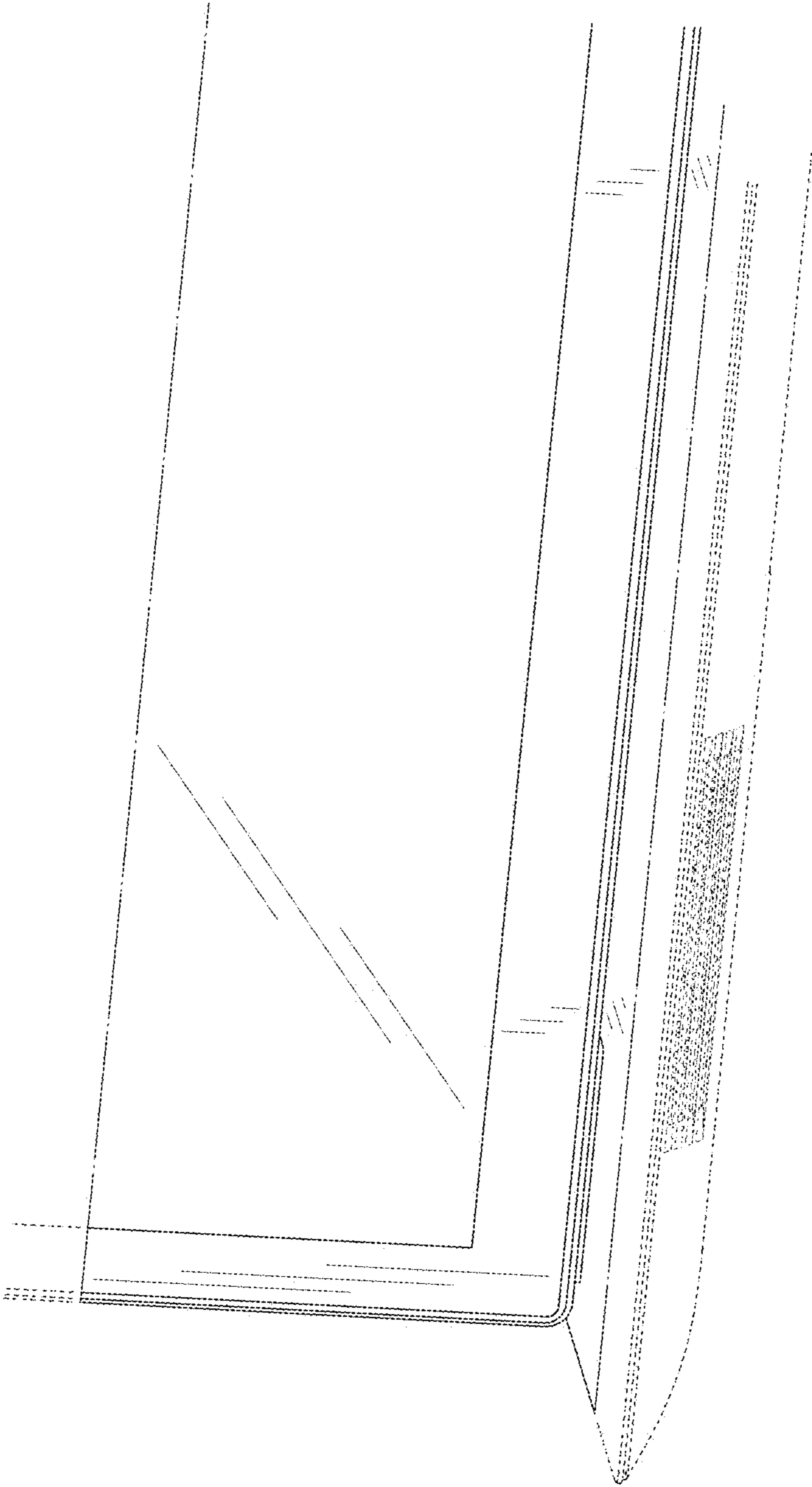


FIG. 11

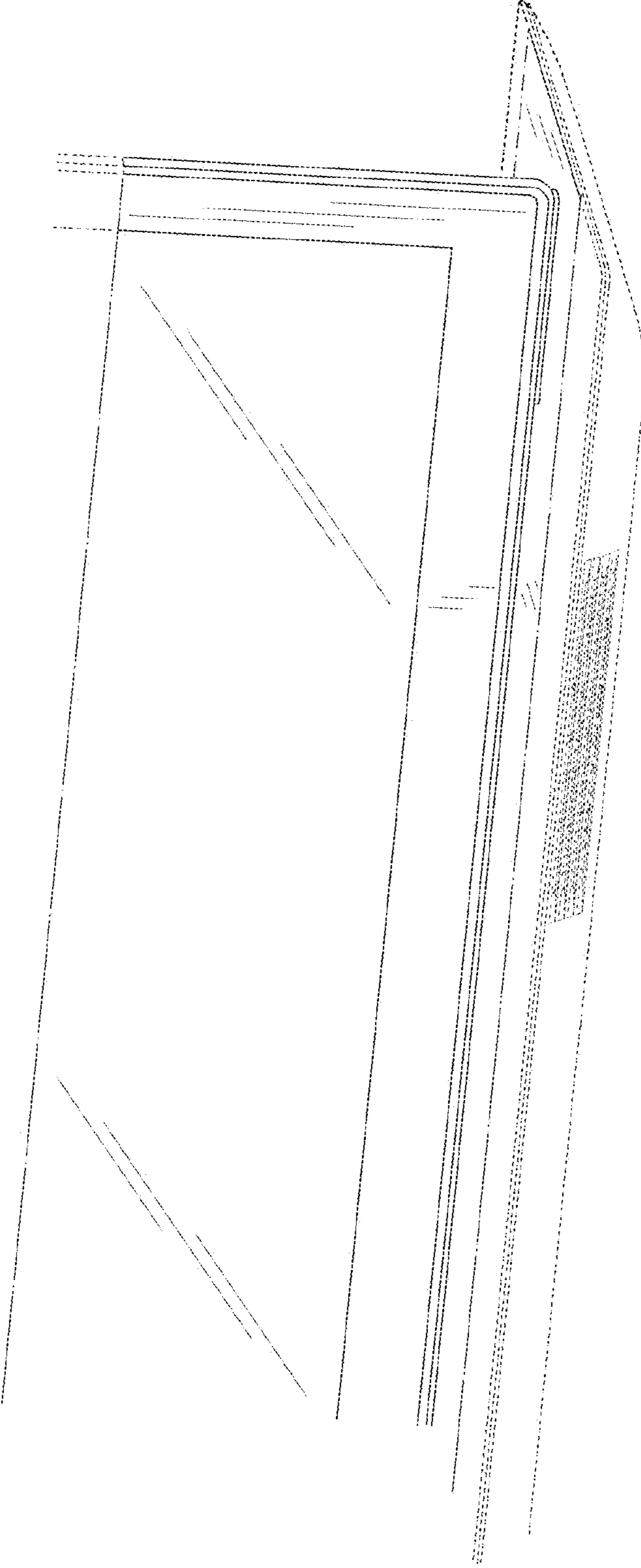


FIG.12

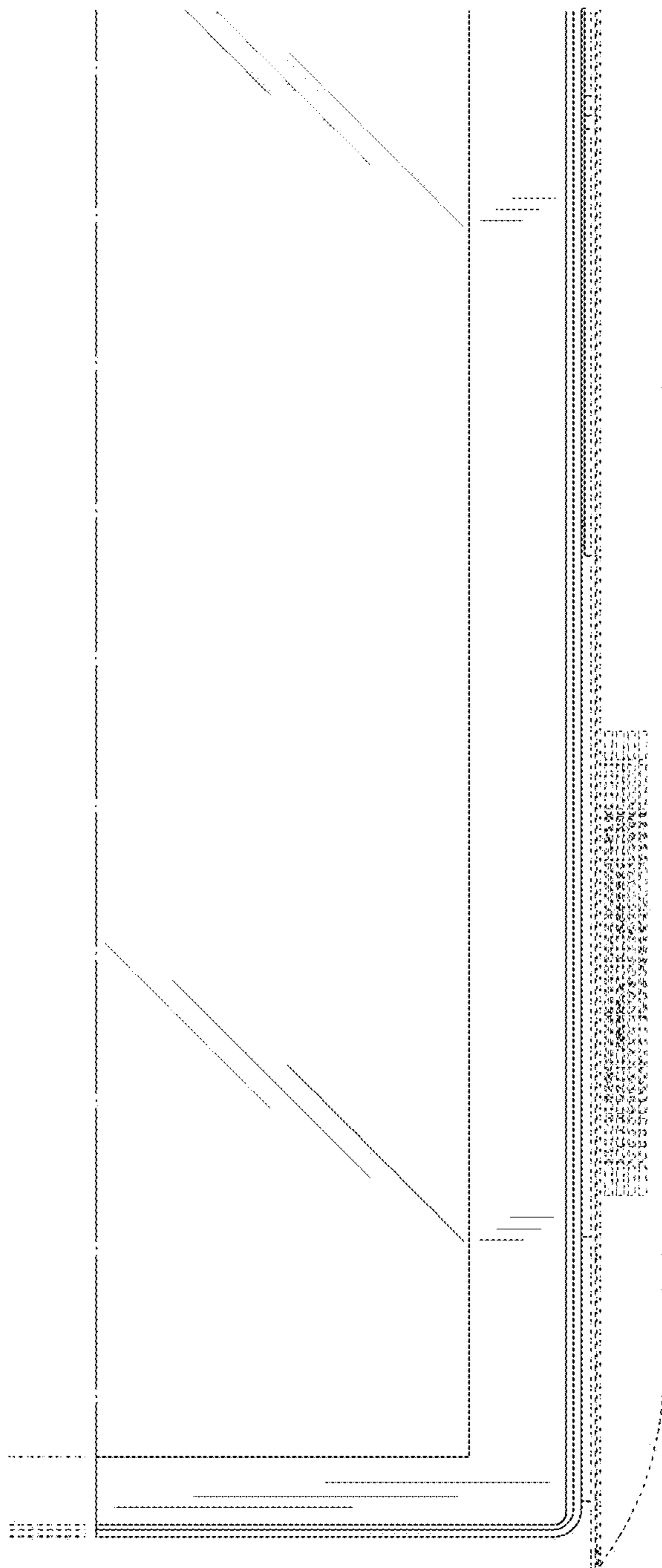


FIG.13

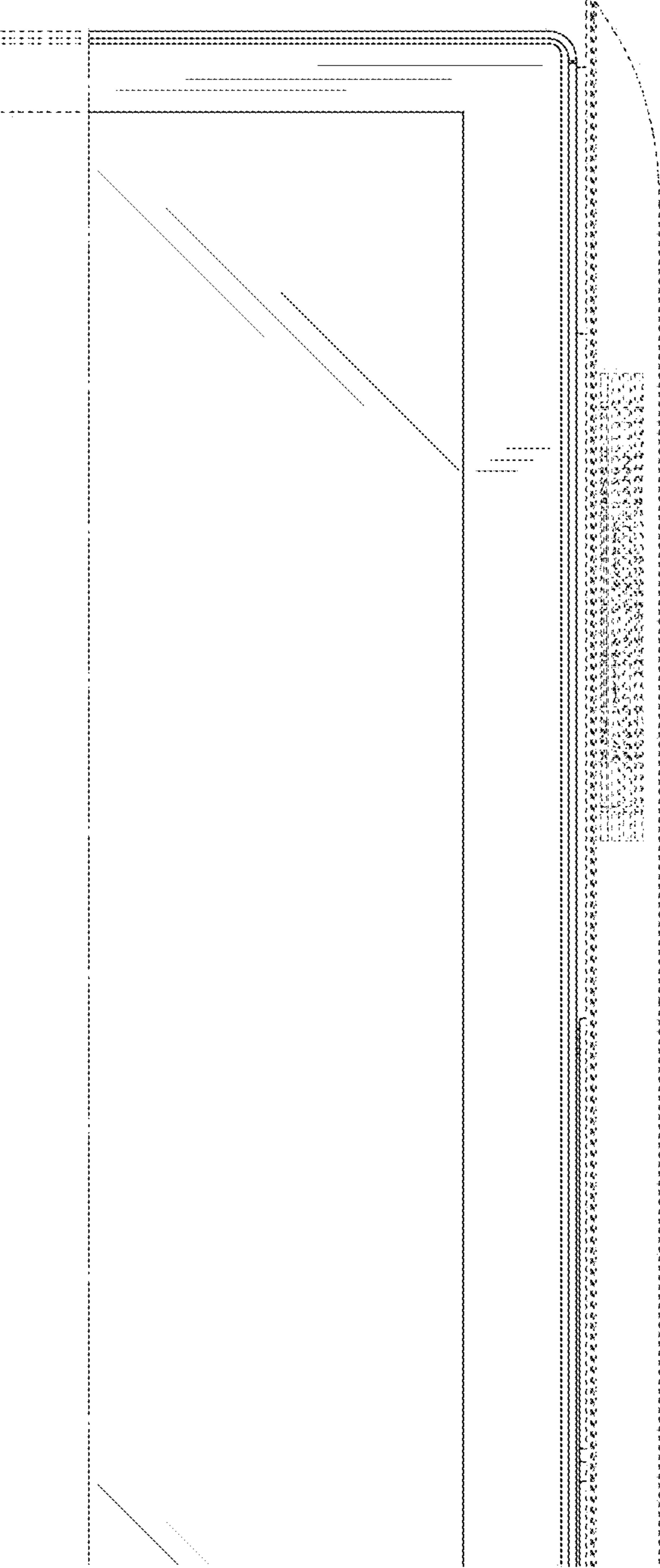


FIG. 14

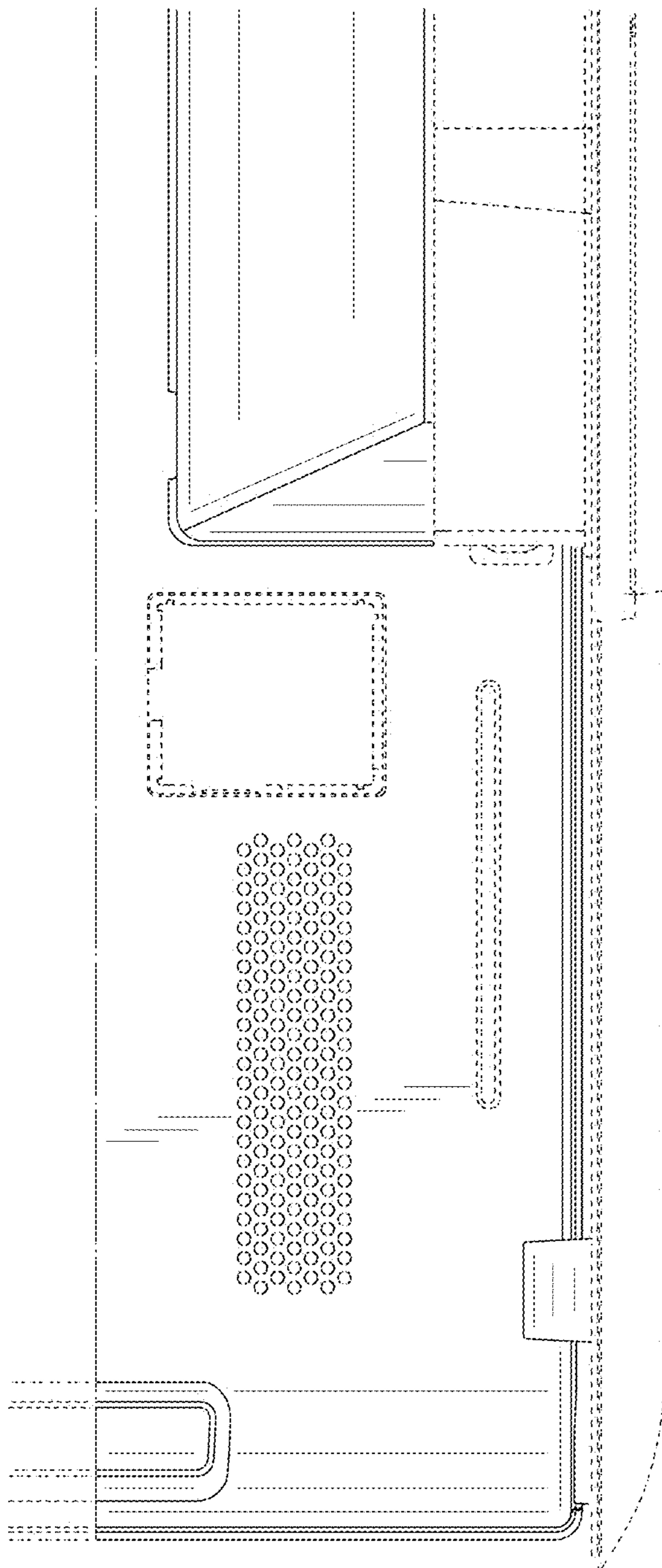




FIG. 15

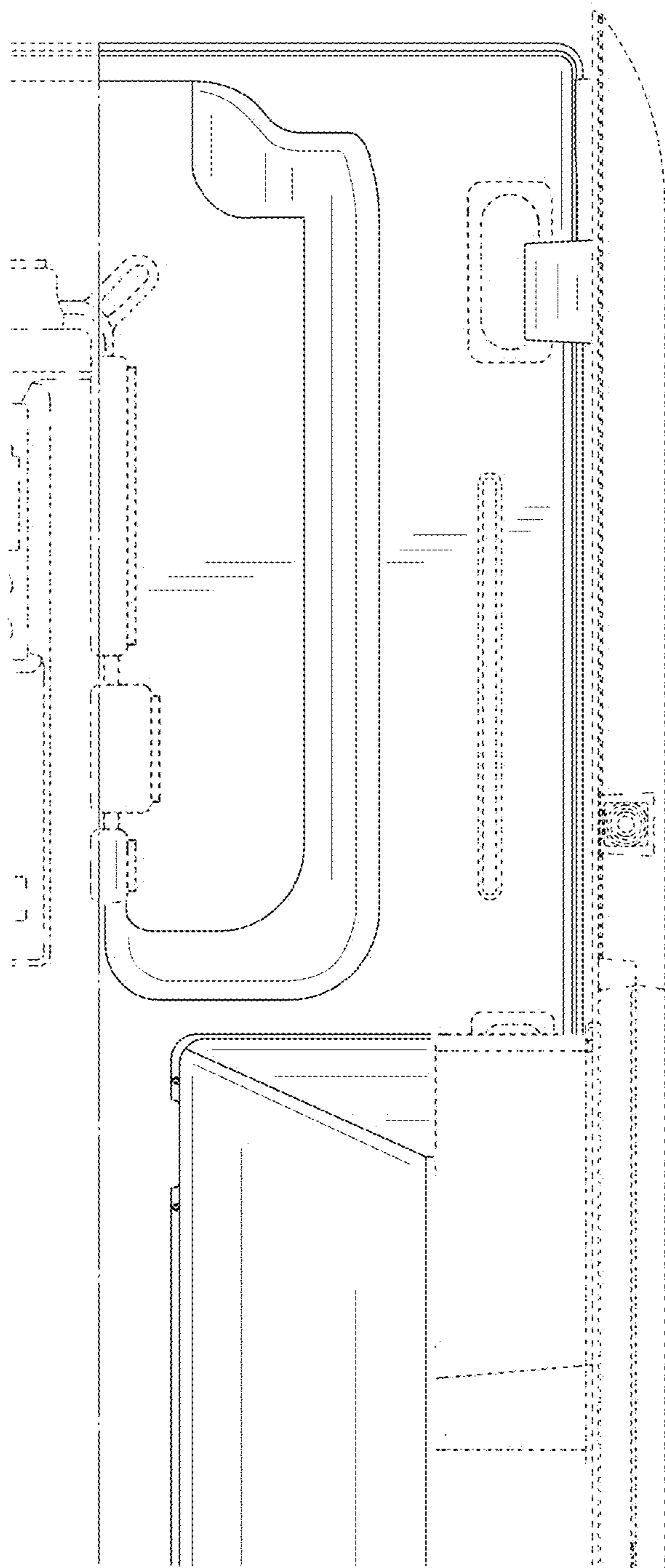


FIG. 16

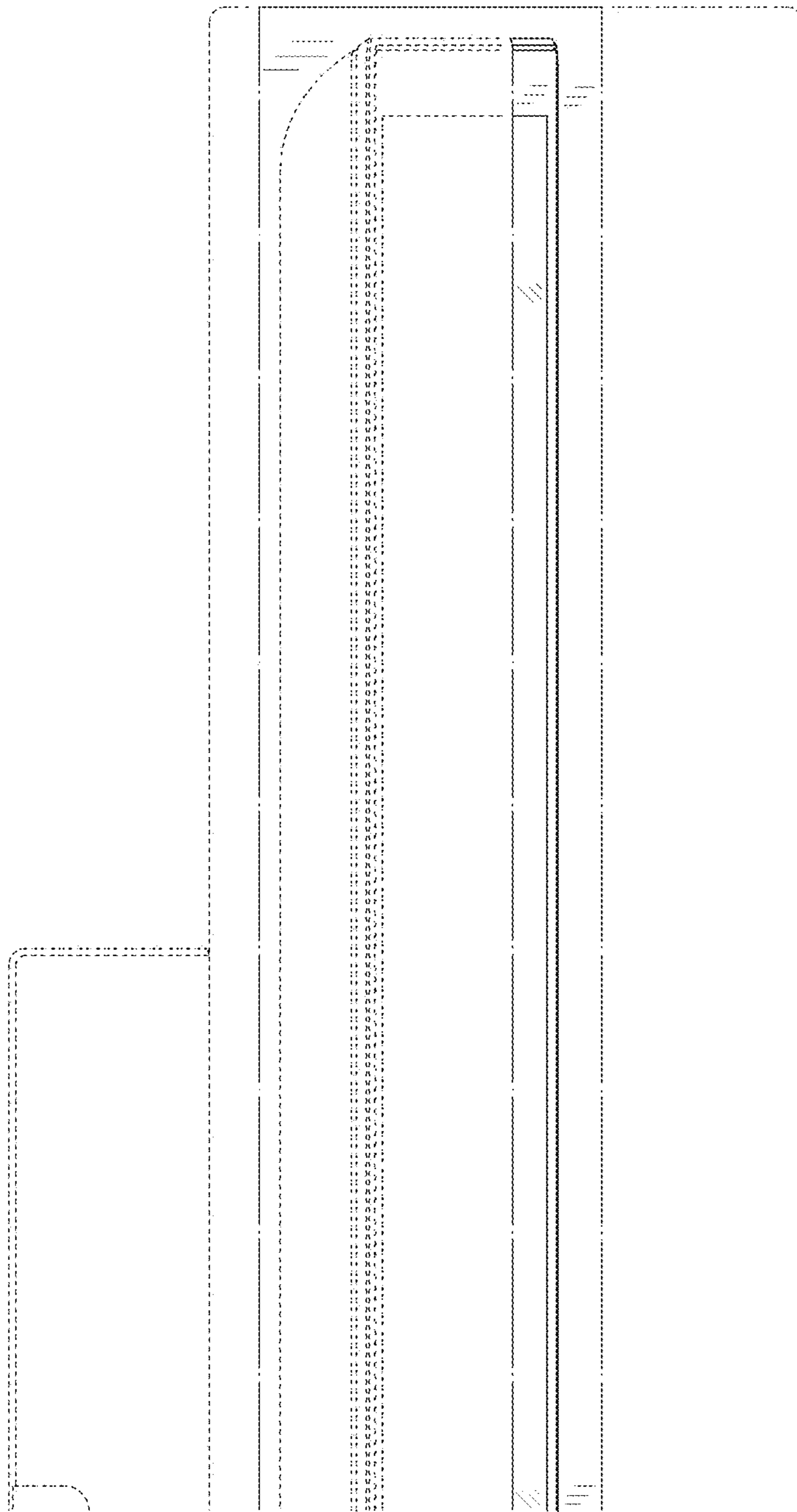


FIG.17

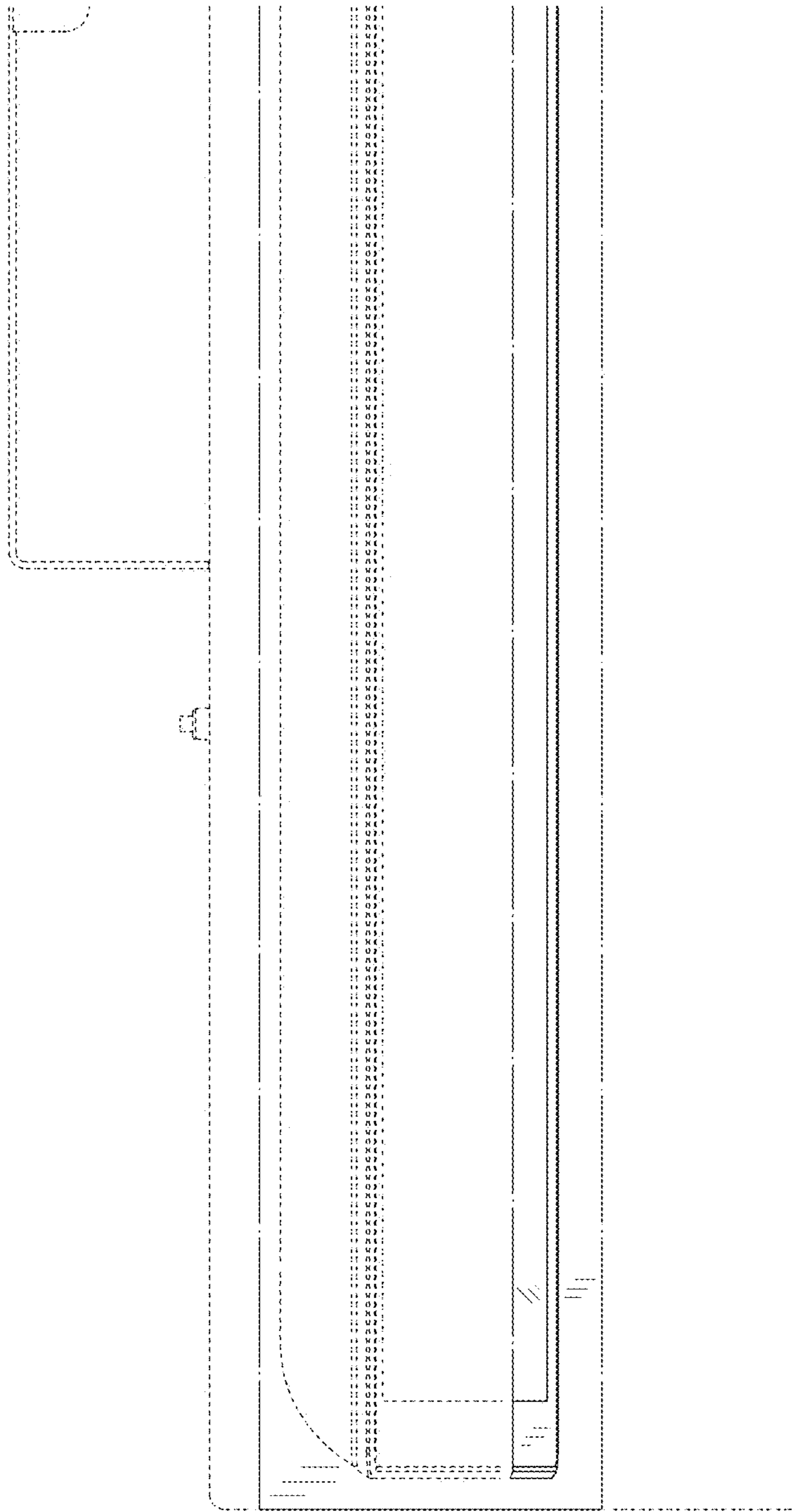


FIG.18

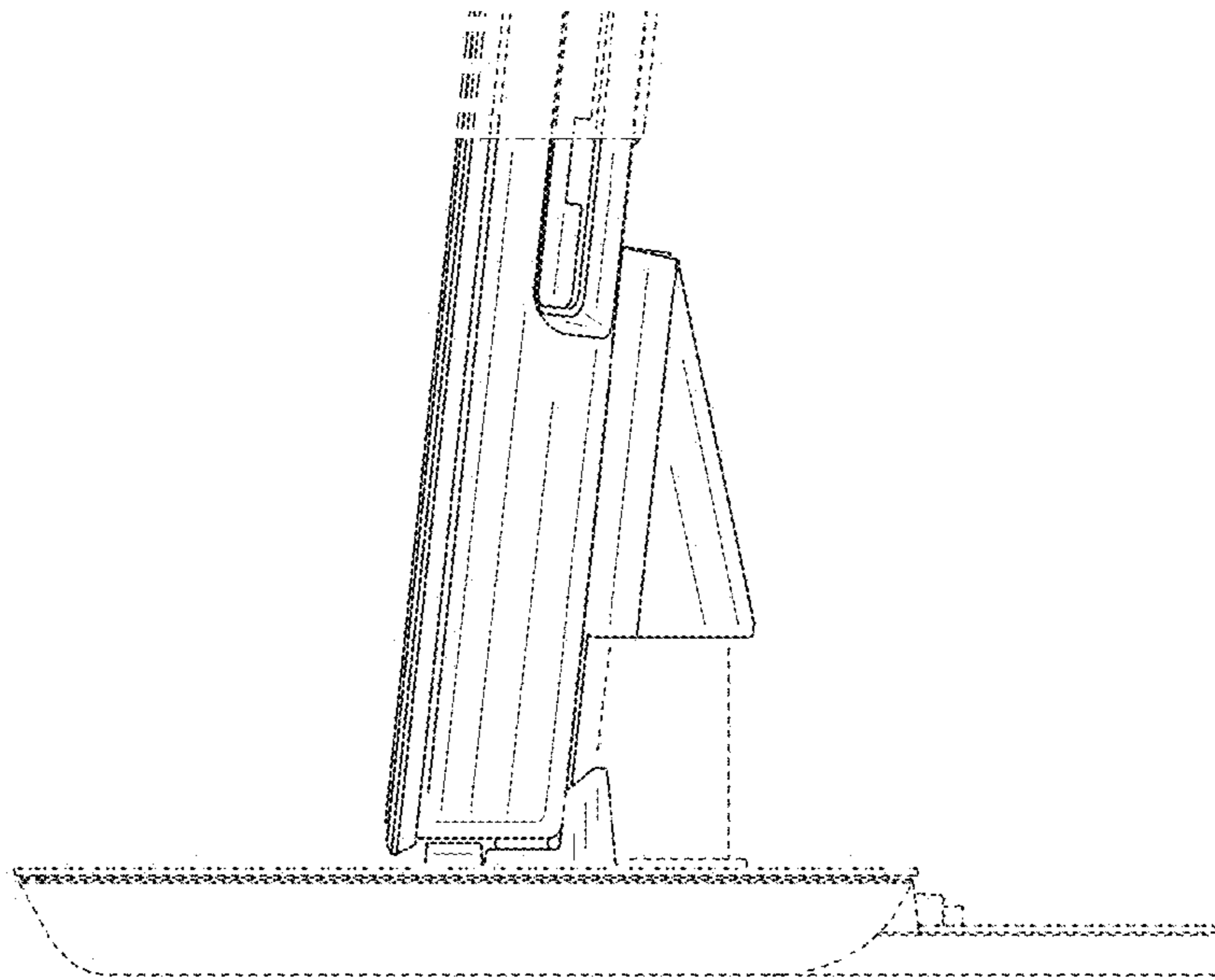


FIG. 19

